



US00D402689S

United States Patent [19]

Brown et al.

[11] Patent Number: **Des. 402,689**

[45] Date of Patent: ****Dec. 15, 1998**

[54] **INKJET PRINTER**

[75] Inventors: **Stephen G Brown; Michael K. Bowen; Richard Olson; Michael S Millman**, all of Vancouver; **Robert M Yraceburu**, Circle Camas; **Michael W Munro; Dean A Gaylor**, both of Vancouver, all of Wash.

[73] Assignee: **Hewlett-Packard Company**, Palo Alto, Calif.

[**] Term: **14 Years**

[21] Appl. No.: **71,903**

[22] Filed: **May 27, 1997**

[51] **LOC (6) Cl.** **14-02**

[52] **U.S. Cl.** **D18/55**

[58] **Field of Search** D18/50, 54-55, D18/36-37; 400/690.1-690.4, 613, 613.1-613.4, 691-694

[56] **References Cited**

U.S. PATENT DOCUMENTS

- D. 324,234 2/1992 Tanaka D18/54
- D. 330,723 11/1992 Mitsushima et al. D18/55
- D. 333,316 2/1993 Ishizawa D18/55
- D. 340,471 10/1993 Tamamoto D18/50
- D. 343,190 1/1994 Ishizawa et al. D18/50

- D. 376,384 12/1996 Woel-Fang D18/55
- D. 378,598 3/1997 Chiba et al. D18/55
- D. 379,195 5/1997 Stanton D18/50
- D. 379,469 5/1997 Nobata D18/50
- D. 379,827 6/1997 Andre D18/54
- D. 386,515 11/1997 Sommerville et al. D18/50
- D. 388,455 12/1997 Tanabe D18/55
- D. 395,332 6/1998 Leong et al. D18/36
- 5,707,162 1/1998 Kasai et al. 400/692

Primary Examiner—Cathy Anne MacCormac
Attorney, Agent, or Firm—Flory L. Martin

[57] **CLAIM**

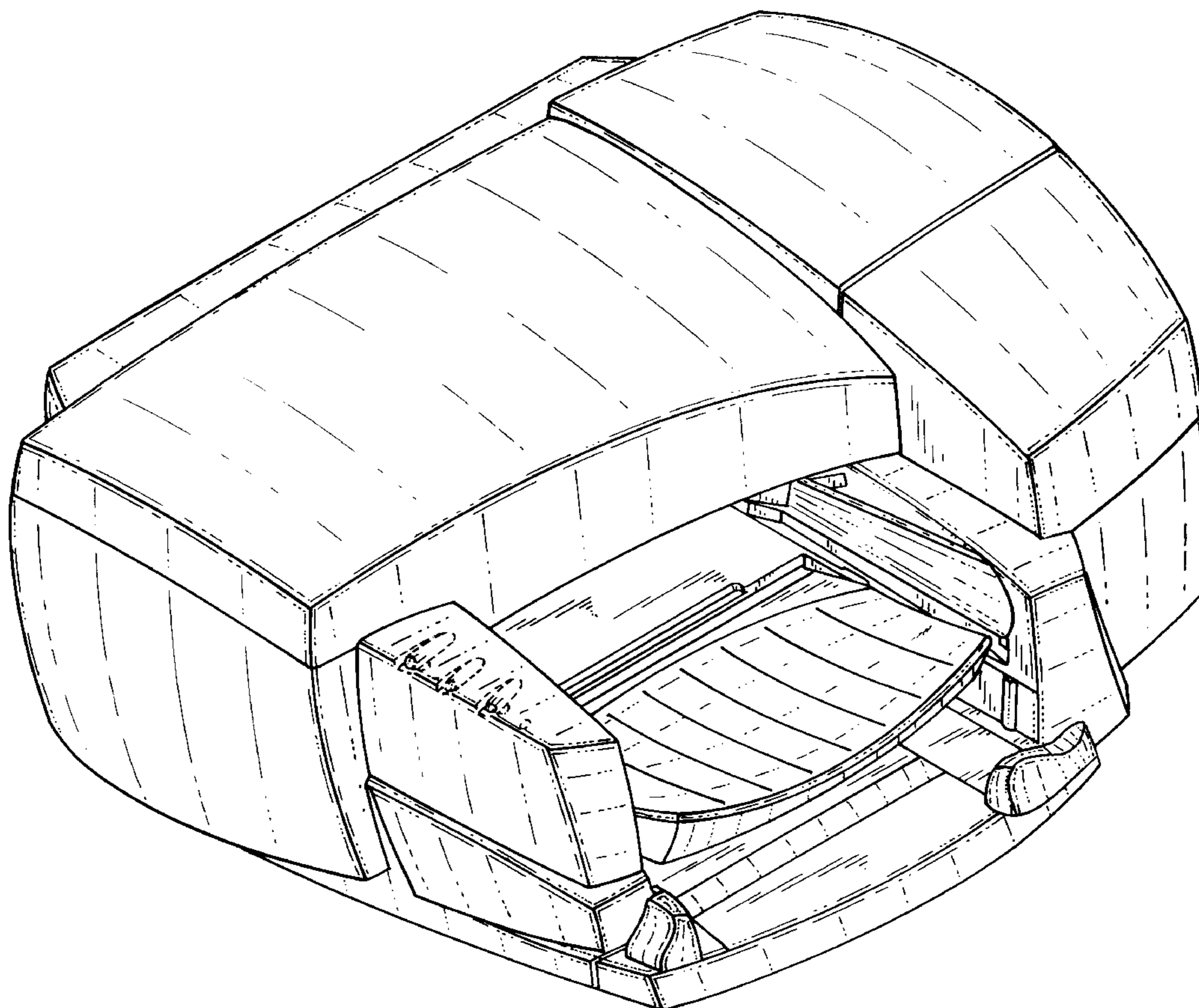
The ornamental design for a inkjet printer, substantially, as shown and described.

DESCRIPTION

FIG. 1 is a perspective view of an inkjet printer in accordance with the present invention; FIG. 2 is a top plan view thereof; FIG. 3 is a front elevational view thereof; FIG. 4 is a left side elevational view thereof; FIG. 5 is a rear elevational view thereof; FIG. 6 is a right side elevational view thereof; and, FIG. 7 is a bottom plan view thereof.

The broken line showing of potential electrical interconnect plugs in FIG. 4 and in FIG. 6, and of potential pushbutton keys in FIGS. 1-4, is for illustrative purposes only and forms no part of the claimed design.

1 Claim, 7 Drawing Sheets



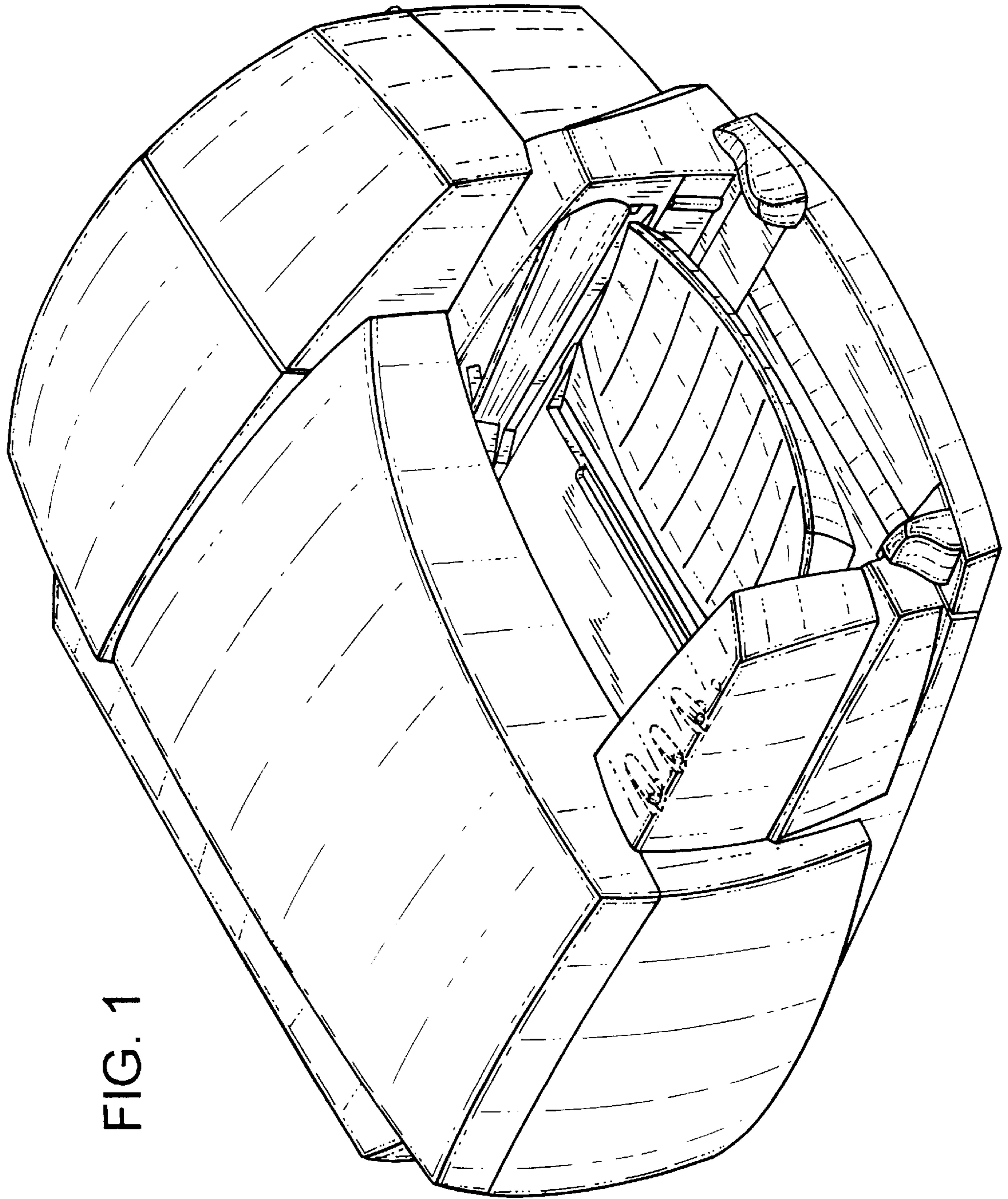


FIG. 1

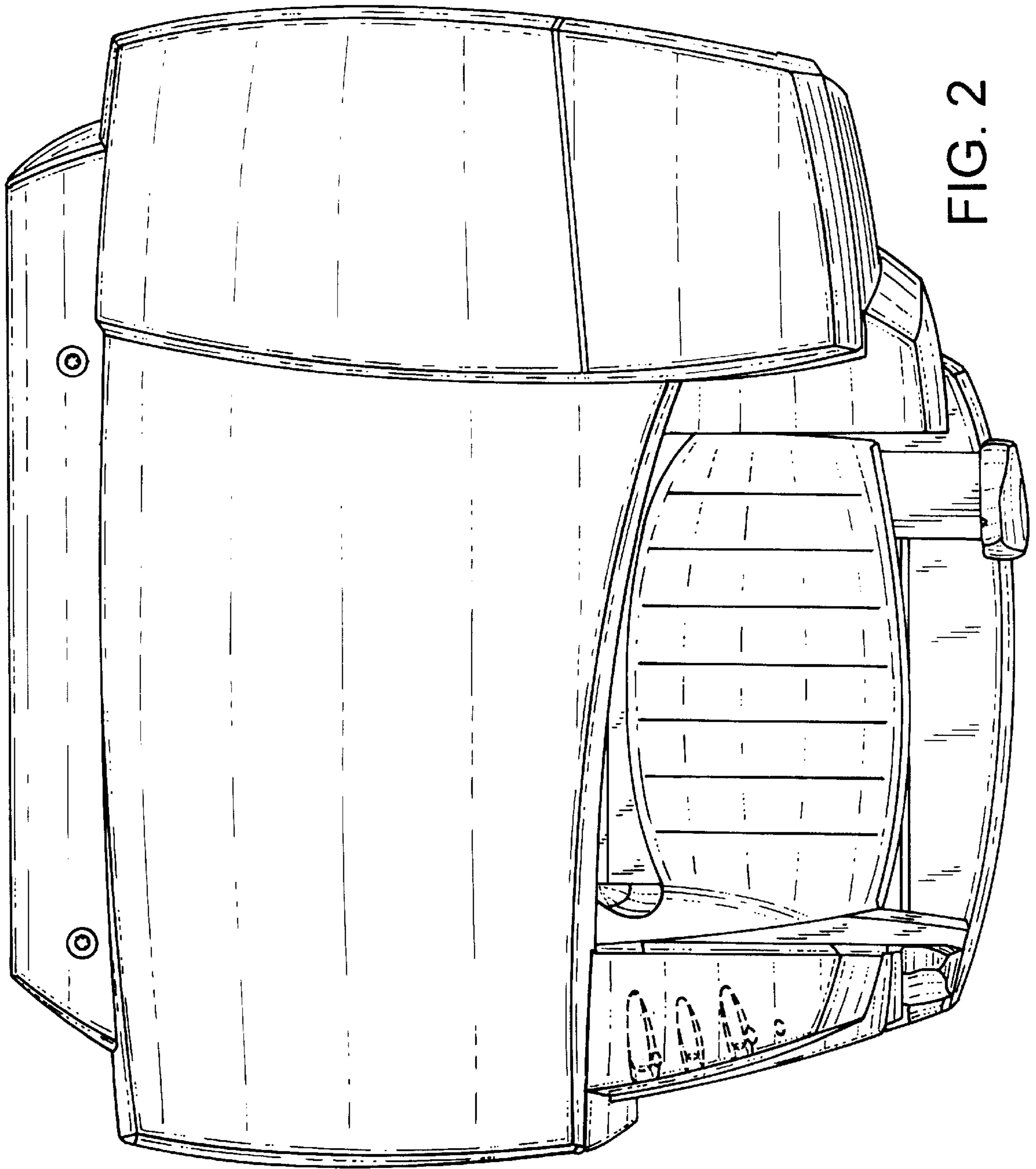


FIG. 2

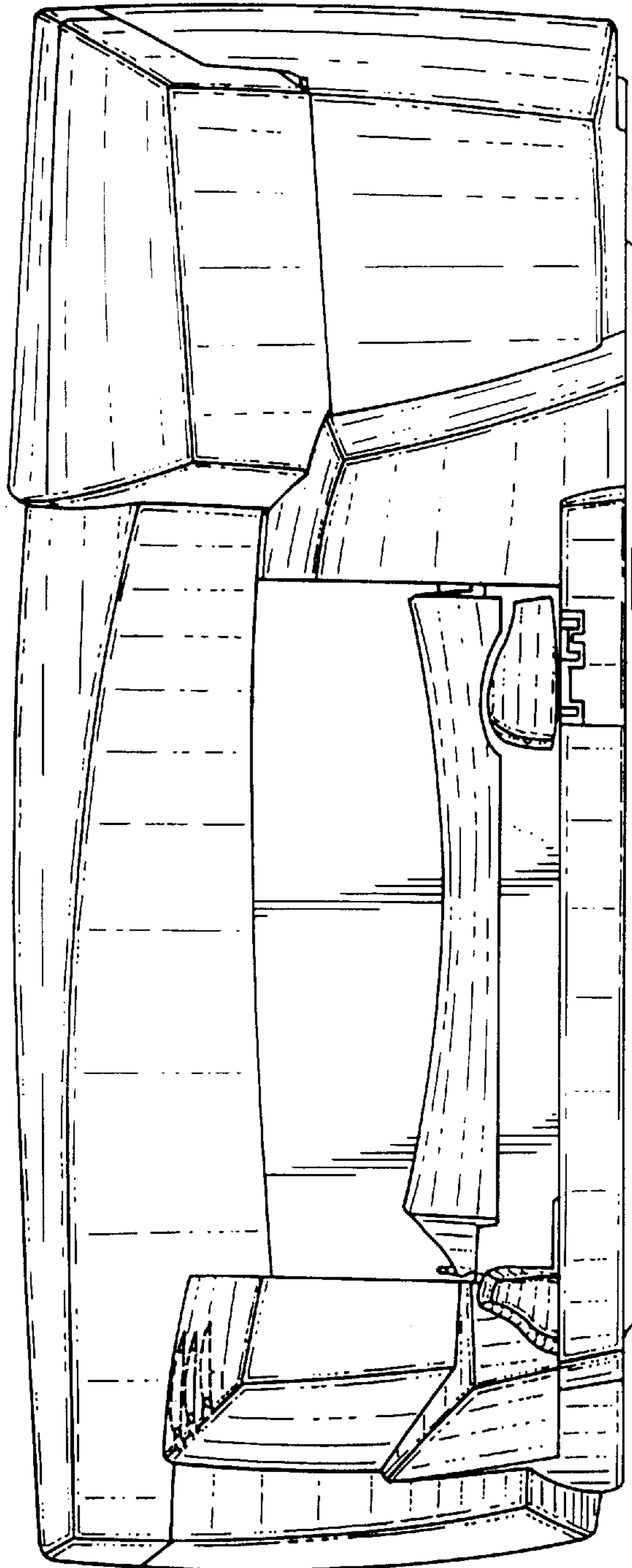


FIG. 3

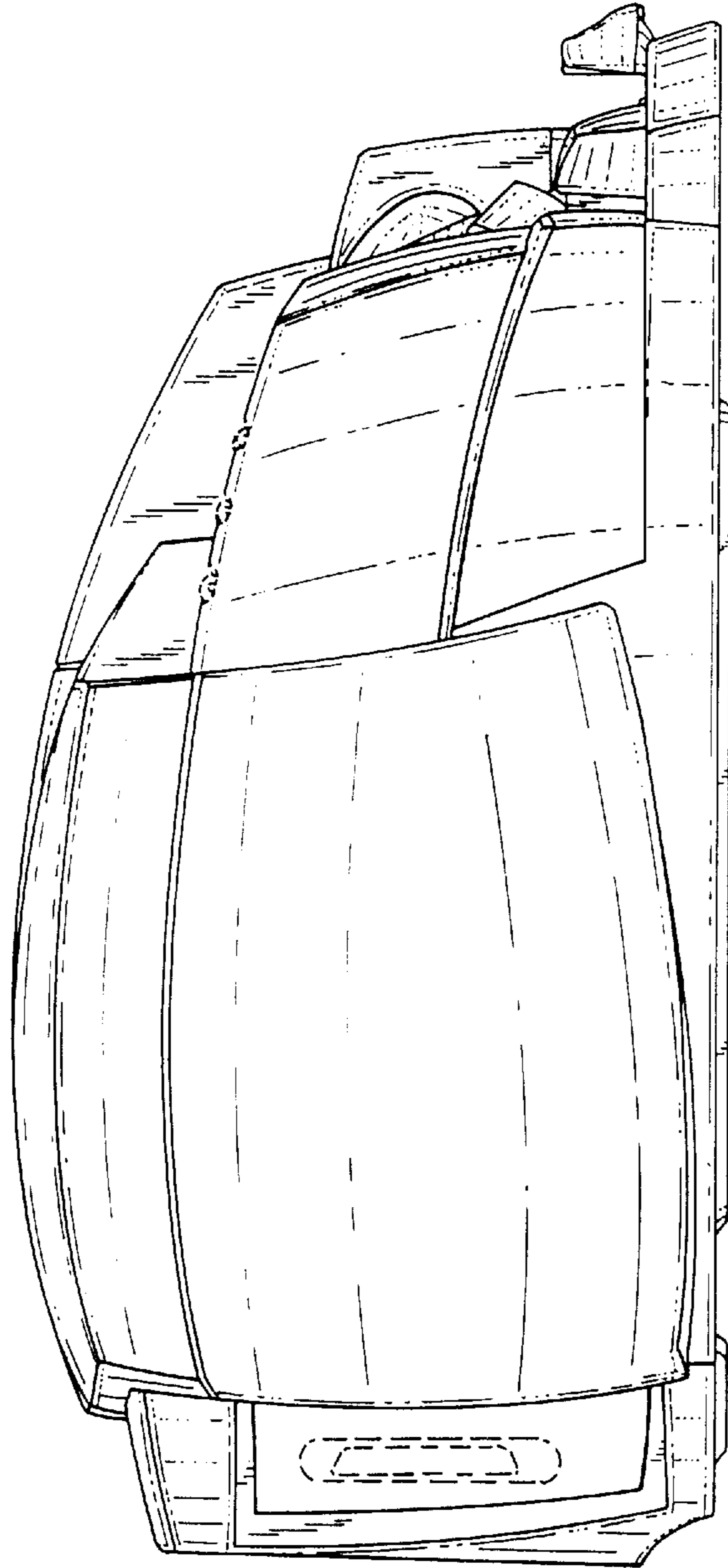


FIG. 4



FIG. 5

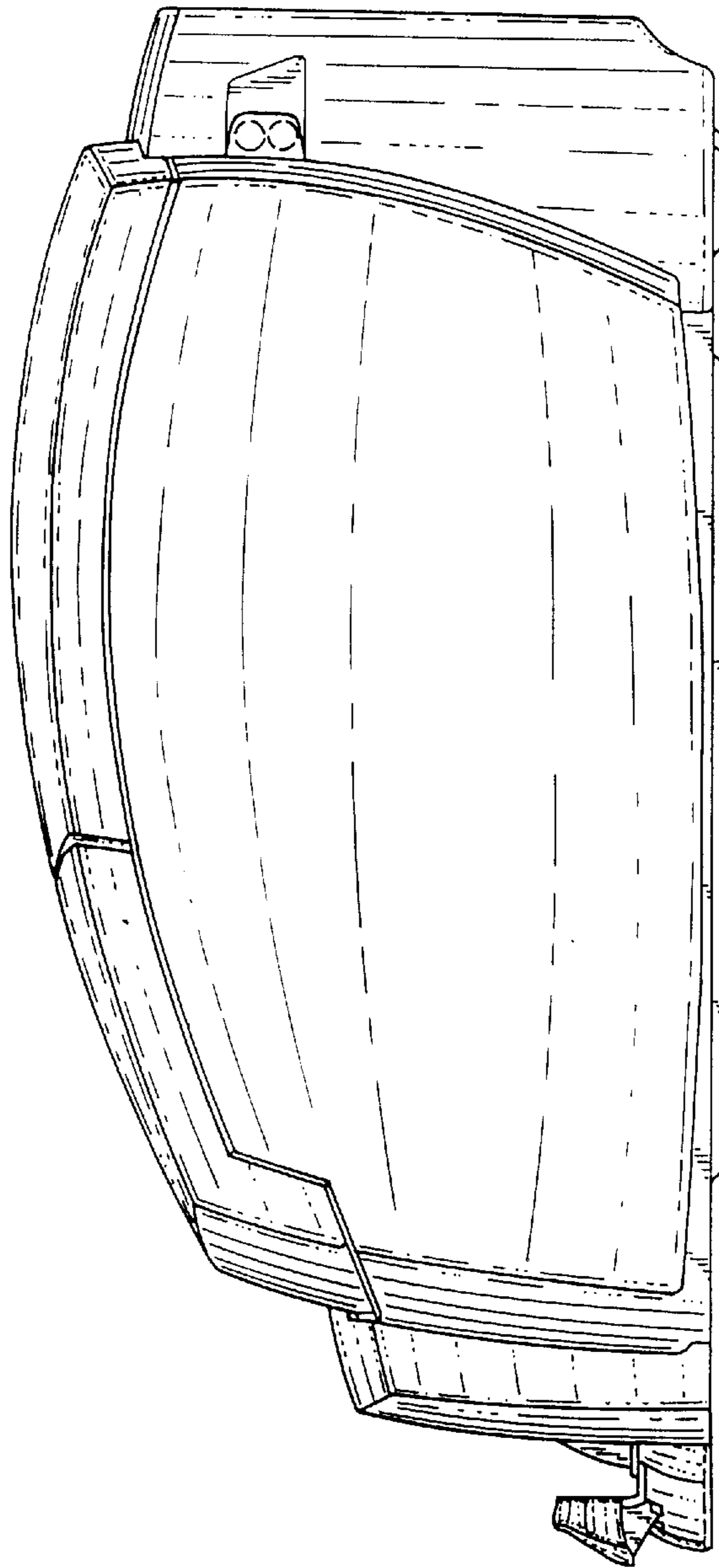


FIG. 6

FIG. 7

