



US00D402688S

United States Patent [19] Laidlaw

[11] **Patent Number: Des. 402,688**

[45] **Date of Patent: **Dec. 15, 1998**

[54] **DOCUMENT PRINTER**

[75] Inventor: **Anthony G. Laidlaw**, Boise, Id.

[73] Assignee: **Hewlett-Packard Company**, Palo Alto, Calif.

[**] Term: **14 Years**

[21] Appl. No.: **78,269**

[22] Filed: **Oct. 21, 1997**

[51] **LOC (6) Cl.** **18-02**

[52] **U.S. Cl.** **D18/53; D18/50**

[58] **Field of Search** D18/55, 53, 50,
D18/36, 54; 400/613, 613.1-613.4, 690,
690.1-690.4, 691-694

[56] **References Cited**

U.S. PATENT DOCUMENTS

D. 373,377	9/1996	Feteroff	D18/50
D. 374,889	10/1996	Barbera et al.	D18/54
D. 378,300	3/1997	Ito	D18/55
D. 384,694	10/1997	Kobayashi et al.	D18/55

Primary Examiner—Louis S. Zarfes
Assistant Examiner—Gregory Andoll

[57] **CLAIM**

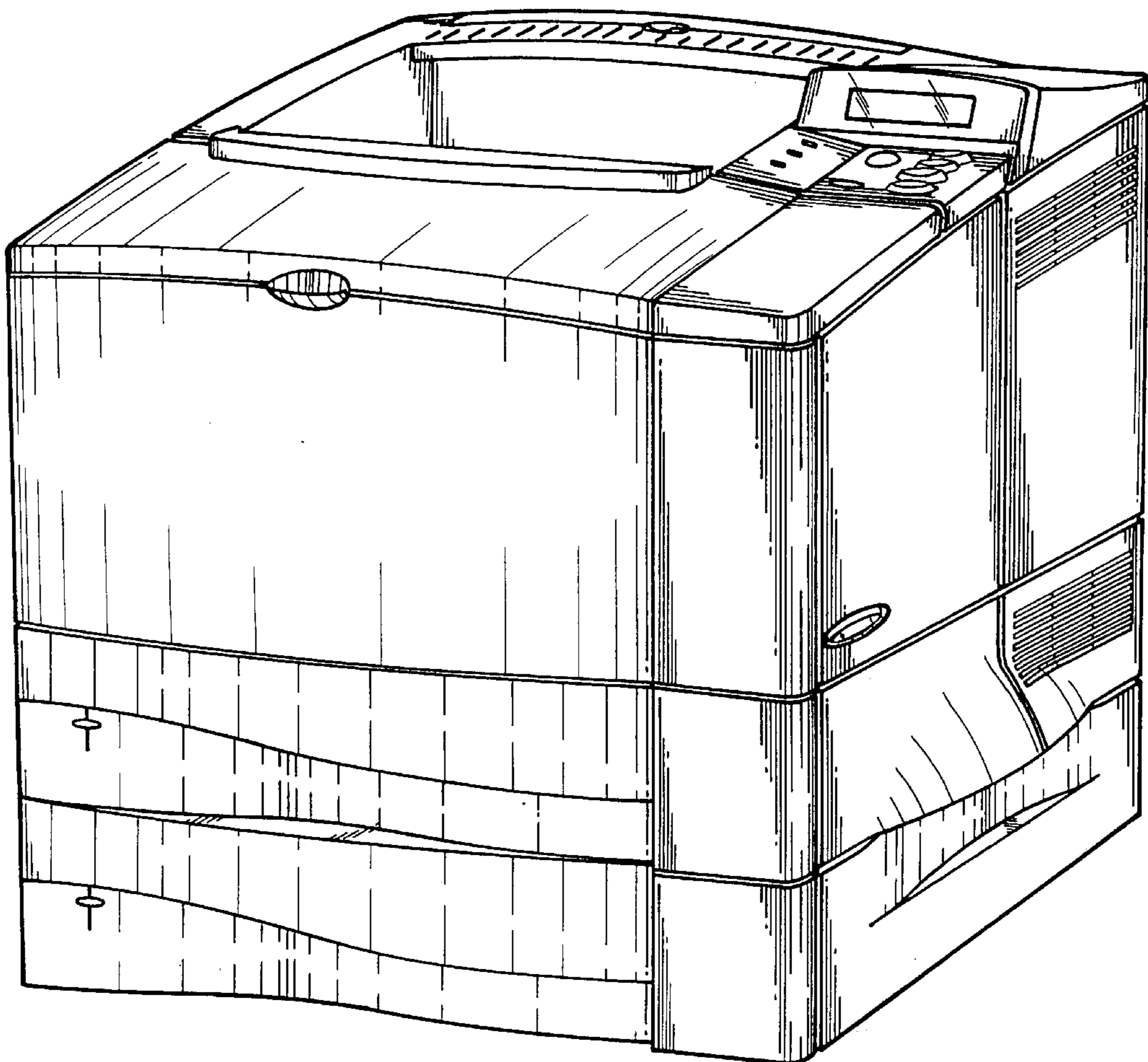
The ornamental design for a document printer, as shown.

DESCRIPTION

FIG. 1 is a front perspective view of a first embodiment of a document printer, showing my new design;
 FIG. 2 is a front elevational view thereof;
 FIG. 3 is a left side elevational view thereof;
 FIG. 4 is a right side elevational view thereof;
 FIG. 5 is a top plan view thereof;
 FIG. 6 is a front perspective view of a second embodiment of a document printer, showing my new design;
 FIG. 7 is a front elevational view of the document printer of FIG. 6;
 FIG. 8 is a left side elevational view of the document printer of FIG. 6;
 FIG. 9 is a right side elevational view of the document printer of FIG. 6; and,
 FIG. 10 is a top plan elevational view of the document printer of FIG. 6.

The rear of the document printer, not shown, forms no part of the claimed design.

1 Claim, 10 Drawing Sheets



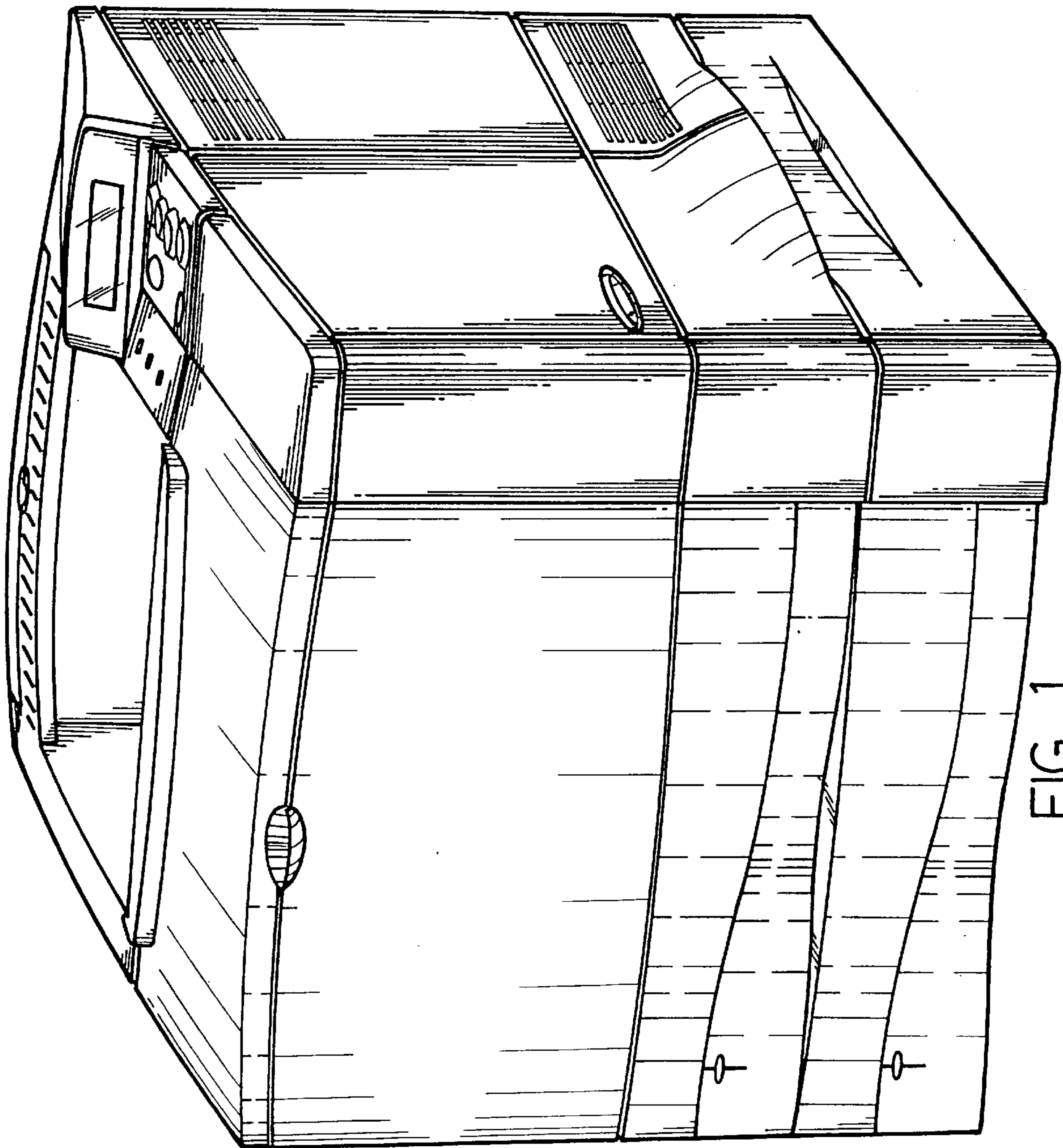


FIG. 1

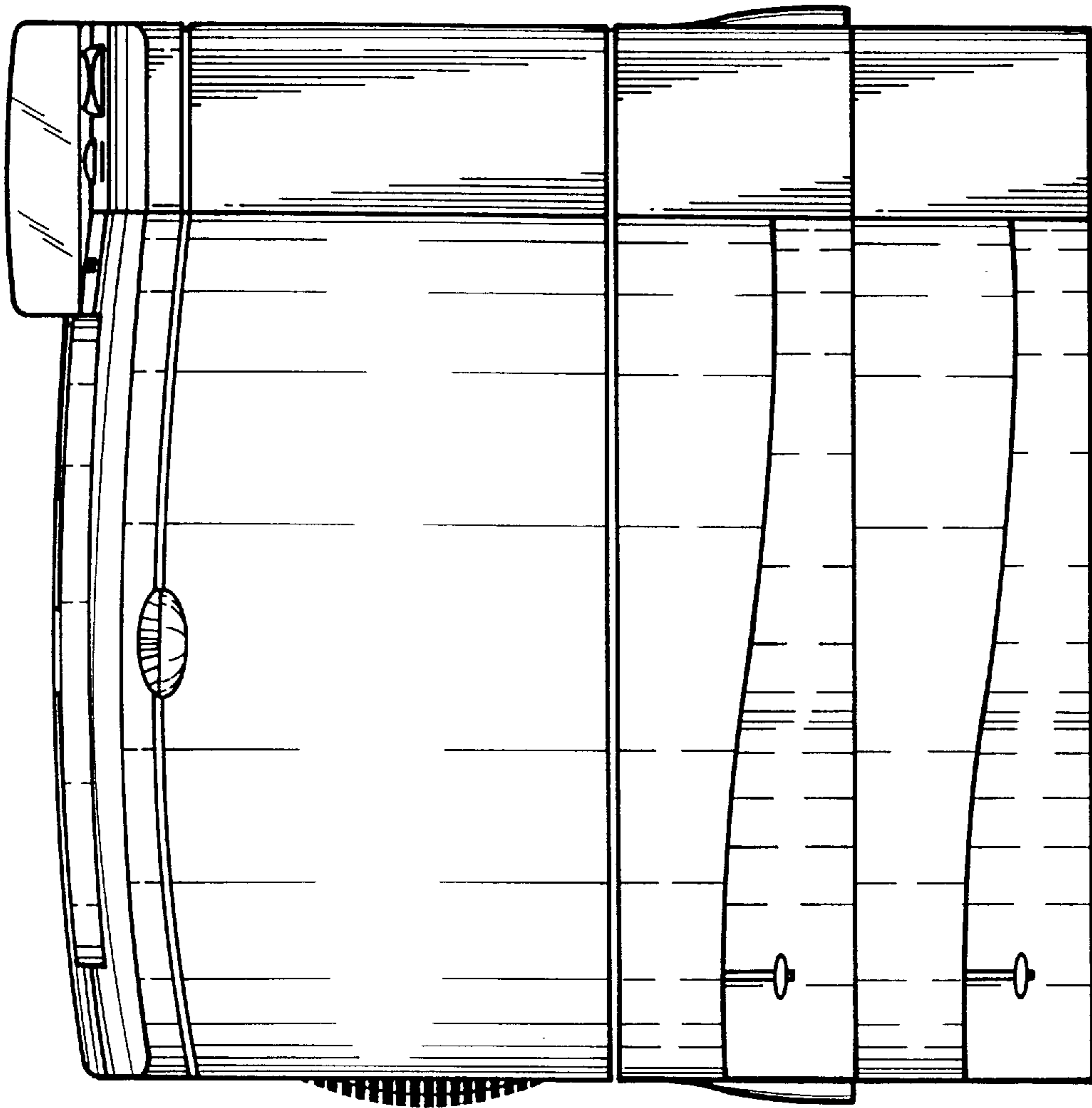


FIG. 2

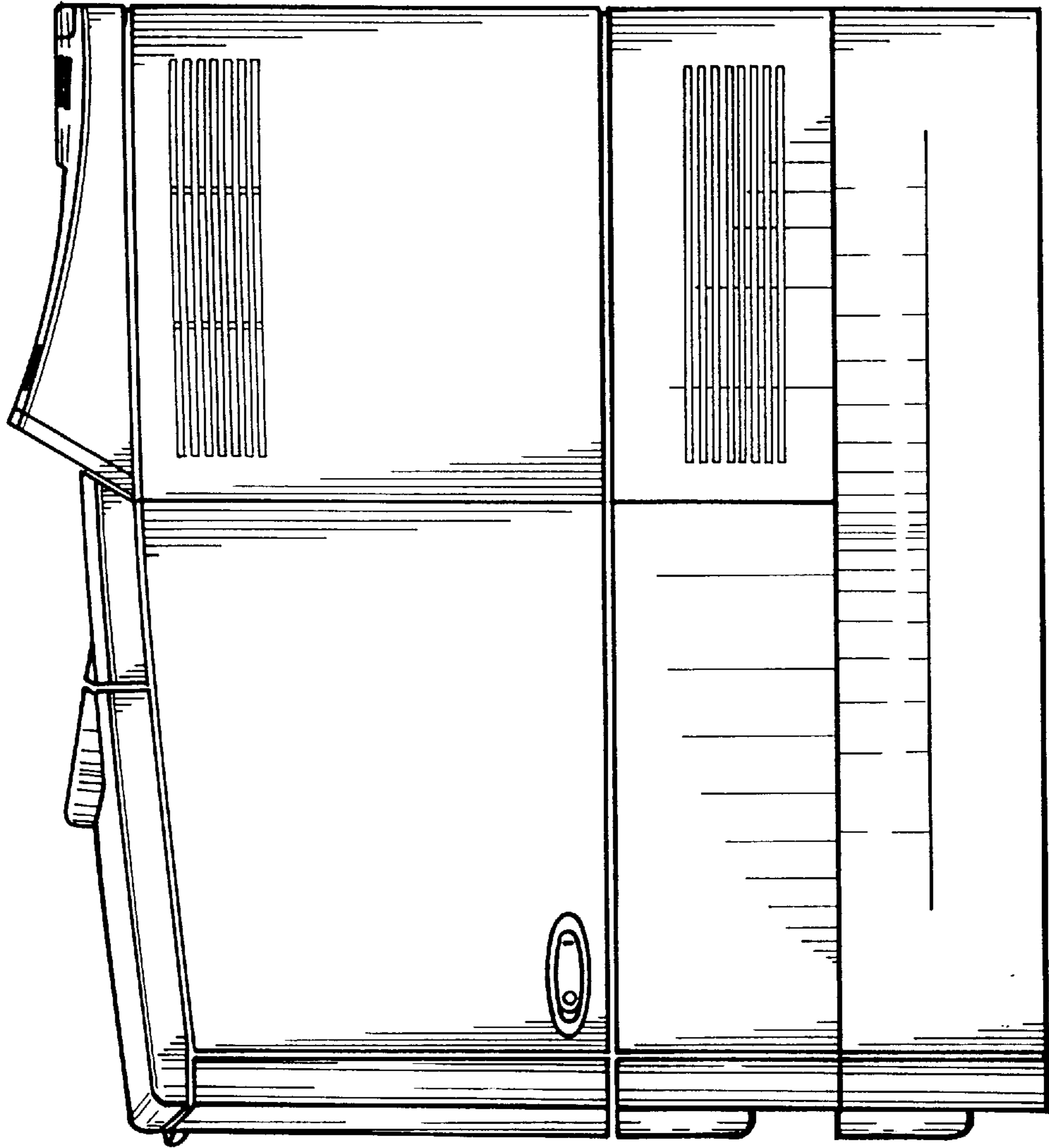


FIG. 3

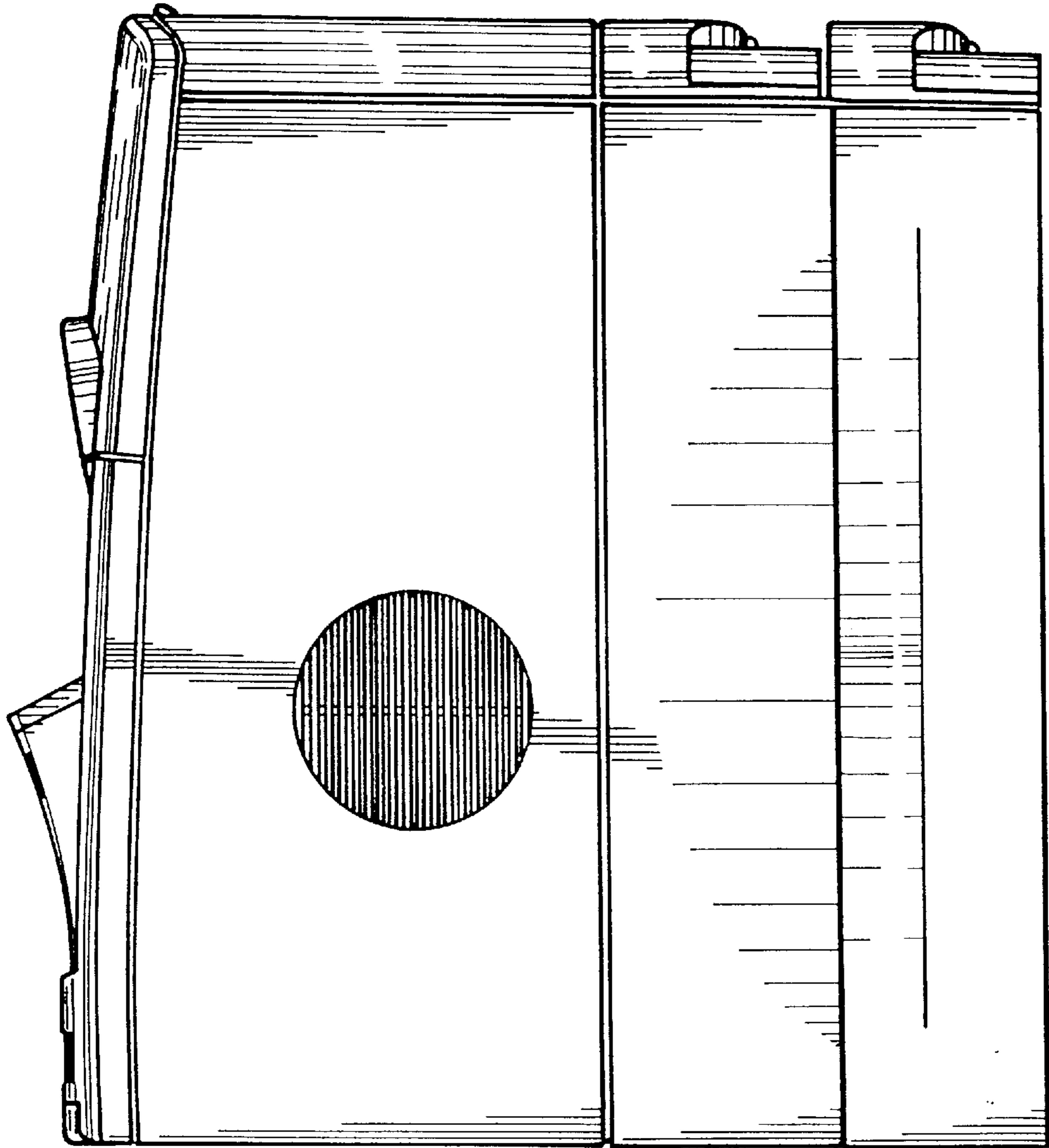


FIG. 4

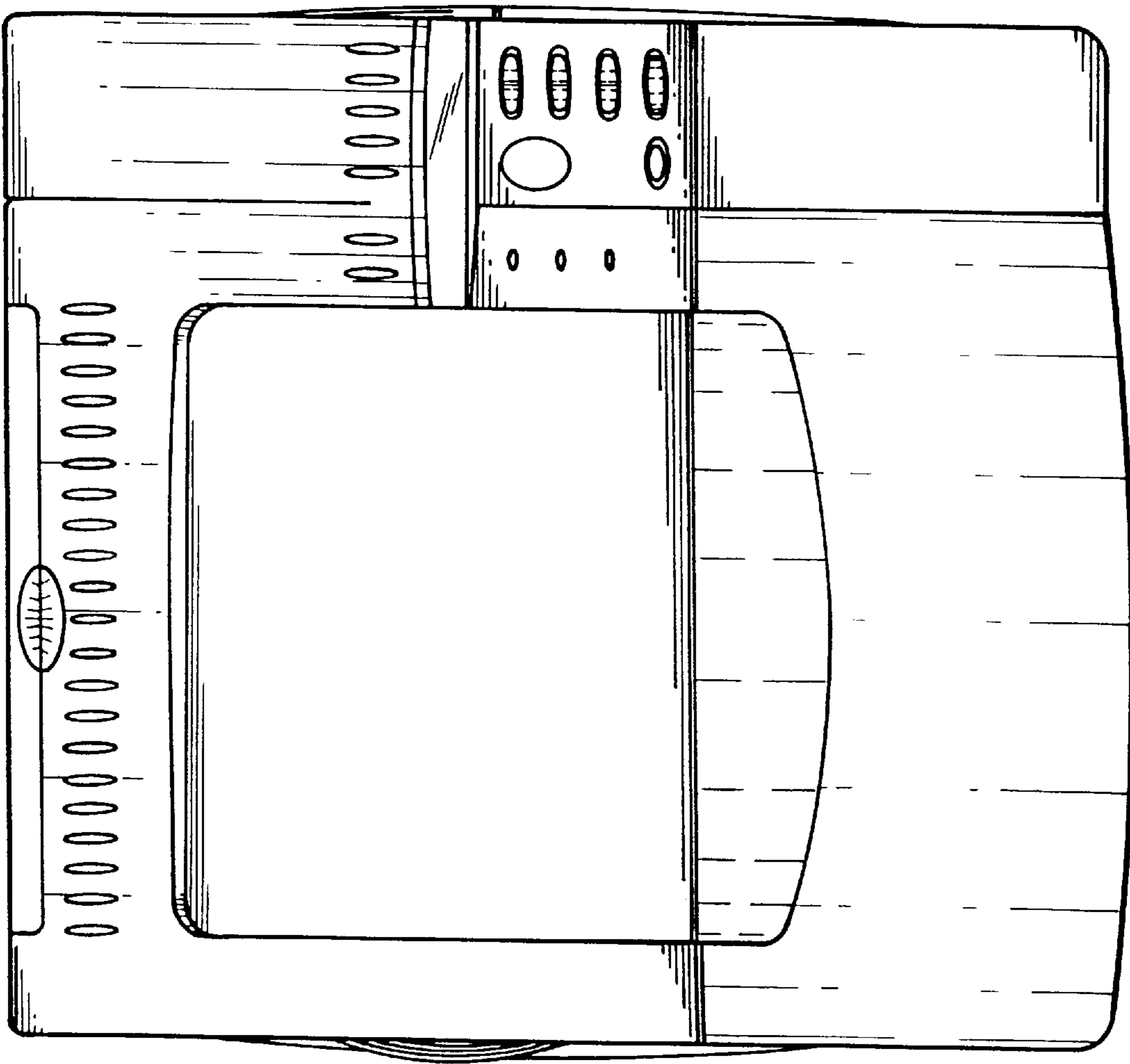


FIG. 5

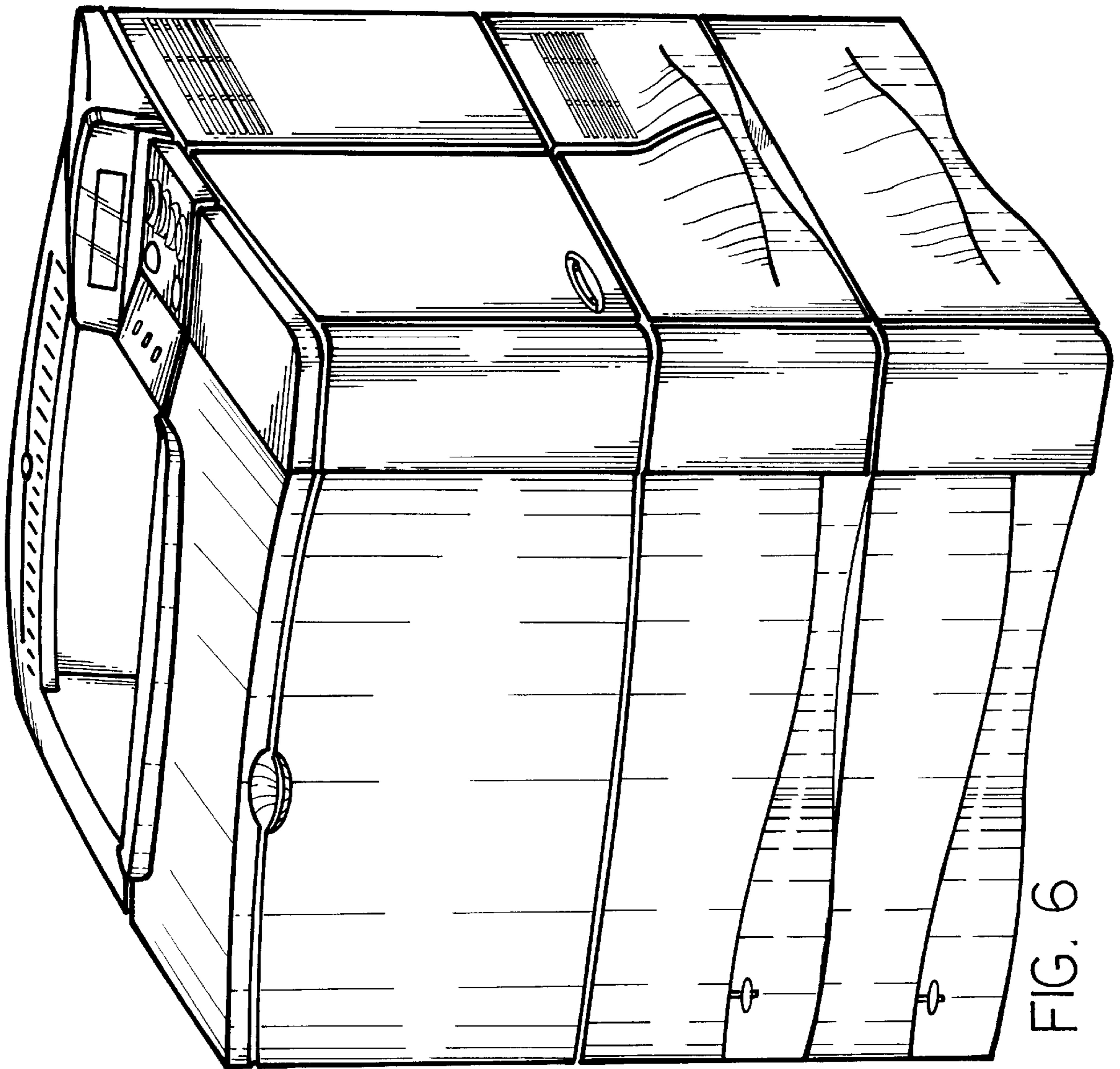


FIG. 6

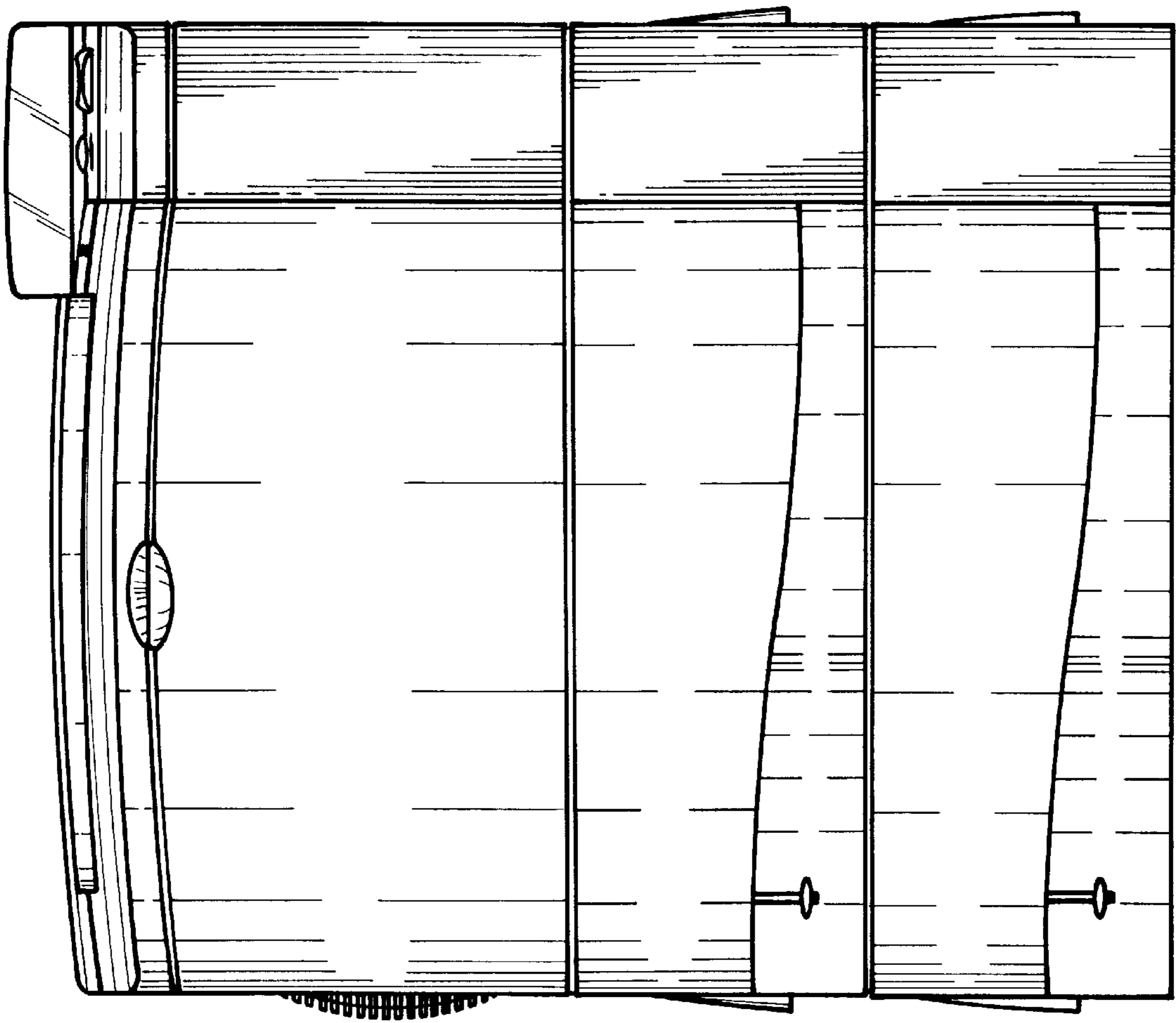


FIG. 7

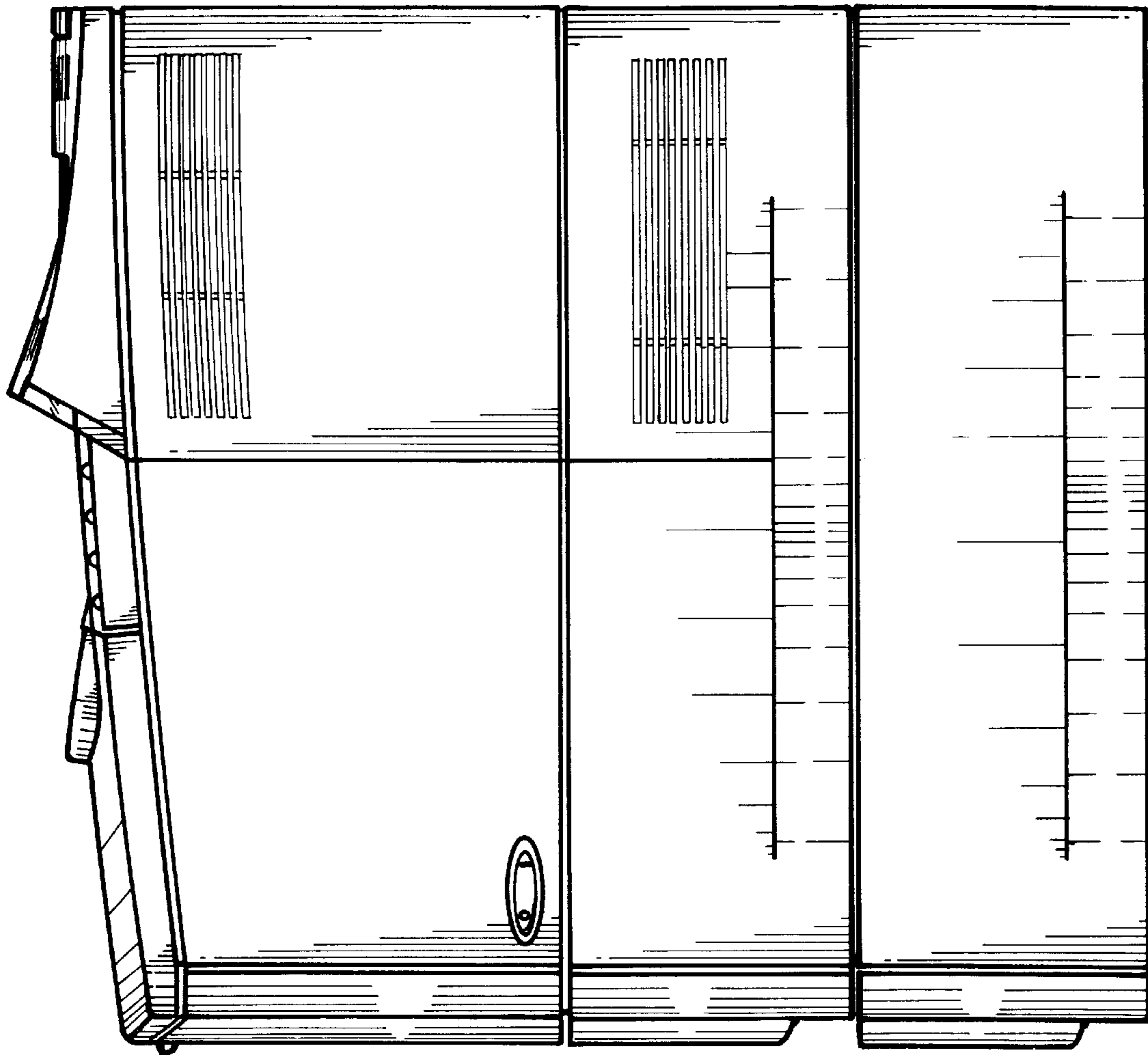


FIG. 8

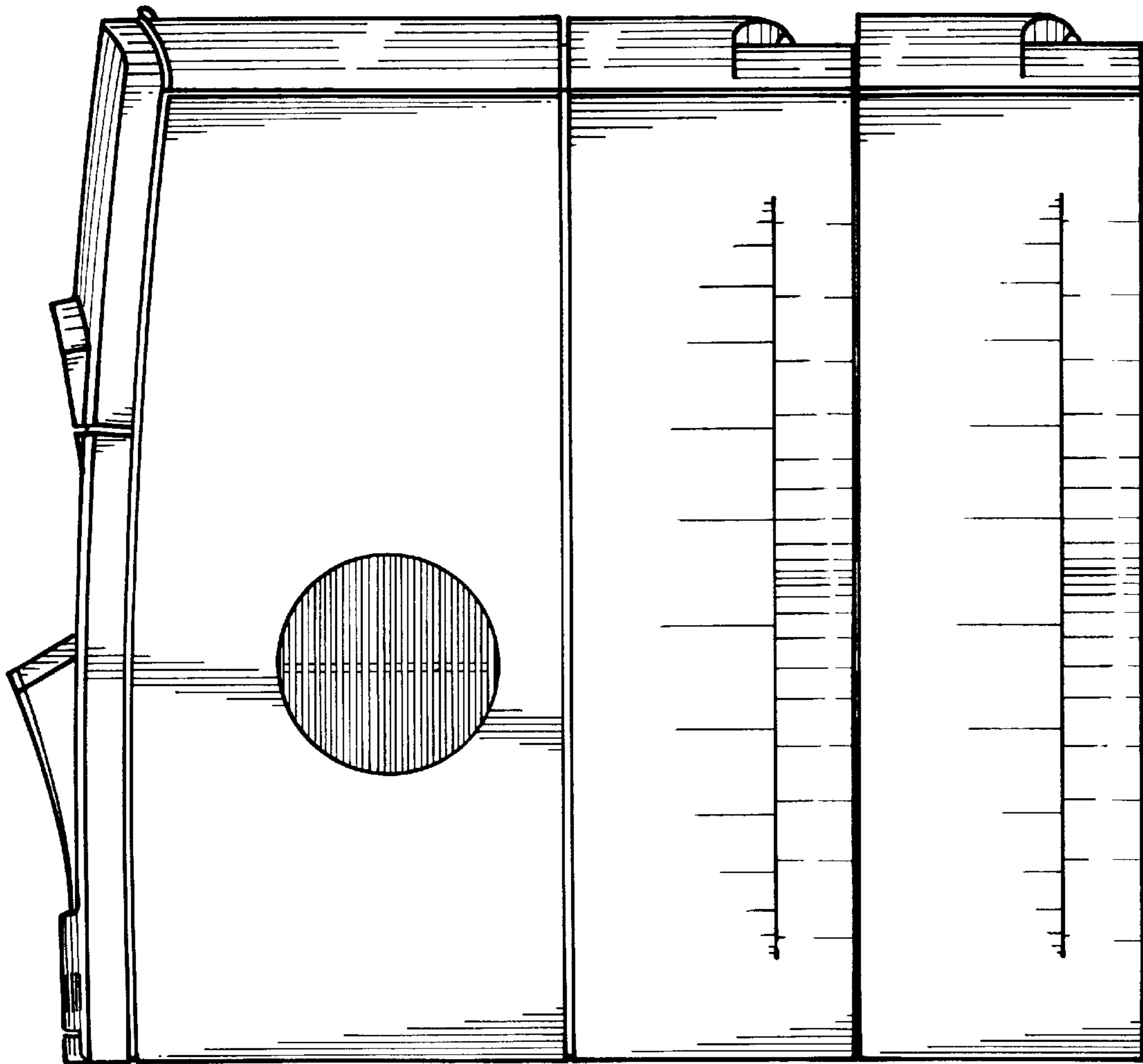


FIG. 9

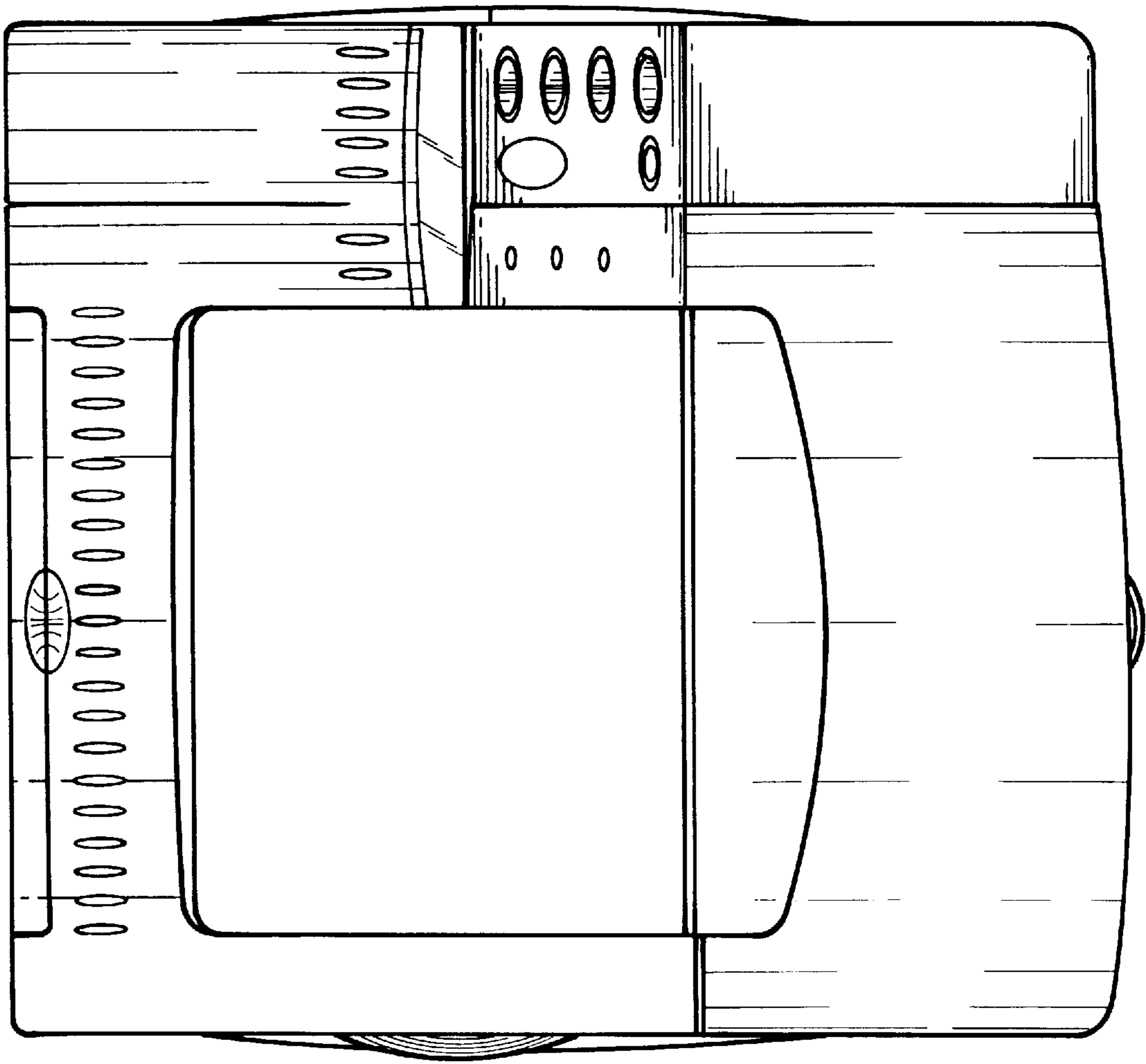


FIG. 10