



US00D402686S

**United States Patent** [19]  
**Miyazawa**

[11] **Patent Number: Des. 402,686**

[45] **Date of Patent: \*\*Dec. 15, 1998**

[54] **IMAGE FORMING APPARATUS**

[75] Inventor: **Yoshihiro Miyazawa**, Tokyo, Japan

[73] Assignee: **Canon Kabushiki Kaisha**, Tokyo, Japan

[\*\*] Term: **14 Years**

[21] Appl. No.: **81,827**

[22] Filed: **Nov. 14, 1997**

[30] **Foreign Application Priority Data**

May 22, 1997 [JP] Japan ..... 9-055187

[51] **LOC (6) Cl.** ..... **16-03**

[52] **U.S. Cl.** ..... **D18/40; D18/56**

[58] **Field of Search** ..... D18/40, 43, 36,  
D18/56; 399/24, 25, 27, 31, 119, 130, 222,  
252, 262

[56] **References Cited**

**U.S. PATENT DOCUMENTS**

D. 357,272 4/1995 Tokuda et al. .... D18/40 X

D. 374,455 10/1996 Senshiki ..... D18/40 X  
D. 378,525 3/1997 Ito ..... D18/40  
D. 378,830 4/1997 Kim ..... D18/43

*Primary Examiner*—Caron D. Veynar  
*Attorney, Agent, or Firm*—Fitzpatrick, Cella, Harper & Scinto

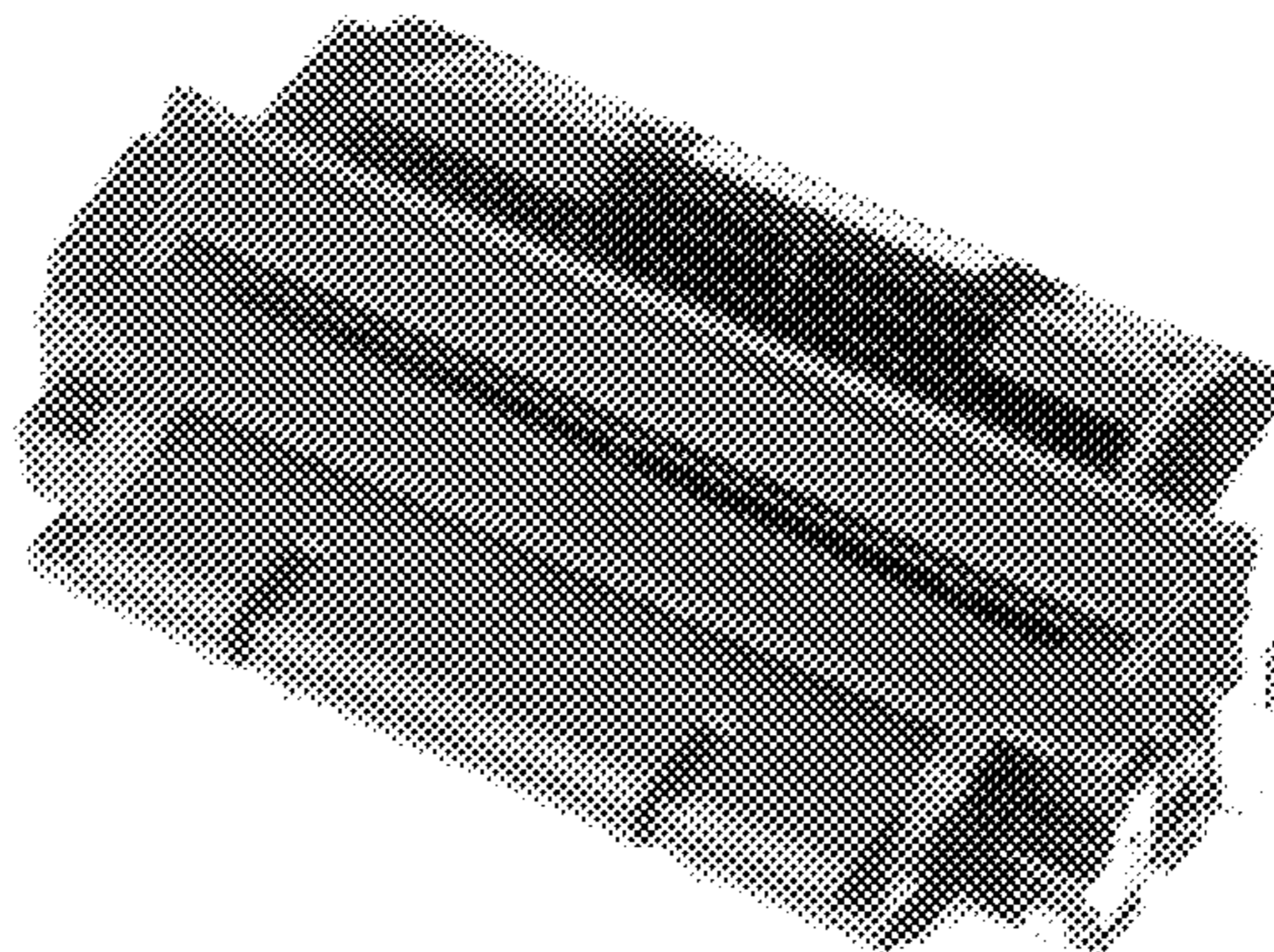
[57] **CLAIM**

The ornamental design for an image forming apparatus, as shown and described.

**DESCRIPTION**

FIG. 1 is a front view of an image forming apparatus showing my new design;  
FIG. 2 is a rear view thereof;  
FIG. 3 is a top plan view thereof;  
FIG. 4 is a bottom plan view thereof;  
FIG. 5 is a left side view thereof;  
FIG. 6 is a right side view thereof;  
FIG. 7 is a perspective view from the top thereof; and,  
FIG. 8 is a perspective view from the bottom thereof.

**1 Claim, 4 Drawing Sheets**



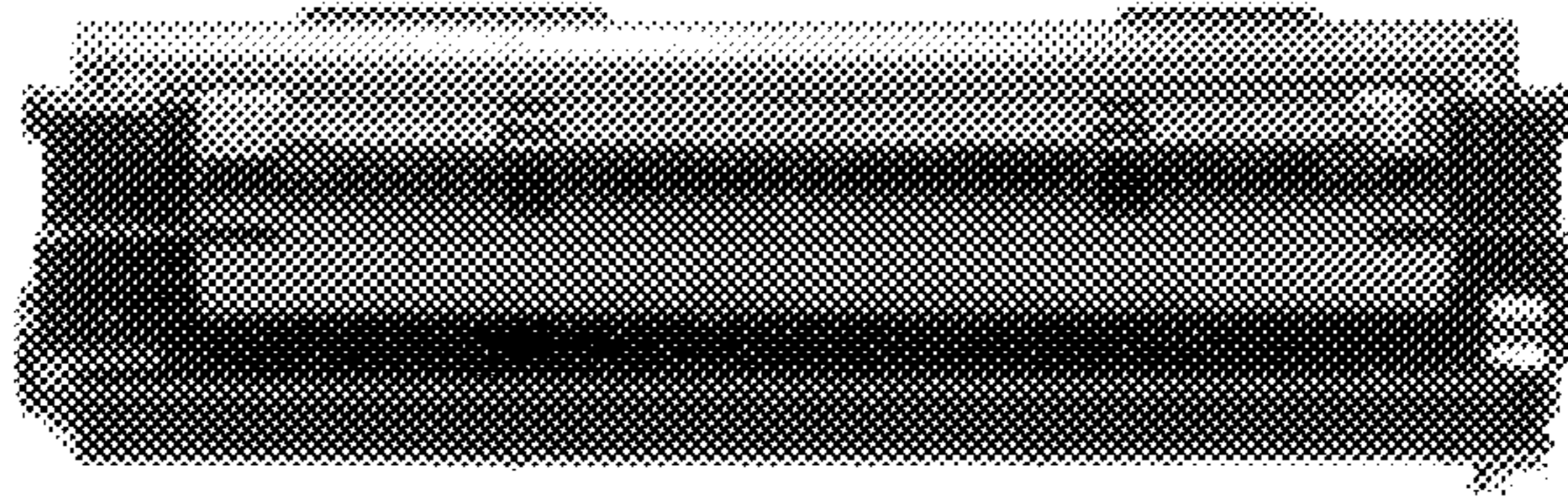


FIG. 1

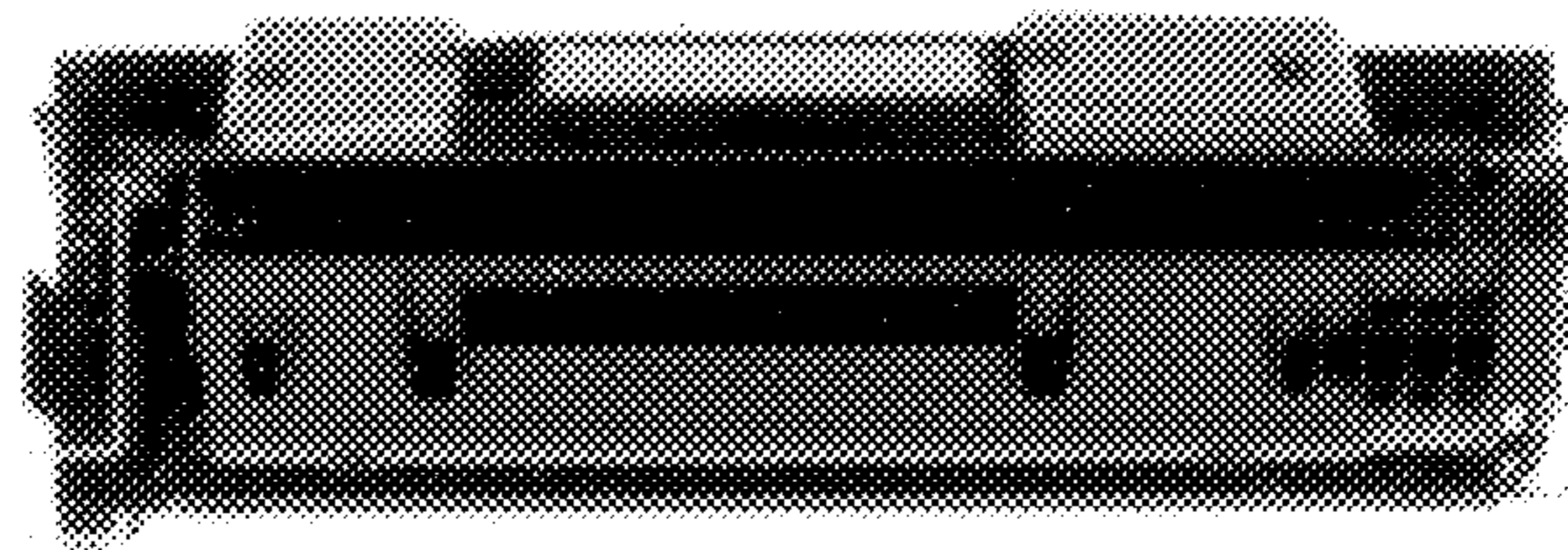


FIG. 2

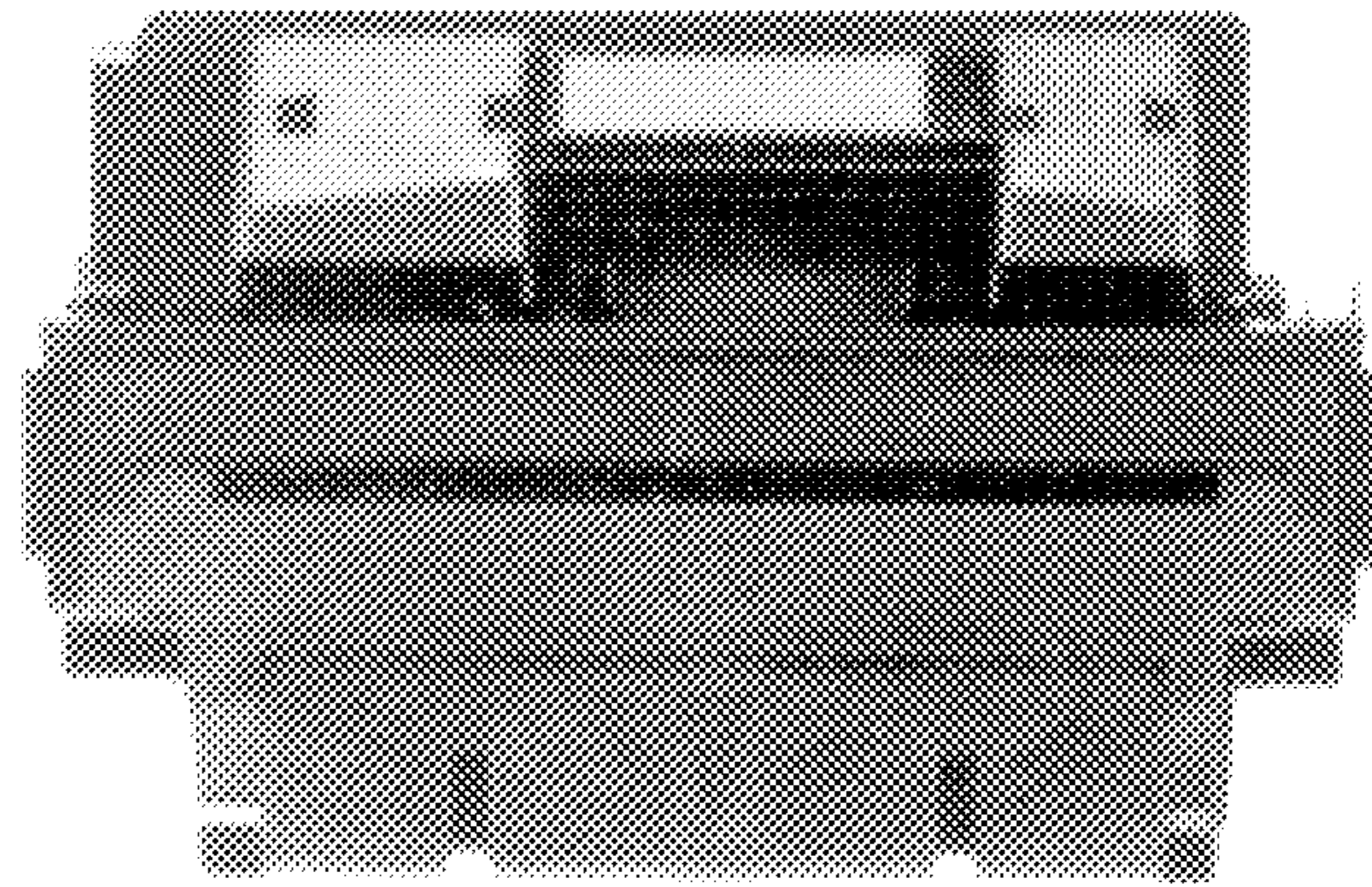


FIG. 3

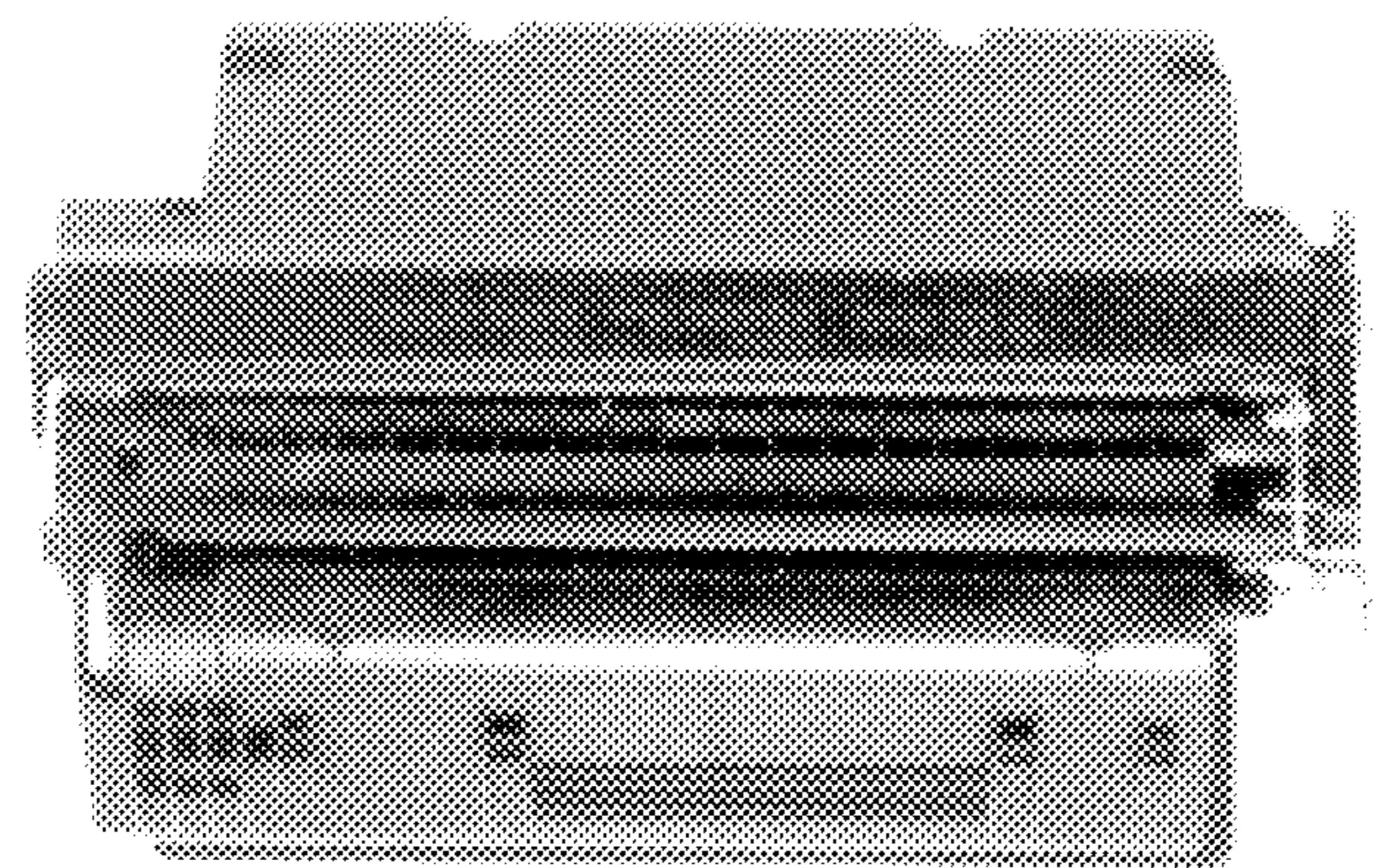


FIG. 4

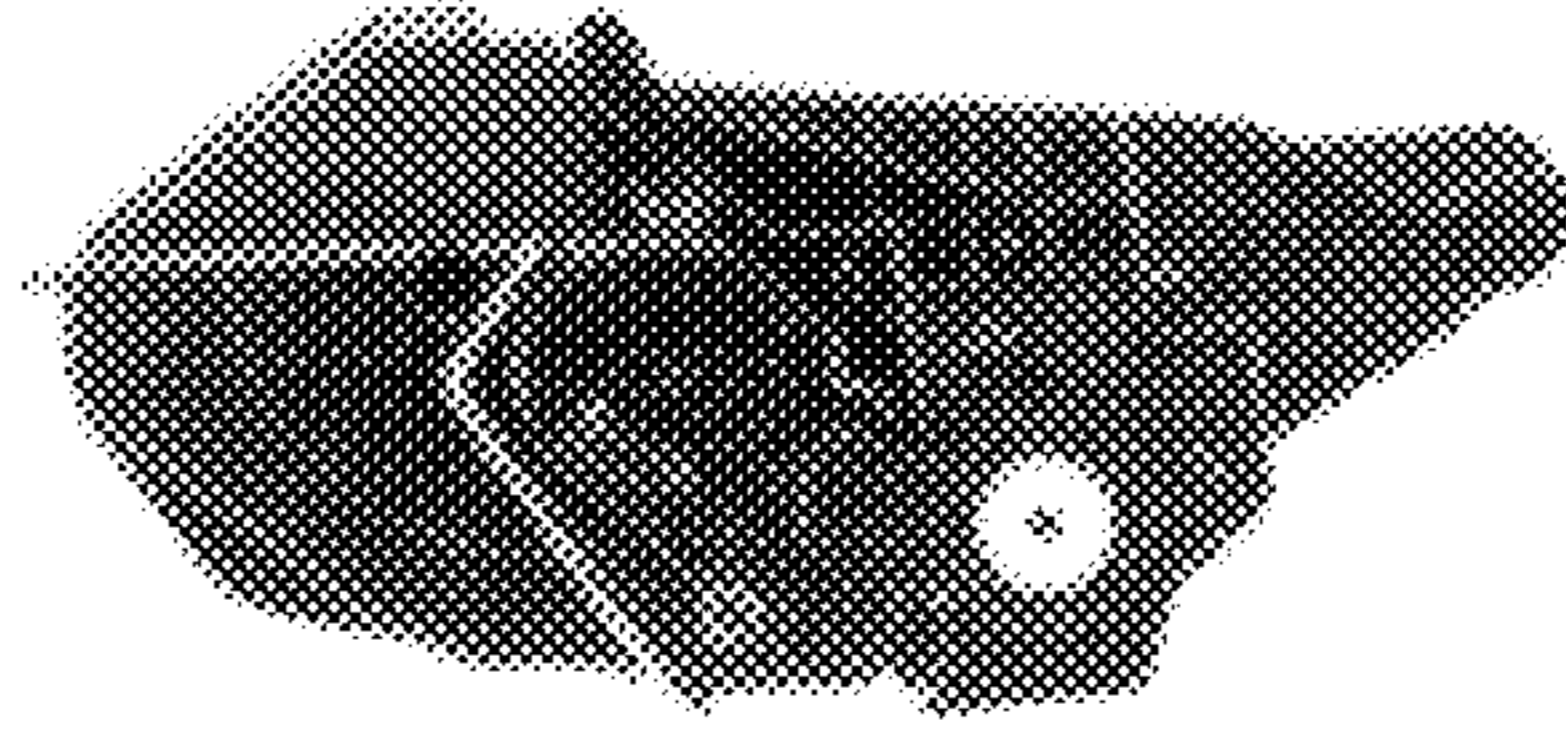


FIG. 5

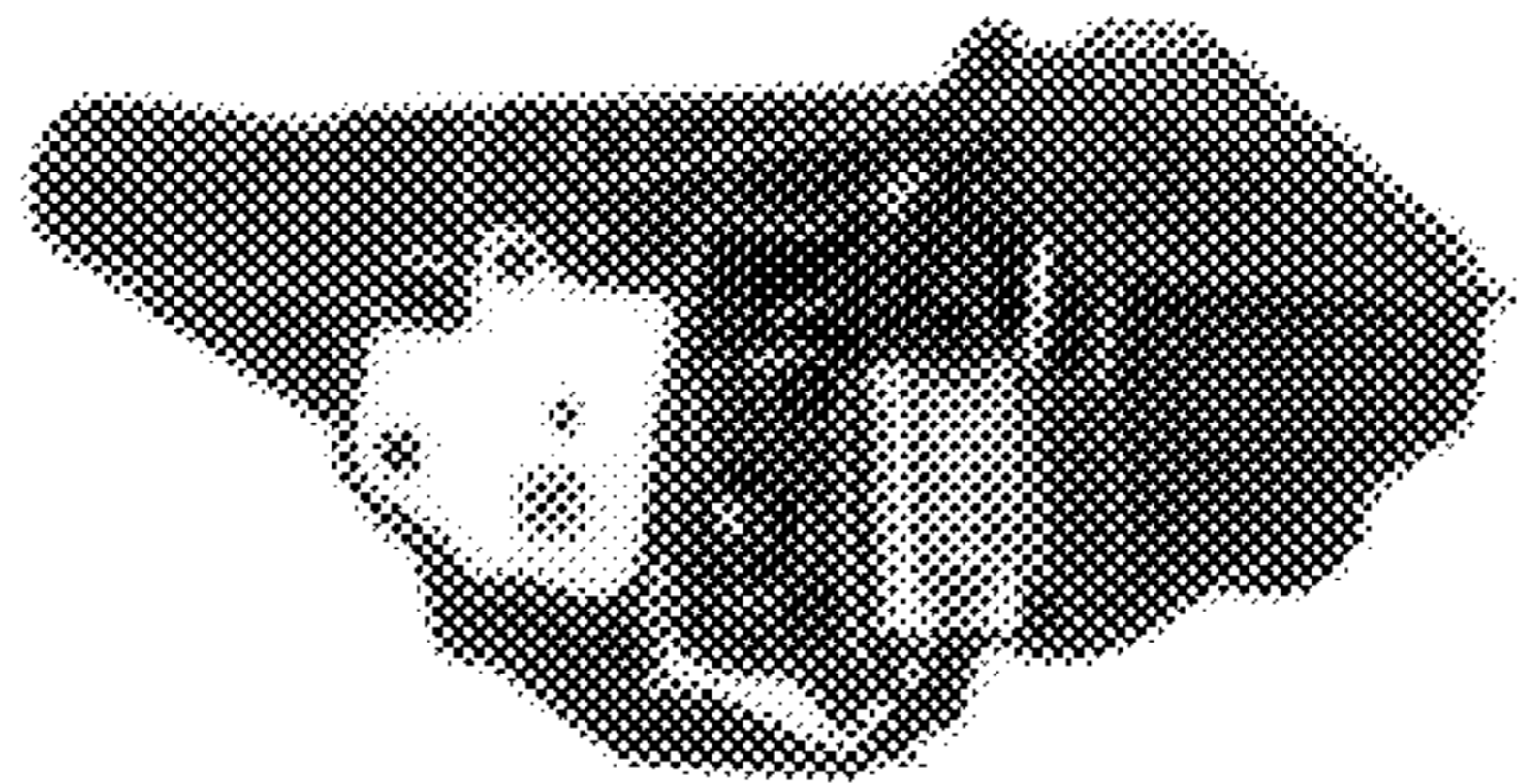


FIG. 6

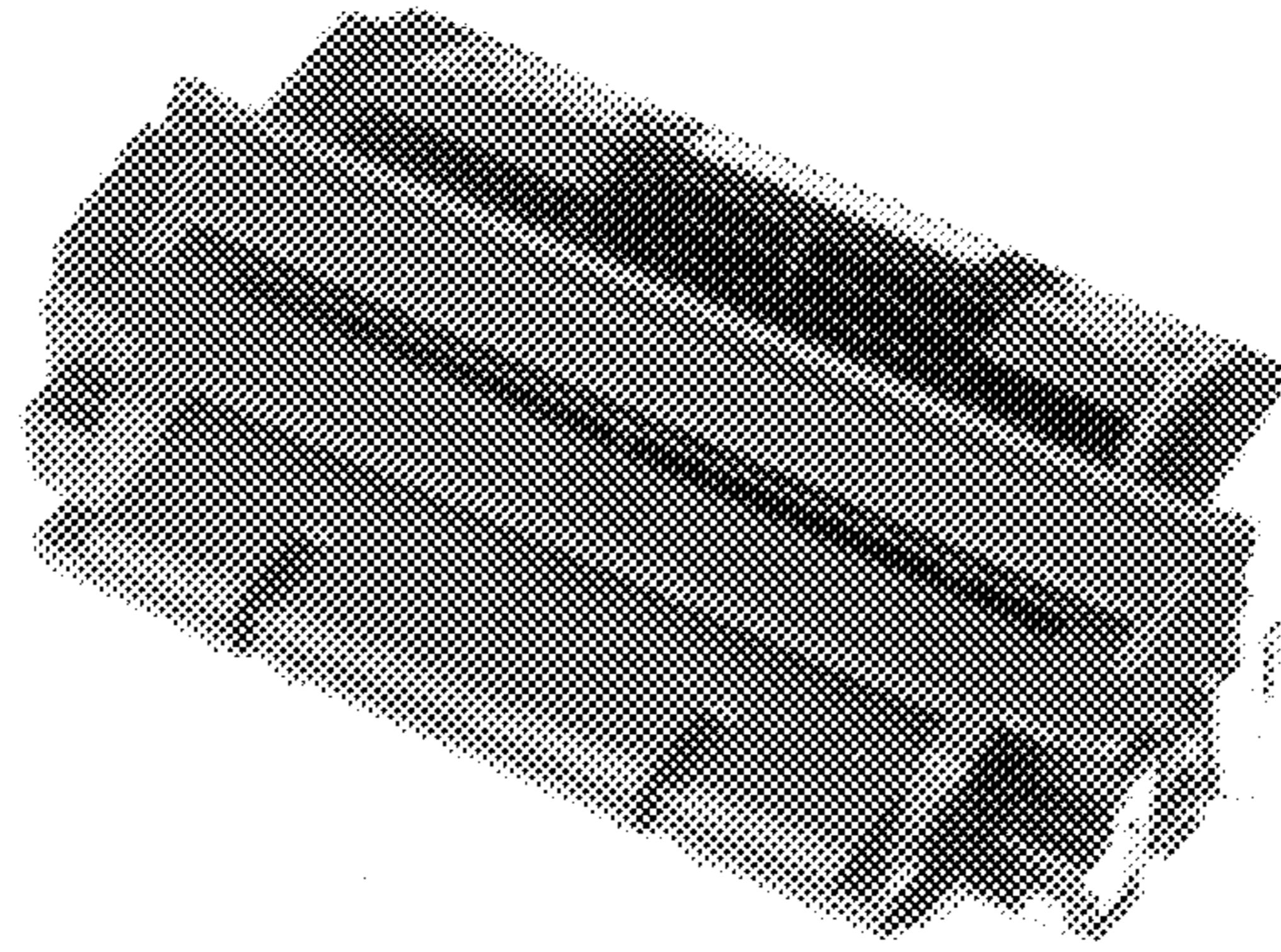


FIG. 7

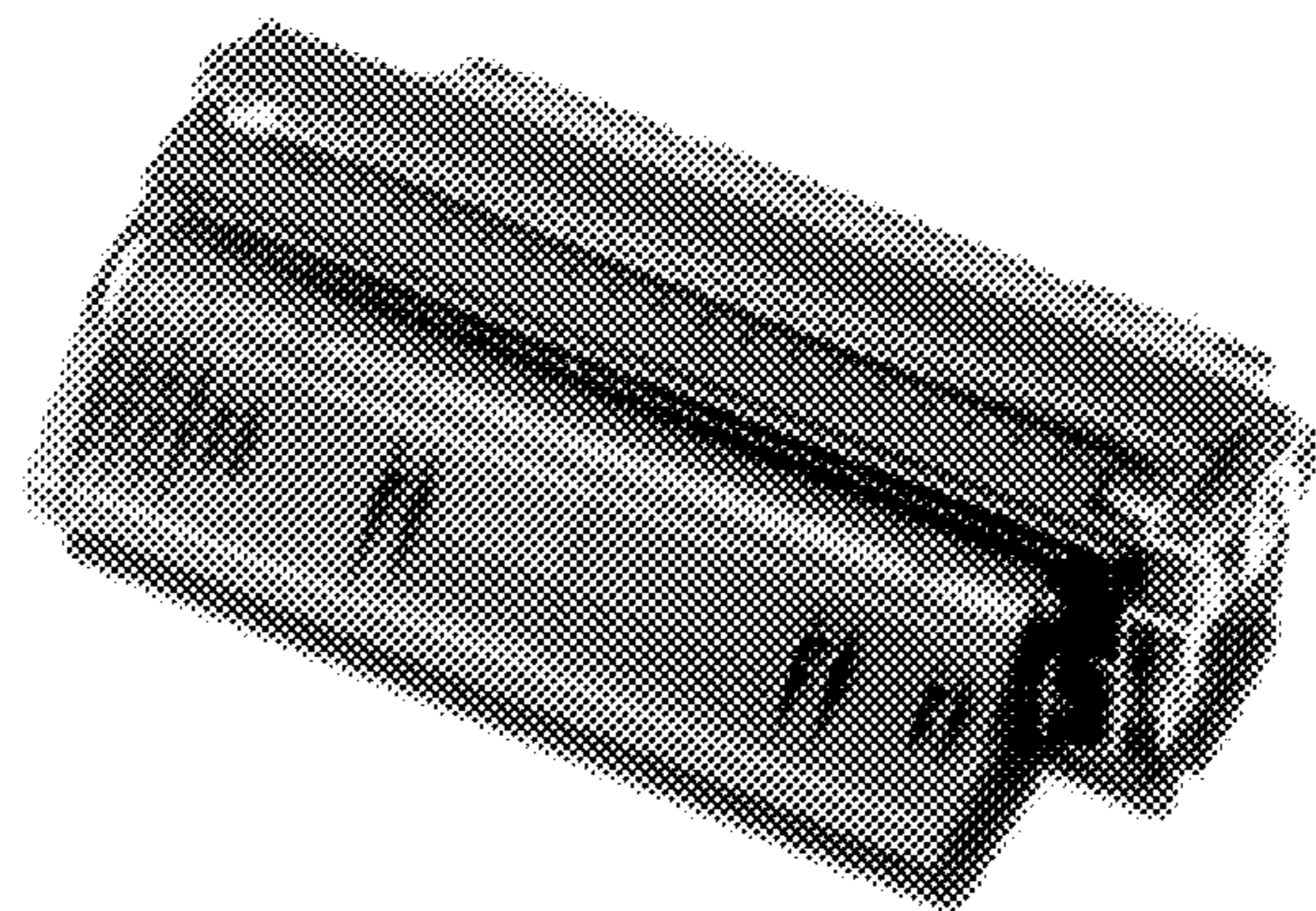


FIG. 8