



US00D402683S

# United States Patent [19]

Brewster et al.

[11] Patent Number: Des. 402,683

[45] Date of Patent: \*\*Dec. 15, 1998

[54] DRUM BEATER

5,431,081 7/1995 Lombardi ..... 84/422.1  
5,574,237 11/1996 Yanagisawa ..... 84/422.1

[75] Inventors: **Matthew Philip Brewster; John Thomas Brown**, both of Leicester, England

### FOREIGN PATENT DOCUMENTS

35 03 867 A1 10/1985 Germany .  
2151065 7/1985 United Kingdom .

[73] Assignee: **Premier Percussion Limited**, Leicestershire, England

### OTHER PUBLICATIONS

[\*\*] Term: 14 Years

Product Brochure: *Bass Drum Pedals and Hi-Hats*, Pearl Corporation, 549 Metroplex Drive, Nashville, TN, 37211, Printed 2,96 in the U.S.A.

[21] Appl. No.: 71,686

Product Brochure: *Drum Workshop 5000 Series Drum Pedals & Hi-Hats "Make a Change for the Better,"* Drum Workshop, Inc., 101 Bernoulli Circle, Oxnard, CA, 93030, U.S.A., ©DW 1995.

[22] Filed: Jun. 4, 1997

Iron Cobra Base Drum Pedal brochure, 1993.

[30] Foreign Application Priority Data

Dec. 6, 1996 [GB] United Kingdom ..... 2061509

[51] LOC (6) Cl. .... 17-04

Primary Examiner—Philip S. Hyder

[52] U.S. Cl. .... D17/22; 84/422.1

Assistant Examiner—Adir Aronovich

[58] Field of Search ..... D17/22, 99; D21/64; 84/411 R, 421, 422.1, 422.2

Attorney, Agent, or Firm—Townsend and Townsend and Crew

### [56] References Cited

### [57] CLAIM

#### U.S. PATENT DOCUMENTS

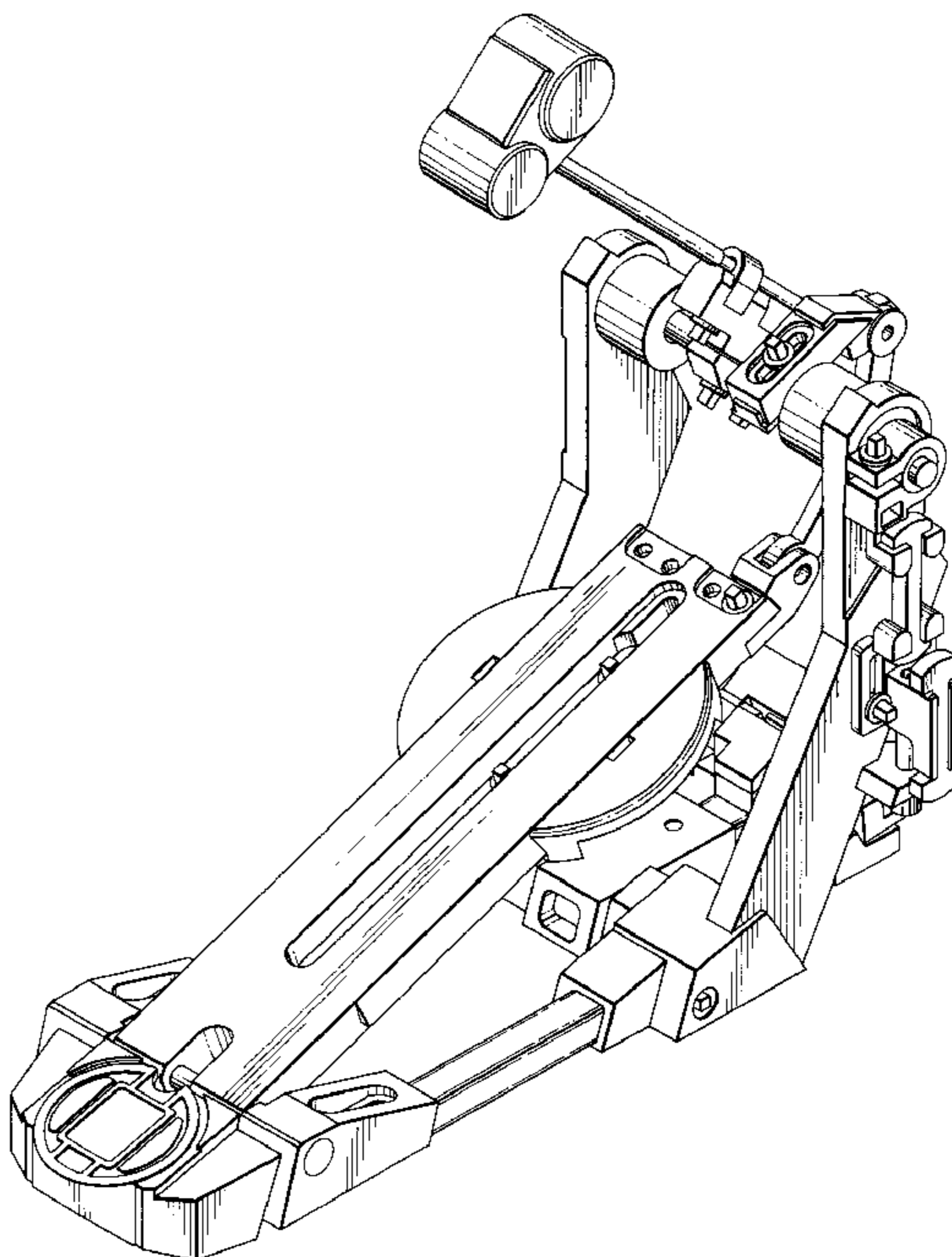
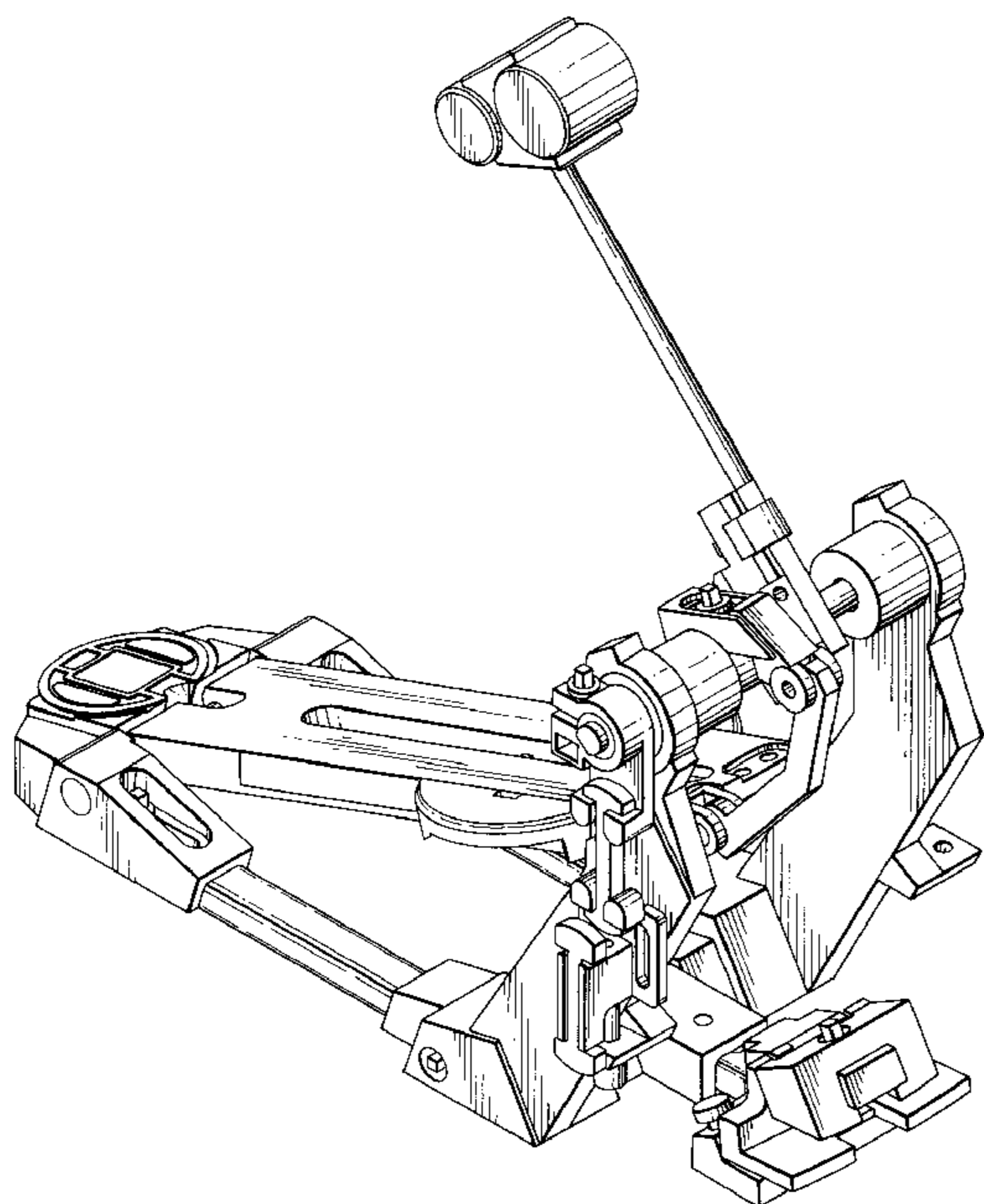
The ornamental design for a drum beater, as shown and described.

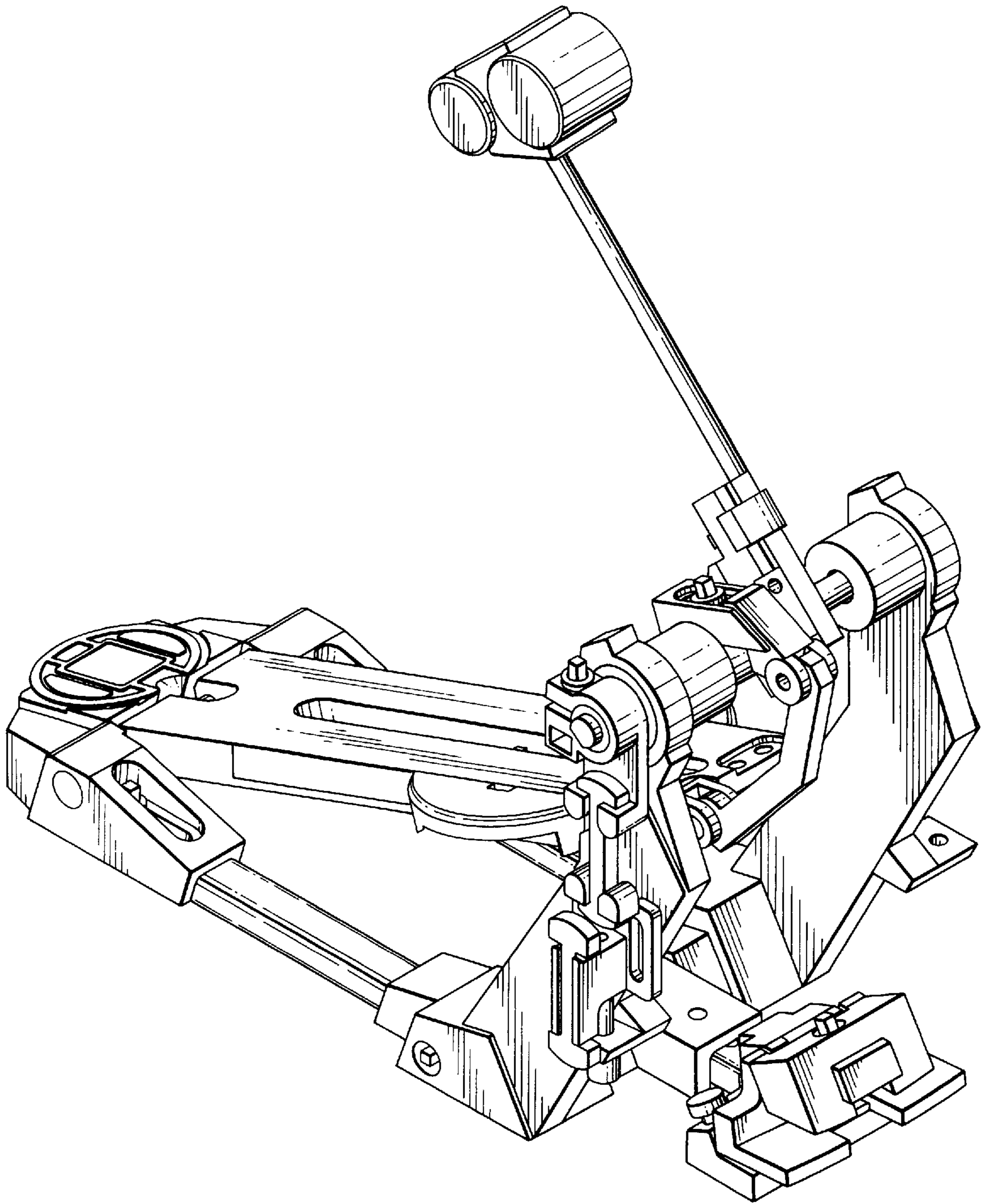
D. 338,483	8/1993	Kurosaki	.....	D17/22
D. 390,253	2/1998	Bacco	.....	D17/22
4,520,710	6/1985	Elliott, Jr.	.....	84/422
4,567,808	2/1986	Smith	.....	84/422.1
4,829,874	5/1989	Hoshino	.....	84/421
5,185,489	2/1993	Hoshino	.....	84/422.1
5,297,467	3/1994	Hoshino	.....	84/422.1
5,301,592	4/1994	Johnston	.....	84/422.1
5,317,946	6/1994	Hoshino	.....	84/422.1
5,361,670	11/1994	Lombardi	.....	84/422.1
5,365,824	11/1994	Hoshino	.....	84/422.1
5,379,674	1/1995	Hoshino	.....	84/422.1
5,388,494	2/1995	Hoshino	.....	82/422.1
5,396,826	3/1995	Lombardi	.....	84/422.1
5,421,235	6/1995	Lombardi	.....	82/422.1

### DESCRIPTION

FIG. 1 is a perspective view from the top, front and one side of the drum beater;  
FIG. 2 is a perspective view from the top, the back and one side of the drum beater;  
FIG. 3 is a front elevation of the drum beater;  
FIG. 4 is a rear elevation of the drum beater;  
FIG. 5 is a top plan view of the drum beater;  
FIG. 6 is a bottom plan view of the drum beater; and,  
FIG. 7 is a side elevation of the drum beater.

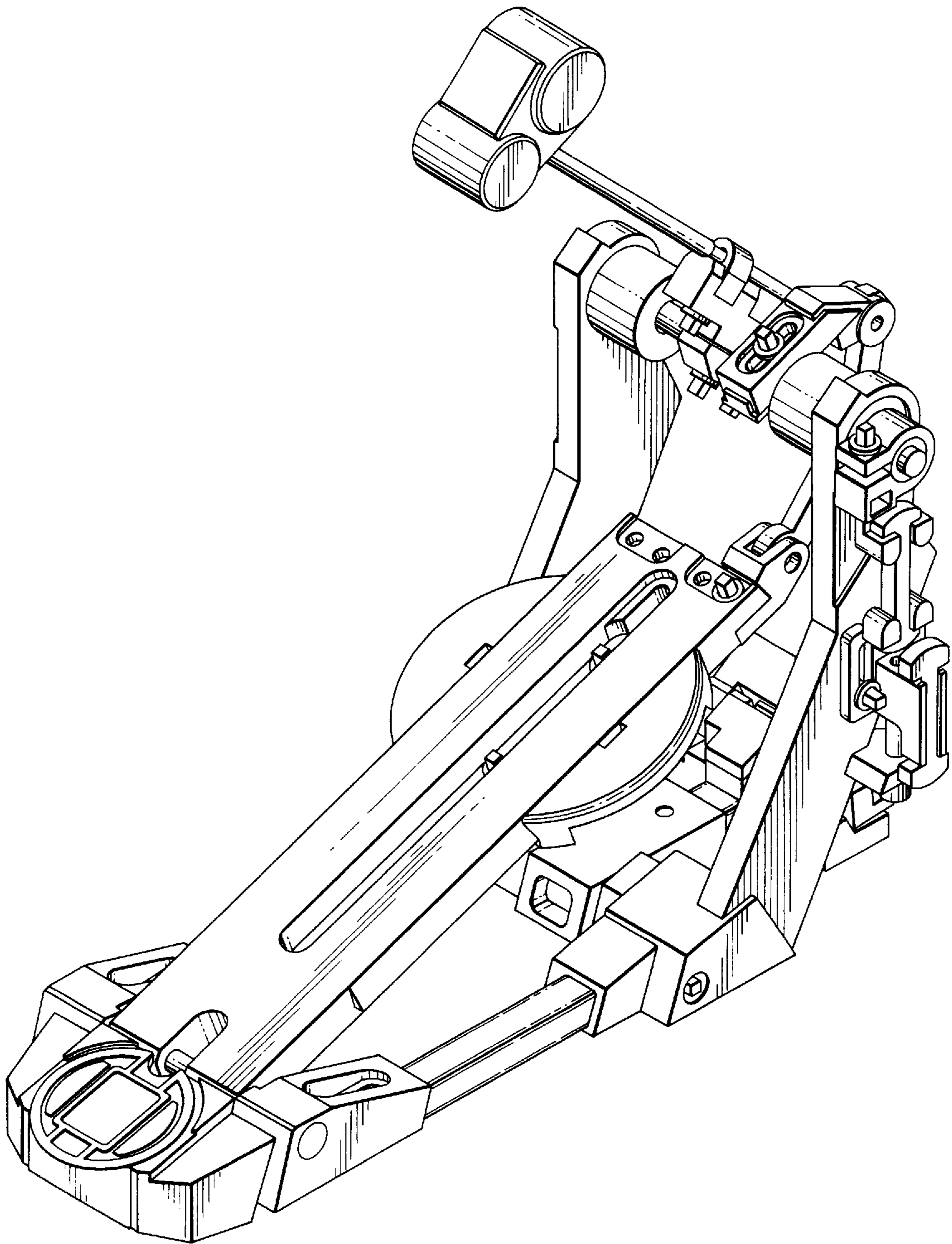
1 Claim, 7 Drawing Sheets



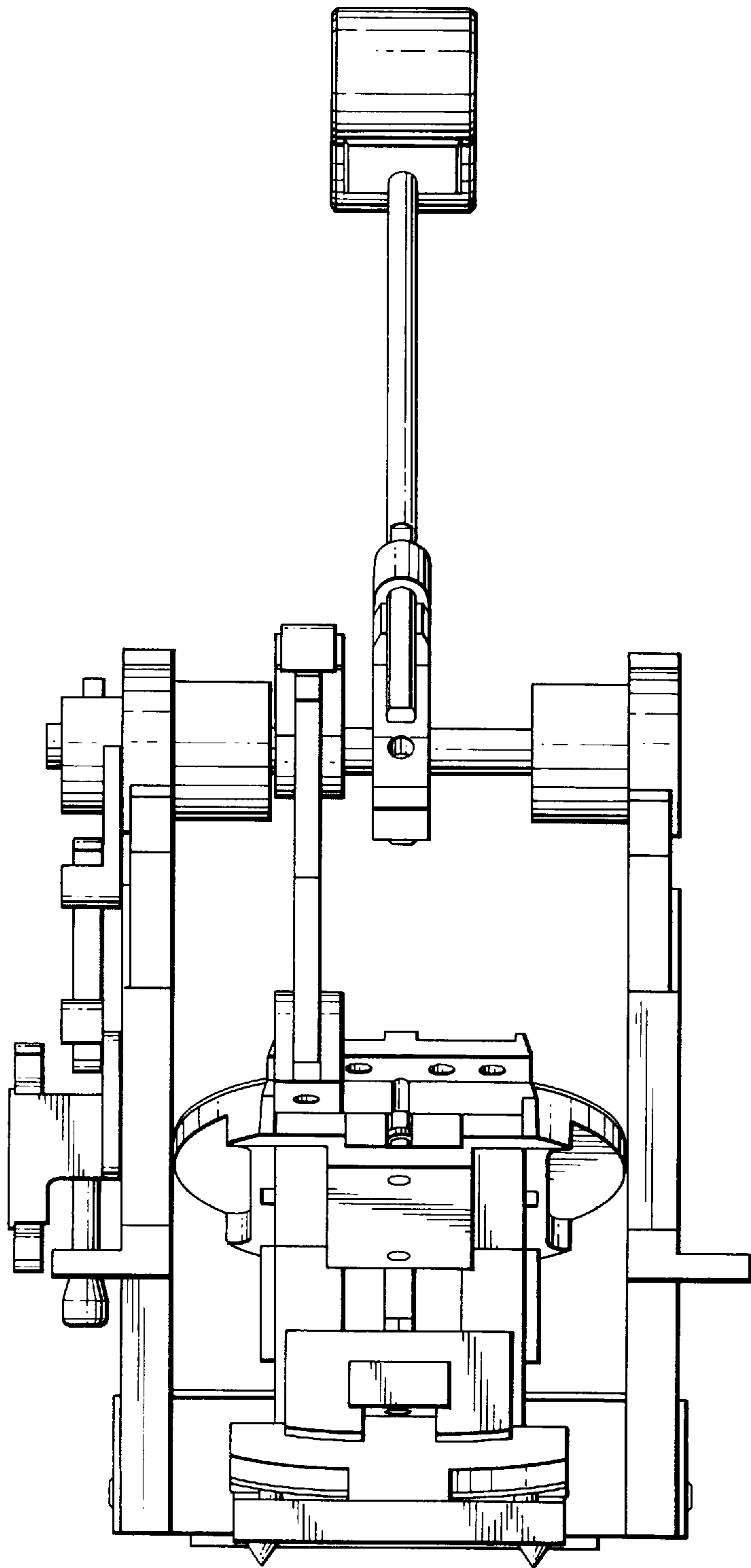


*Fig.1*

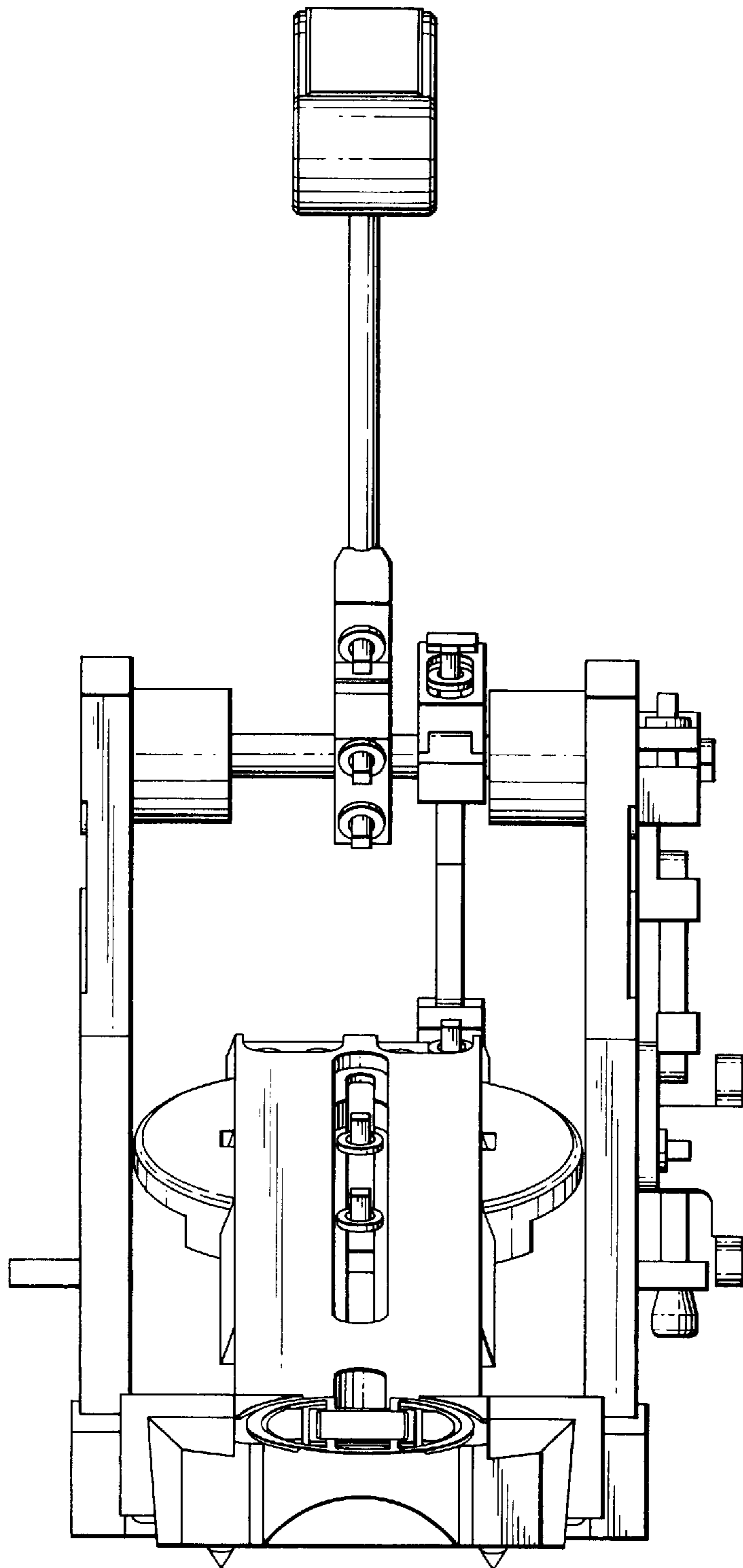




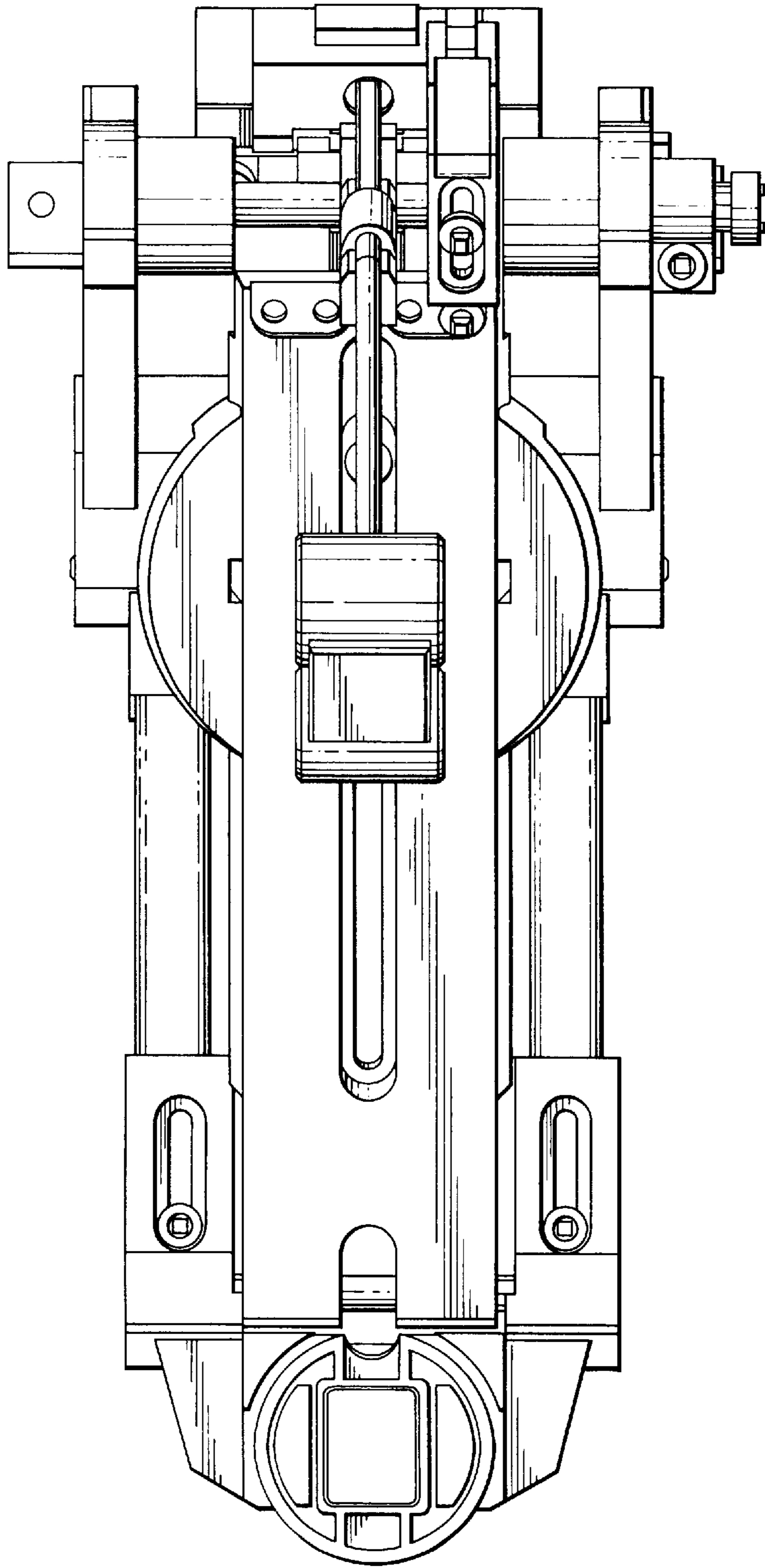
*Fig. 2*



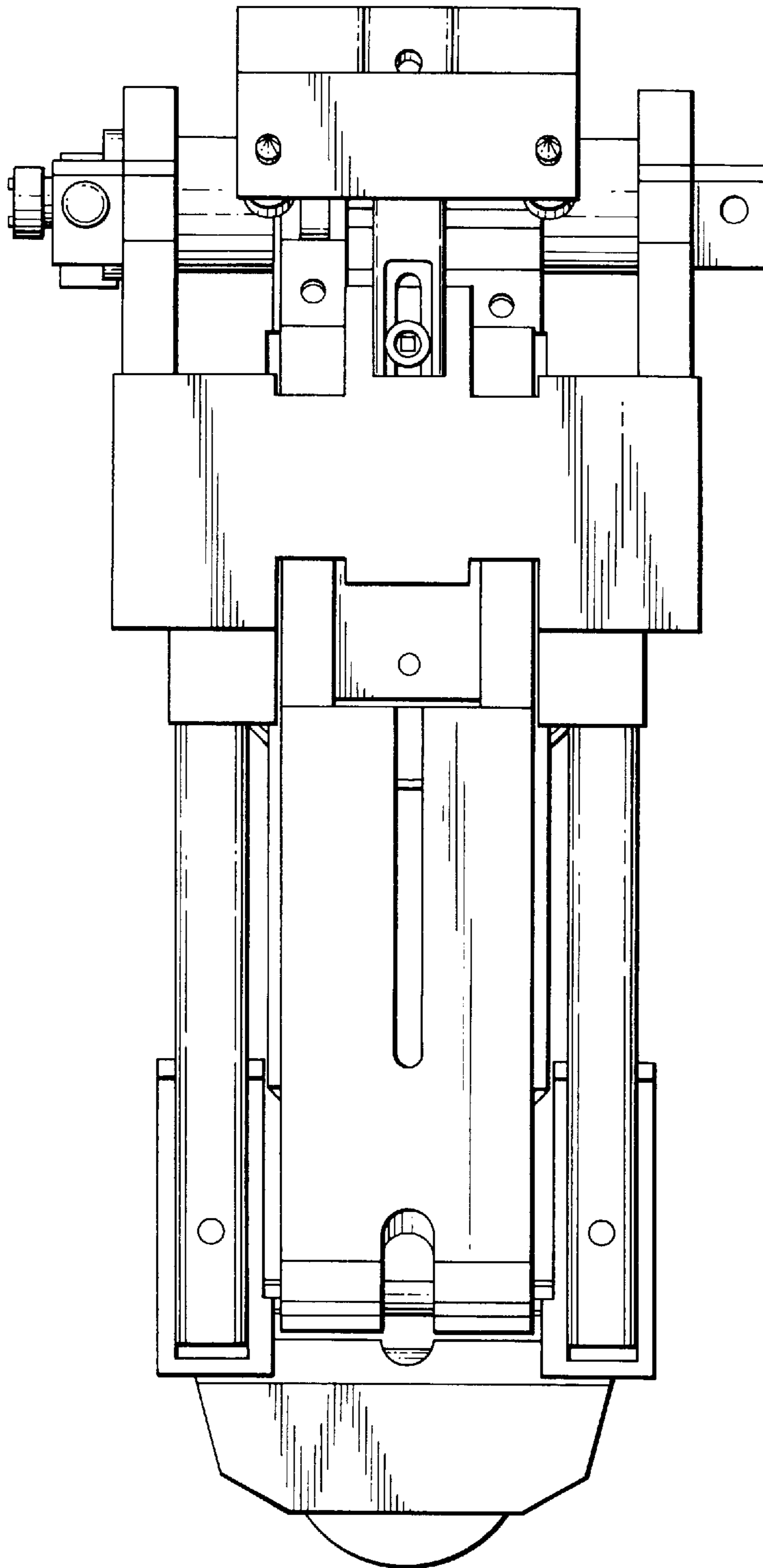
*Fig. 3*



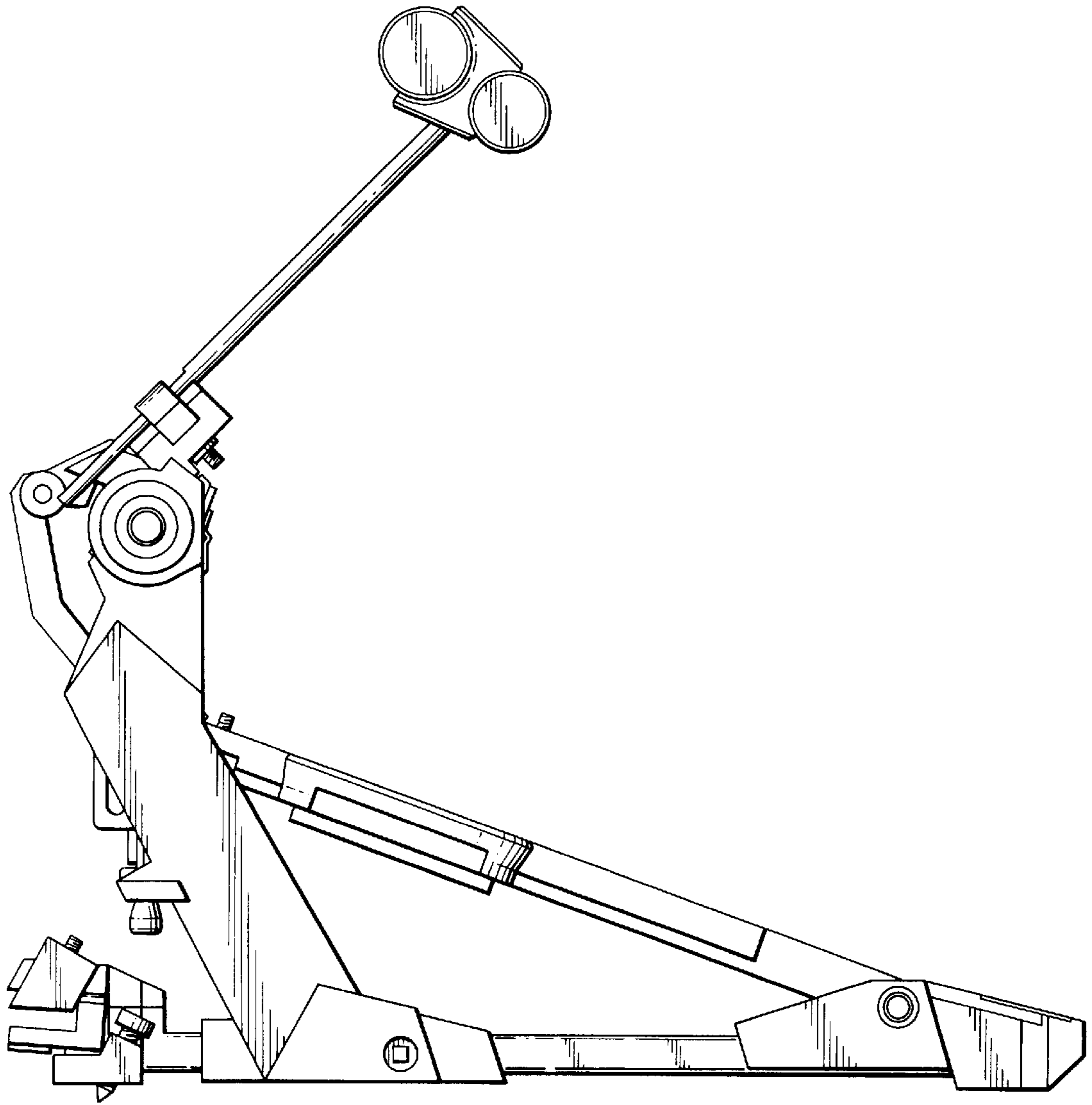
*Fig. 4*



*Fig. 5*



*Fig. 6*



*Fig. 7*