



US00D402680S

# United States Patent [19]

Gotham et al.

[11] Patent Number: Des. 402,680

[45] Date of Patent: \*\*Dec. 15, 1998

[54] FILM SCANNER

5,489,995 2/1996 Iso et al. .... 358/474

[75] Inventors: **David R. Gotham**, Rochester; **Thomas D. Jensen**, Holley; **Dana A. Carlile**, Webster, all of N.Y.

*Primary Examiner*—Ted Shooman  
*Assistant Examiner*—Adir Aronovich  
*Attorney, Agent, or Firm*—Francis H. Boos, Jr.

[73] Assignee: **Eastman Kodak Company**, Rochester, N.Y.

[57] **CLAIM**

The ornamental design for a film scanner, as shown and described.

[\*\*] Term: **14 Years**

**DESCRIPTION**

[21] Appl. No.: **80,846**

FIG. 1 is a front, top and right side view of a film scanner showing our new design, with the film cartridge chamber access door closed;

[22] Filed: **Nov. 14, 1997**

FIG. 2 is a front elevational view thereof;

[51] **LOC (6) Cl.** ..... **16-04**

FIG. 3 is a top plan view thereof;

[52] **U.S. Cl.** ..... **D16/246**; D13/177; D14/115

FIG. 4 is a bottom plan view thereof;

[58] **Field of Search** ..... D13/177; D14/107, D14/115; D16/246–250; 250/566, 568; 355/64, 65; 358/408, 474

FIG. 5 is a right-side elevation view thereof;

FIG. 6 is a left-side elevation view thereof; and,

[56] **References Cited**

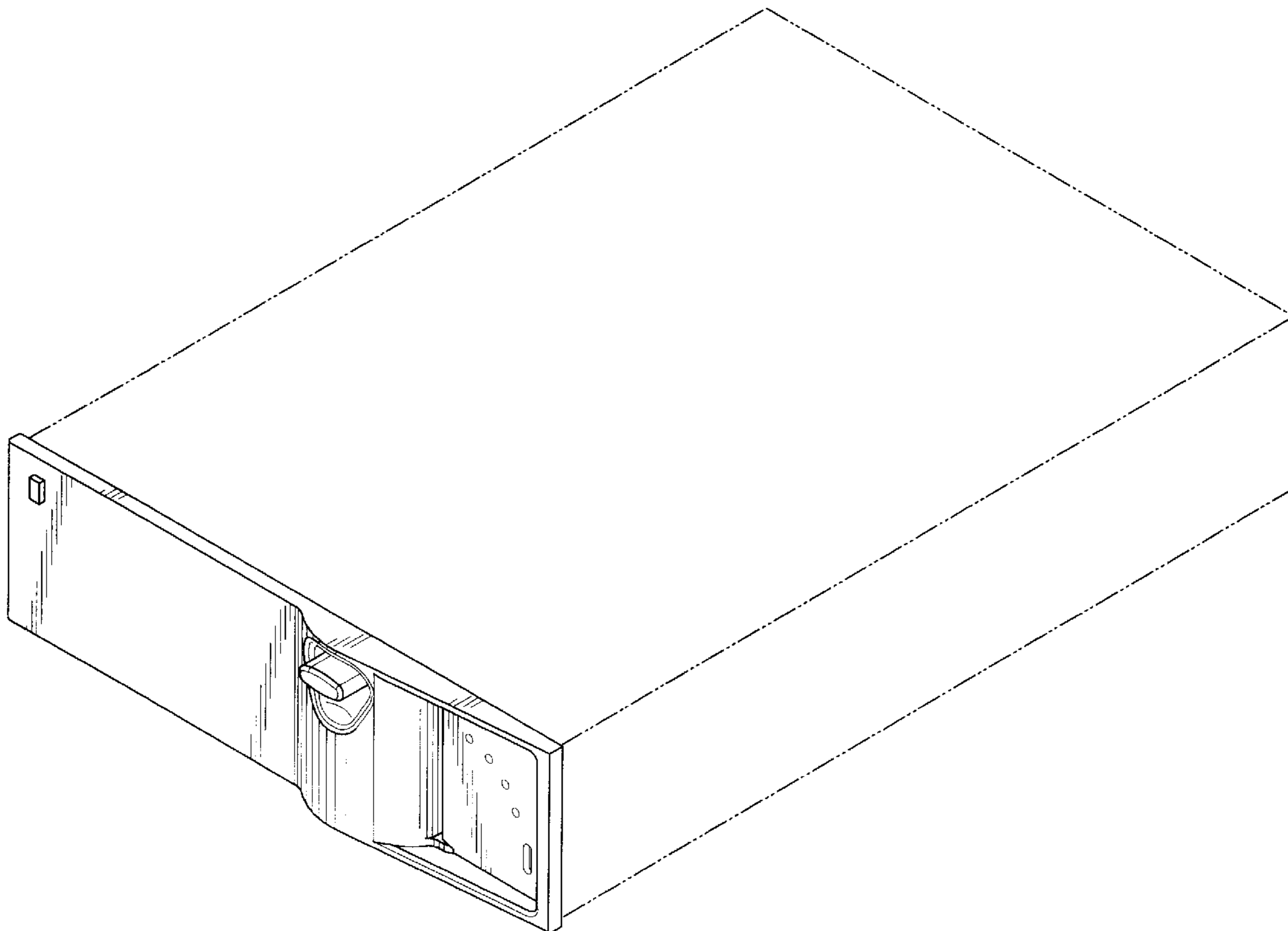
**U.S. PATENT DOCUMENTS**

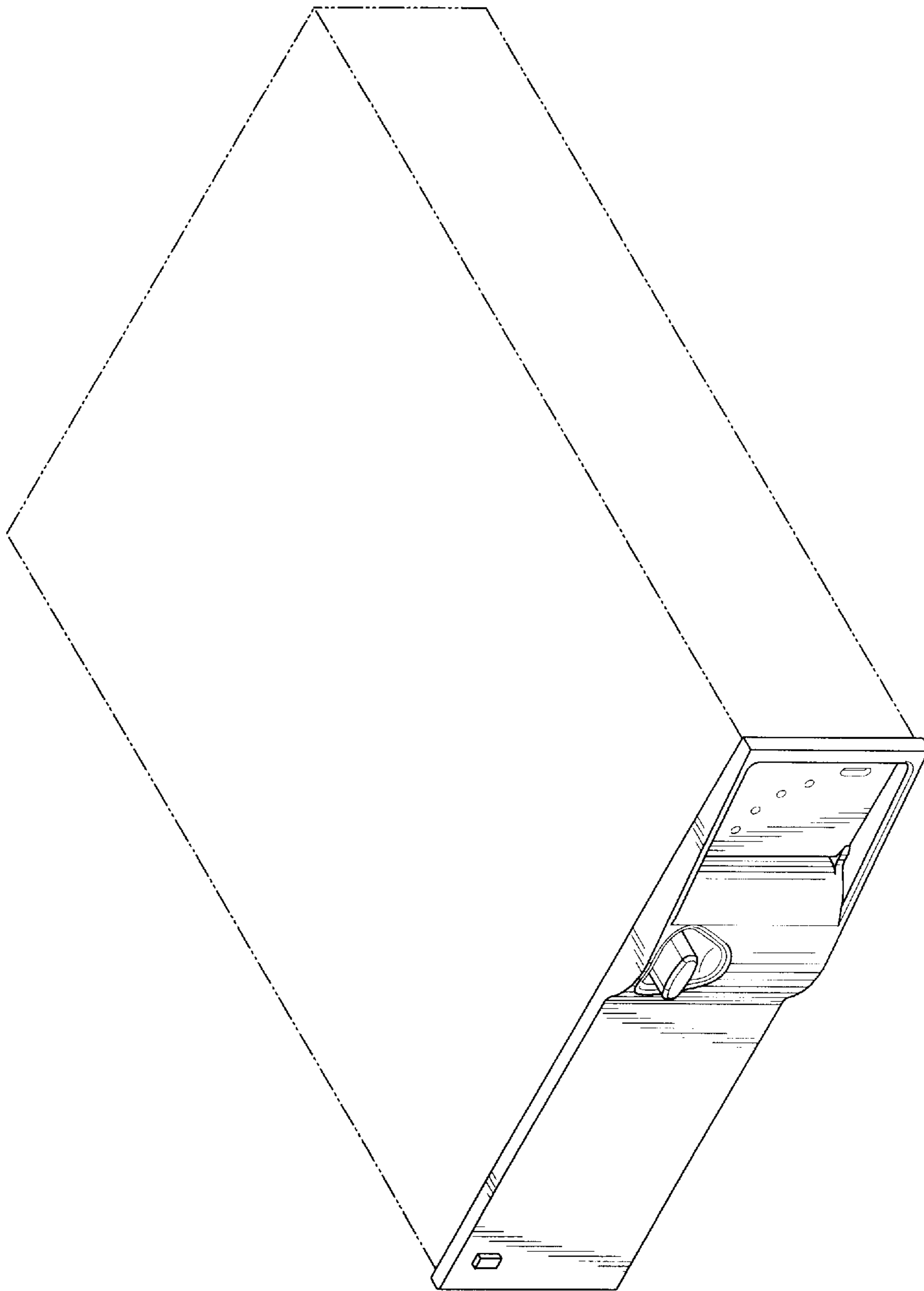
- D. 374,439 10/1996 Patterson et al. .... D14/115
- D. 376,591 12/1996 Drucker et al. .... D14/115
- D. 377,646 1/1997 Hirabayashi ..... D14/107
- D. 380,211 6/1997 Aderman et al. .... D14/115

FIG. 7 is a front, top, right-side perspective view thereof with film cartridge chamber access door open.

The broken lines of the case for insertion into a desktop computer bay in FIGS. 1 and 3–7 are for illustrative purposes only and form no part of the claimed design.

**1 Claim, 7 Drawing Sheets**





*FIG. 1*

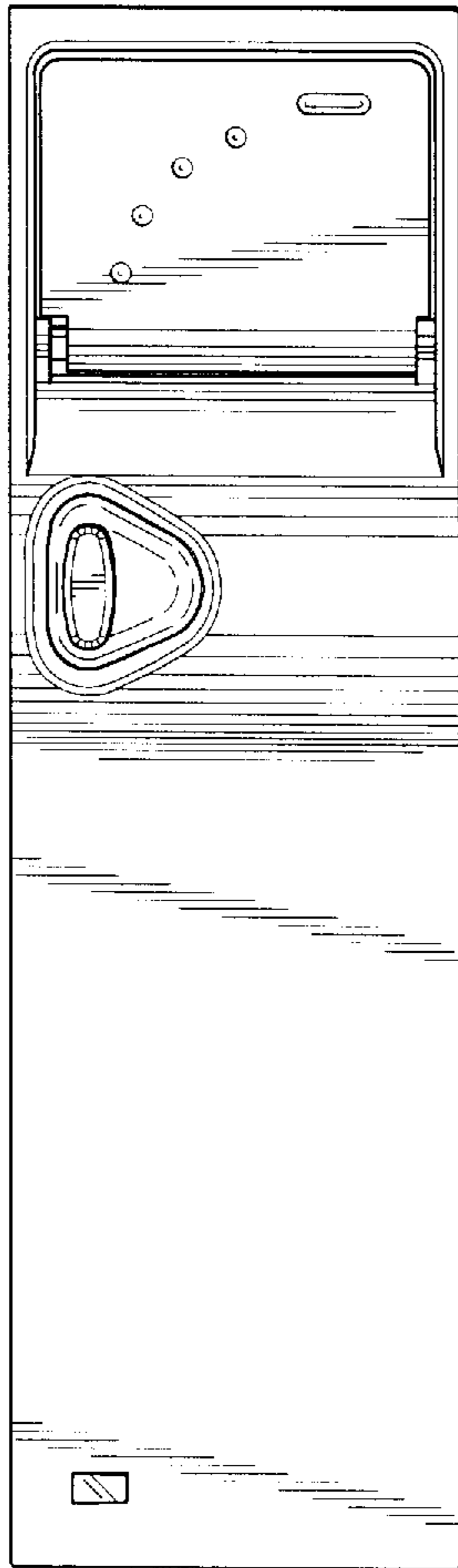
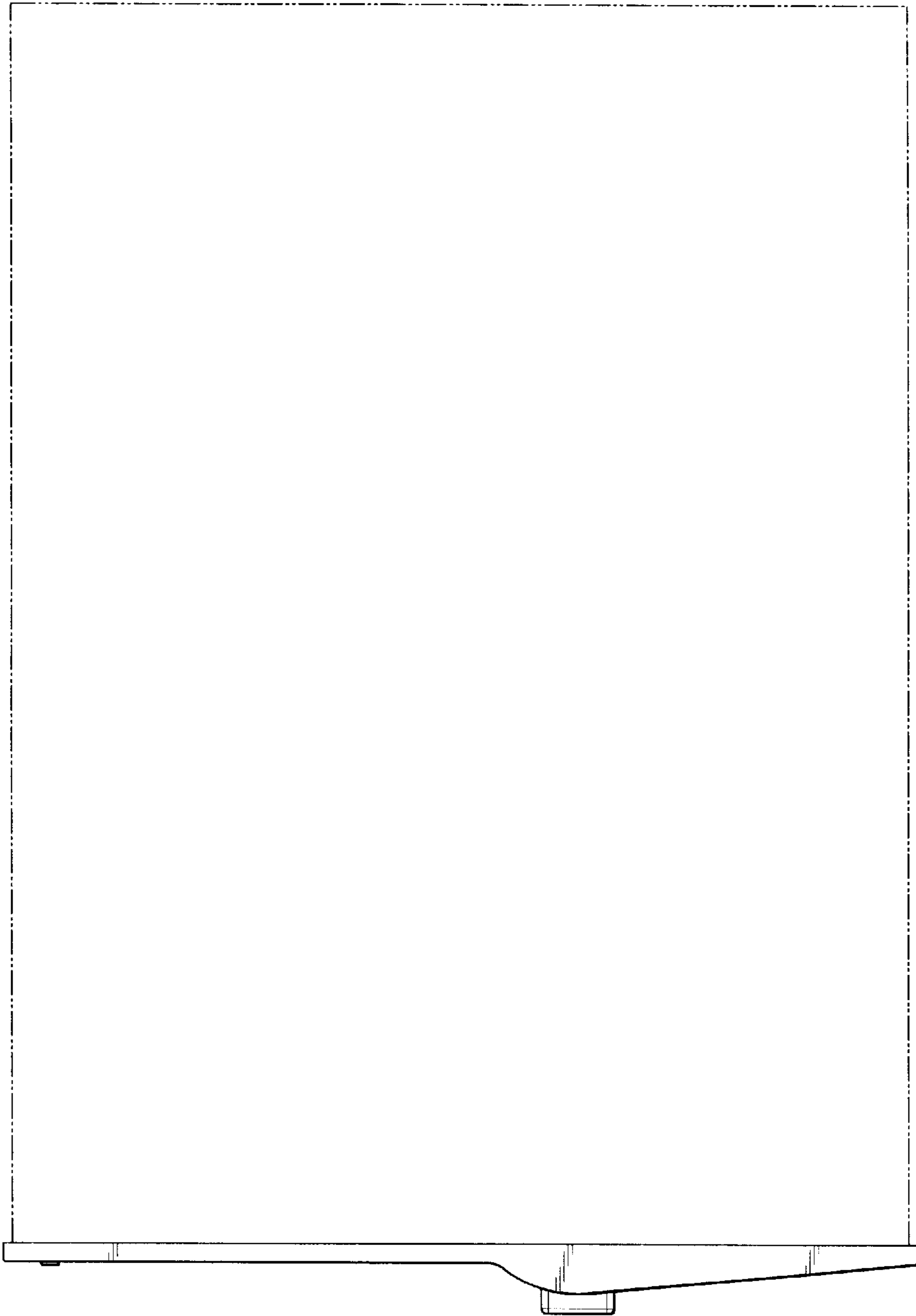
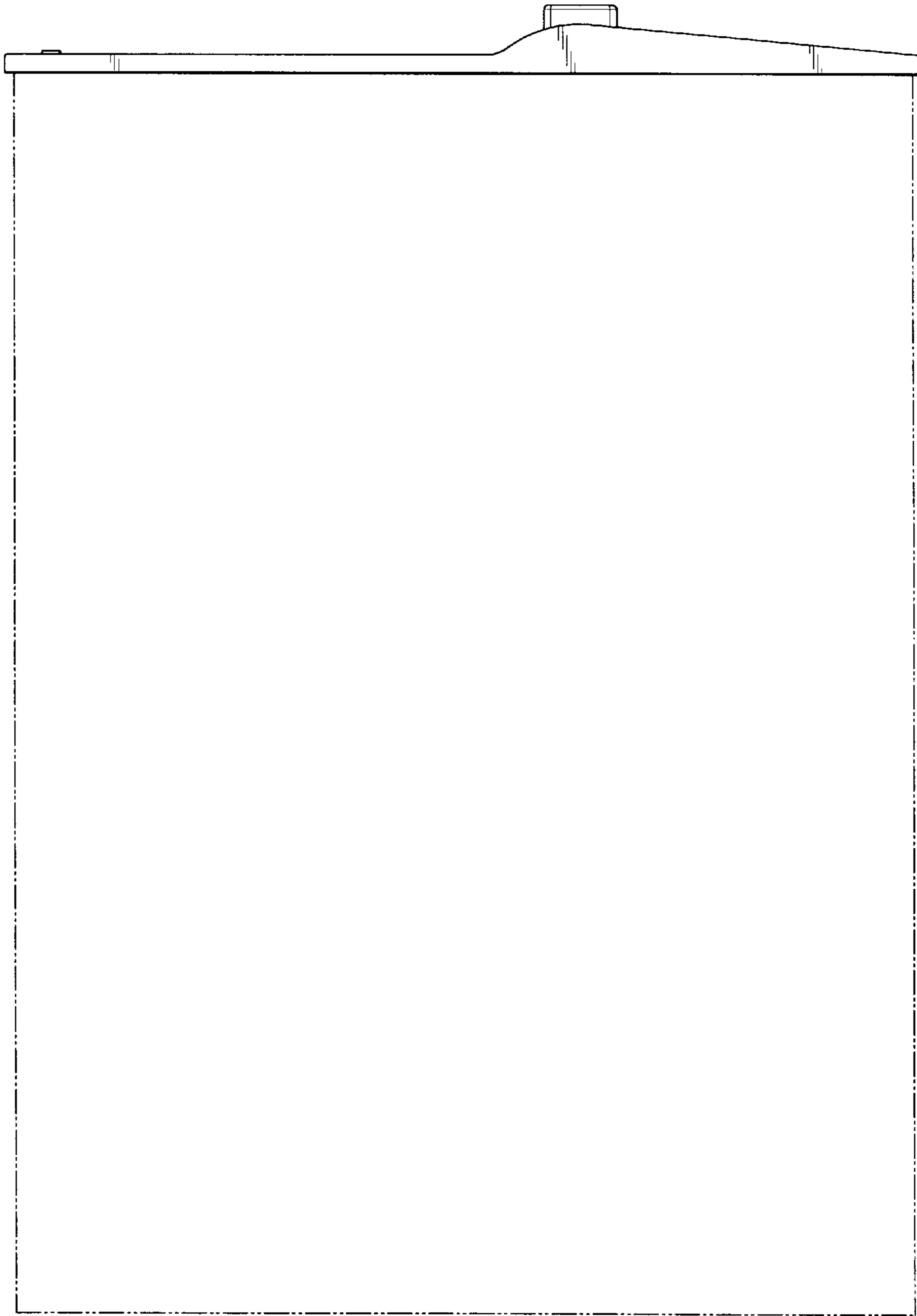


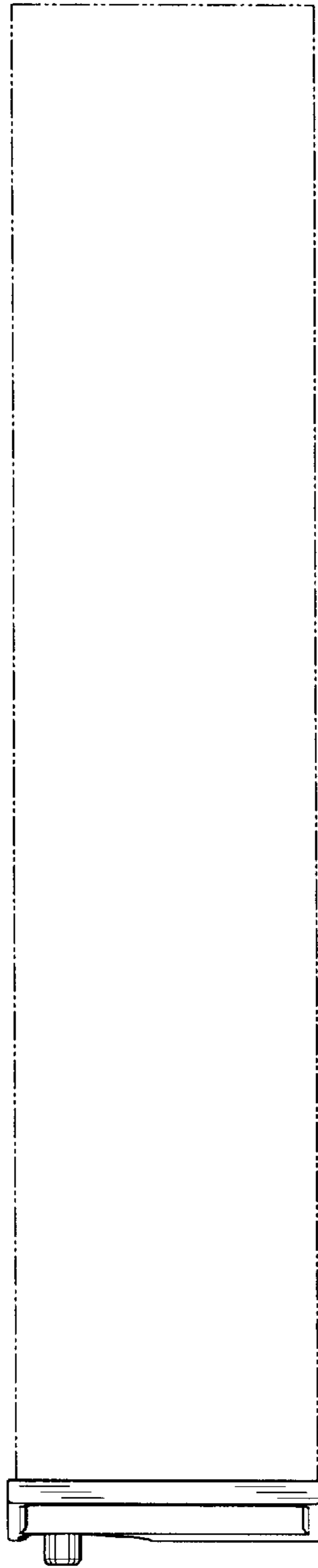
FIG. 2



*FIG. 3*



*FIG. 4*



*FIG. 5*

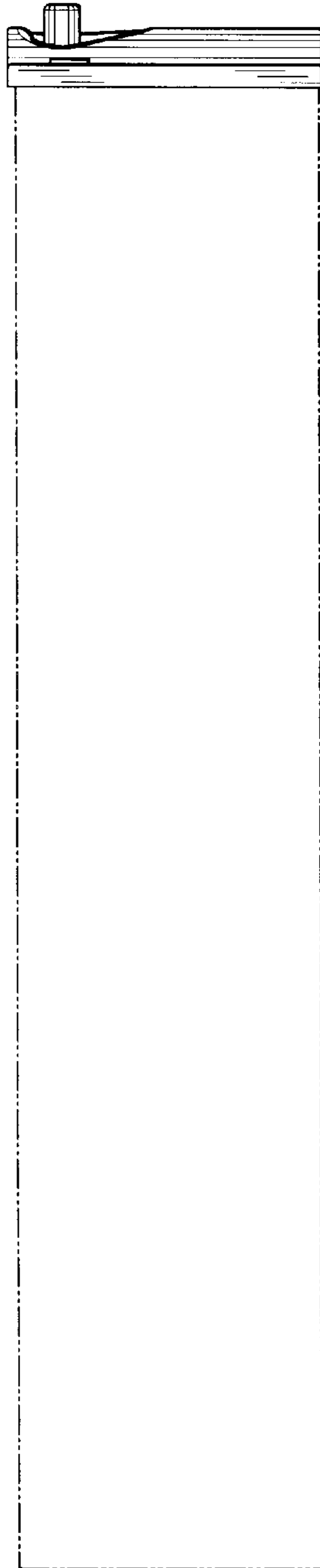
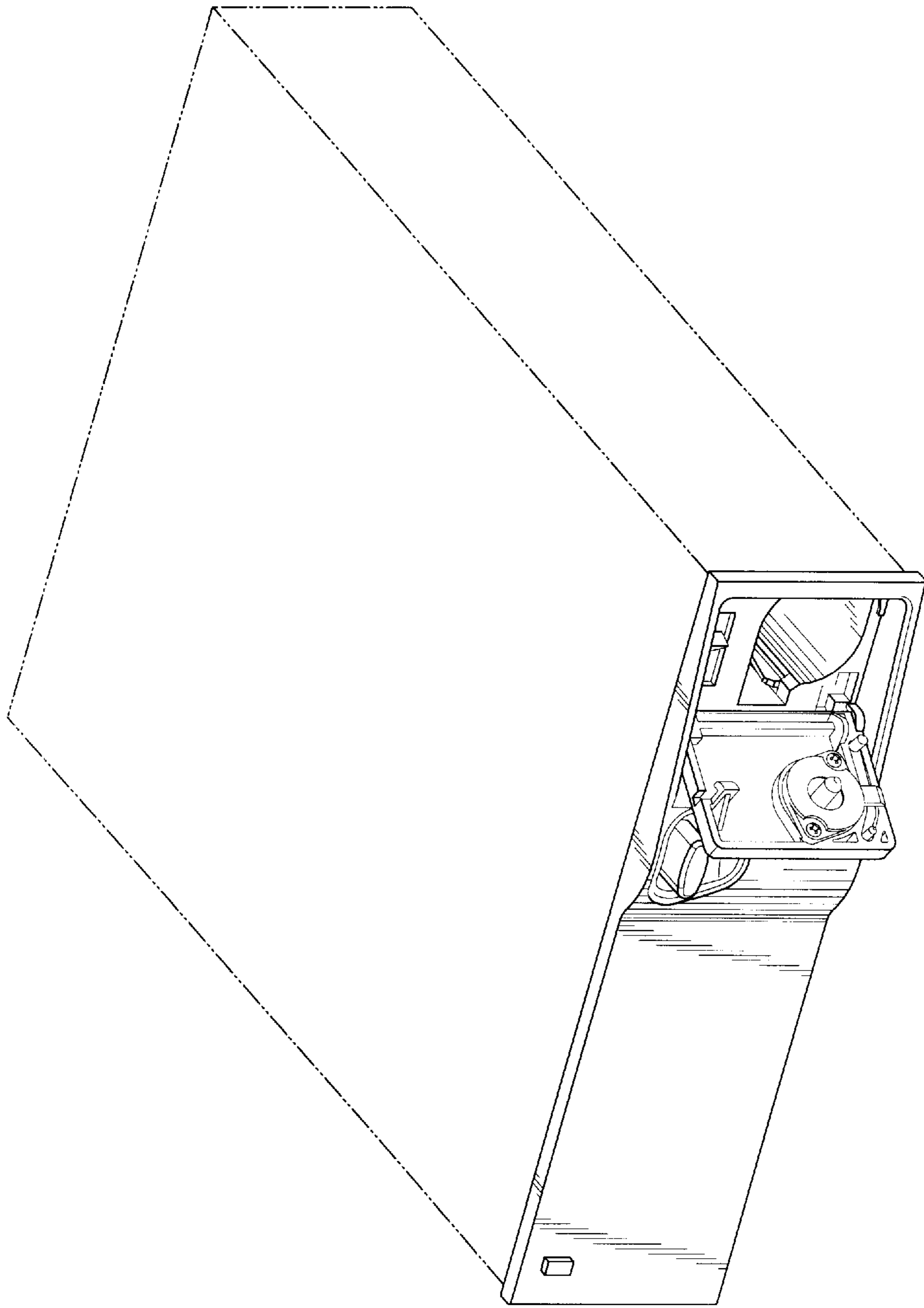


FIG. 6



**FIG. 7**