



US00D402677S

**United States Patent** [19]  
**Hiraguchi**

[11] **Patent Number: Des. 402,677**

[45] **Date of Patent: \*\*Dec. 15, 1998**

[54] **MONITOR CAMERA**

[75] Inventor: **Katsunori Hiraguchi**, Shizuoka, Japan

[73] Assignee: **Star Micronics Co., Ltd.**, Shizuoka, Japan

[\*\*] Term: **14 Years**

[21] Appl. No.: **81,261**

[22] Filed: **Dec. 29, 1997**

[30] **Foreign Application Priority Data**

Jul. 31, 1997 [JP] Japan ..... 9-63530

[51] **LOC (6) Cl.** ..... **16-01**

[52] **U.S. Cl.** ..... **D16/203**

[58] **Field of Search** ..... D16/200-205;  
348/143, 373-376; 396/427, 419, 535-543

[56] **References Cited**

**U.S. PATENT DOCUMENTS**

- D. 248,305 6/1978 Scott ..... D16/203
- D. 307,759 5/1990 Pagano ..... D16/203
- D. 340,263 10/1993 Fedorczak ..... D16/203

- D. 388,450 12/1997 Hamano et al. .... D16/203
- 5,418,567 5/1995 Boers et al. .... 348/375

**FOREIGN PATENT DOCUMENTS**

- 976911 12/1996 Japan .
- 976912 12/1996 Japan .

*Primary Examiner*—Philip S. Hyder  
*Assistant Examiner*—Adir Aronovich  
*Attorney, Agent, or Firm*—Sughrue, Mion, Zinn, Macpeak & Seas, PLLC

[57] **CLAIM**

The ornamental design for a monitor camera, as shown.

**DESCRIPTION**

FIG. 1 is a perspective view of the top, front and right side of a monitor camera showing my new design; FIG. 2 is a front elevational view thereof; FIG. 3 is a top plan view thereof; FIG. 4 is a left side elevational view thereof; FIG. 5 is a right side elevational view thereof; FIG. 6 is a rear elevational view thereof; and, FIG. 7 is a bottom plan view thereof.

**1 Claim, 7 Drawing Sheets**

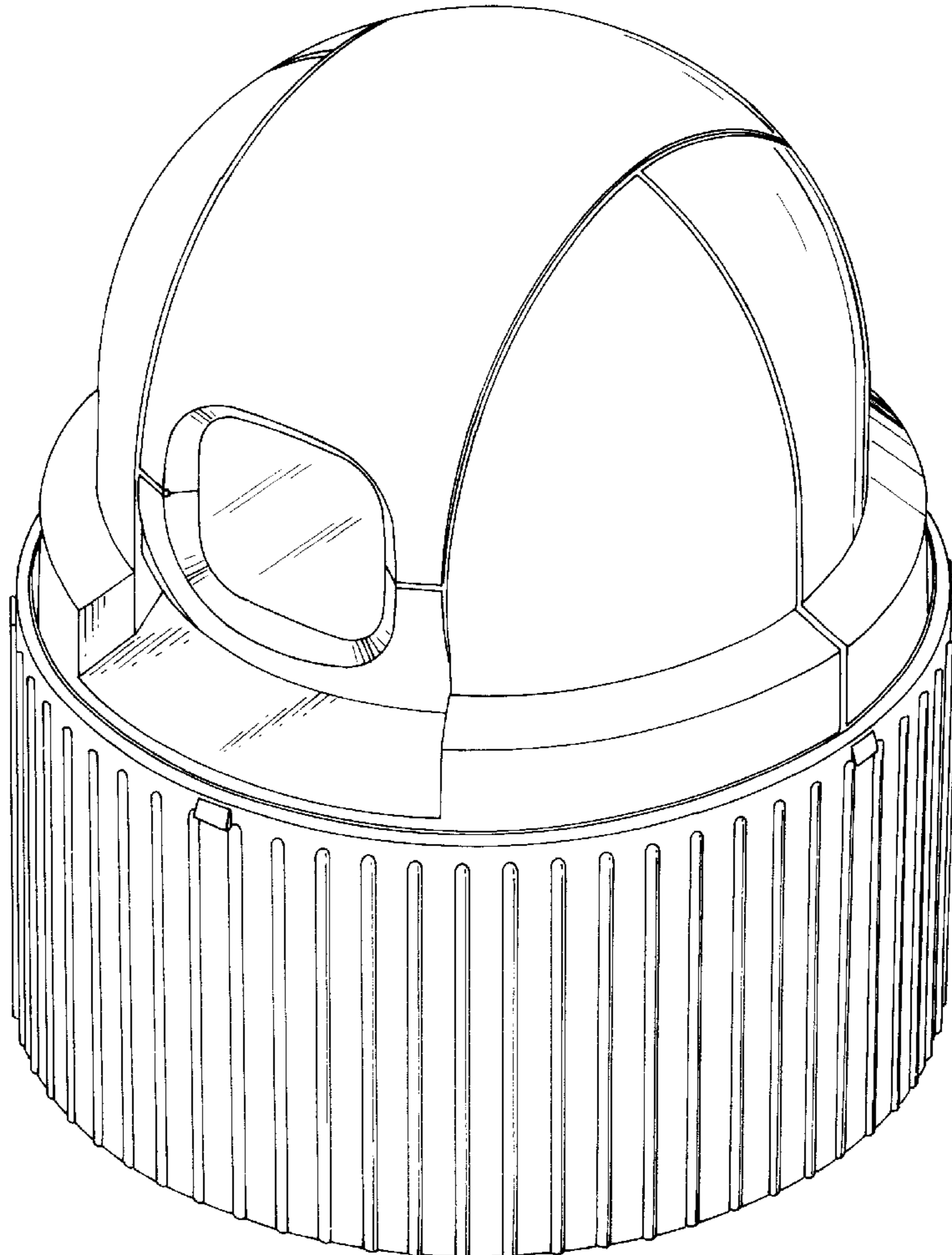


Fig. 1

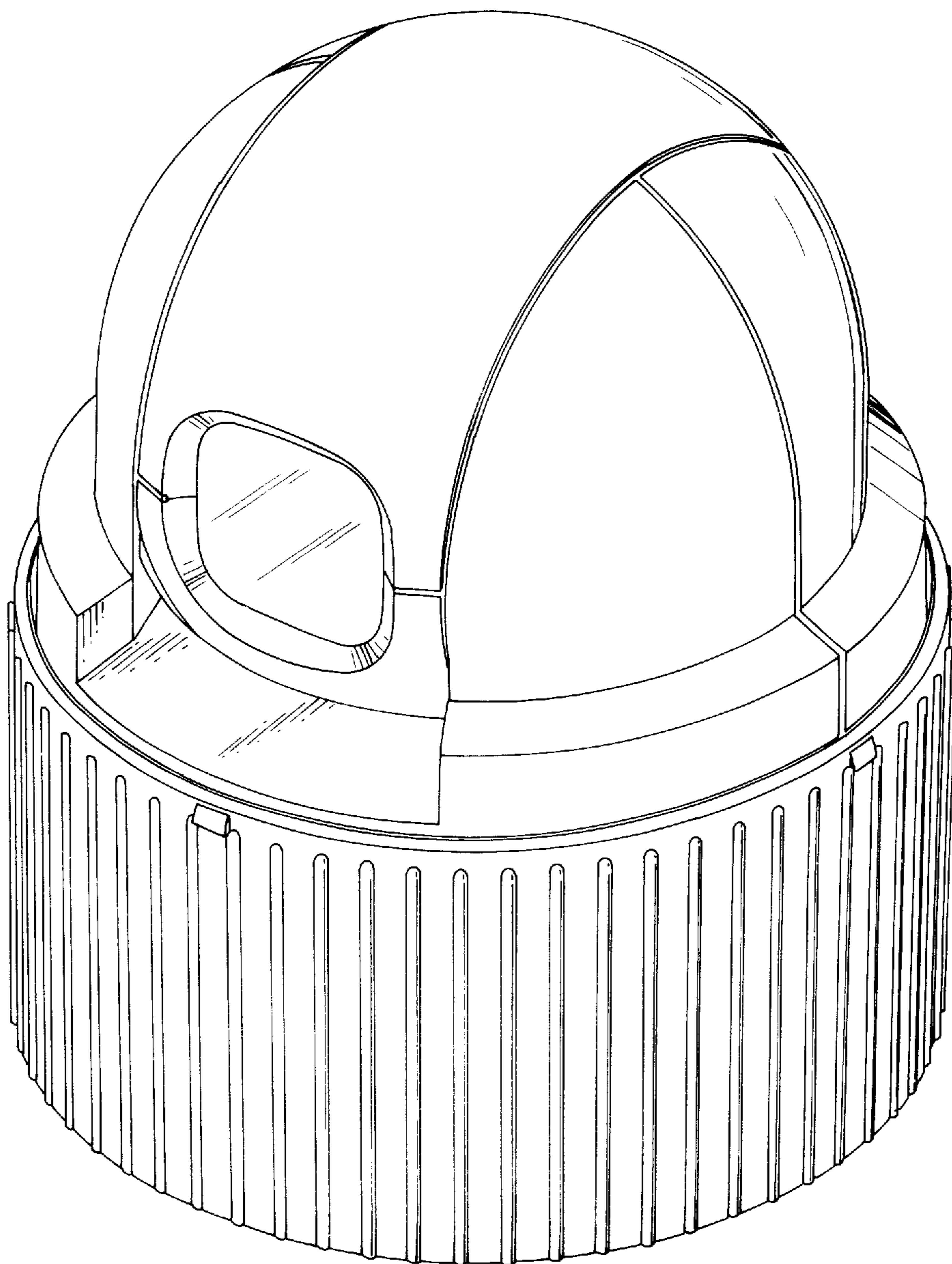


Fig. 2

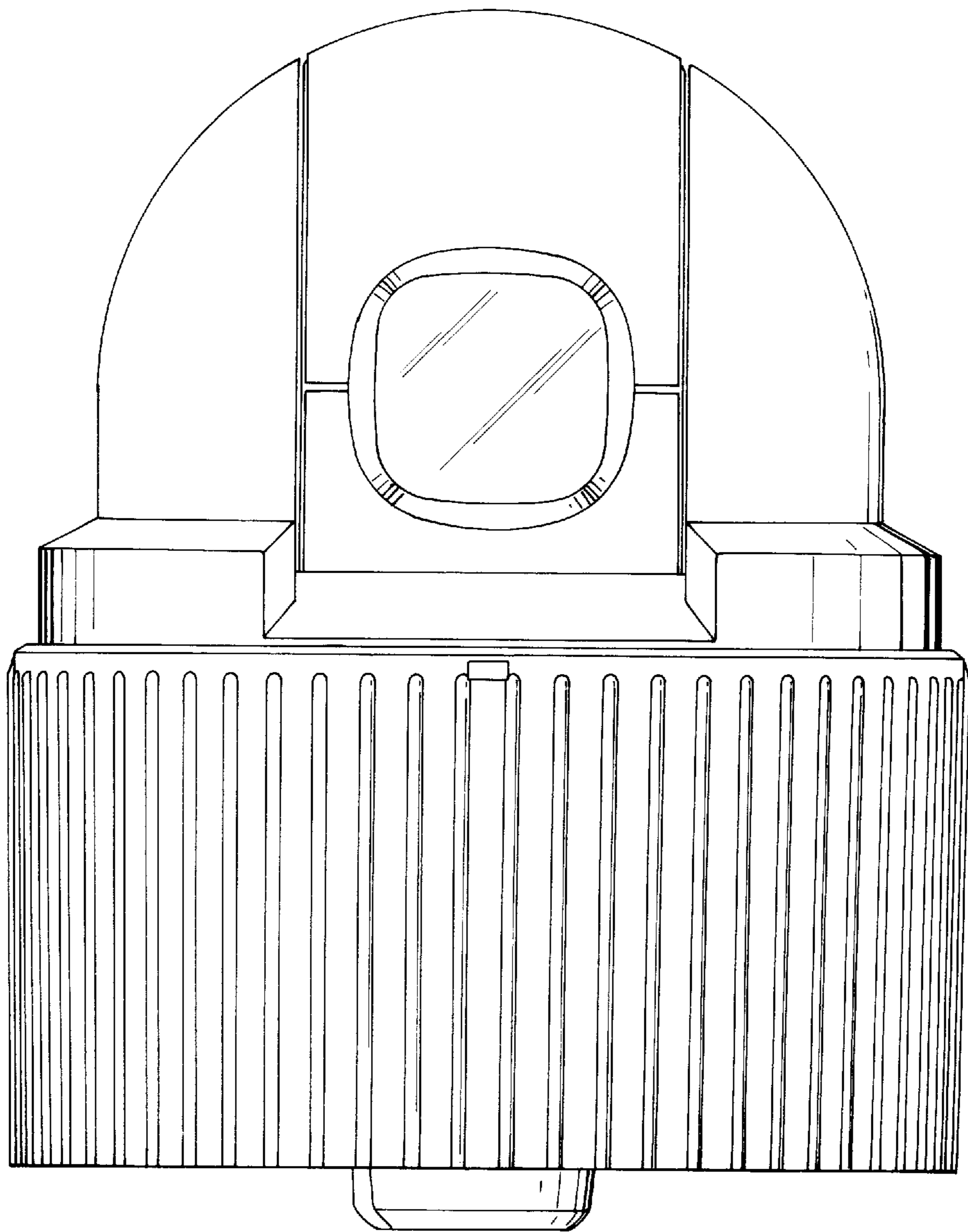


Fig. 3

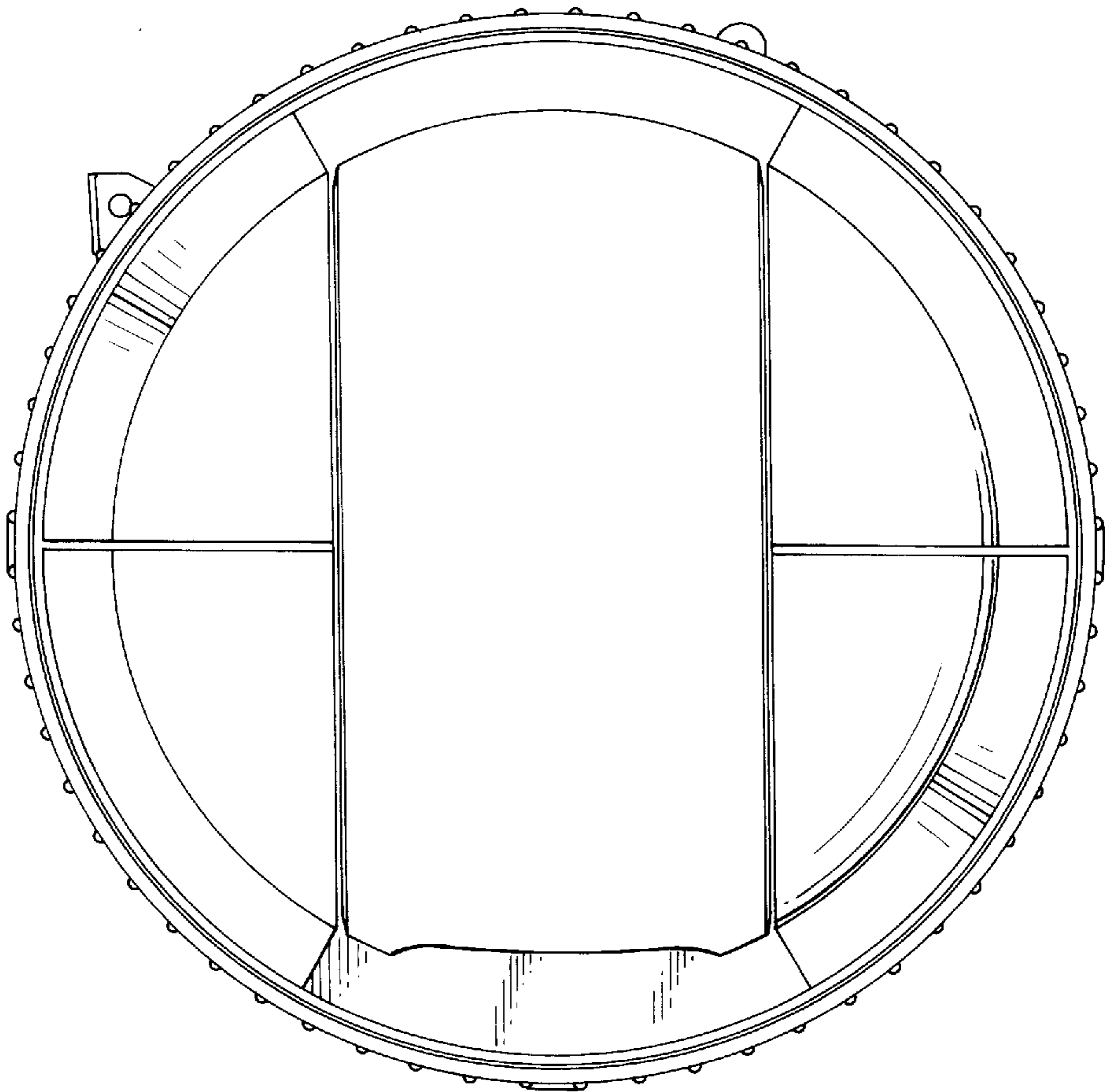


Fig. 4

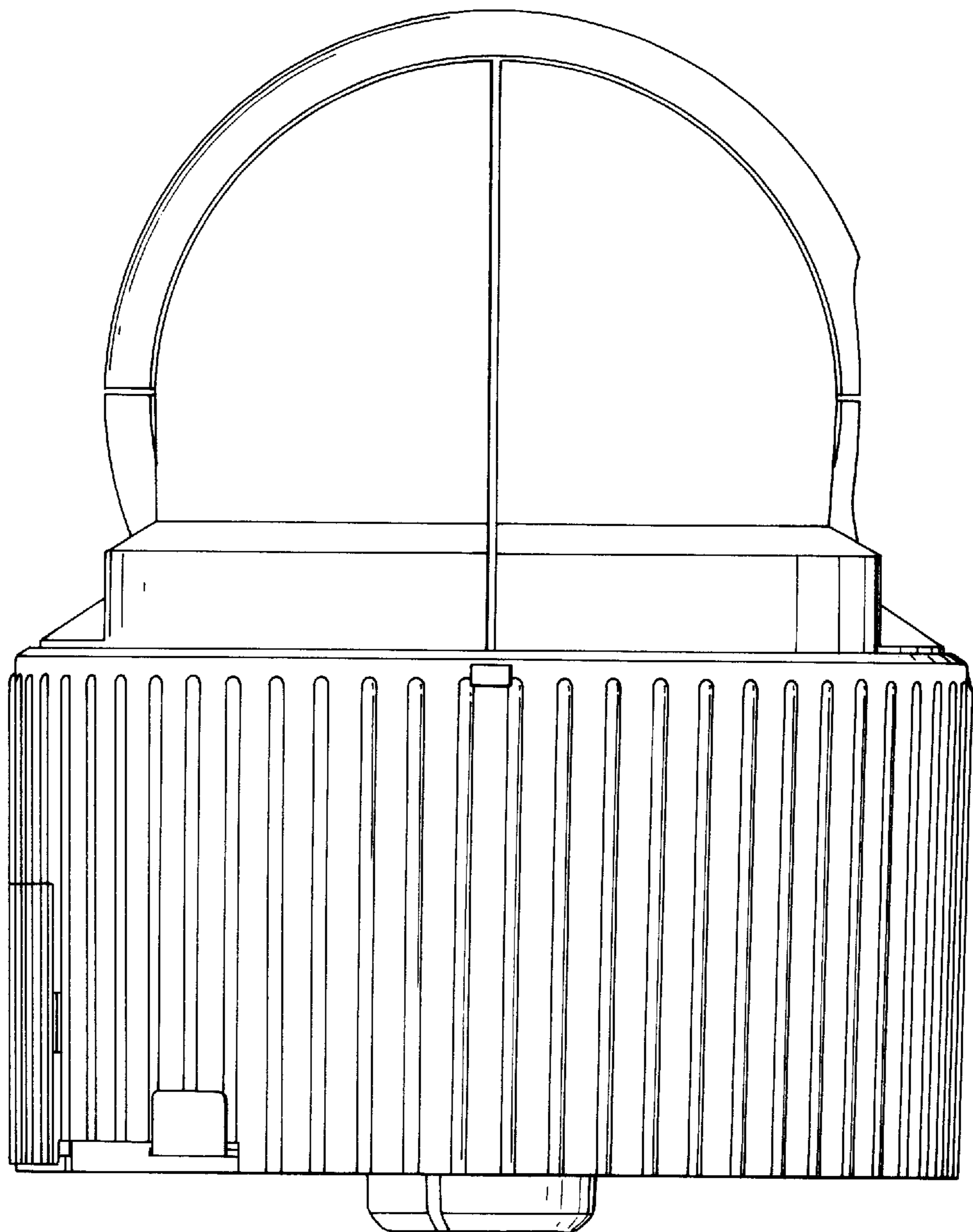


Fig. 5

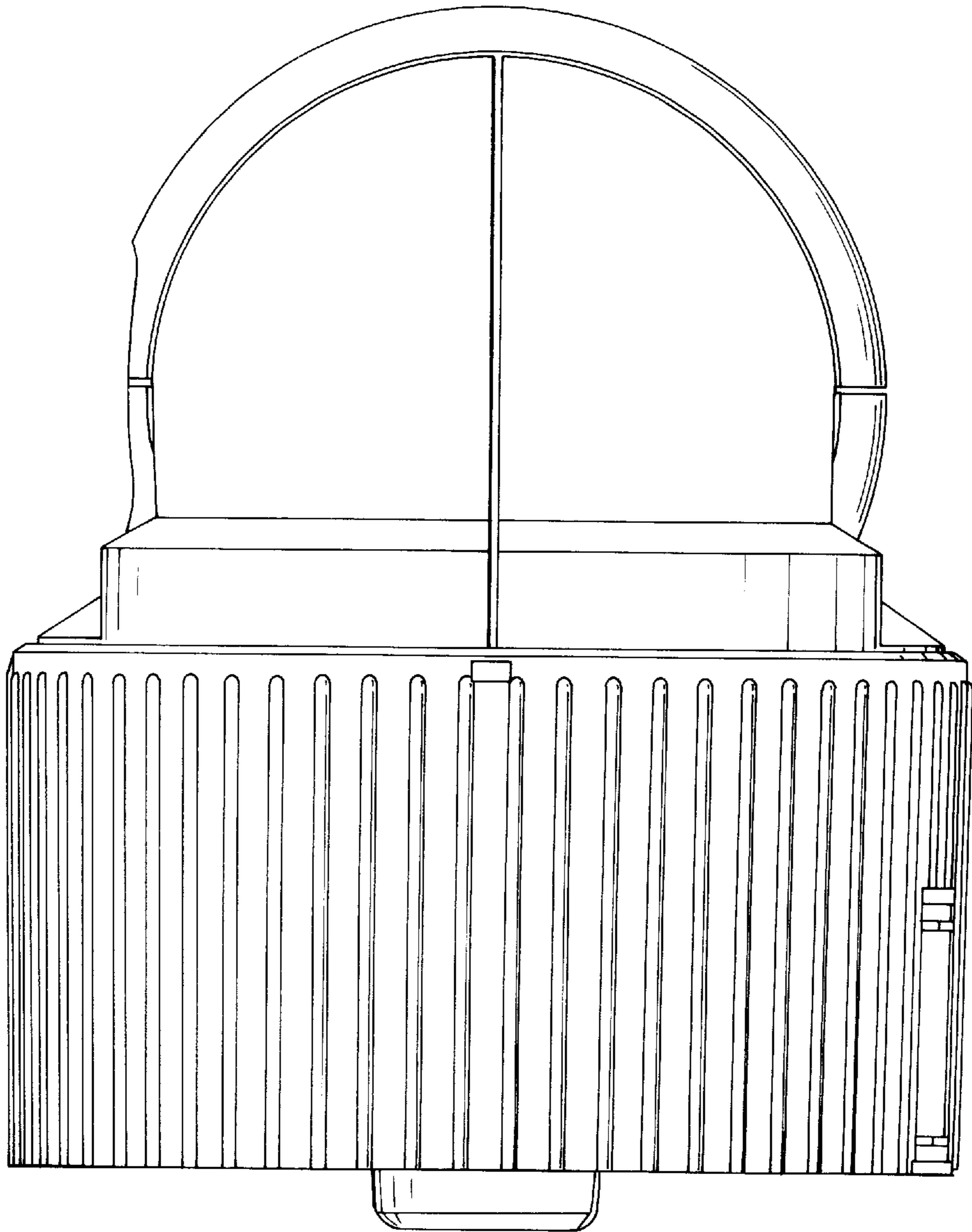


Fig. 6

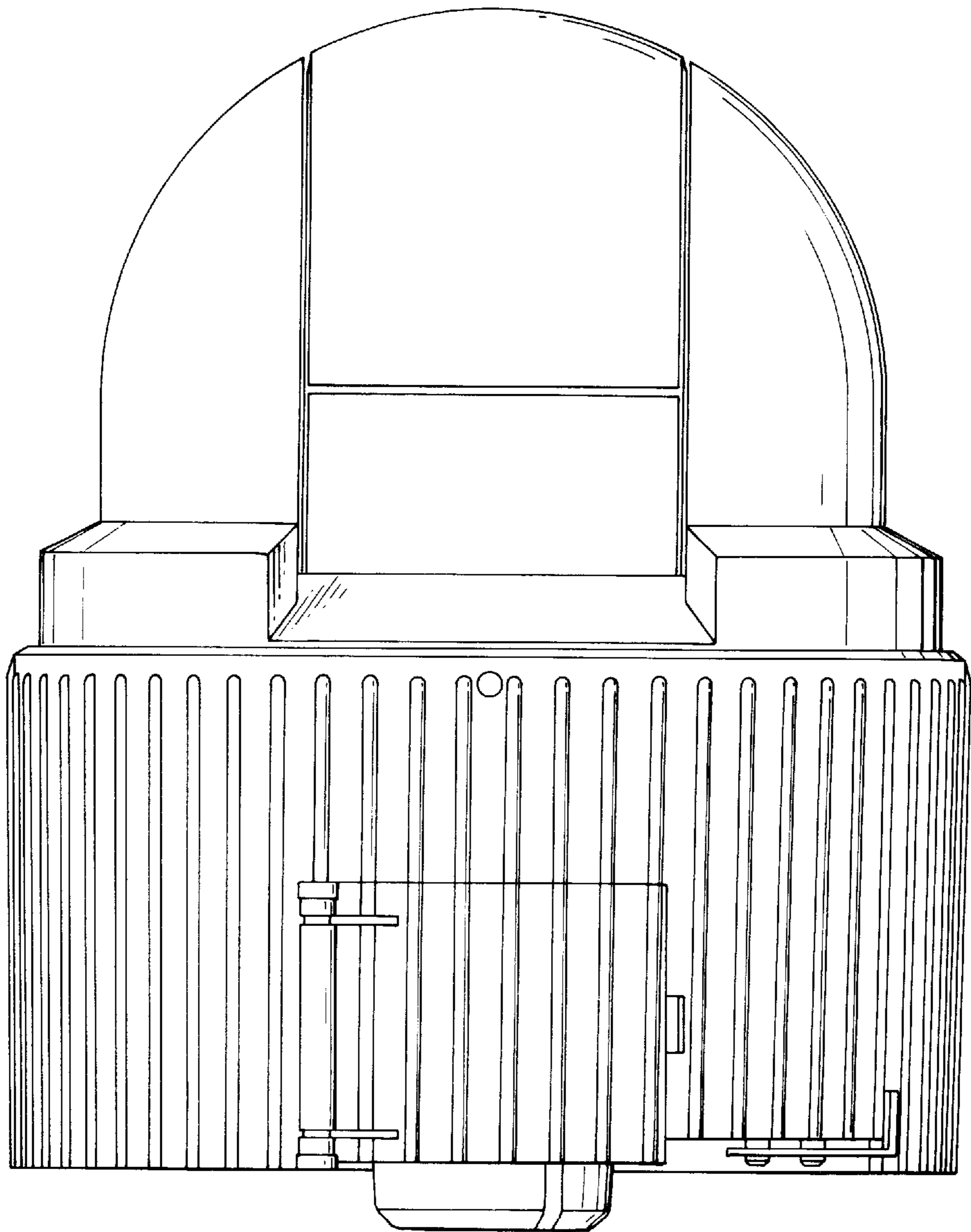


Fig. 7

