

US00D402676S

United States Patent [19]

Mascarenas, Sr. et al.

[11] Patent Number: **Des. 402,676**

[45] Date of Patent: ****Dec. 15, 1998**

[54] **DIGITAL CAMERA**

D. 380,001 6/1997 Van De Loo D16/202
5,130,812 7/1992 Yamaoka 358/909.1

[75] Inventors: **John M. Mascarenas, Sr.**, Glendale, Ariz.; **Jay Wilson**, Portola Valley, Calif.; **Hedayat E. Daie**, Fountain Hills, Ariz.; **Randy R. Dunton**; **Thomas C. Jones**, both of Phoenix, Ariz.; **John Amber**, Menlo Park, Calif.; **Wai-Loong Lim**, Mountain View, Calif.; **Gary Waymire**, Menlo Park, Calif.; **Bruce Edwards**, Palo Alto, Calif.

FOREIGN PATENT DOCUMENTS

6-178179 6/1994 Japan H04N 5/225

Primary Examiner—Philip S. Hyder
Assistant Examiner—Adir Aronovich
Attorney, Agent, or Firm—Blakely, Sokoloff, Taylor & Zafman

[73] Assignee: **Intel Corporation**, Santa Clara, Calif.

[**] Term: **14 Years**

[57] CLAIM

The ornamental design for a digital camera, as shown and described.

[21] Appl. No.: **66,874**

[22] Filed: **Feb. 24, 1997**

DESCRIPTION

[51] **LOC (6) Cl.** **16-01**

[52] **U.S. Cl.** **D16/202**

[58] **Field of Search** D16/200–205,
D16/208–210, 211–213, 216–218; 348/373–376;
358/906, 909.1

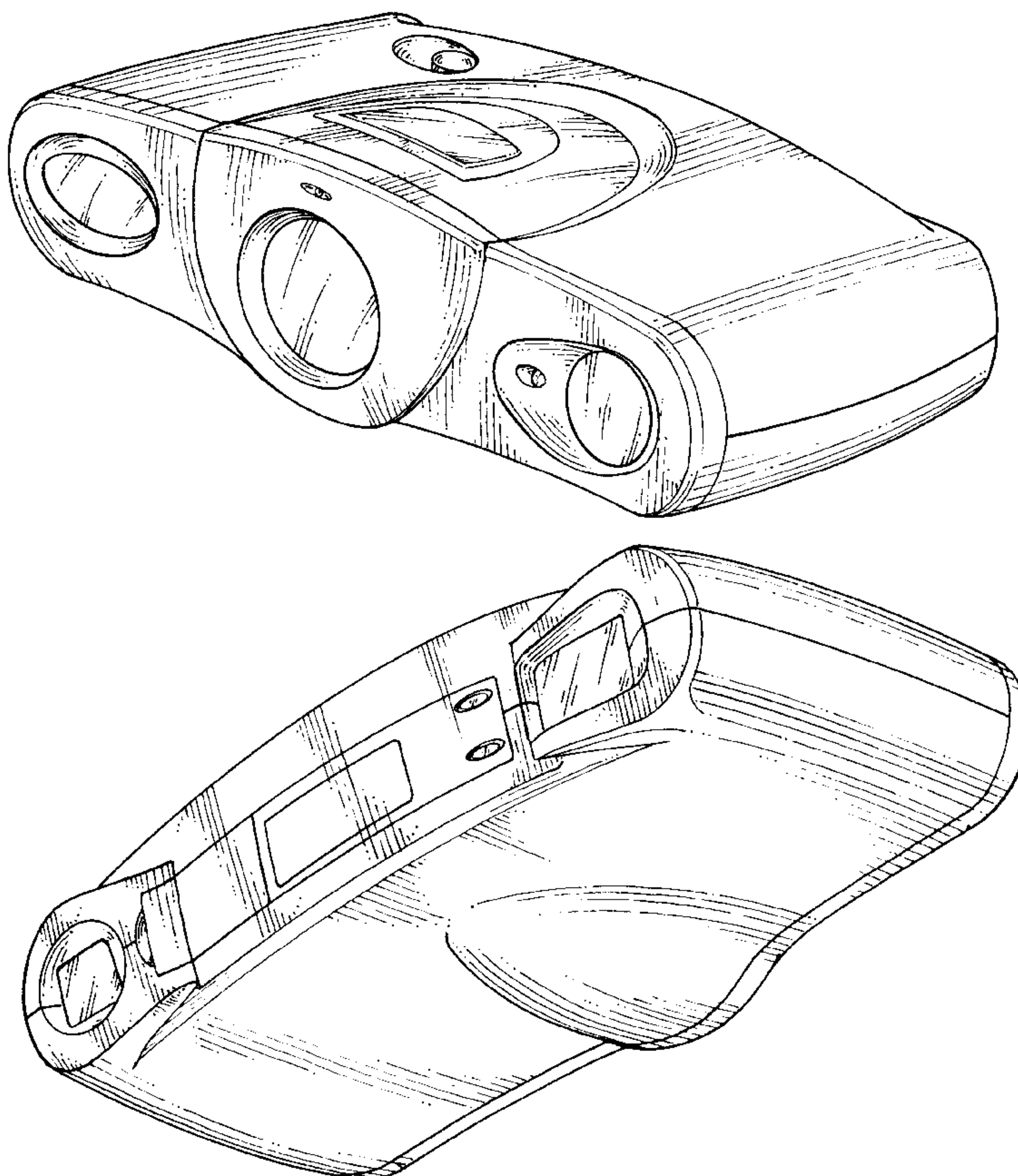
FIG. 1 shows a perspective view of the top, front and right side of the digital camera;
FIG. 2 shows perspective view of the bottom, rear and left side thereof;
FIG. 3 shows a top plan thereof;
FIG. 4 shows a front elevational view thereof;
FIG. 5 shows a bottom plan thereof;
FIG. 6 shows a rear elevational view thereof;
FIG. 7 shows a right side elevational view thereof;
FIG. 8 shows a left side elevational view thereof; and,
FIG. 9 shows a rear elevational view of an alternative embodiment, the other views remaining the same as FIGS. 1–5, and 7–8.

[56] References Cited

U.S. PATENT DOCUMENTS

D. 316,866 5/1991 Tejima et al. D16/202
D. 335,499 5/1993 Koinuma D16/202
D. 340,732 10/1993 Sano et al. D16/202
D. 371,379 7/1996 Goshima D16/202

1 Claim, 3 Drawing Sheets



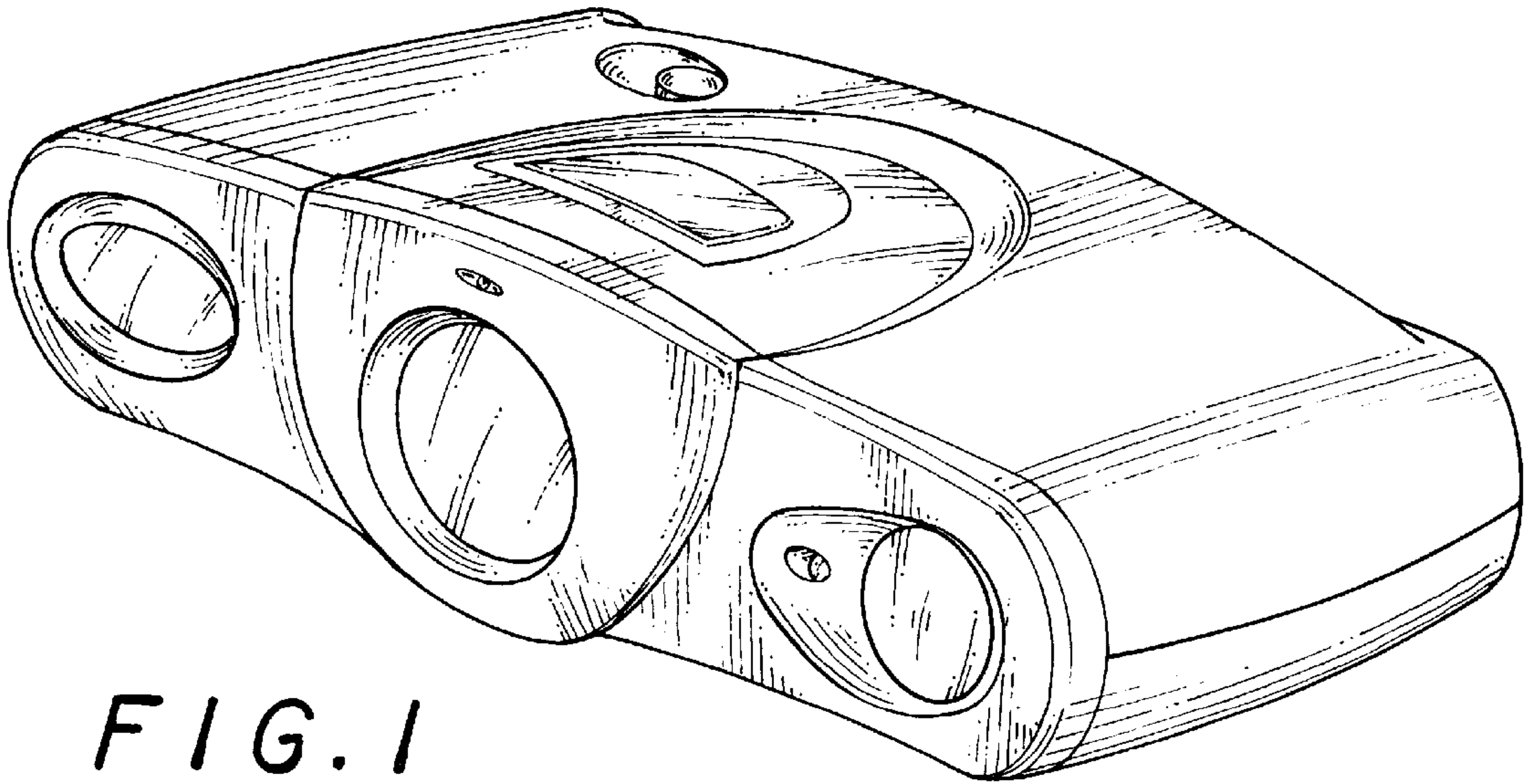


FIG. 1

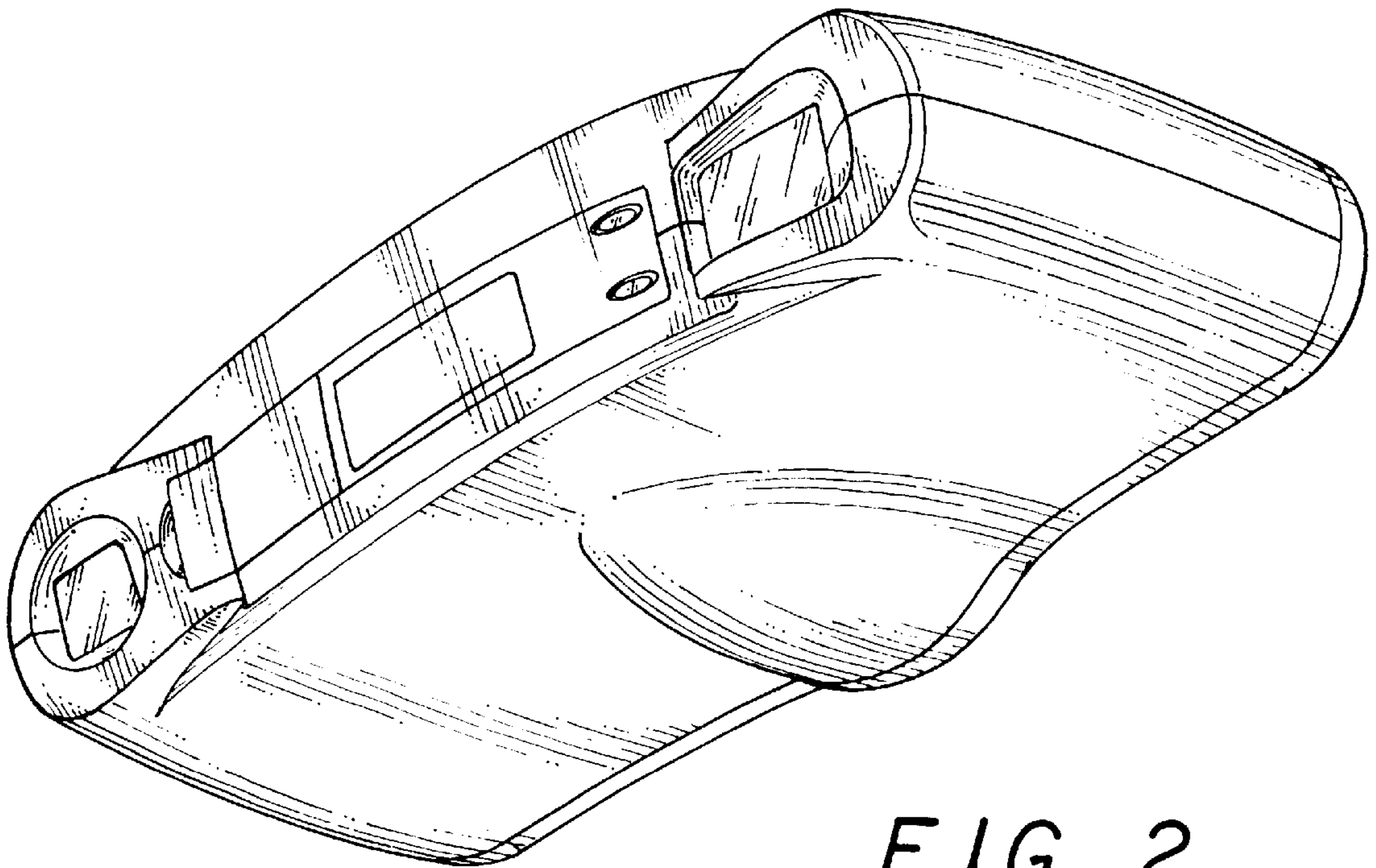


FIG. 2

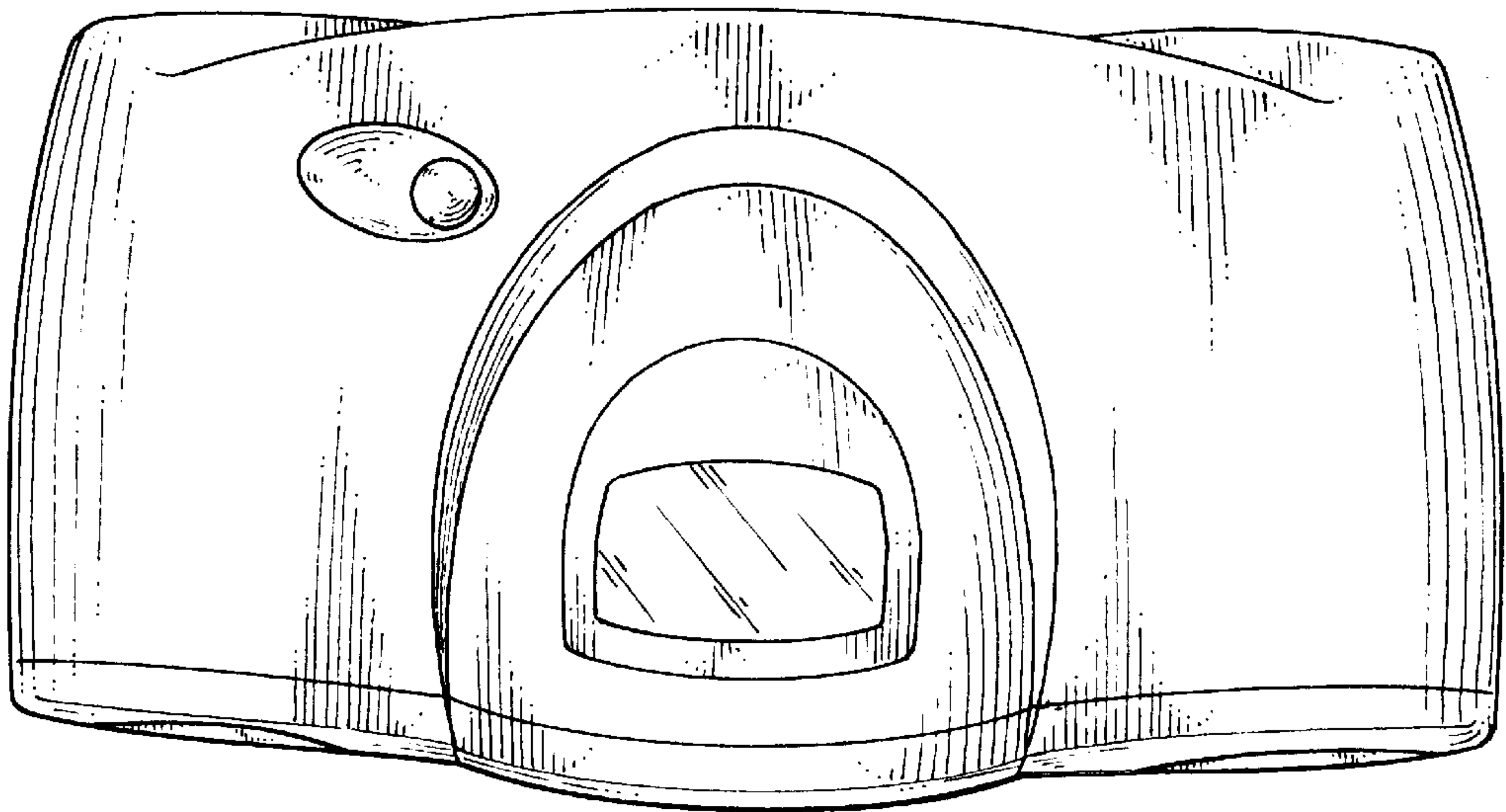


FIG. 3

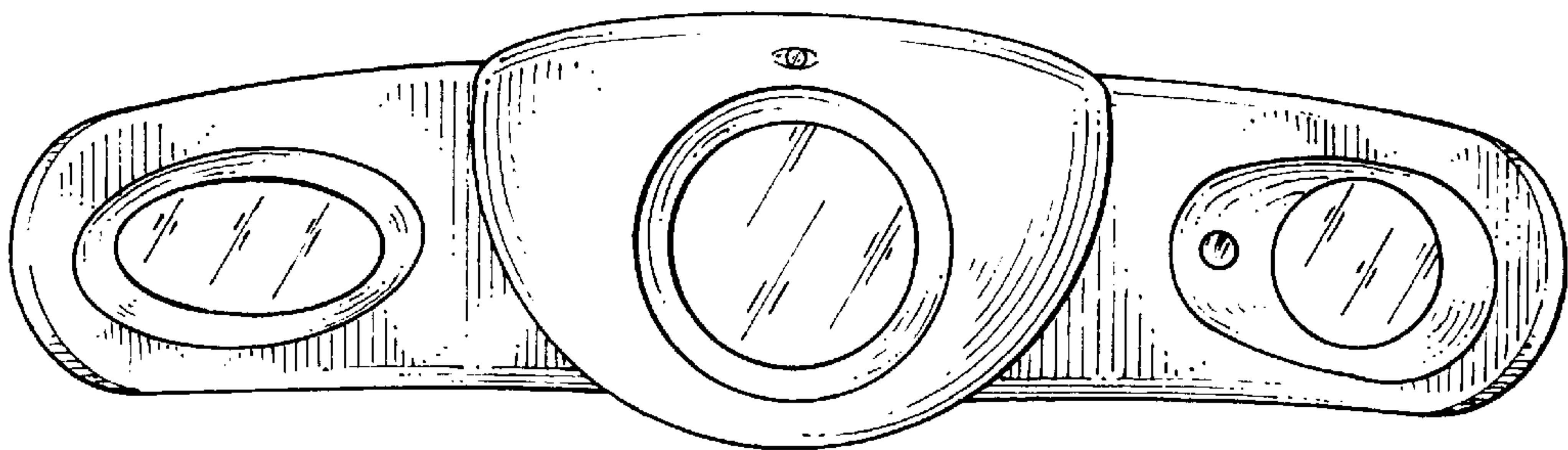


FIG. 4

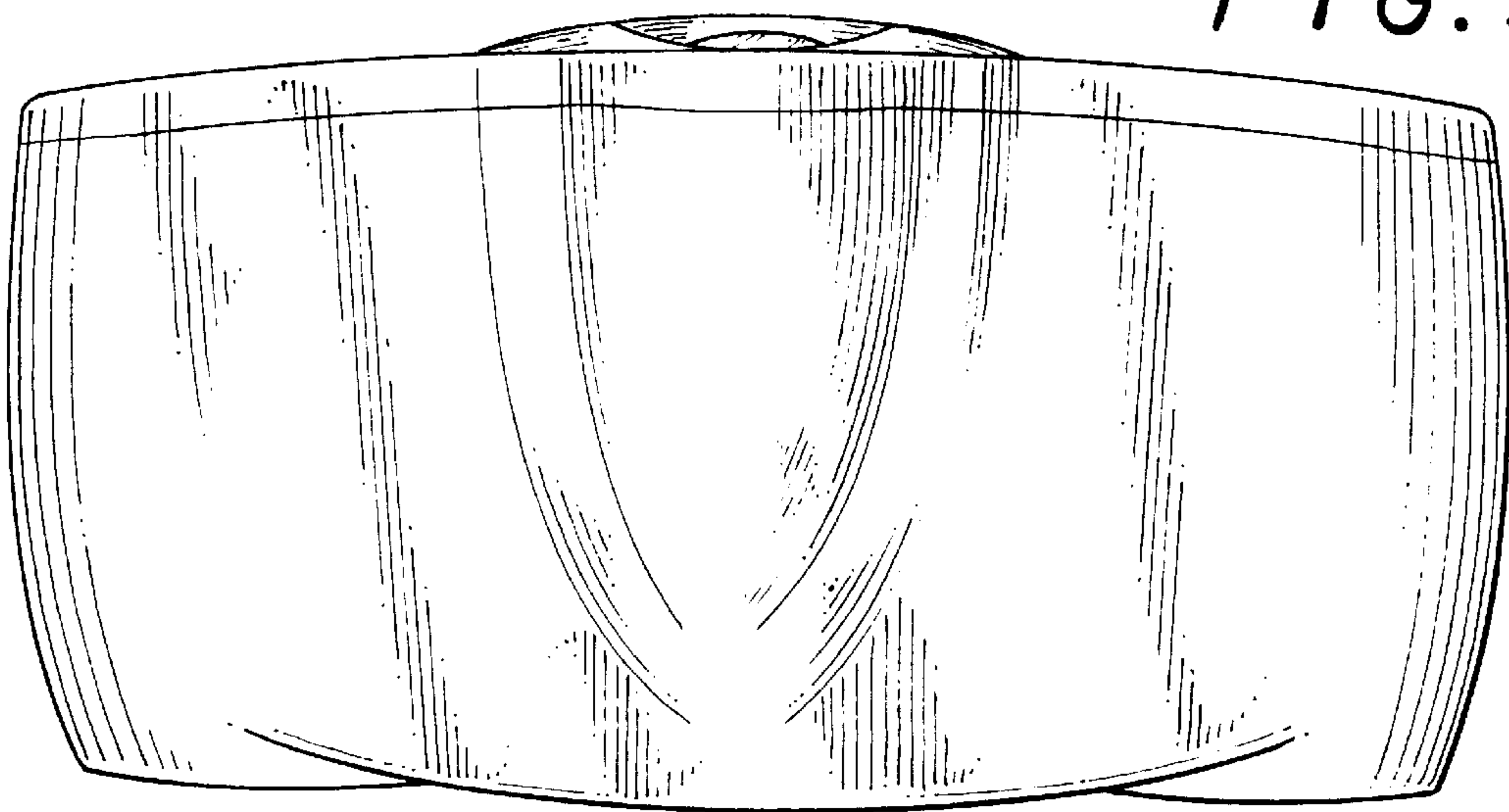


FIG. 5

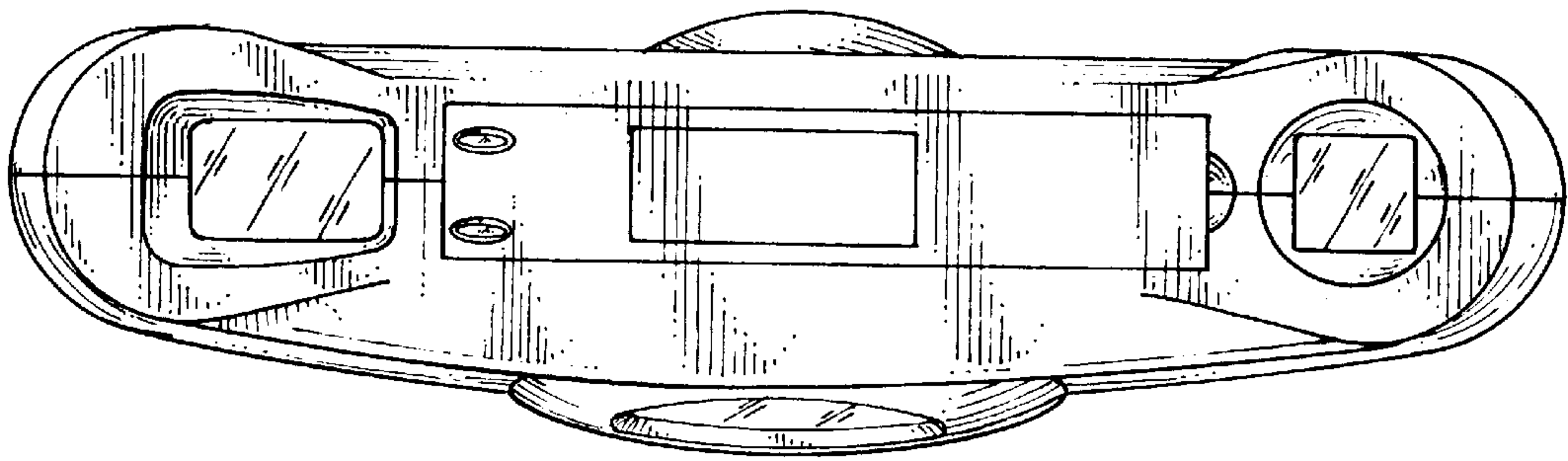


FIG. 6

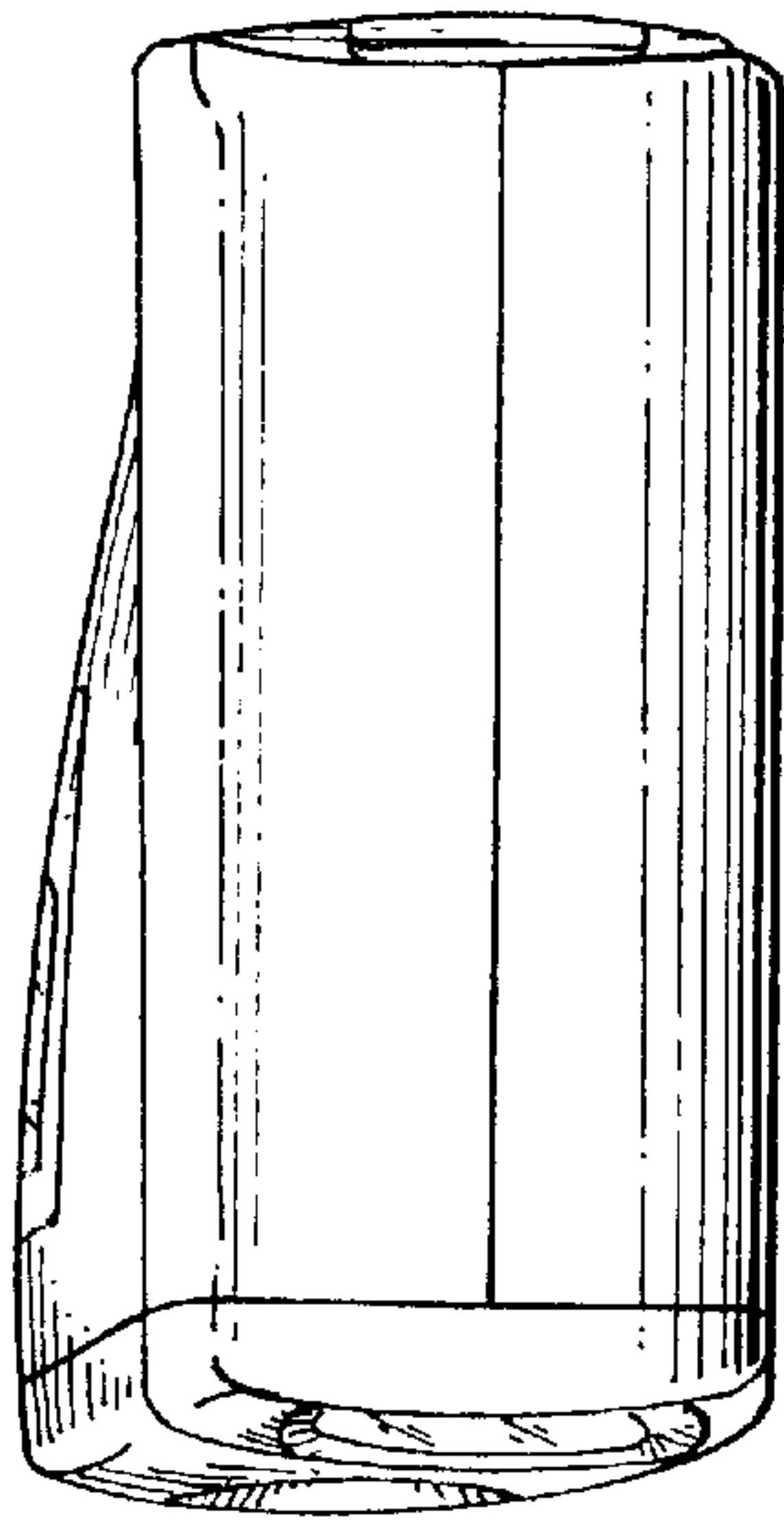


FIG. 7

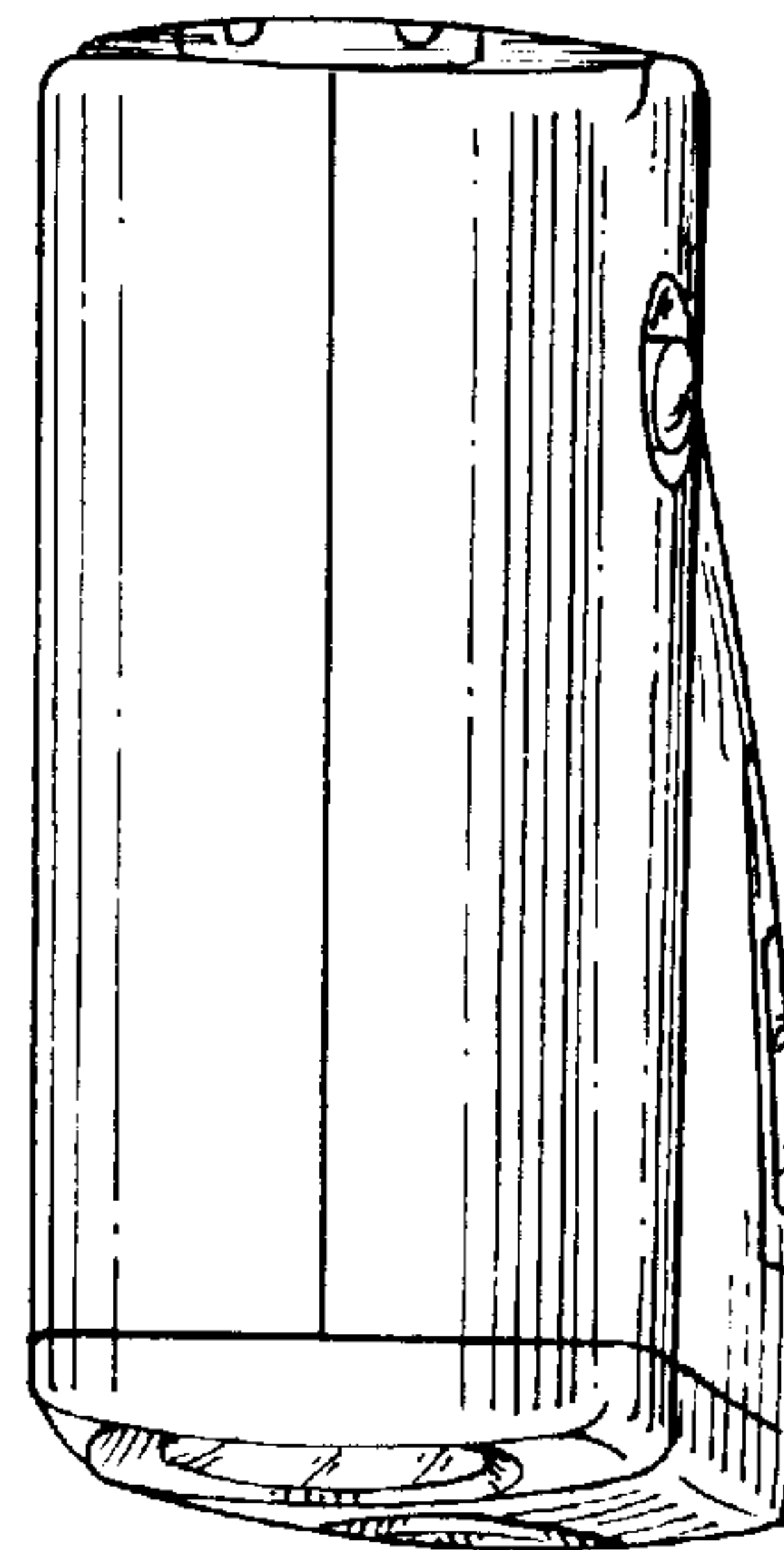


FIG. 8

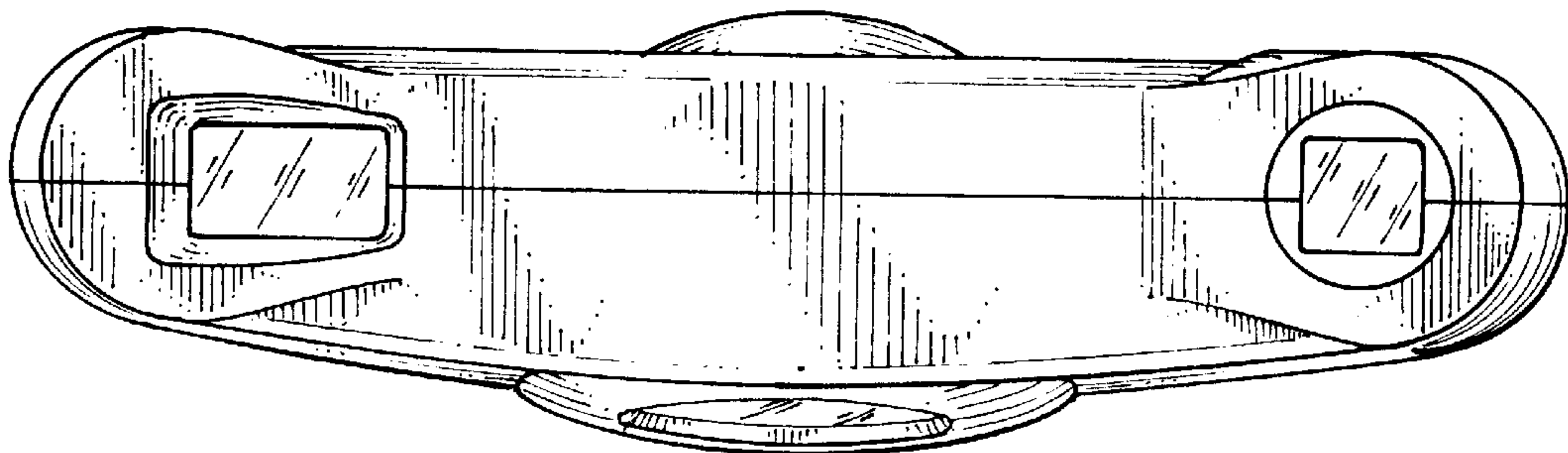


FIG. 9

UNITED STATES PATENT AND TRADEMARK OFFICE
CERTIFICATE OF CORRECTION

PATENT NO. : Des. 402,676
DATED : December 15, 1998
INVENTOR(S) : Mascarenas, Sr. et al.

Page 1 of 1

It is certified that error appears in the above-identified patent and that said Letters Patent is hereby corrected as shown below:

Title page,
DESCRIPTION,
Line 10, delete "aleft", insert -- a left --.

Signed and Sealed this

Twenty-first Day of October, 2003

A handwritten signature in black ink, appearing to read "James E. Rogan", written over a horizontal line.

JAMES E. ROGAN
Director of the United States Patent and Trademark Office