



US00D402673S

United States Patent [19]
Welsh

[11] **Patent Number: Des. 402,673**

[45] **Date of Patent: **Dec. 15, 1998**

[54] **TABLE FOR A SCROLL SAW**

[75] Inventor: **Robert P. Welsh**, Hunt Valley, Md.

[73] Assignee: **Black & Decker Inc.**, Newark, Del.

[**] Term: **14 Years**

[21] Appl. No.: **82,394**

[22] Filed: **Jan. 21, 1998**

[51] **LOC (6) Cl.** **15-09**

[52] **U.S. Cl.** **D15/133**

[58] **Field of Search** D15/133; 83/662,
83/782-786

[56] **References Cited**

U.S. PATENT DOCUMENTS

D. 350,968 9/1994 Chang D15/133
5,176,059 1/1993 Anderson 83/466 X

Primary Examiner—Antoine Duval Davis
Attorney, Agent, or Firm—Adan Ayala

[57] **CLAIM**

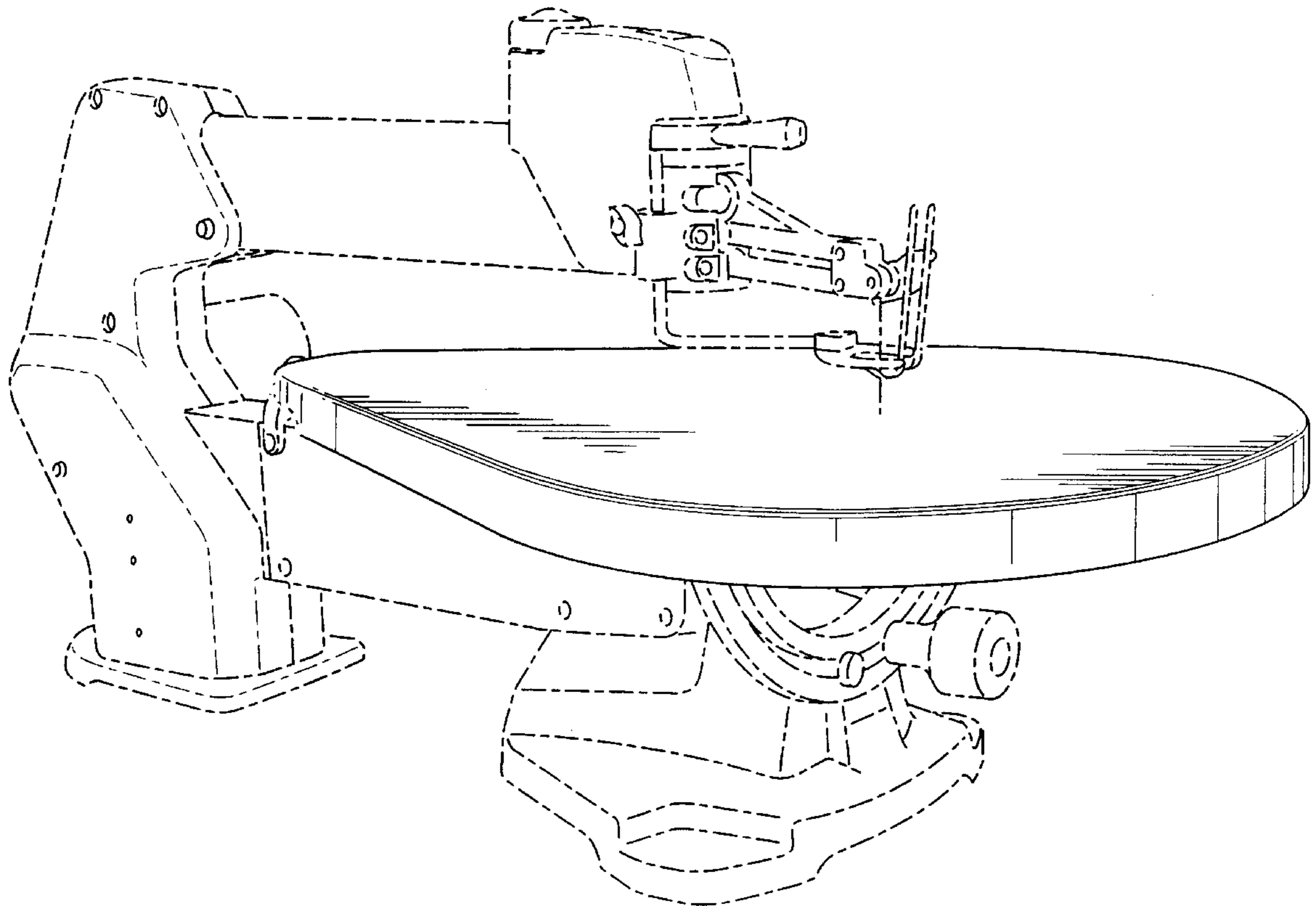
The ornamental design for table for a scroll saw, as shown and described.

DESCRIPTION

FIG. 1 is a left side perspective view from the front of my new design of a table for a scroll saw;
FIG. 2 is a left side elevational view of my design;
FIG. 3 is a right side elevational view of my design;
FIG. 4 is a front elevational view of my design;
FIG. 5 is a rear elevational view of my design;
FIG. 6 is a top plan view of my design; and,
FIG. 7 is a right side perspective view from the rear of my new design.

In the attached drawings, any broken line illustration is not part of the design sought to be patented.

1 Claim, 6 Drawing Sheets



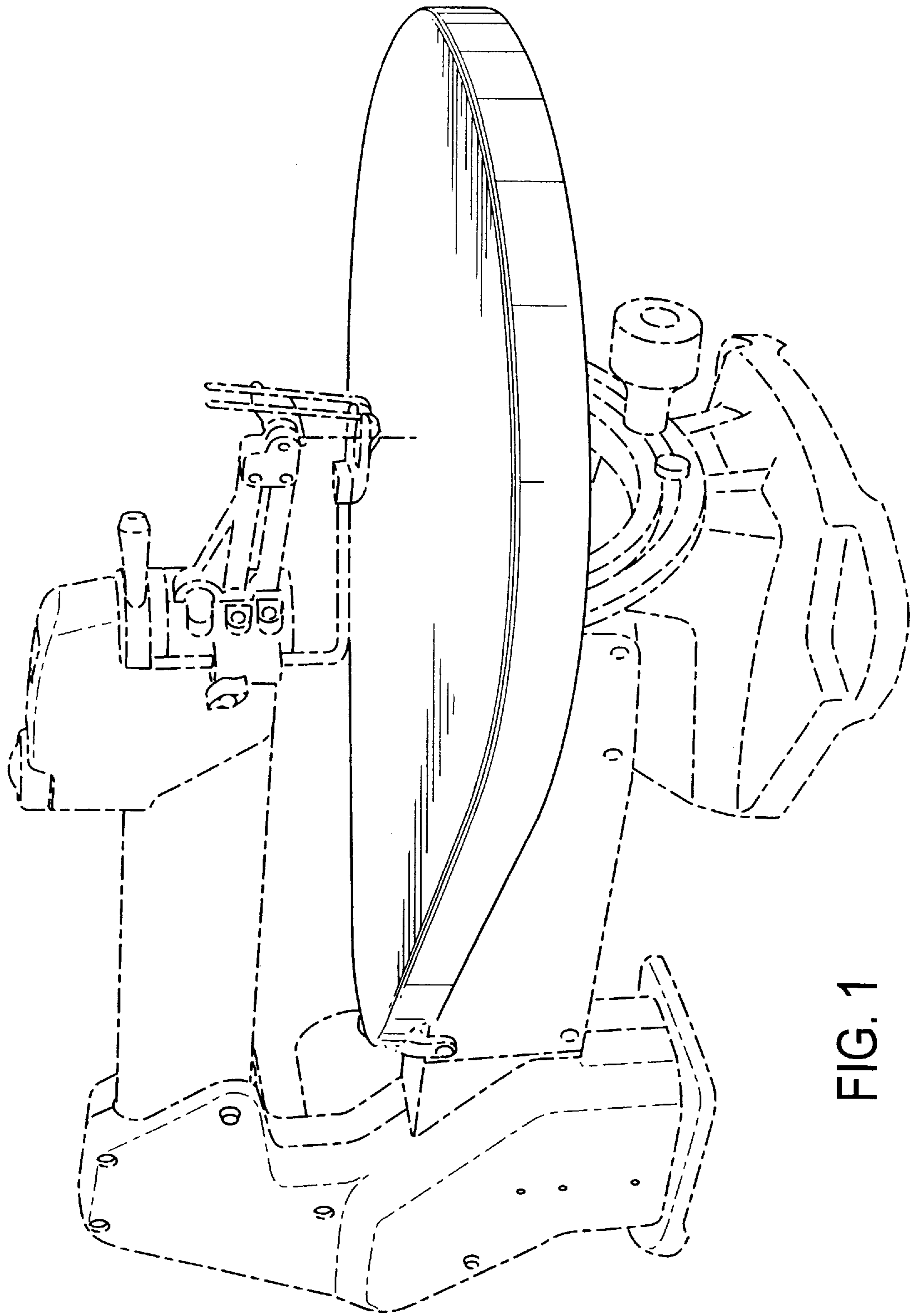


FIG. 1

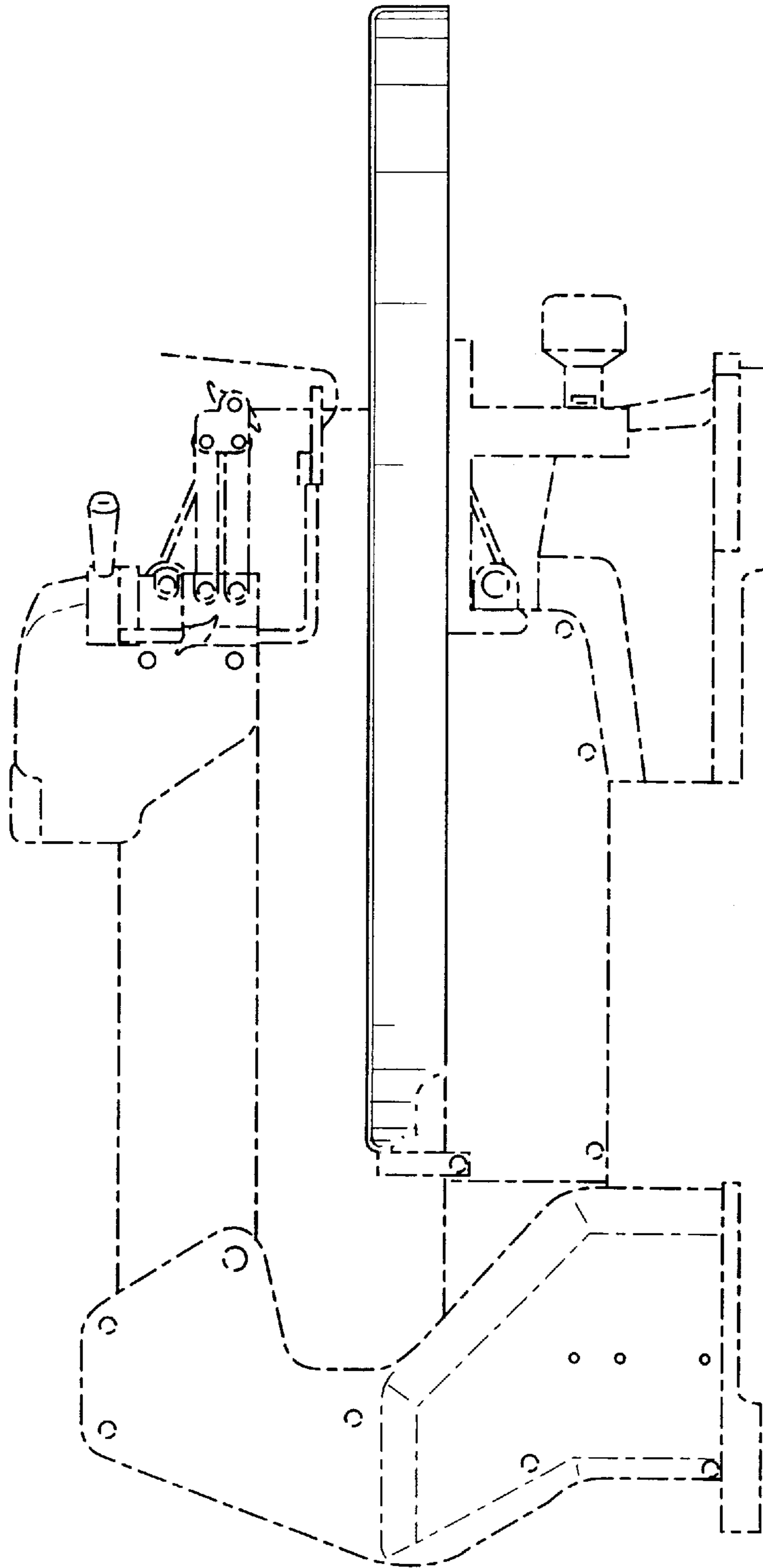


FIG. 2

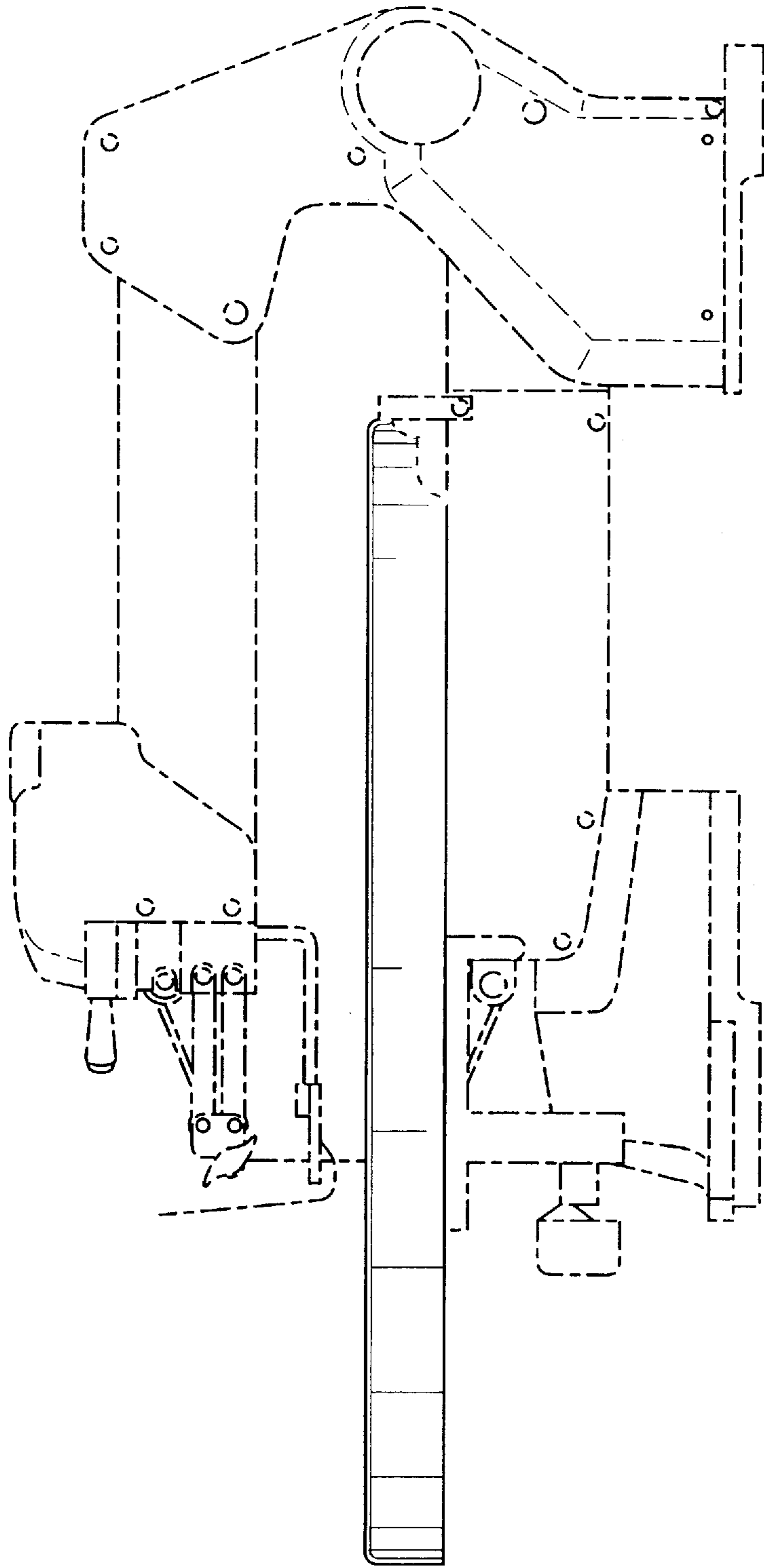


FIG. 3

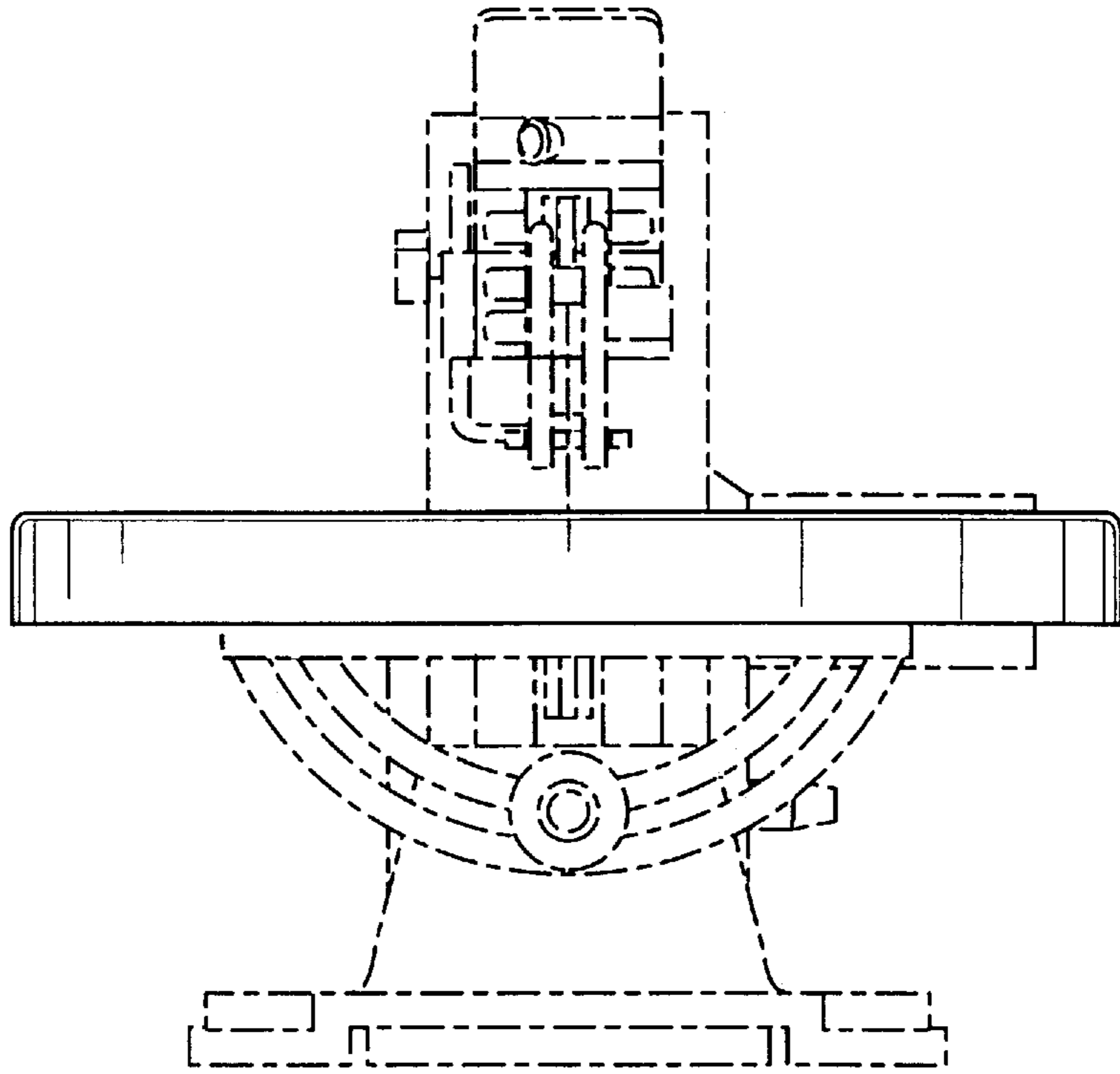


FIG. 4

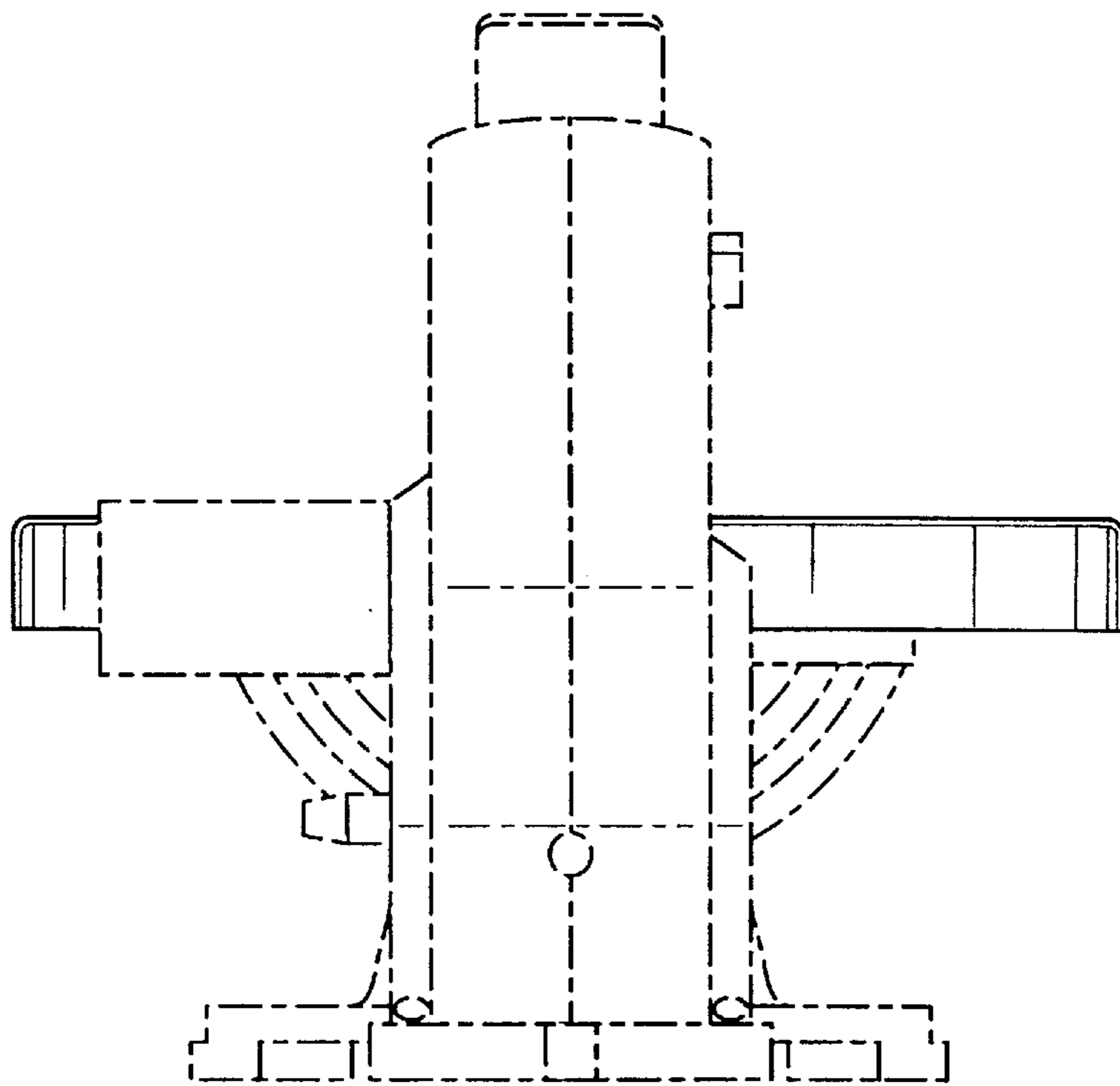


FIG. 5

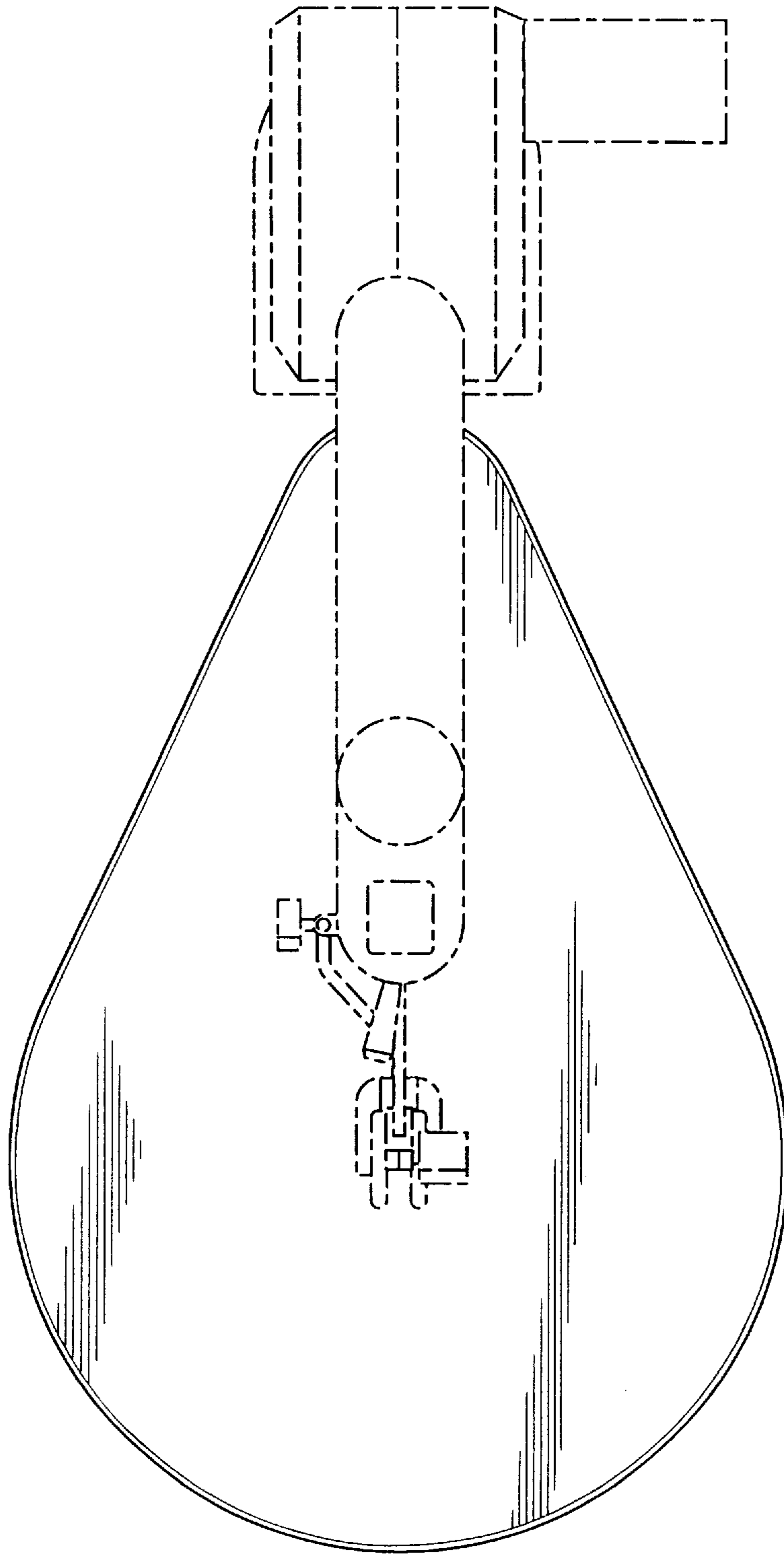


FIG. 6

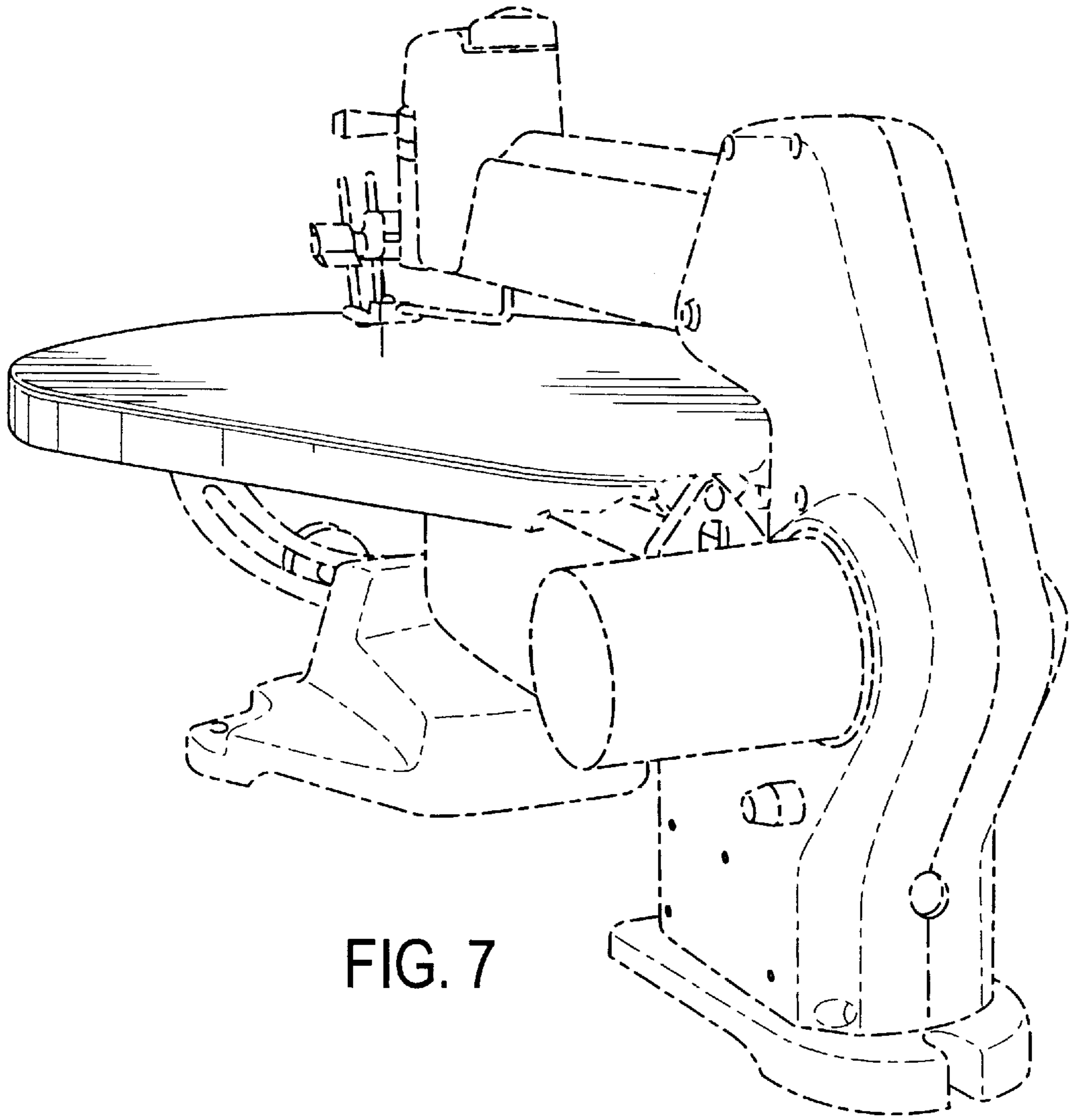


FIG. 7