



US00D402671S

United States Patent [19] Welsh

[11] **Patent Number: Des. 402,671**

[45] **Date of Patent: **Dec. 15, 1998**

[54] **SCROLL SAW**

Attorney, Agent, or Firm—Bruce S. Shapiro; Adan Ayala

[75] Inventor: **Robert P. Welsh**, Hunt Valley, Md.

[57] **CLAIM**

[73] Assignee: **Black & Decker Inc.**, Newark, Del.

The ornamental design for a scroll saw, as shown and described.

[**] Term: **14 Years**

DESCRIPTION

[21] Appl. No.: **62,012**

FIG. 1 is a front elevational view of a first embodiment of a scroll saw showing my new design;

[22] Filed: **Nov. 5, 1996**

FIG. 2 is a right side elevational view of the first embodiment;

Related U.S. Application Data

[63] Continuation of Ser. No. 51,852, Mar. 1, 1996, abandoned.

FIG. 3 is a right side perspective from the rear of the first embodiment;

[51] **LOC (6) Cl.** **15-09**

FIG. 4 is a rear elevational view of the first embodiment;

[52] **U.S. Cl.** **D15/133**

FIG. 5 is a top plan view of the first embodiment;

[58] **Field of Search** D15/133; 83/783-786

FIG. 6 is a left side perspective view from the front of the first embodiment;

[56] **References Cited**

U.S. PATENT DOCUMENTS

- D. 174,116 3/1955 Dremel .
- D. 337,123 7/1993 Svetlik et al. .
- D. 350,968 9/1994 Chang D15/133
- D. 366,881 2/1996 Eccardt et al. .
- 2,692,622 10/1954 Heese .
- 5,176,059 1/1993 Anderson 83/783 XZ
- 5,363,733 11/1994 Baird et al. 83/786
- 5,410,933 5/1995 Miyamoto et al. .
- 5,540,130 7/1996 Huang et al. 83/783 XZ

FIG. 7 is a left side elevational view of the first embodiment;

FIG. 8 is a top plan view of a second embodiment of a scroll saw showing my new design with an air hose attached;

FIG. 9 is a front elevational view of the second embodiment;

FIG. 10 is a left side elevational view of the second embodiment;

FIG. 11 is a left side perspective view from the front of the second embodiment; and,

FIG. 12 is a front elevational view of a third embodiment of a scroll saw showing my new design with the blade removed.

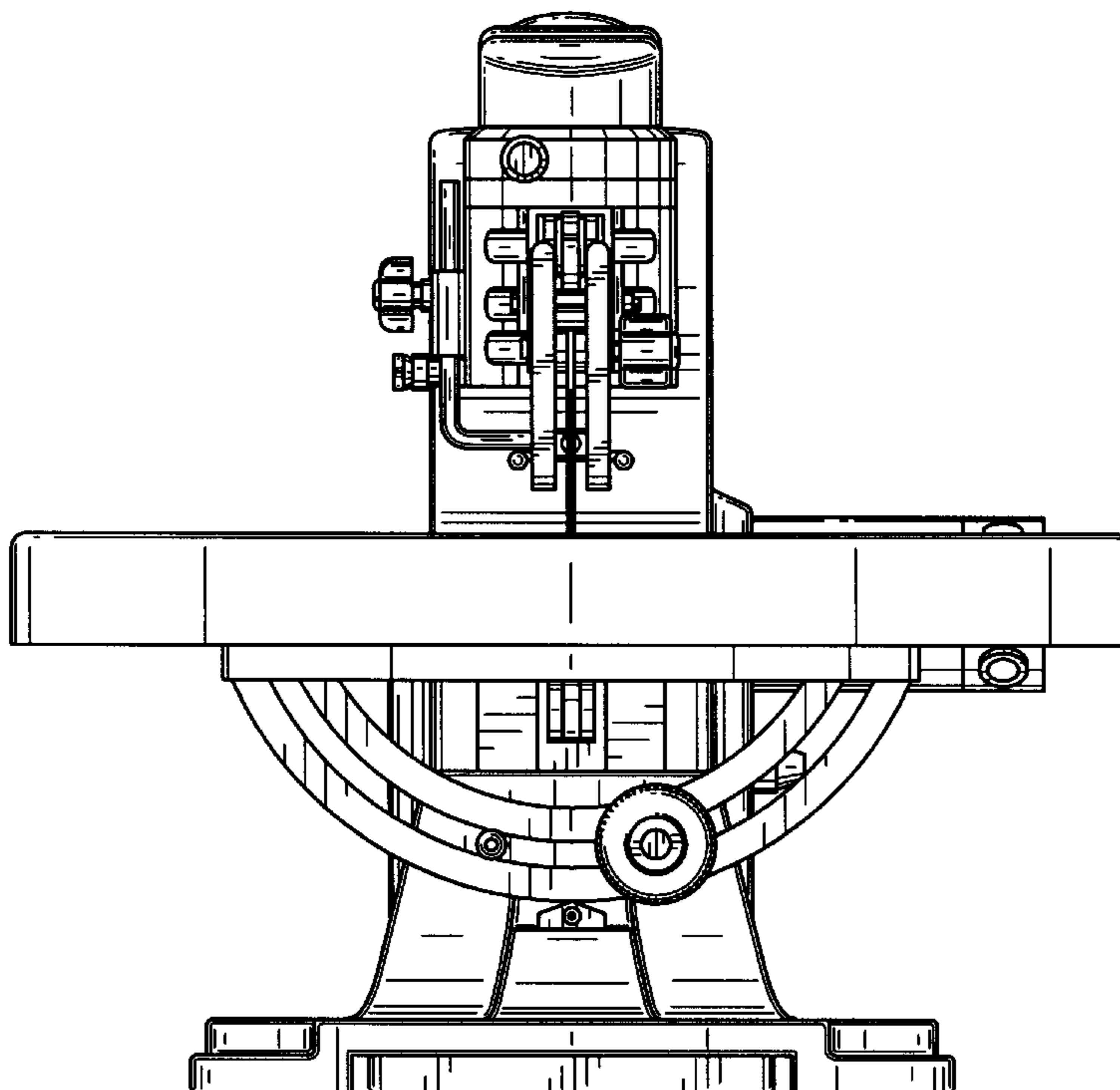
OTHER PUBLICATIONS

Excalibur Manual—EX19VS and EX30VS Scroll Saws, Jun. 2, 1993, pp. 1 and 2.

All non-shown views of the second and third embodiments are the same as those views shown in figure drawings 1-7.

Primary Examiner—Antoine Duval Davis

1 Claim, 12 Drawing Sheets



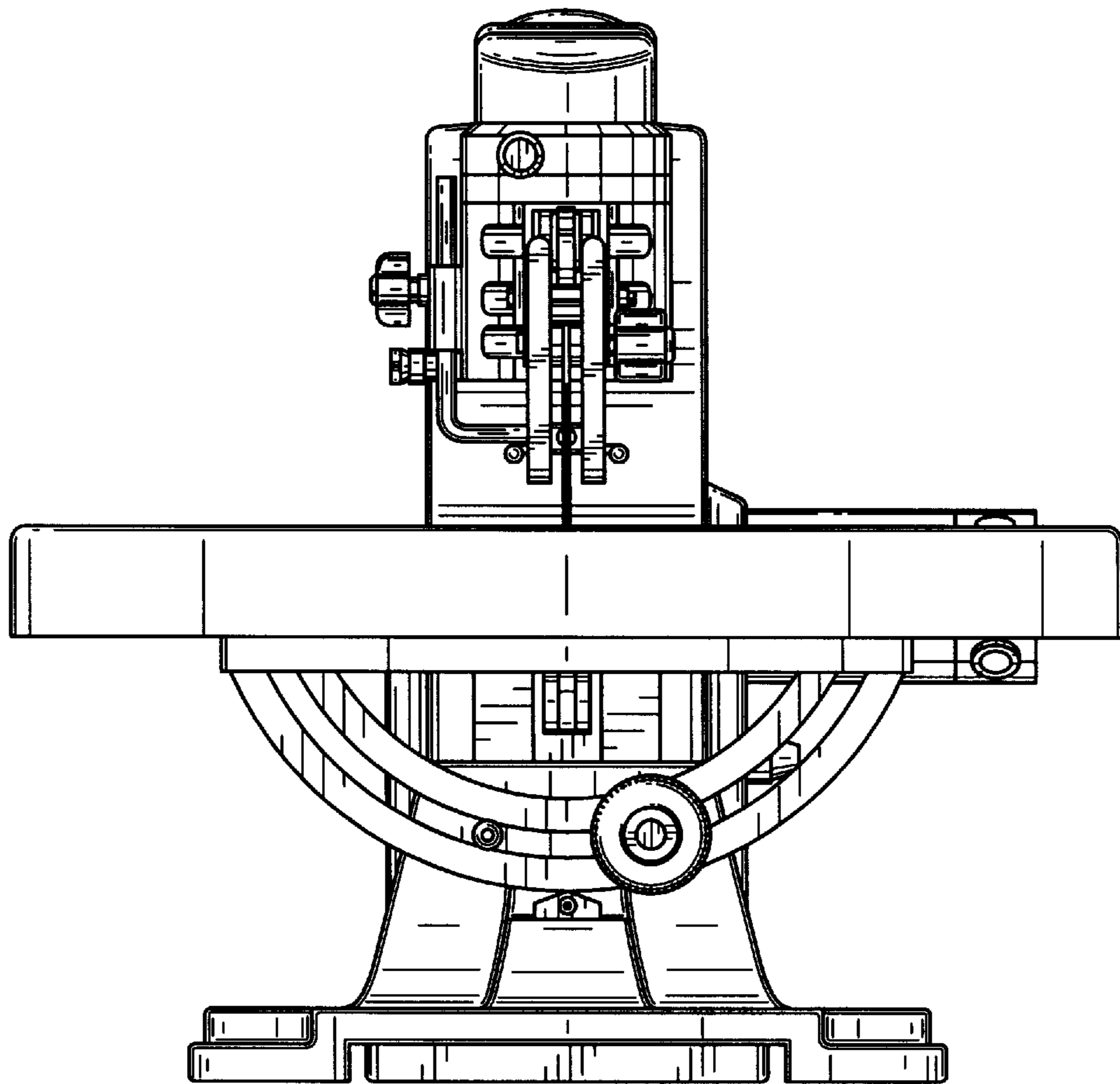


FIG. 1

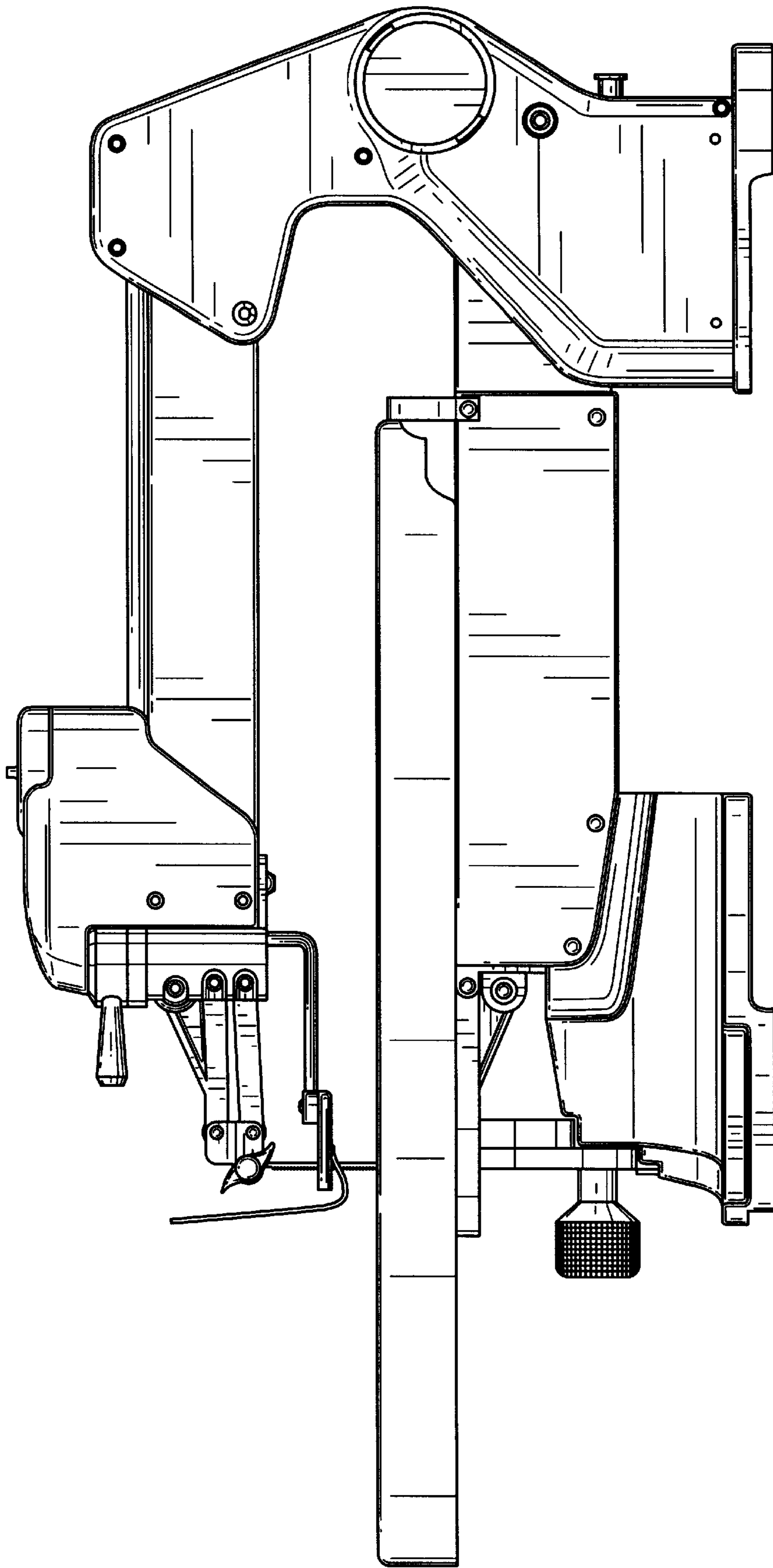


FIG. 2

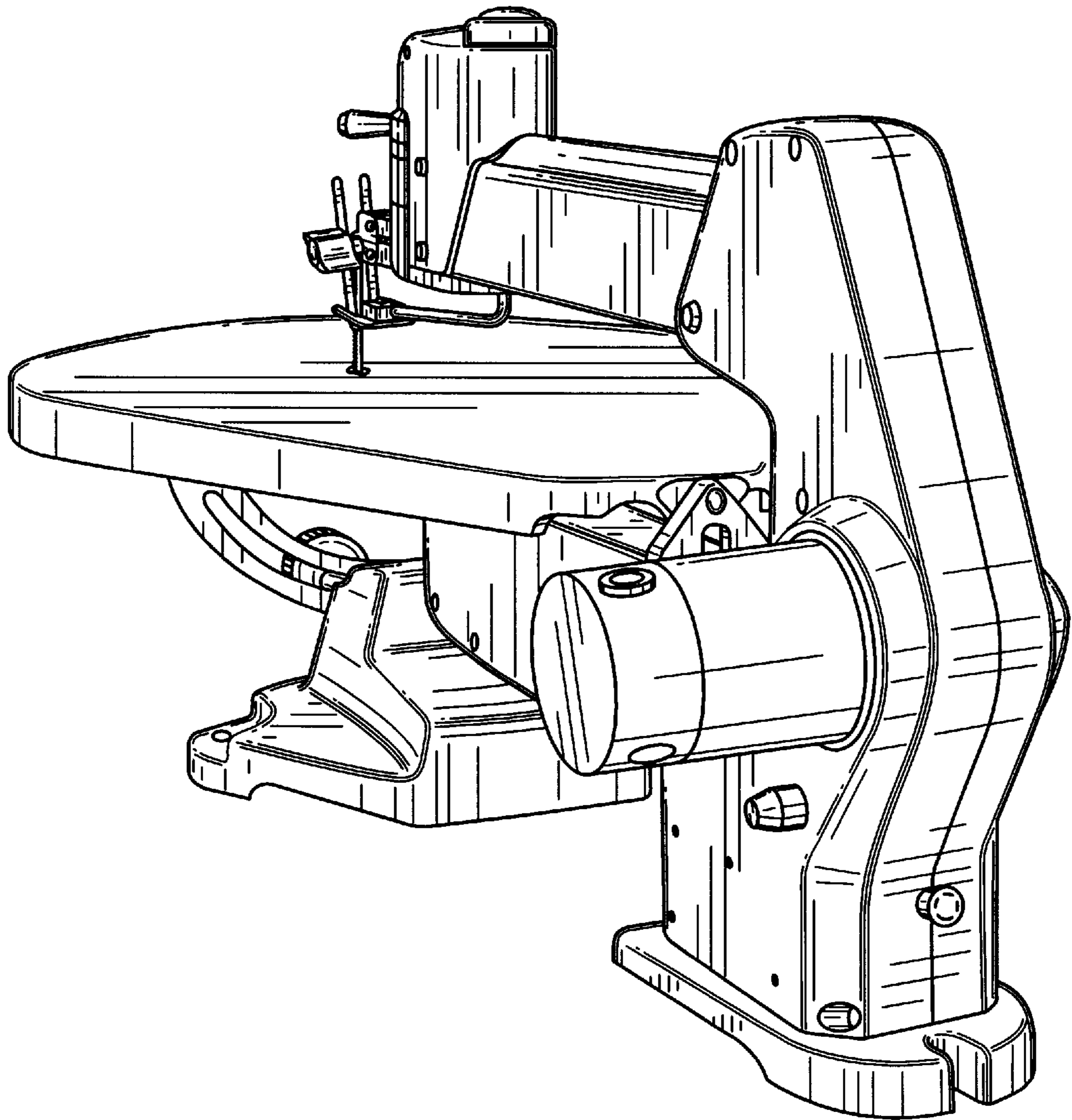


FIG. 3

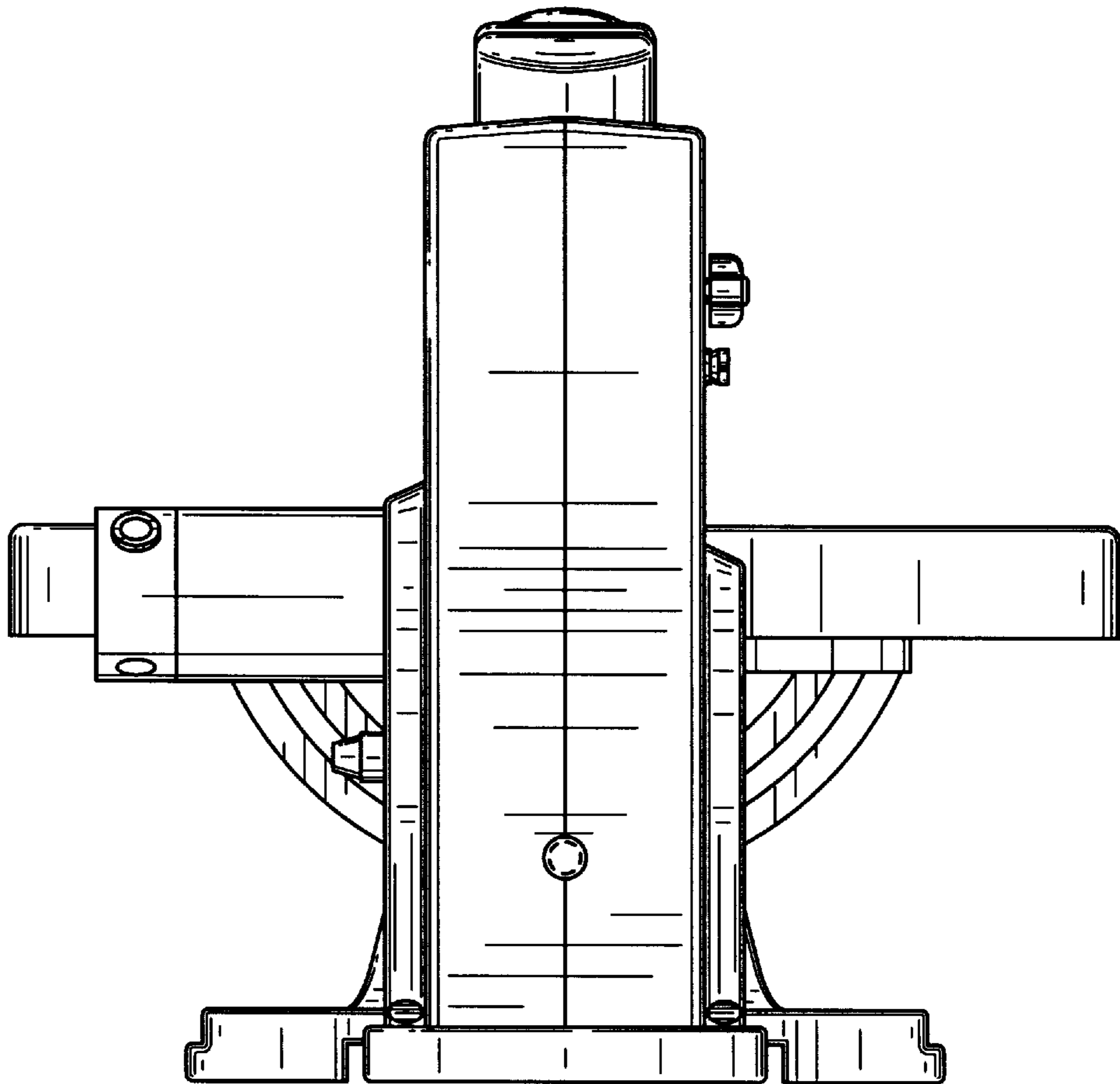


FIG. 4

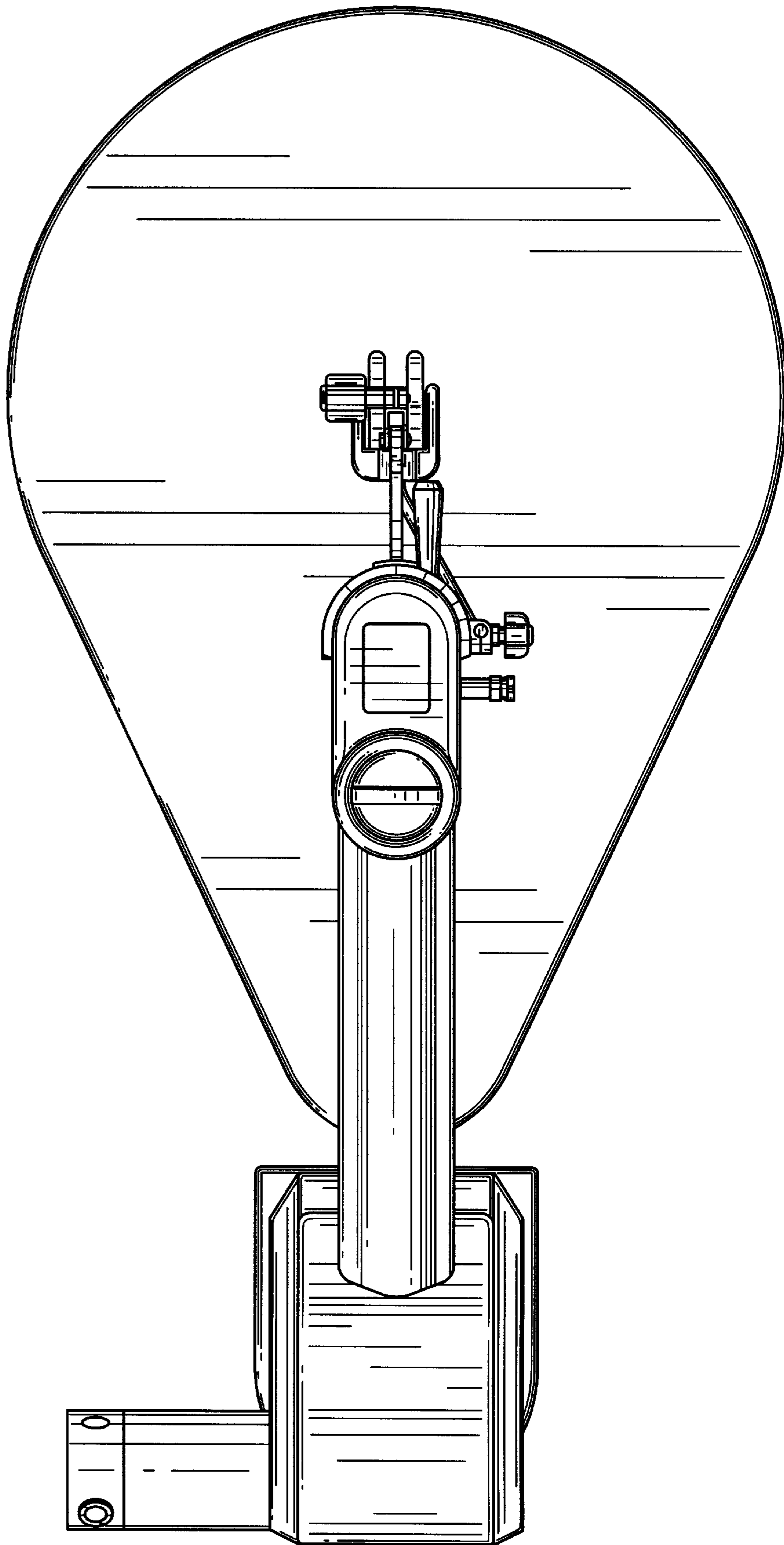


FIG. 5

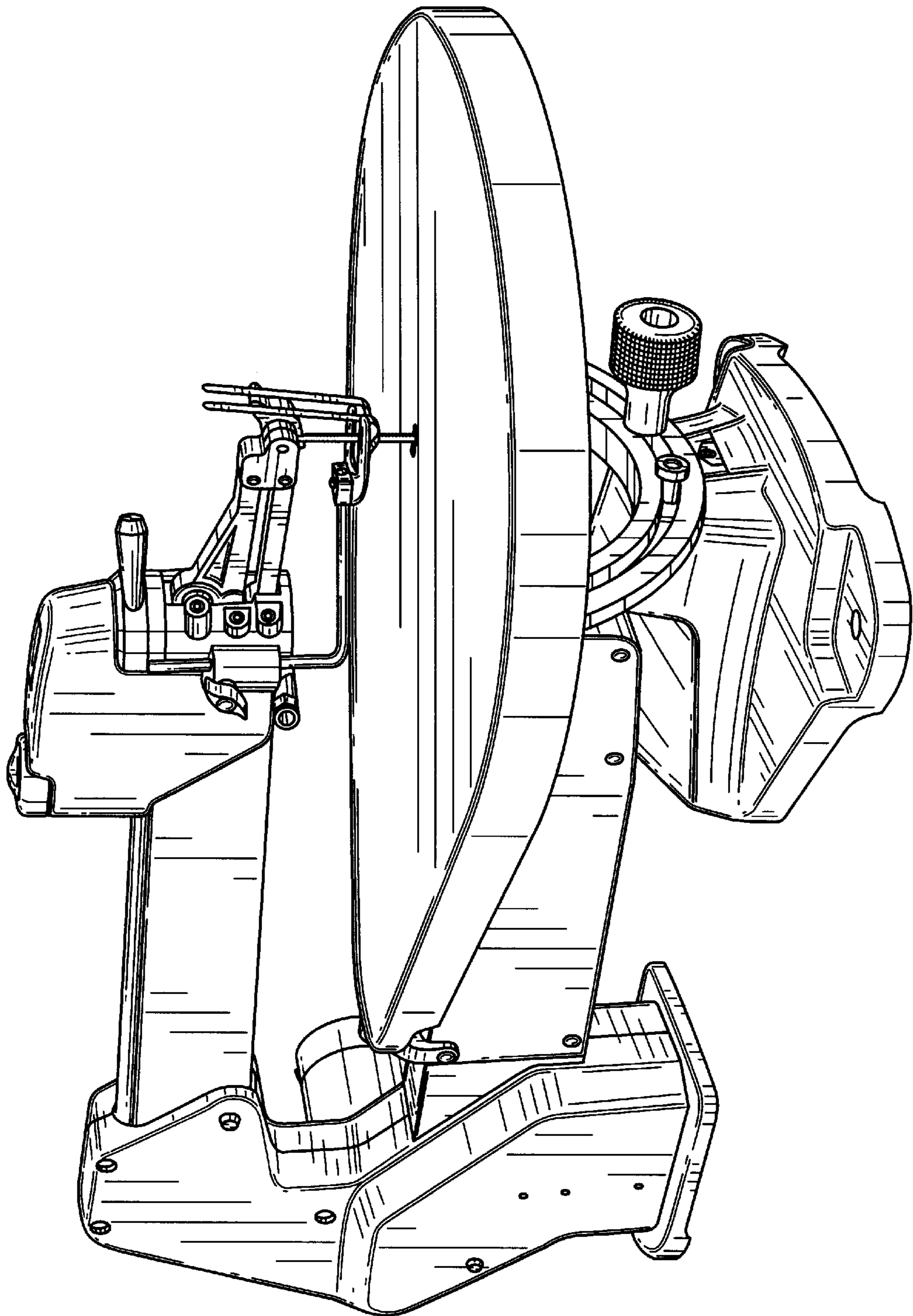


FIG. 6

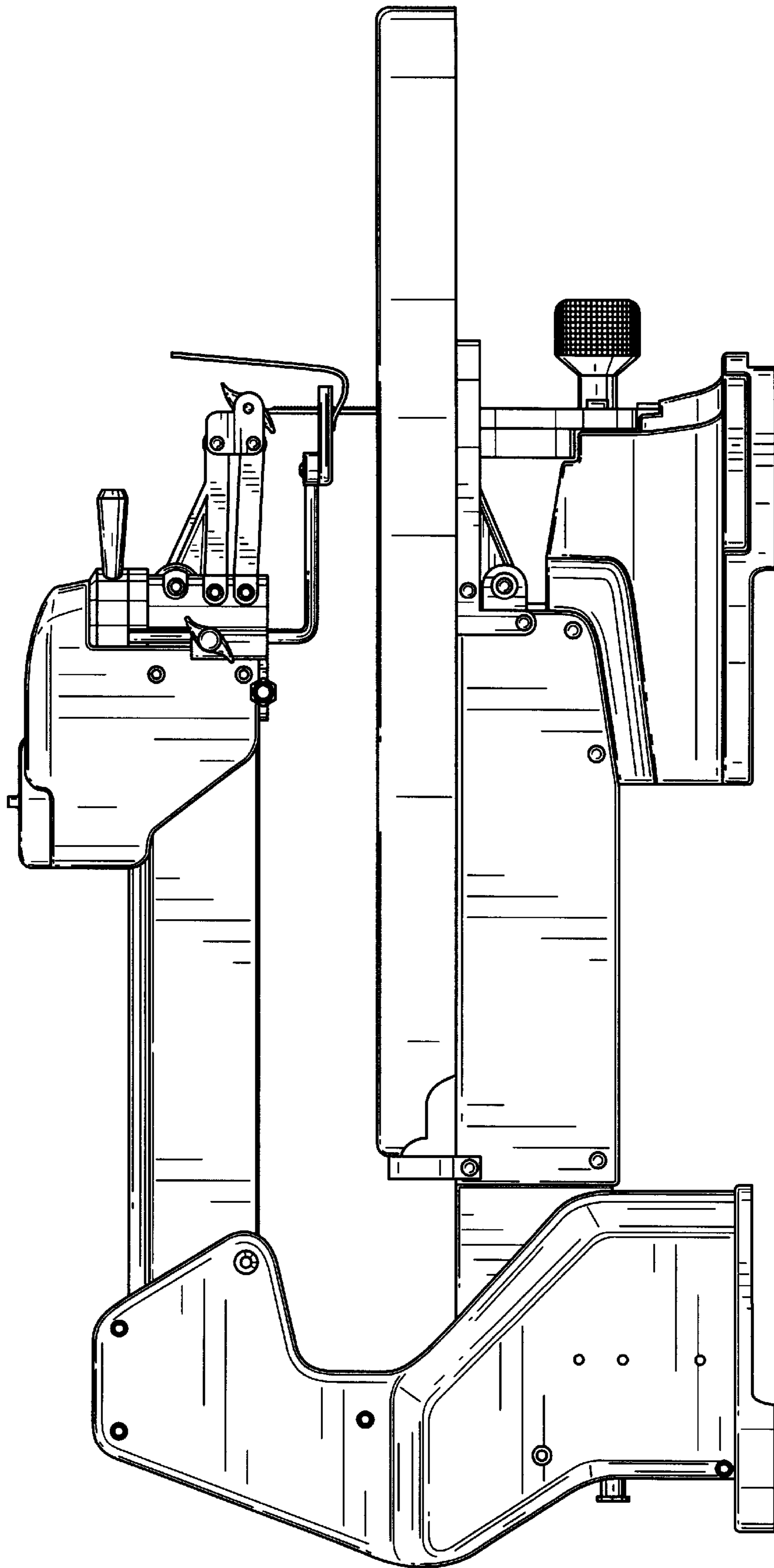


FIG. 7

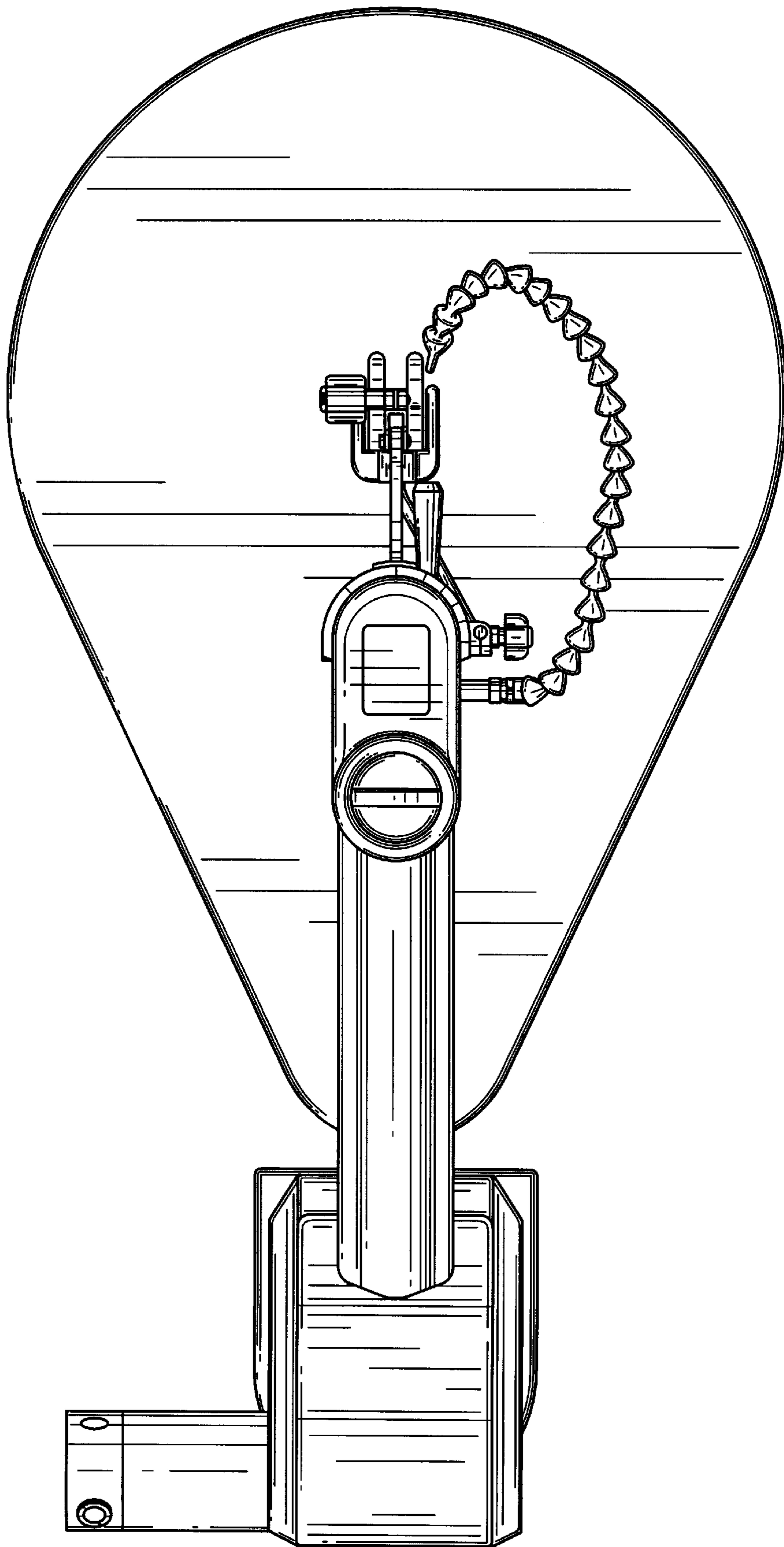


FIG. 8

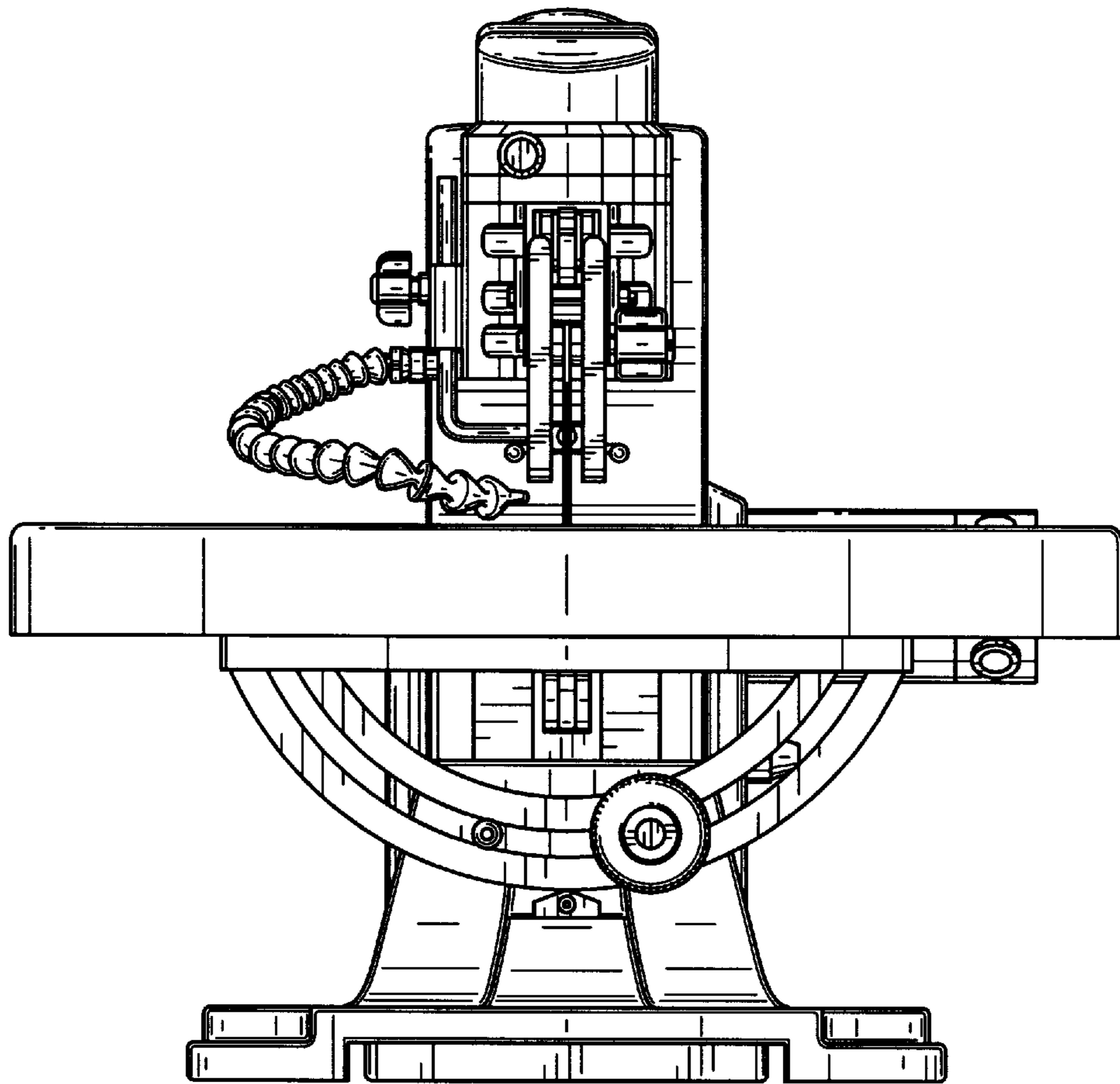


FIG. 9

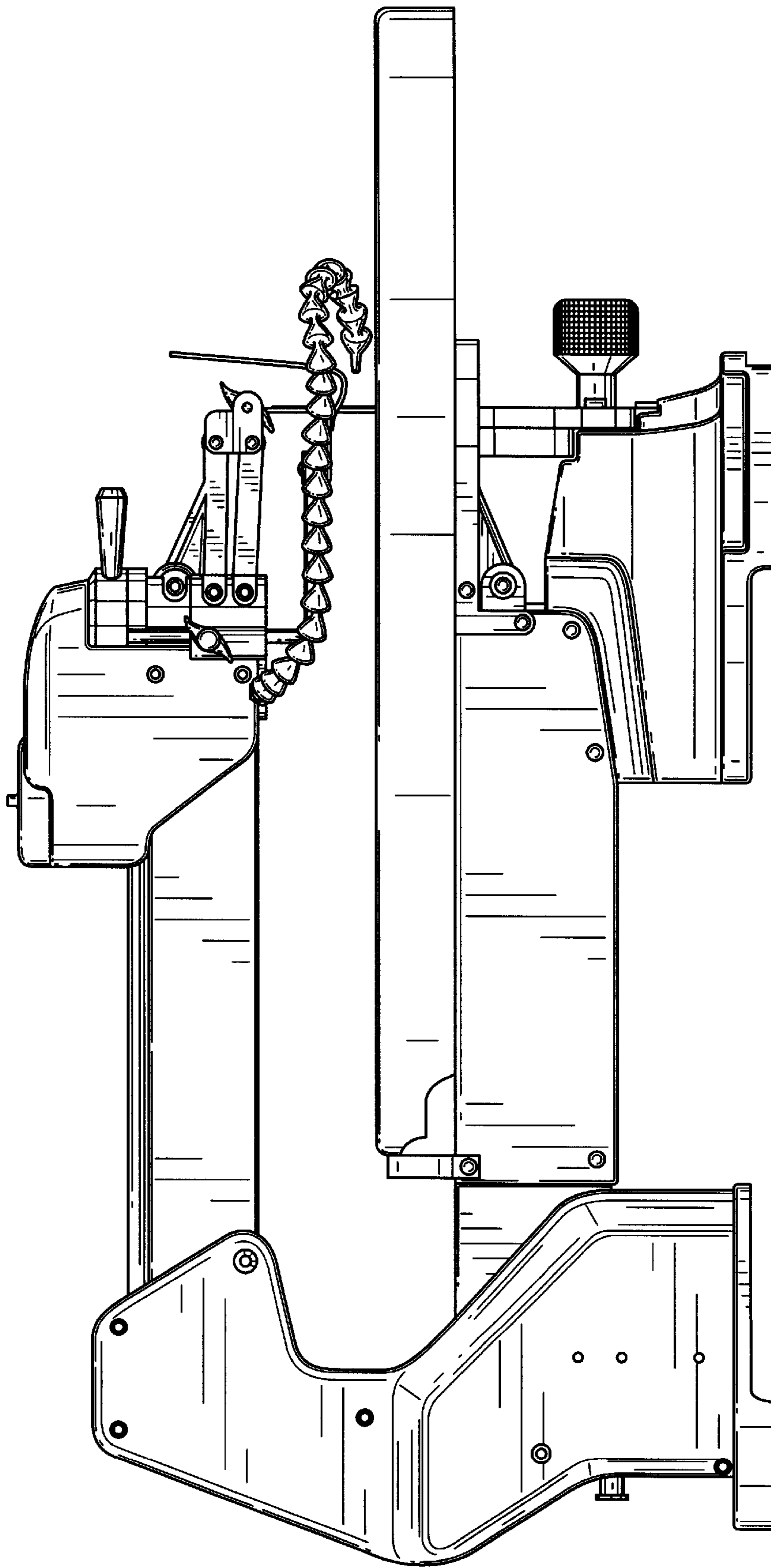


FIG. 10

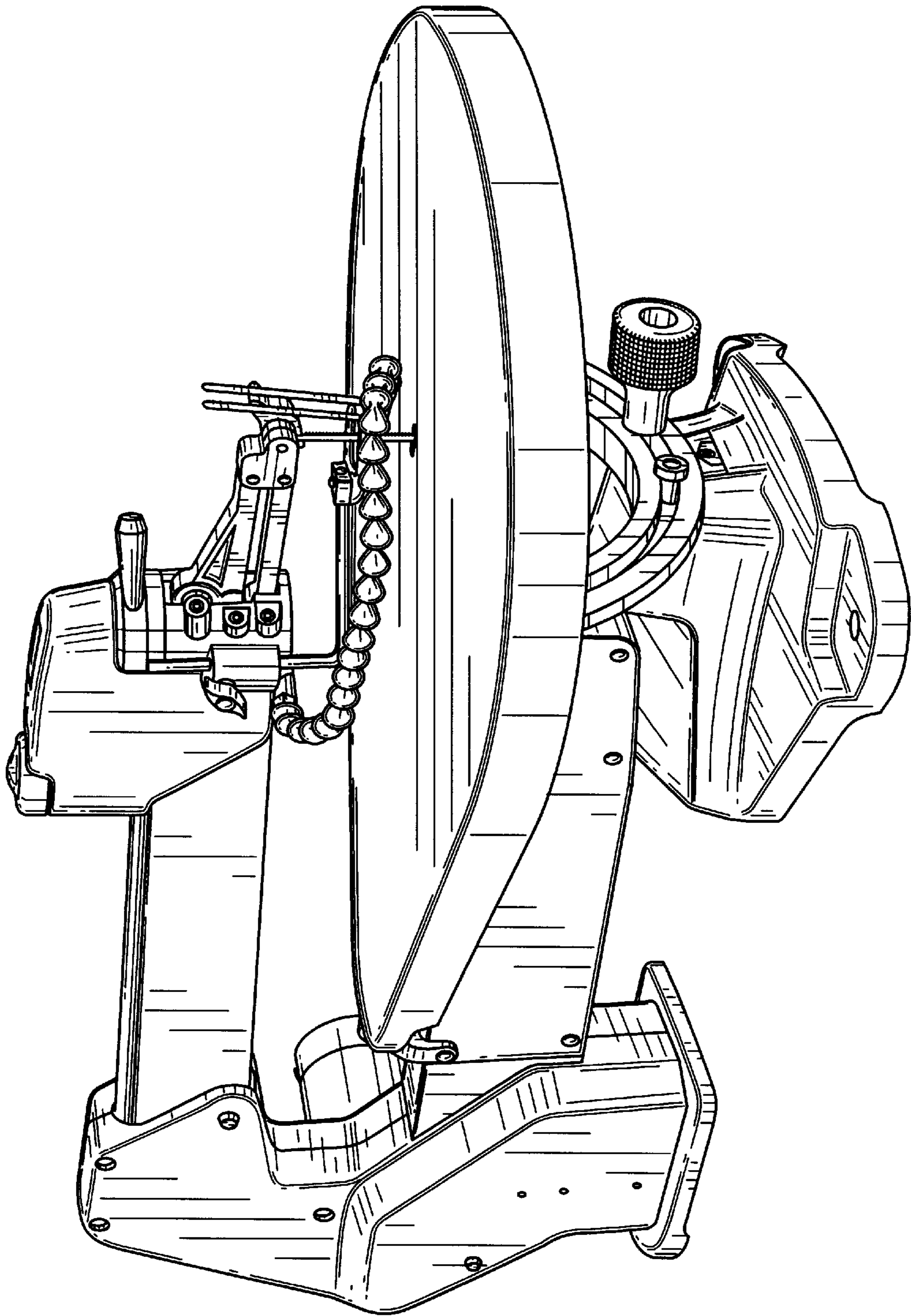


FIG. 11

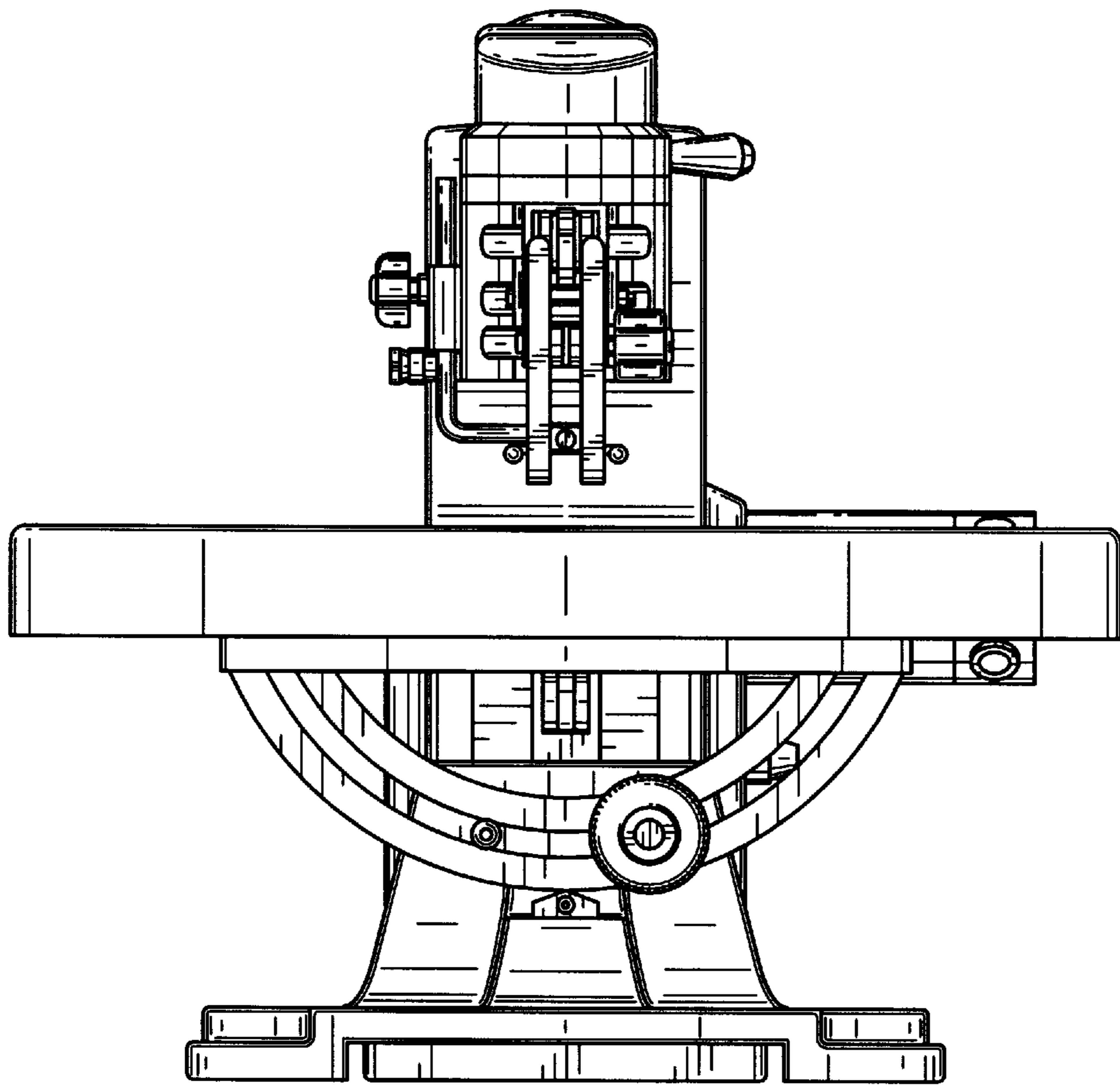


FIG. 12