



US00D402670S

United States Patent [19]
Becker

[11] **Patent Number: Des. 402,670**

[45] **Date of Patent: **Dec. 15, 1998**

[54] **MATERIAL SPREADER HOPPER**

5,501,403 3/1996 van Vooren 239/684

[76] Inventor: **Harry H. Becker**, 399 A S. Reading Rd., Ephrata, Pa. 17522

OTHER PUBLICATIONS

Rubber Round-Up, Mensch Mfg., Hasting, MI 49058, undated.

[**] Term: **14 Years**

Skid Feeder—40*, Harvest Tec, Hudson, WI 54016, undated.

[21] Appl. No.: **80,811**

Sawdust Blower 1500 Series, TY-Crop Manufacturing Ltd., Chillwack, British Columbia, Canada V2P 6H4, undated.

[22] Filed: **Dec. 16, 1997**

[51] **LOC (6) Cl.** **15-03**

Primary Examiner—Sandra L. Morris

[52] **U.S. Cl.** **D15/13**

Attorney, Agent, or Firm—Dinesh Agarwal

[58] **Field of Search** D15/10, 13, 22-25, D15/28, 32; 222/609-623; 239/672, 681-689

[57] **CLAIM**

The ornamental design for a material spreader hopper, as shown and described.

[56] **References Cited**

DESCRIPTION

U.S. PATENT DOCUMENTS

D. 240,152	6/1976	Raffler et al.	D15/13
D. 338,893	8/1993	Simpson	D15/13
D. 388,440	12/1997	Bentley	D15/13
2,755,092	7/1956	Donahoe .	
3,015,416	1/1962	Peoples et al.	D15/13
3,019,025	1/1962	Young .	
3,167,319	1/1965	Kerr .	
4,261,520	4/1981	Hetrick	239/657
4,720,047	1/1988	Knight et al.	239/675
5,180,112	1/1993	Hoyle	239/685
5,493,852	2/1996	Stewart	56/16.8

FIG. 1 is a perspective view of a material spreader hopper of the present invention;

FIG. 2 is a left side view thereof, the right side view being identical thereto;

FIG. 3 is a front elevational view thereof;

FIG. 4 is a rear elevational view thereof;

FIG. 5 is a top plan view thereof; and,

FIG. 6 is a bottom plan view thereof.

1 Claim, 3 Drawing Sheets

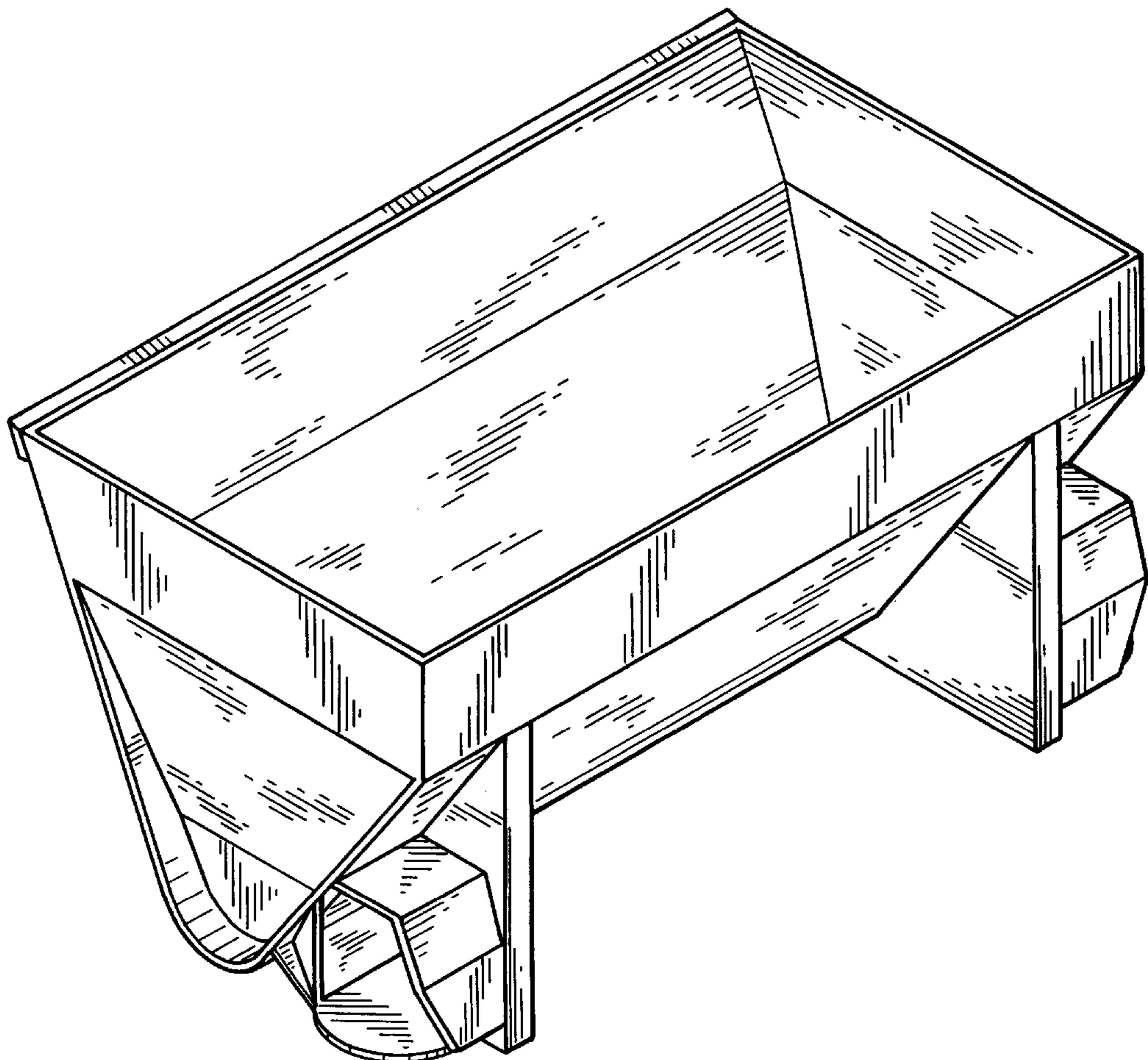


FIG. 1

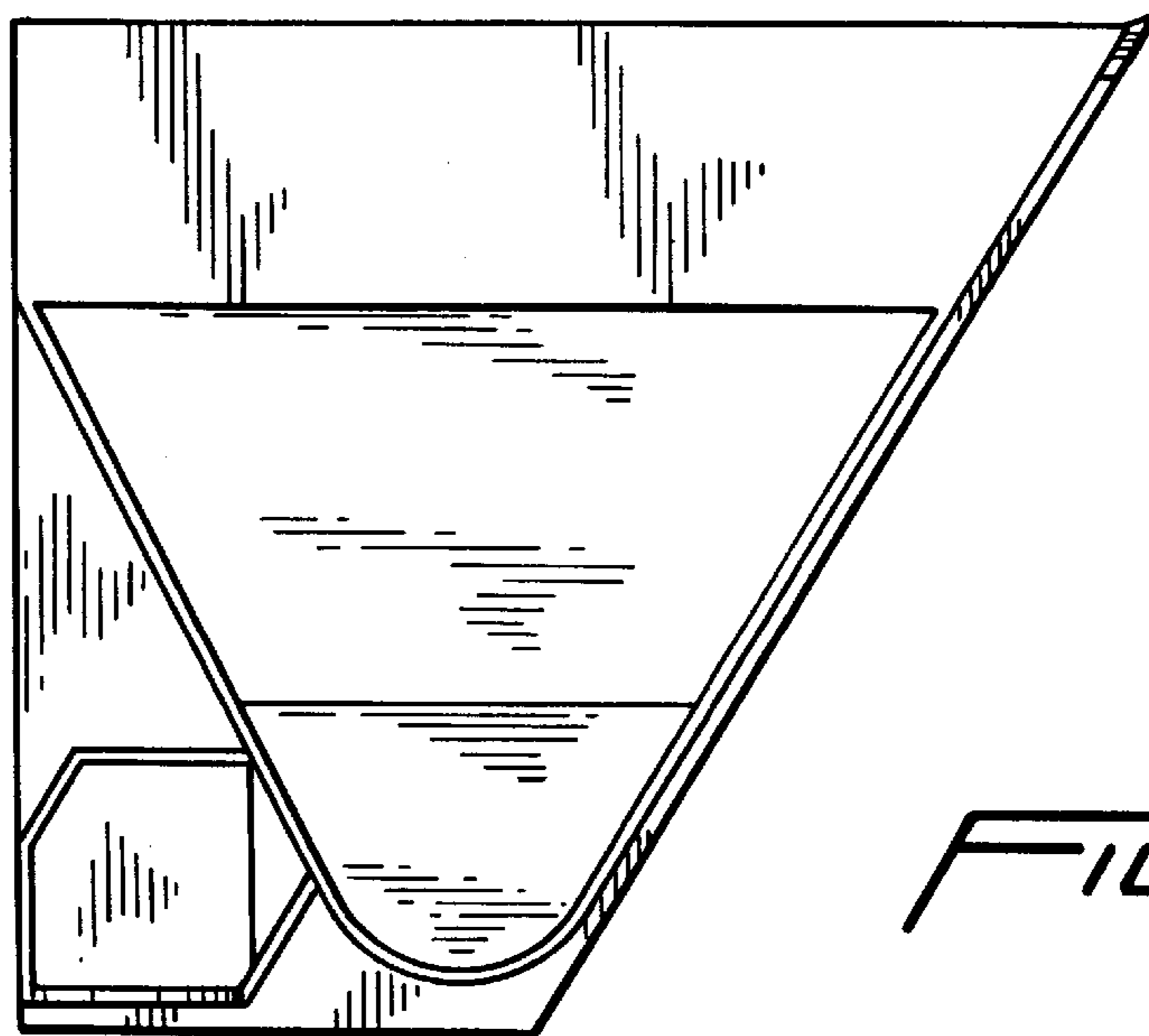
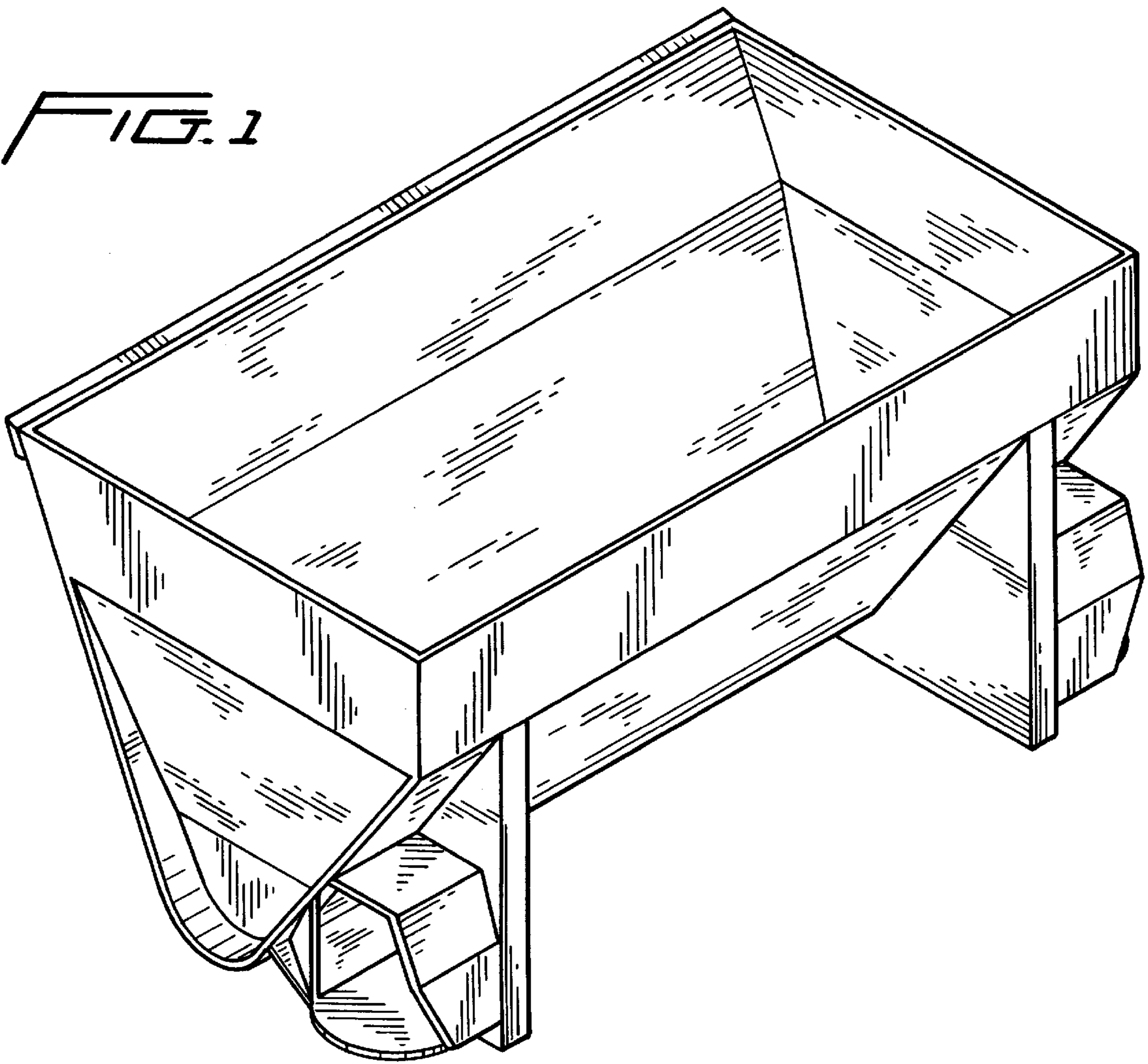


FIG. 2

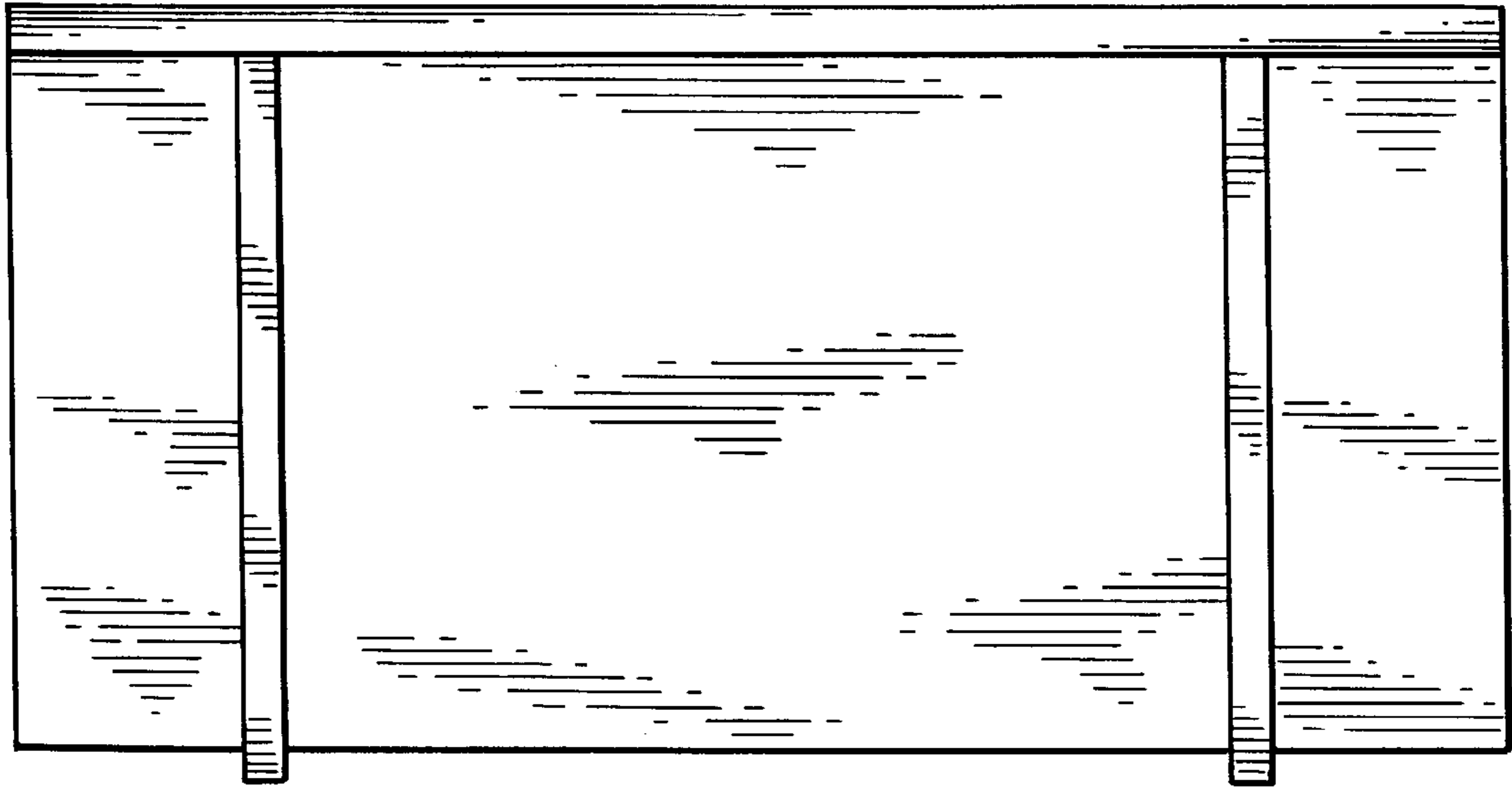


FIG. 3

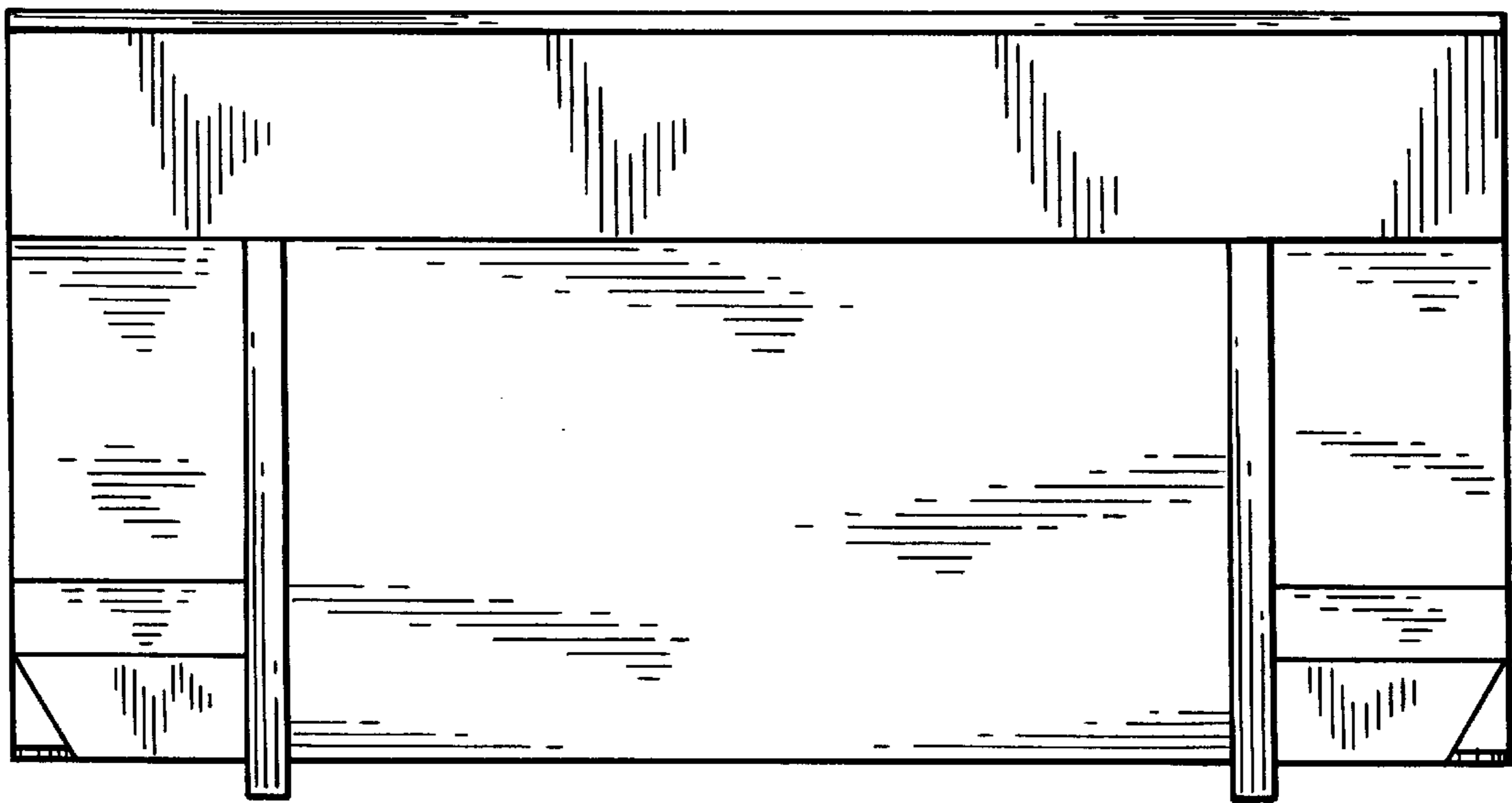


FIG. 4

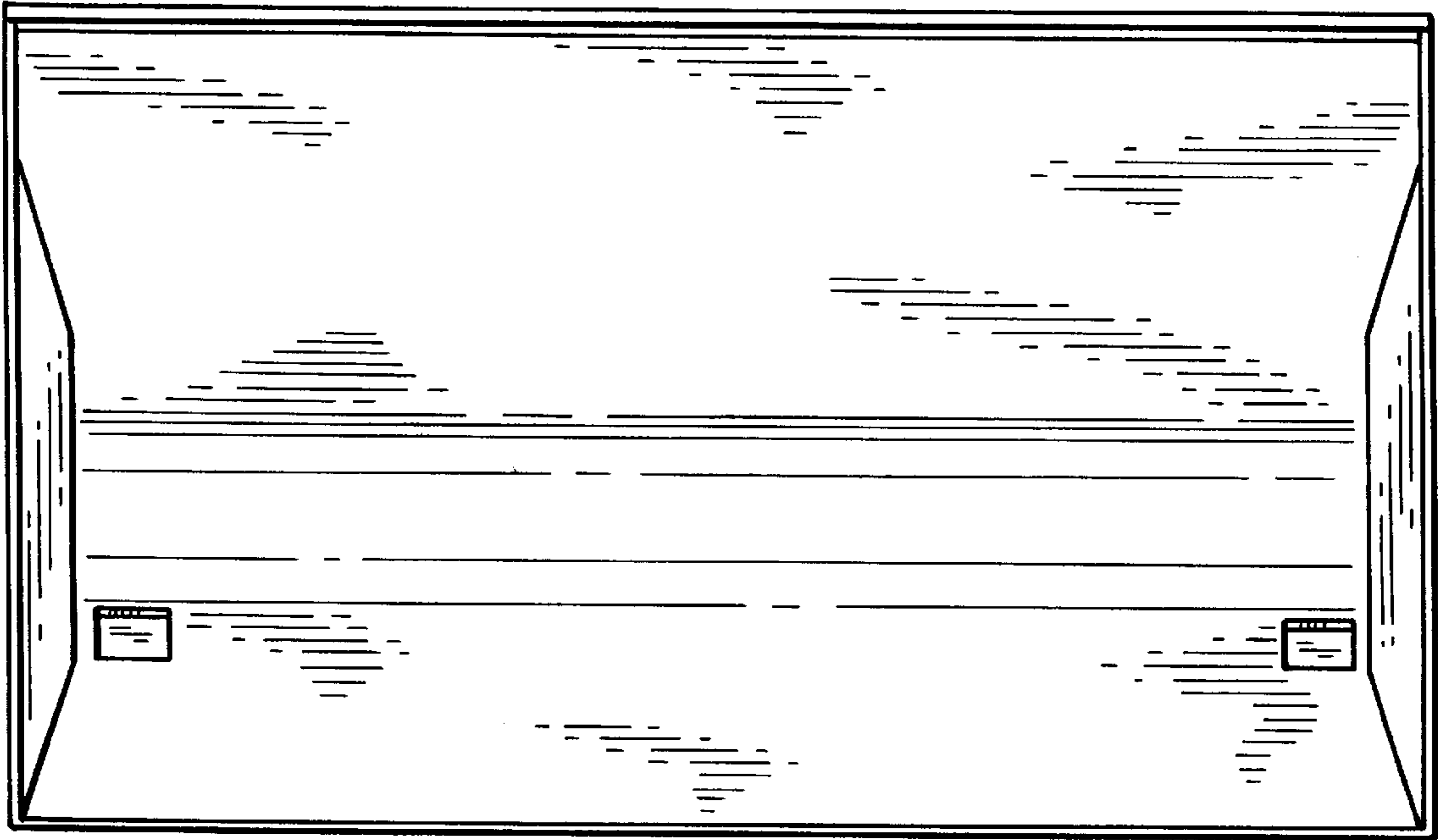


FIG. 5

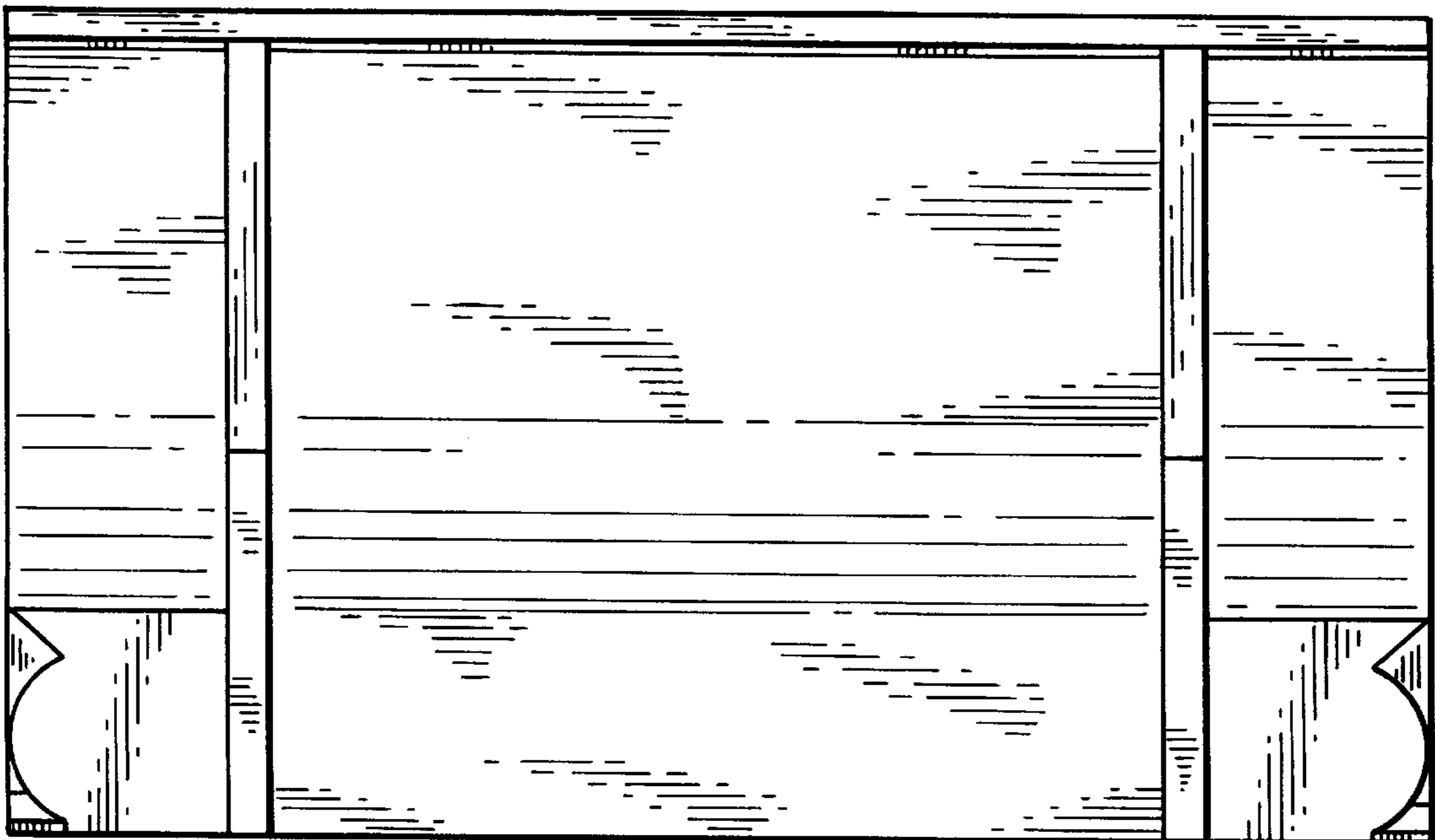


FIG. 6