



US00D402669S

United States Patent [19]

Chapman et al.

[11] **Patent Number: Des. 402,669**

[45] **Date of Patent: **Dec. 15, 1998**

[54] **LINE MARKER**

D. 327,076 6/1992 Chow D15/13
D. 354,288 1/1995 Pena D15/13
5,054,693 10/1991 Chow 239/687

[75] Inventors: **Steven Chapman**, Great Ouseburn;
Richard Edwards, Pontefract;
Catherine J. Ripley, Dewsbury; **Roger
John Peach**, Knowle; **Barrington
Hares**, Great Barr, all of United
Kingdom

Primary Examiner—Sandra L. Morris
Attorney, Agent, or Firm—Dean W. Russell; Kilpatrick
Stockton LLP

[73] Assignee: **Rocol Group Limited**, United
Kingdom

[57] **CLAIM**

The ornamental design for a line marker, as shown and
described.

[**] Term: **14 Years**

DESCRIPTION

[21] Appl. No.: **73,341**

FIG. 1 is a rear perspective view of a line marker, showing
our new design;

[22] Filed: **Jul. 7, 1997**

FIG. 2 is a left side perspective view thereof;

[30] **Foreign Application Priority Data**

Jan. 7, 1997 [GB] United Kingdom 2062232

FIG. 3 is a front perspective view thereof;

[51] **LOC (6) Cl.** **15-04**

[52] **U.S. Cl.** **D15/13**

[58] **Field of Search** D15/10, 13; 239/172,
239/681-689

FIG. 4 is an enlarged fragmentary right side view of the
lower portion, shown broken away for ease of illustration;
FIG. 5 is a right side perspective view thereof, shown broken
away for ease of illustration;

FIG. 6 is an enlarged fragmentary front perspective view of
the lower portion thereof;

FIG. 7 is an enlarged fragmentary rear perspective view of
FIG. 6 and,

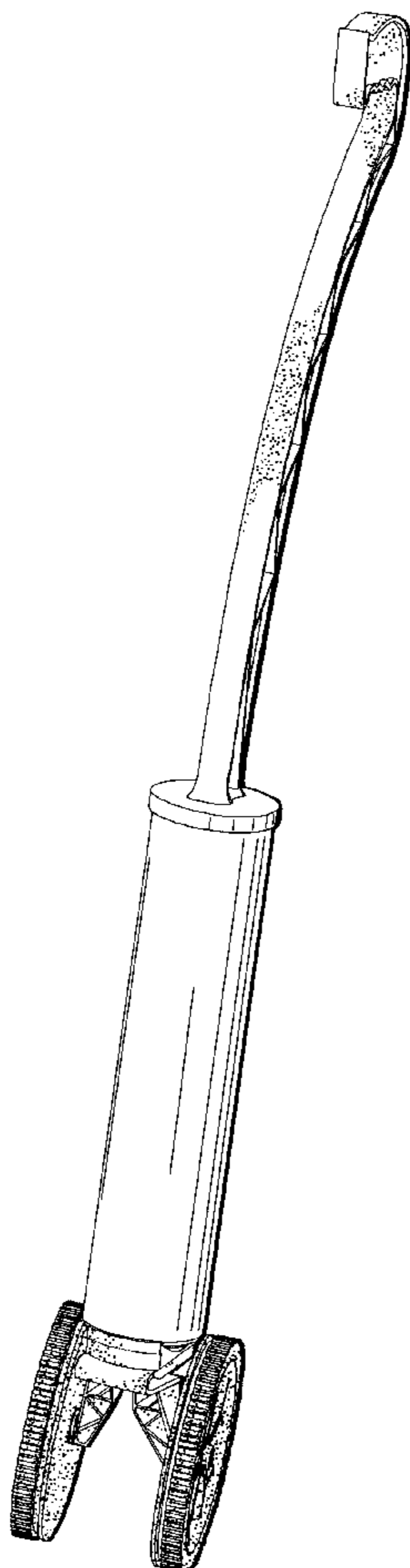
FIG. 8 is an enlarged fragmentary bottom perspective view
thereof.

[56] **References Cited**

U.S. PATENT DOCUMENTS

D. 196,739 10/1963 Walls D15/13

1 Claim, 6 Drawing Sheets



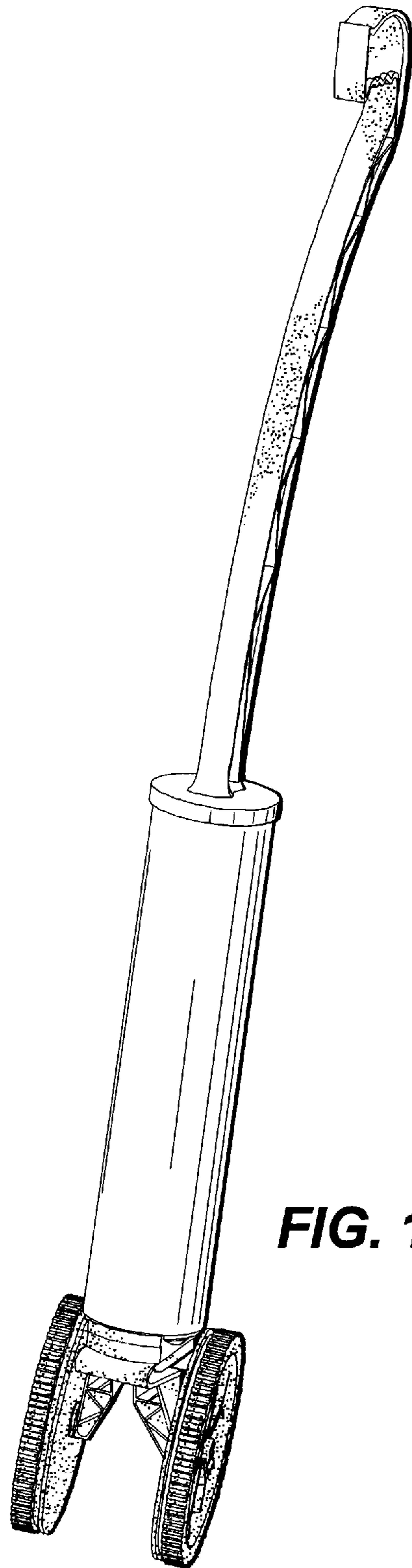


FIG. 1

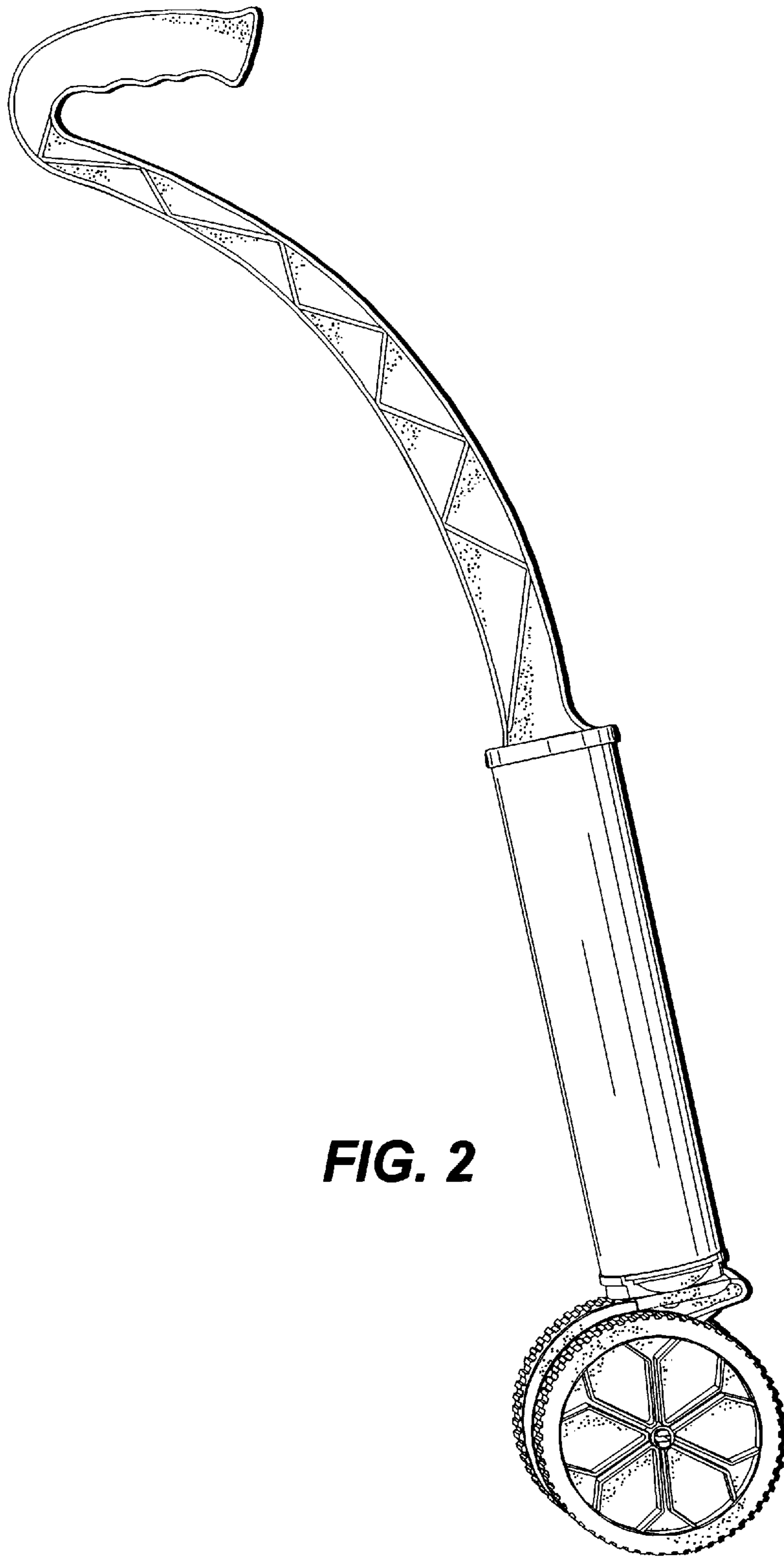


FIG. 2

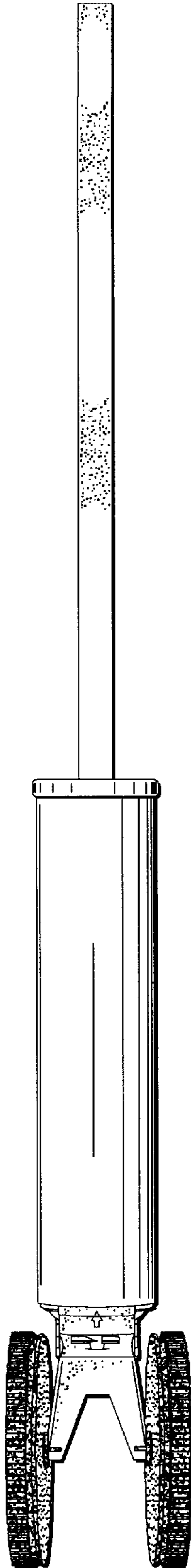


FIG. 3

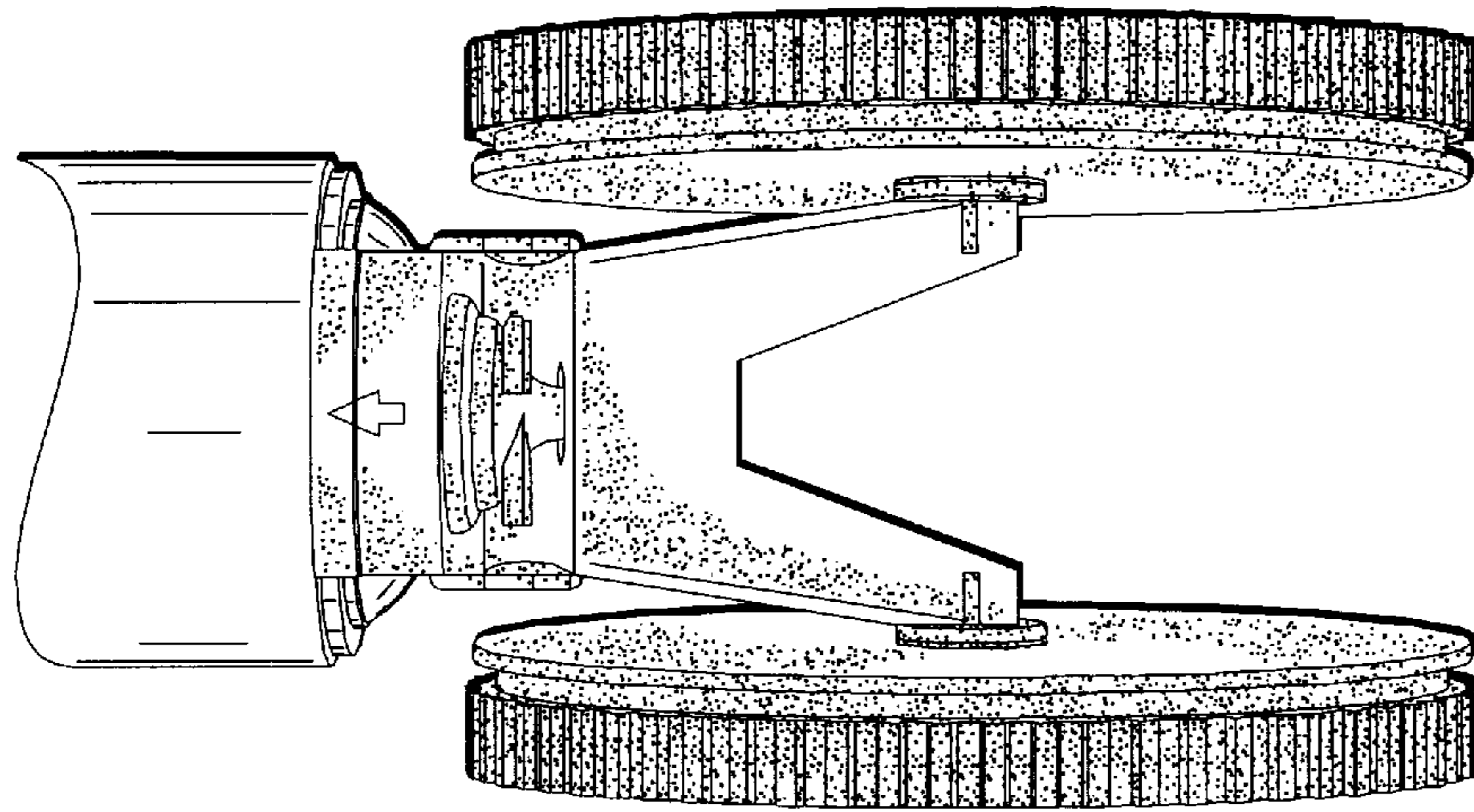


FIG. 6

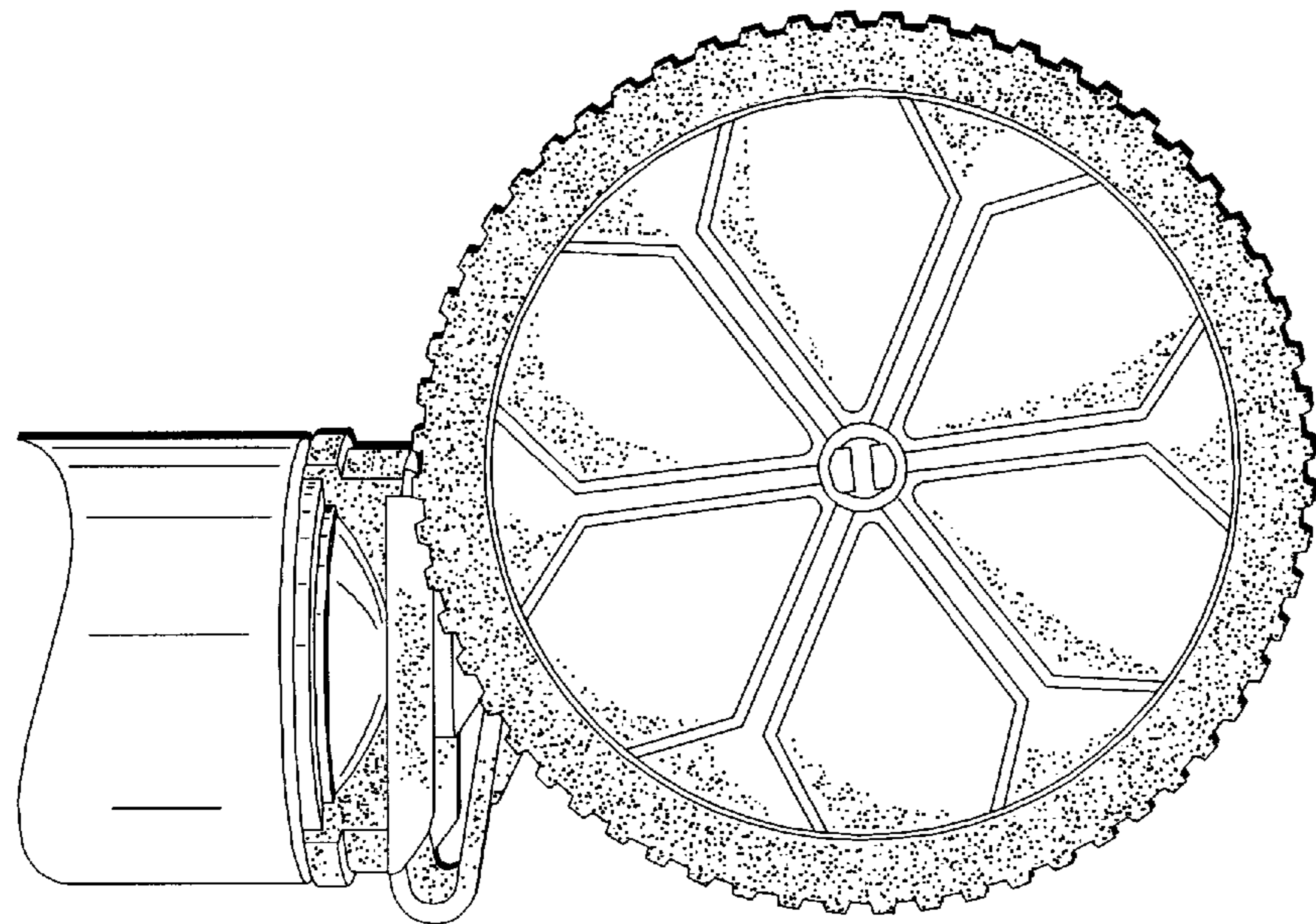


FIG. 4

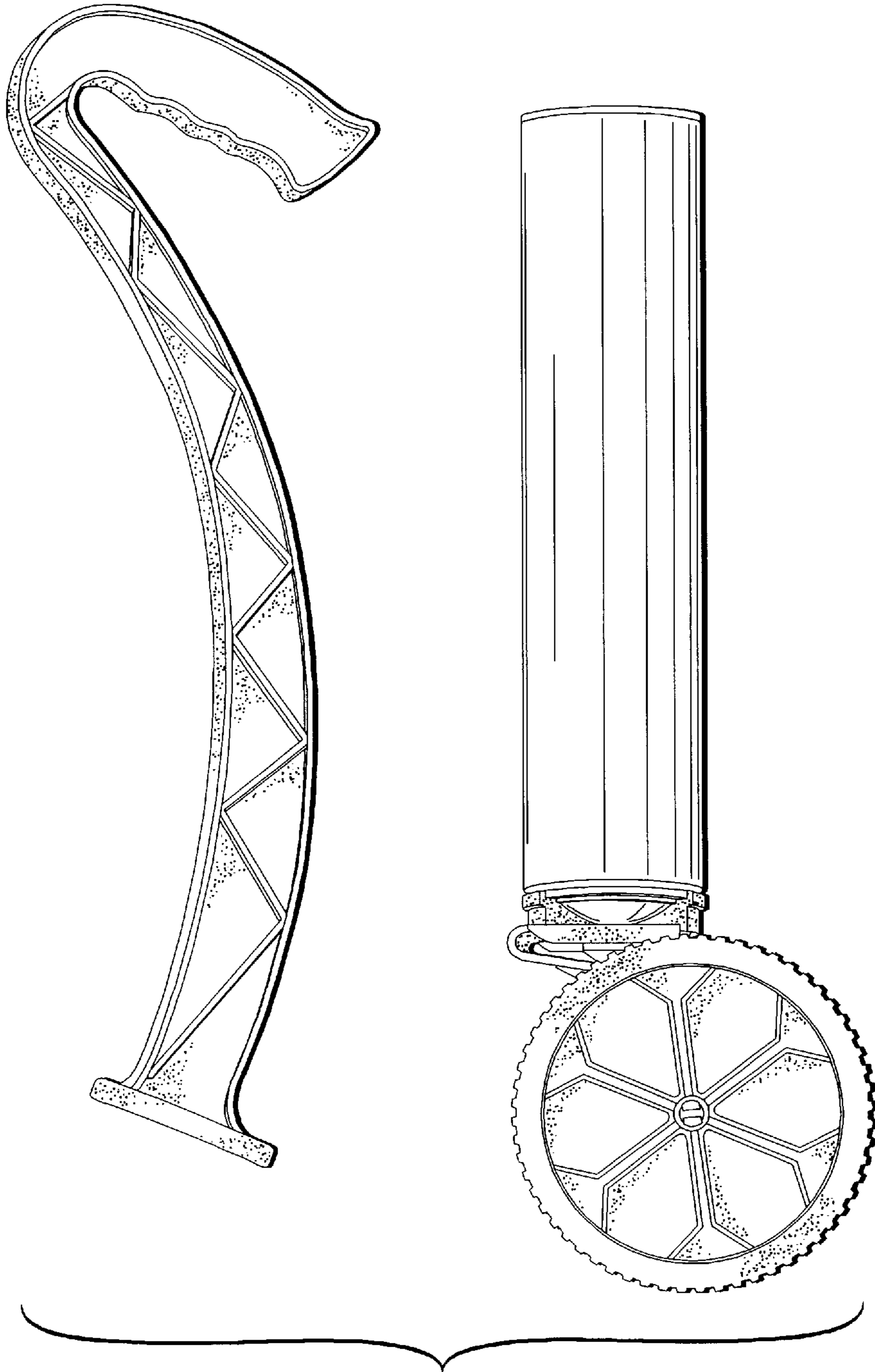


FIG. 5

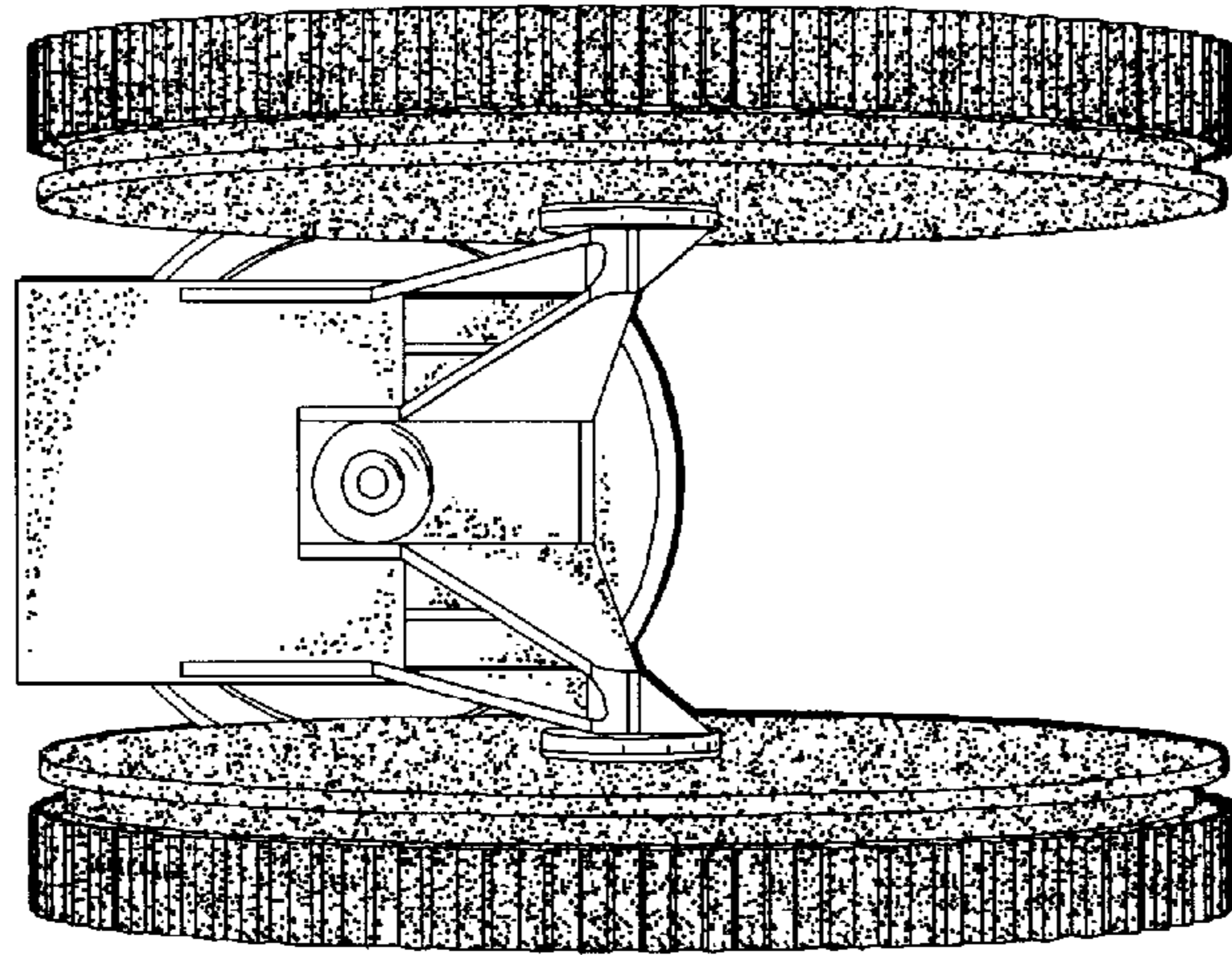


FIG. 8

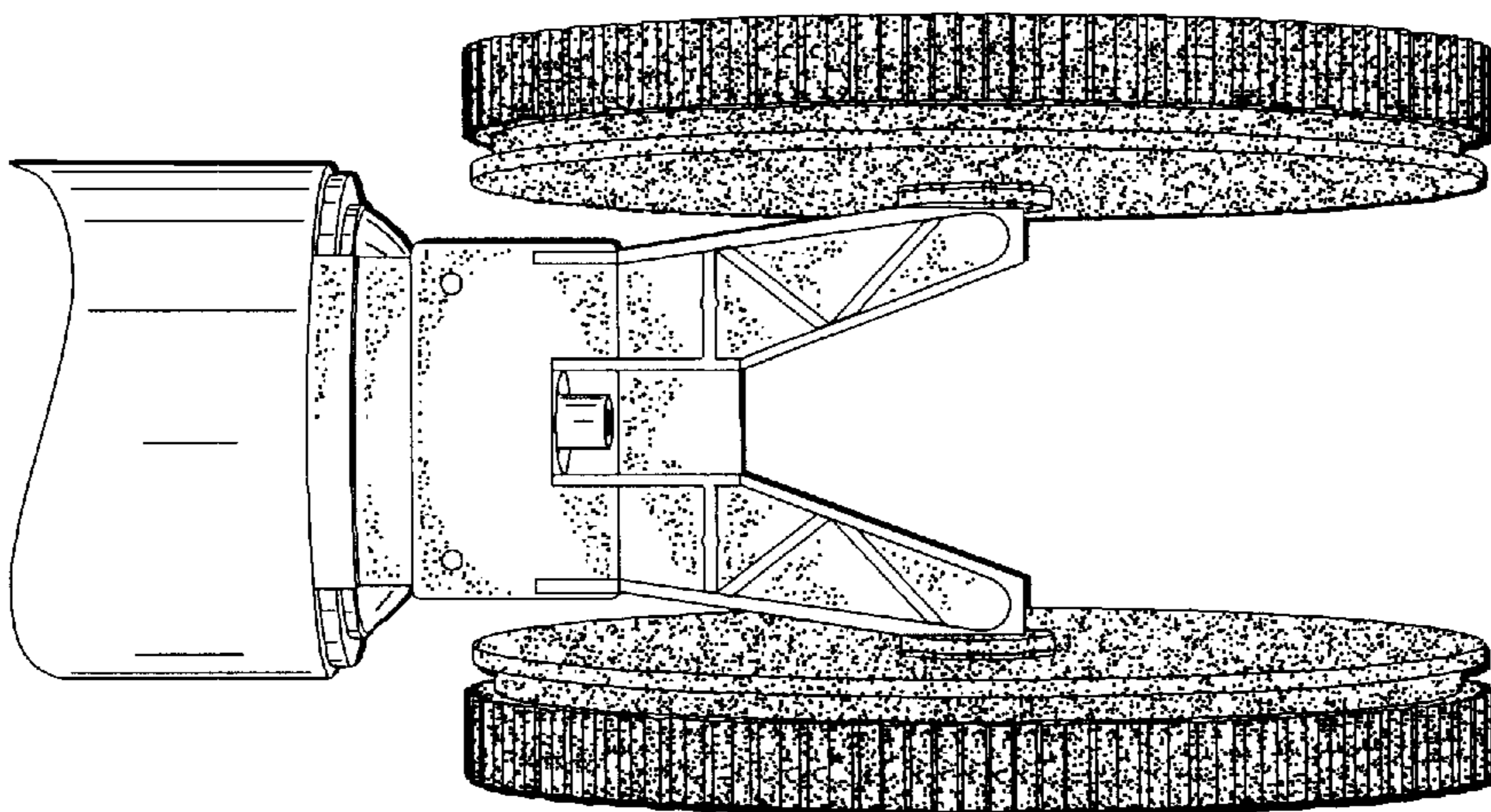


FIG. 7