



US00D402668S

# United States Patent [19] Schorr

[11] **Patent Number: Des. 402,668**

[45] **Date of Patent: \*\*Dec. 15, 1998**

[54] **AEROPONIC PLANT GROWER WITH PLANT SUPPORT**

4,514,930 5/1985 Schorr et al. .... 47/60  
5,440,836 8/1995 Lee ..... 47/60

[75] Inventor: **Steven M. Schorr**, San Anselmo, Calif.

*Primary Examiner*—Sandra L. Morris  
*Attorney, Agent, or Firm*—Thomas R. Lampe

[73] Assignee: **Bioponic International**, San Rafael, Calif.

[57] **CLAIM**

[\*\*] Term: **14 Years**

The ornamental design for an aeroponic plant grower with plant support, as shown and described.

[21] Appl. No.: **78,844**

### DESCRIPTION

[22] Filed: **Nov. 4, 1997**

[51] **LOC (6) Cl.** ..... **15-03**

[52] **U.S. Cl.** ..... **D15/10**

[58] **Field of Search** ..... D8/1; D11/155,  
D11/156; D15/10; 47/59, 60, 62, 63

FIG. 1 is a front perspective view of an aeroponic plant grower with plant support showing my design; FIG. 2 is a front elevational view thereof; FIG. 3 is a top plan view thereof; FIG. 4 is a bottom plan view thereof; FIG. 5 is a right side elevation view thereof; FIG. 6 is a rear elevation view thereof; and, FIG. 7 is a left side elevation view thereof.

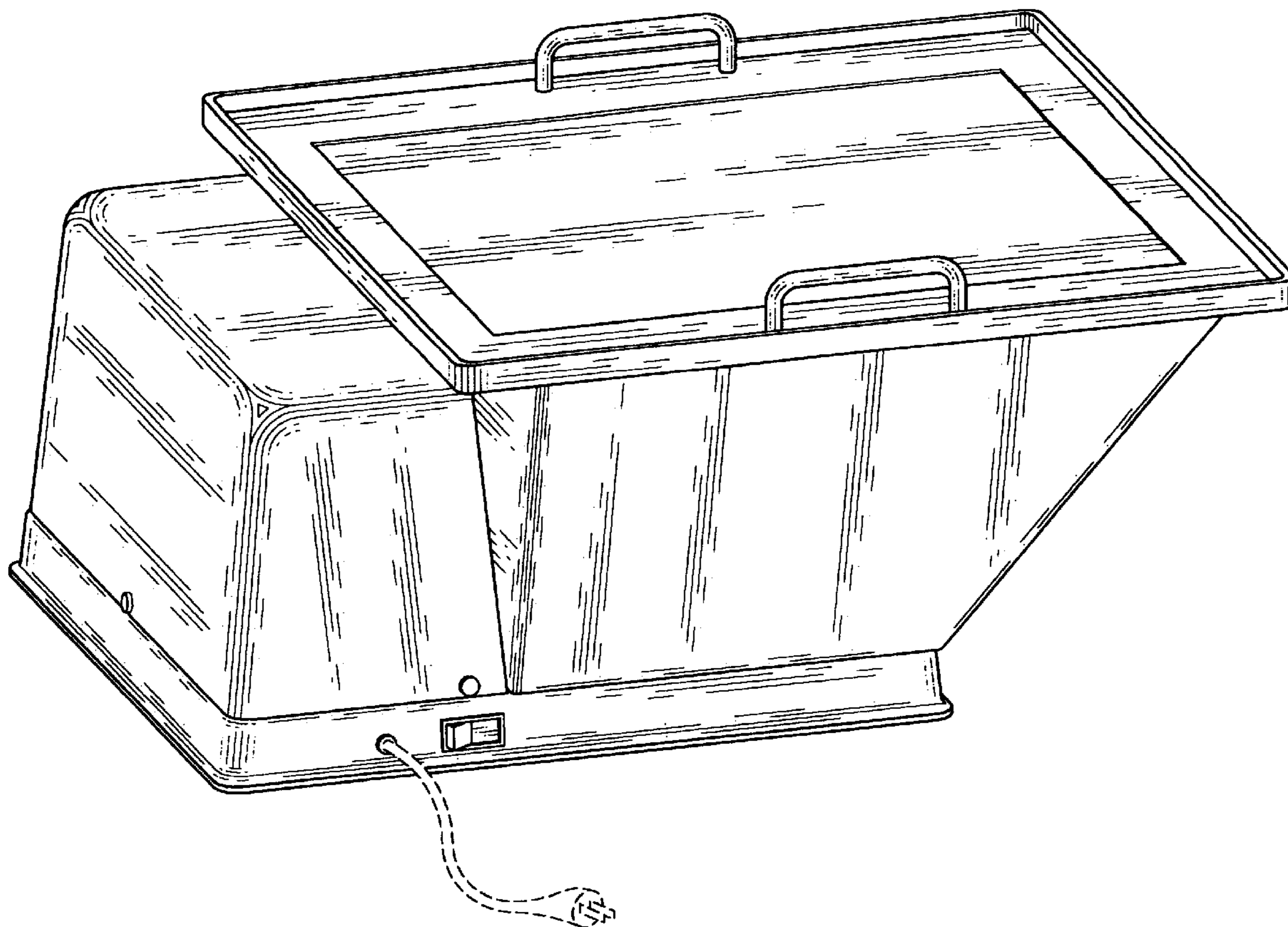
### [56] **References Cited**

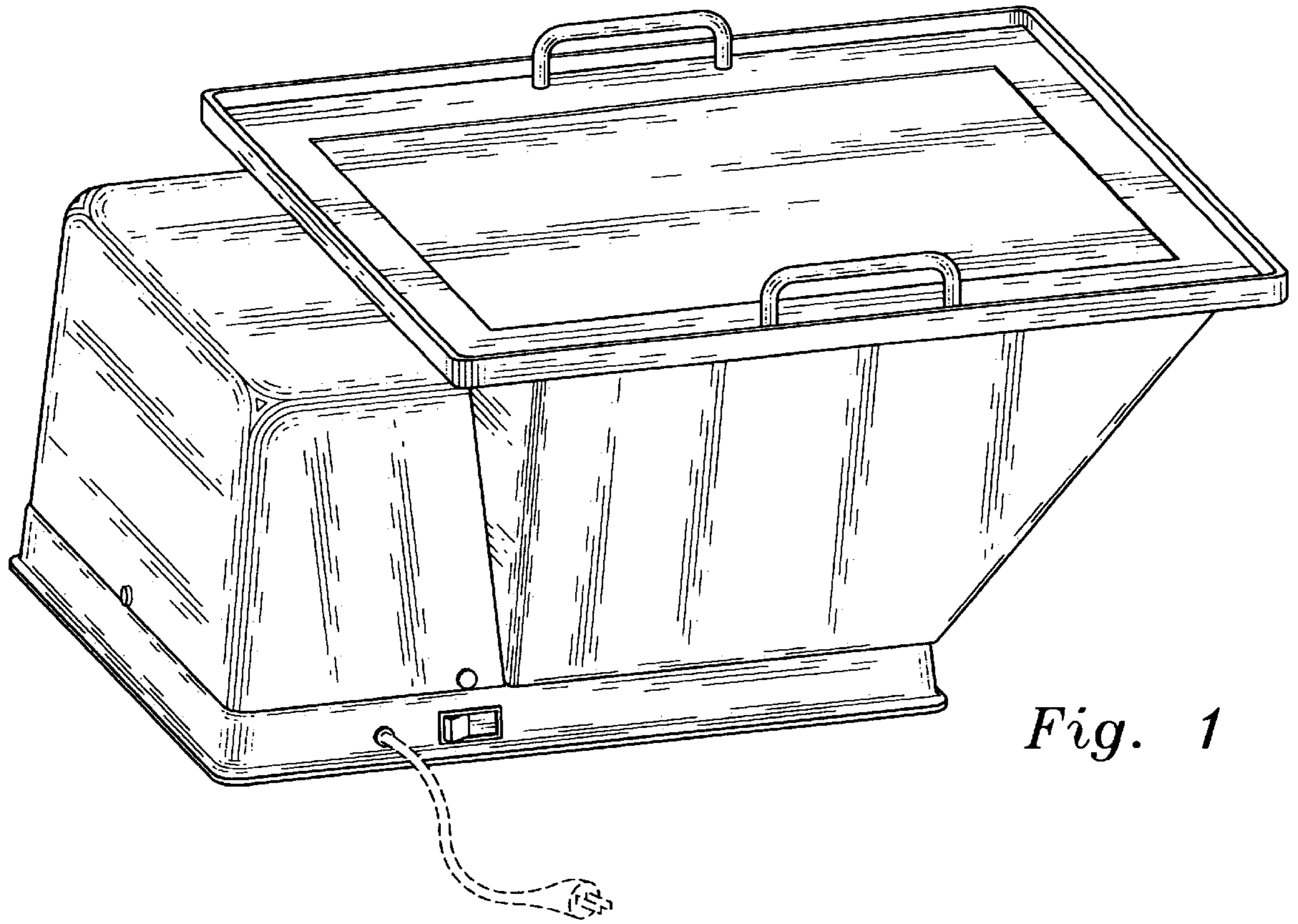
#### U.S. PATENT DOCUMENTS

D. 242,267 11/1976 Feeney, Jr. .... D11/155  
D. 256,344 8/1980 Schenk ..... D11/156  
4,248,013 2/1981 Allen ..... 47/59  
4,419,842 12/1983 Paloian ..... 47/62

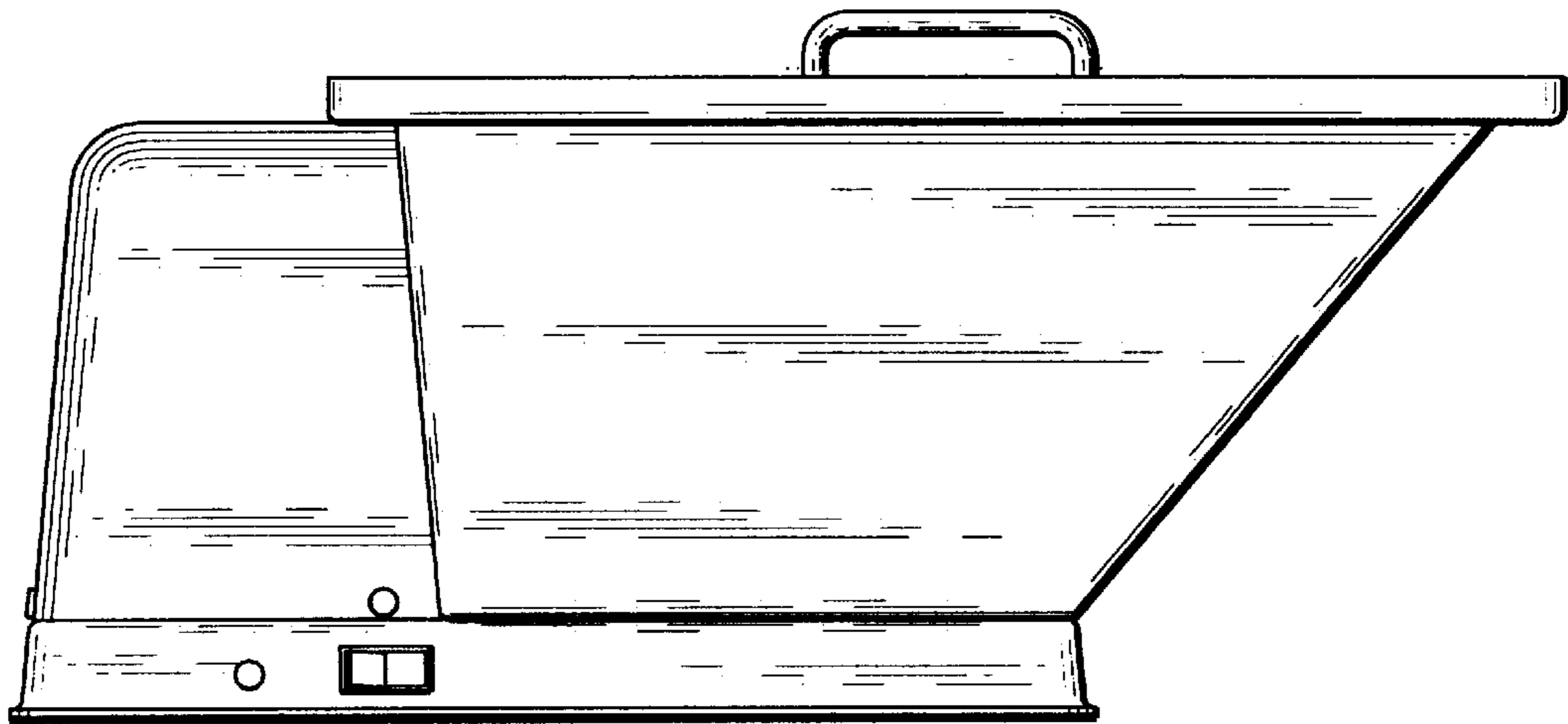
The broken line showing of a utility cord in FIG. 1 of the drawing is for illustrative purposes only and forms no part of the claimed design.

**1 Claim, 3 Drawing Sheets**

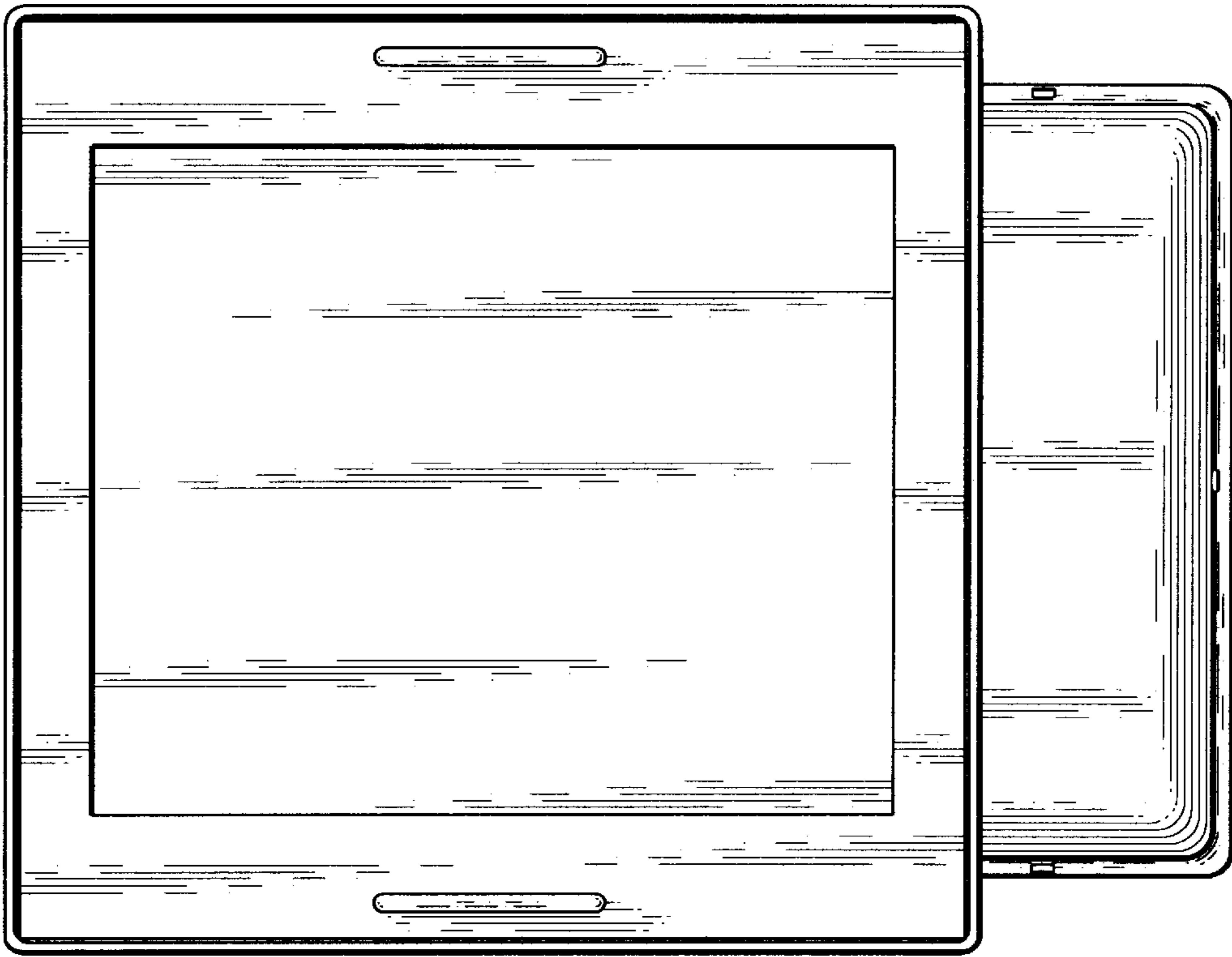




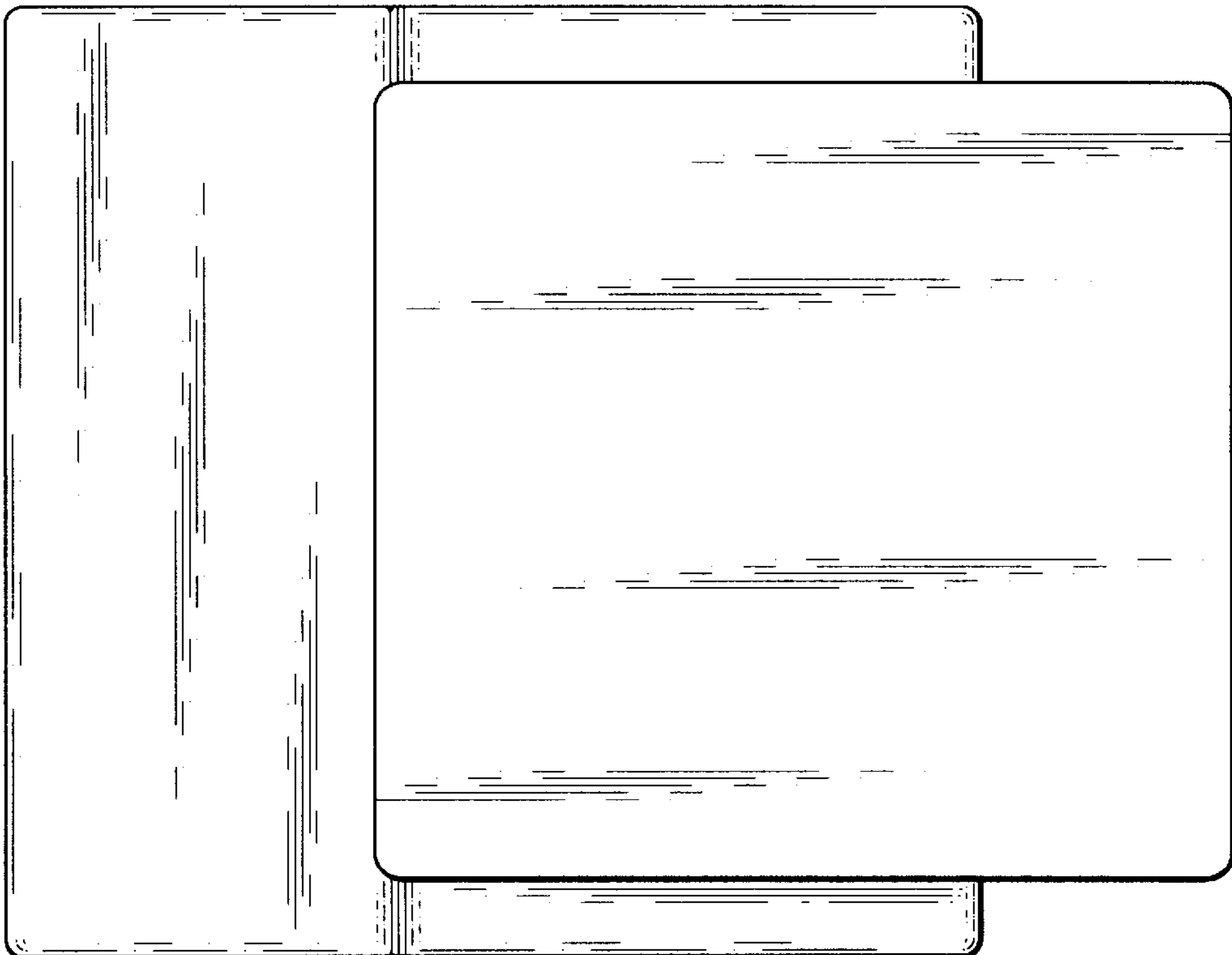
*Fig. 1*



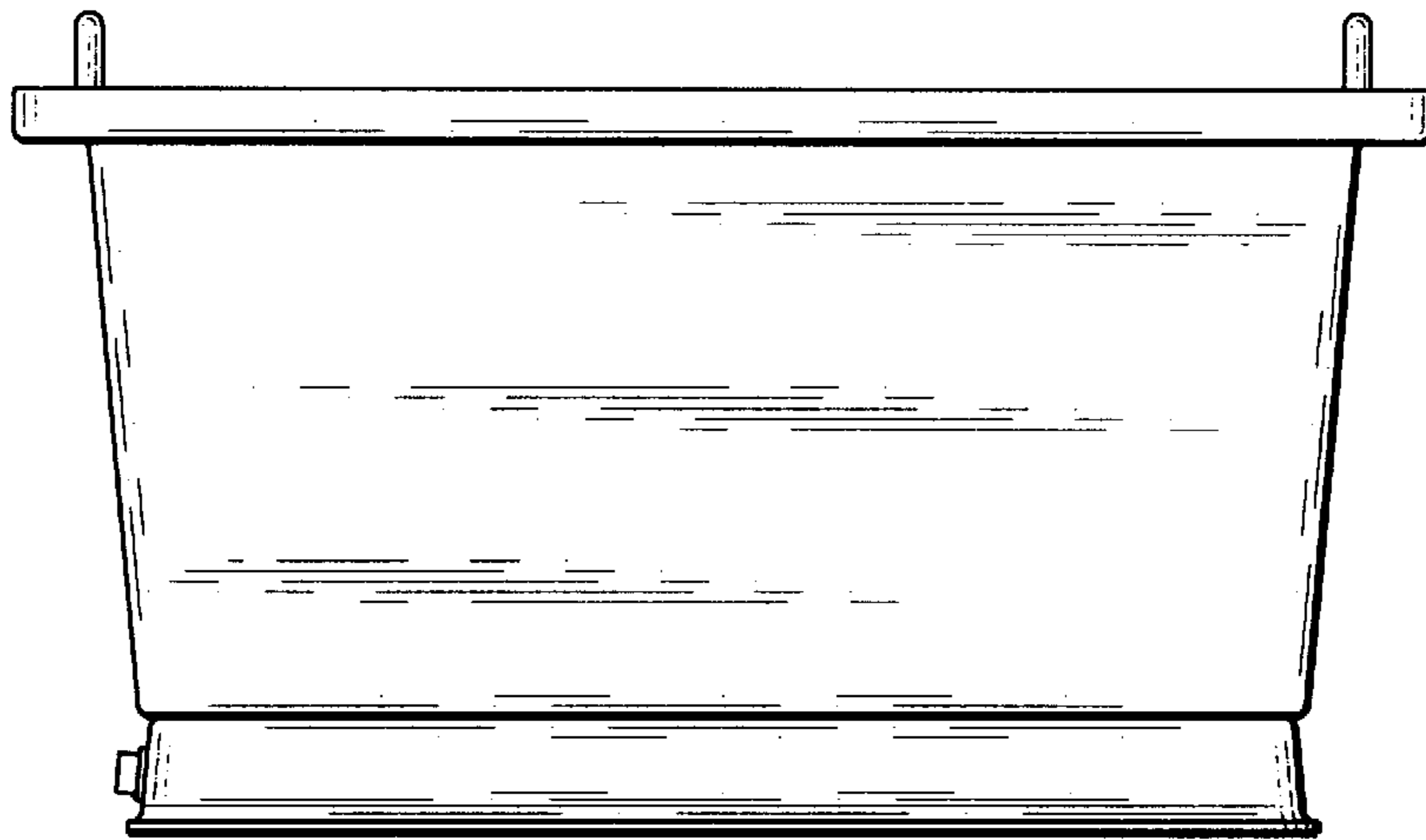
*Fig. 2*



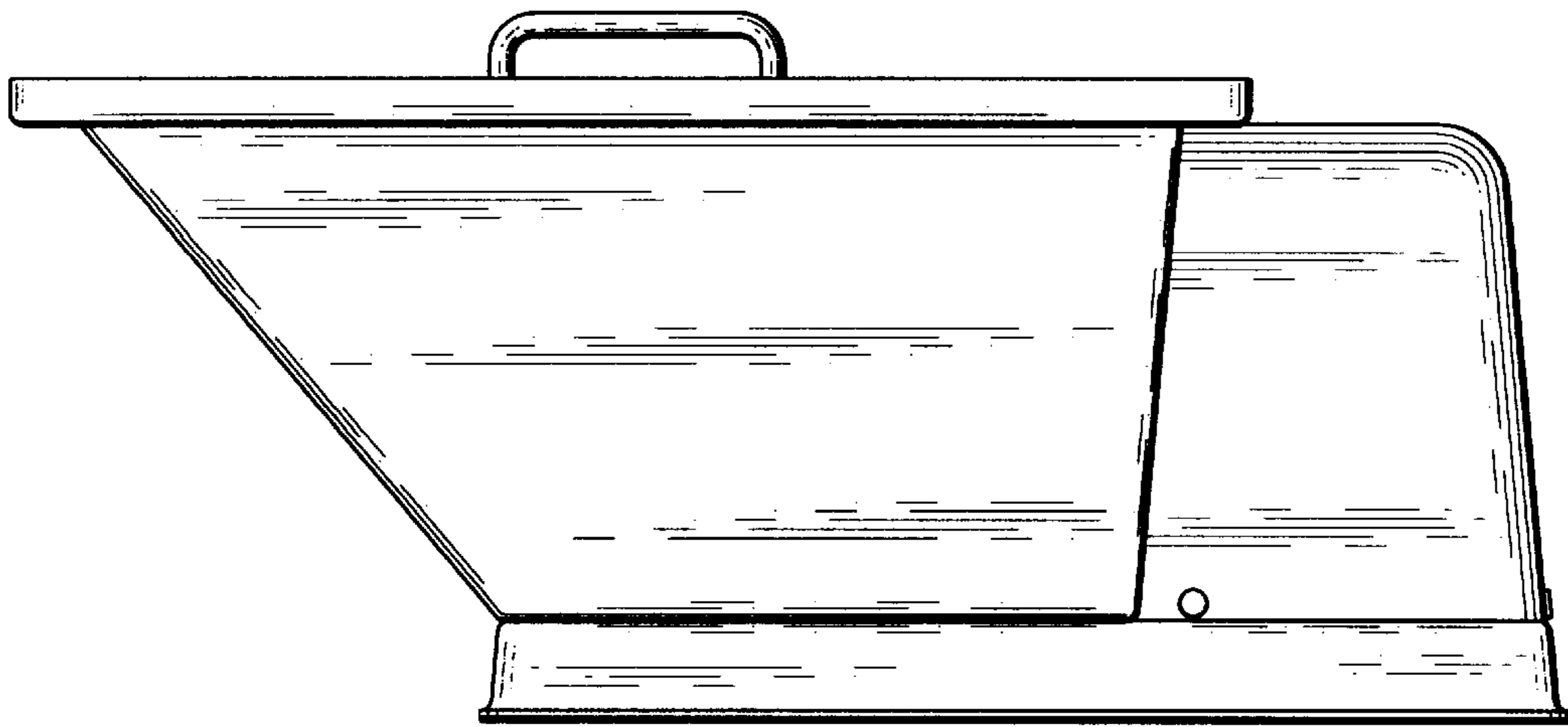
*Fig. 3*



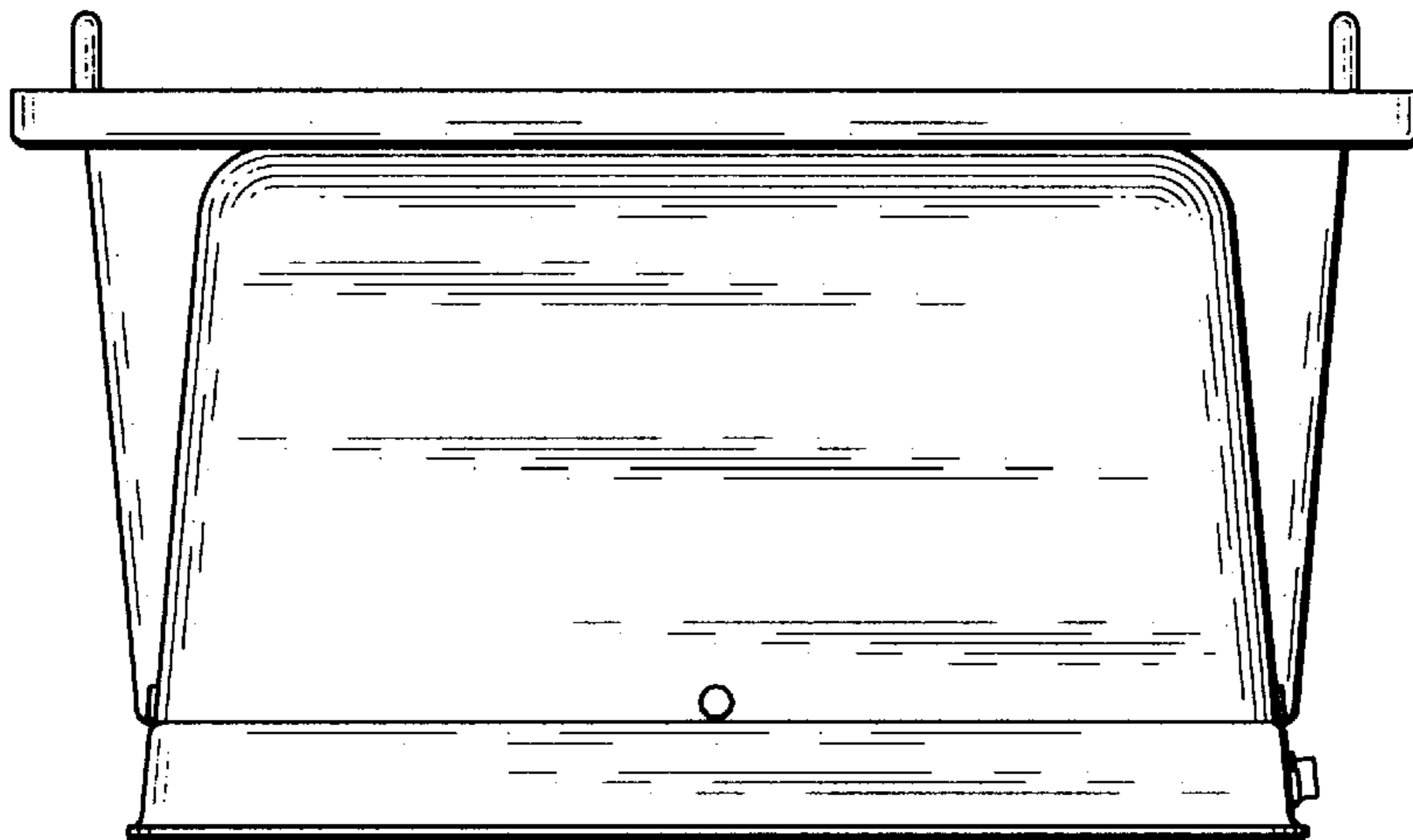
*Fig. 4*



*Fig. 5*



*Fig. 6*



*Fig. 7*