



US00D402666S

United States Patent [19] Golder

[11] **Patent Number: Des. 402,666**

[45] **Date of Patent: **Dec. 15, 1998**

[54] **SUPPORT FOR RECEIPT IN A CUP HOLDER**

[76] Inventor: **Thomas J. Golder**, 4200 Denbigh Dr.,
Charlotte, N.C. 28226

[**] Term: **14 Years**

[21] Appl. No.: **83,257**

[22] Filed: **Feb. 6, 1998**

[51] **LOC (6) Cl. 14-03**

[52] **U.S. Cl. D14/253**

[58] **Field of Search** D13/107, 108;
D14/140, 142, 240, 149, 251-253, 107,
114, 116; 379/419, 420, 428, 440, 433-436,
446, 454, 455

[56] **References Cited**

U.S. PATENT DOCUMENTS

D. 227,117	6/1973	Breger	D14/251
D. 277,662	2/1985	Huntington et al.	D13/107
D. 289,898	5/1987	Miller	379/454 X
D. 323,504	1/1992	Langton	D14/253
D. 344,708	3/1994	Ho	D13/108
D. 370,681	6/1996	Diamond .	
D. 388,434	12/1997	Lepack	D14/149
5,052,943	10/1991	Davis	D13/108 X
5,060,260	10/1991	O'Connell .	
5,071,049	12/1991	Mozer .	
5,131,036	7/1992	Dunchock .	
5,187,744	2/1993	Richter .	
5,230,016	7/1993	Yasuda	D14/142 X
5,303,292	4/1994	Takahashi et al. .	
5,392,350	2/1995	Swanson .	
5,396,556	3/1995	Chen .	
5,524,050	6/1996	Boerema et al. .	

5,556,017	9/1996	Troy .	
5,745,565	4/1998	Wakefield	379/455 X
5,748,727	5/1998	Lundell et al.	379/446

FOREIGN PATENT DOCUMENTS

3-85949 (A)	4/1991	Japan	379/455
-------------	--------	-------------	---------

Primary Examiner—Jeffrey Asch
Attorney, Agent, or Firm—Bell Seltzer Intellectual Property
Law Group of Alston & Bird LLP

[57] **CLAIM**

The ornamental design for a support for receipt in a cup holder, as shown and described.

DESCRIPTION

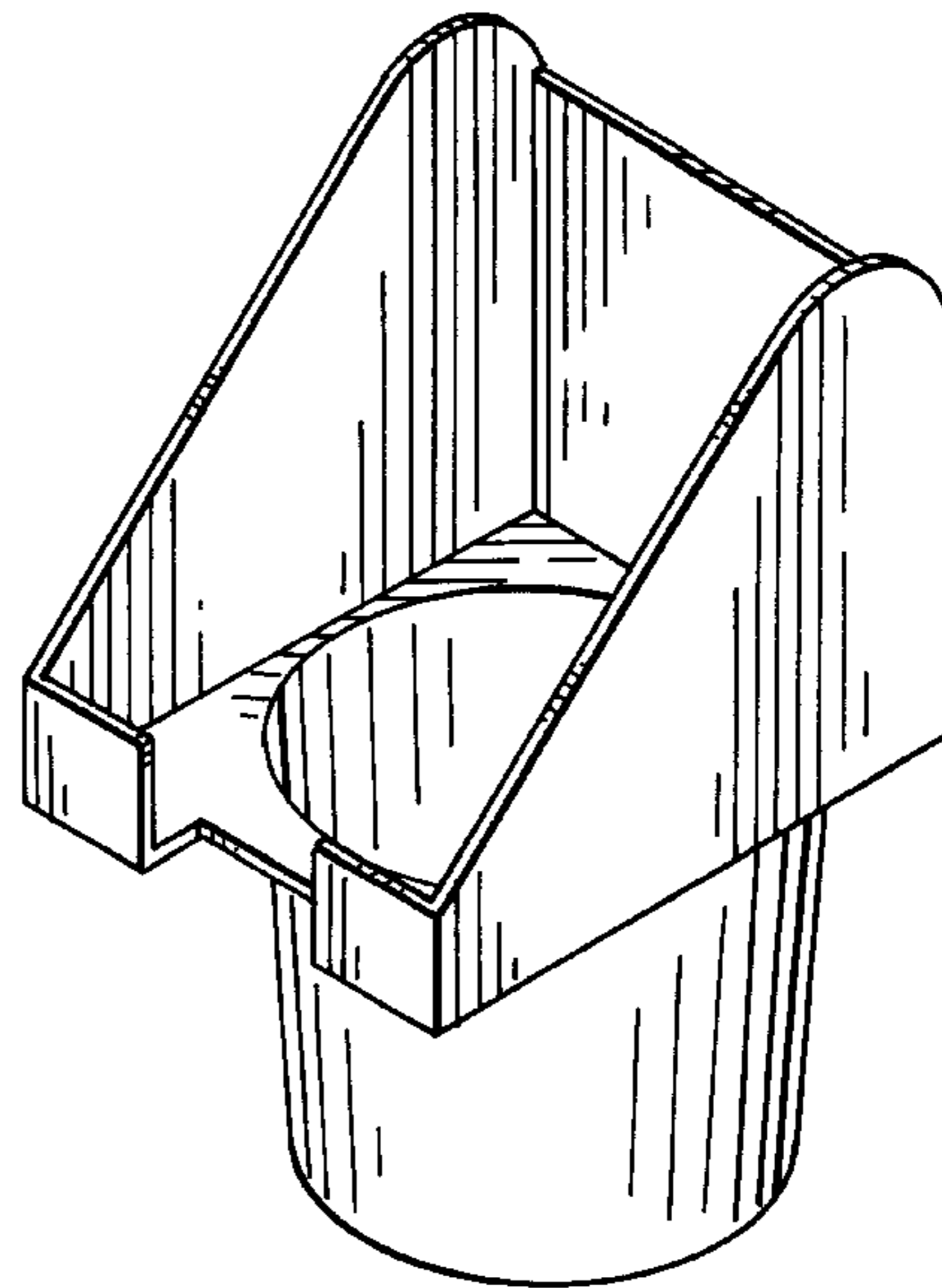
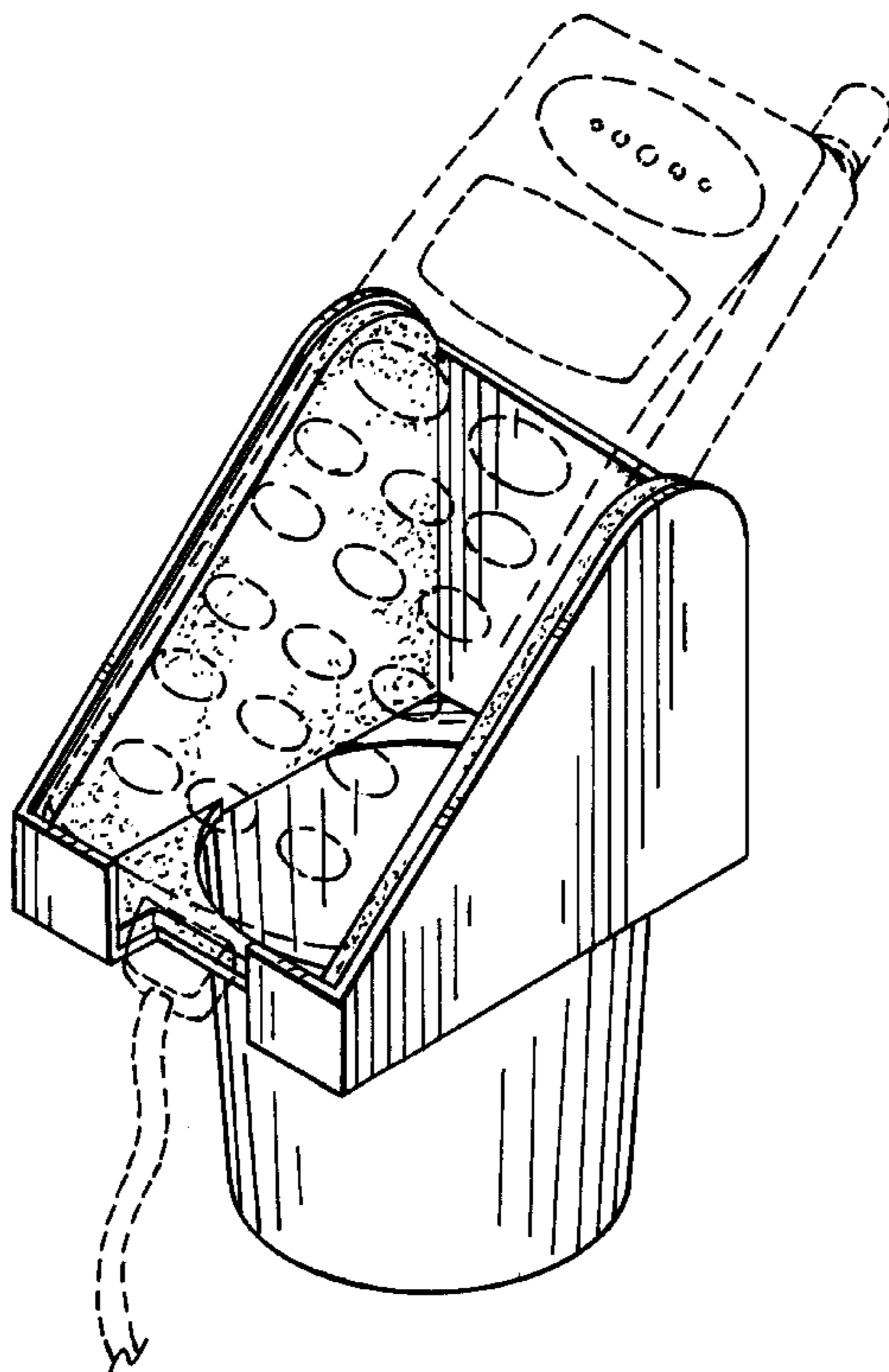
FIG. 1 is a perspective view of a support for receipt in a cup holder according to a first embodiment of my new design; FIG. 2 is a left side elevational view thereof; FIG. 3 is a top plan view thereof; FIG. 4 is a front elevational view thereof; FIG. 5 is a bottom plan view thereof; FIG. 6 is a rear elevational view thereof; FIG. 7 is a perspective view of a support for receipt in a cup holder according to a second embodiment of my new design; FIG. 8 is a top plan view thereof; and, FIG. 9 is a front elevational view thereof.

The broken lines shown herein are for illustrative purposes only and form no part of the claimed design.

The left side elevational view of the second embodiment is identical to that shown in FIG. 2.

The right side elevational view of the embodiments of FIGS. 1 and 7 are a mirror image of FIG. 2.

1 Claim, 5 Drawing Sheets



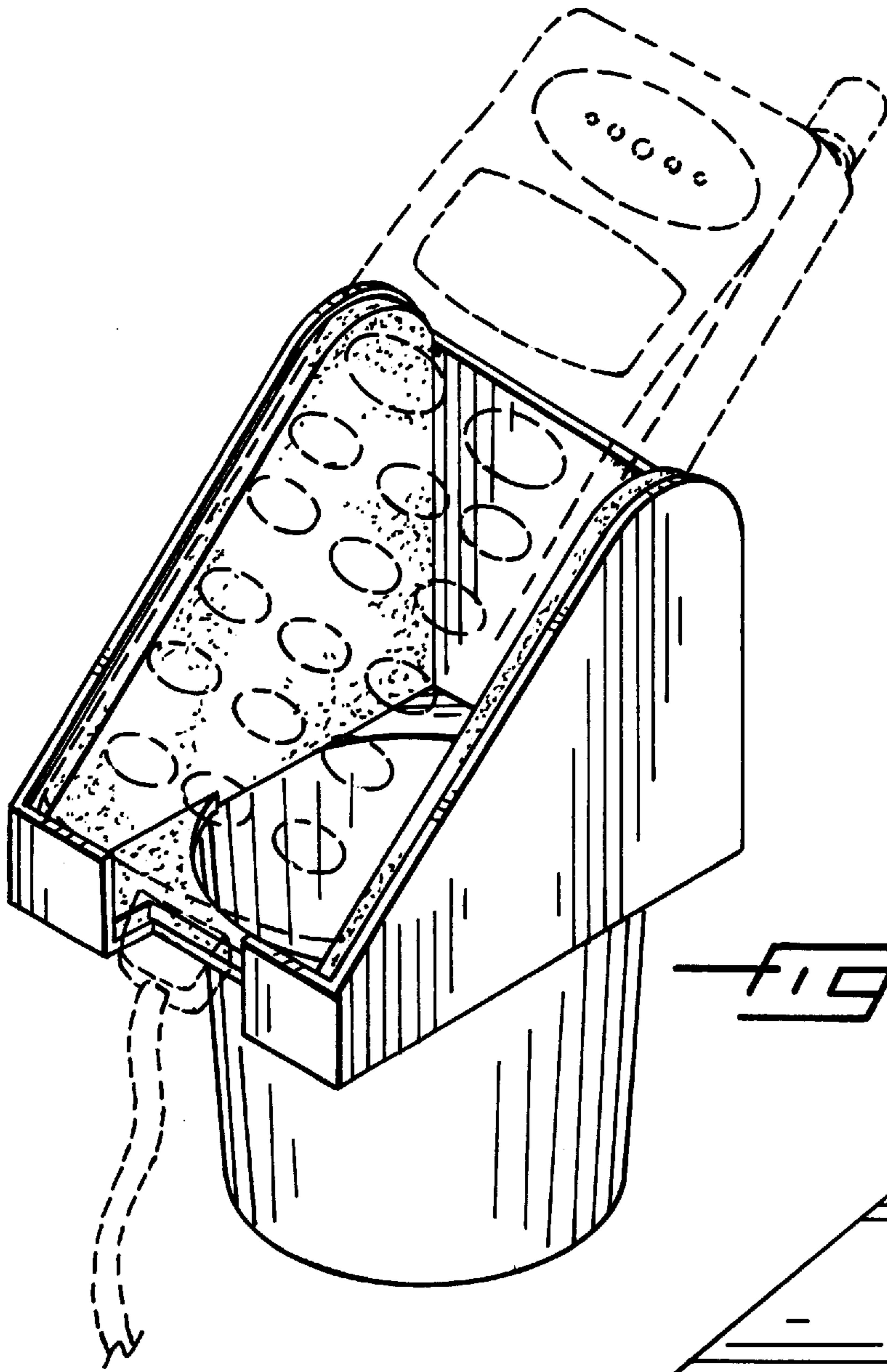


FIG. 1.

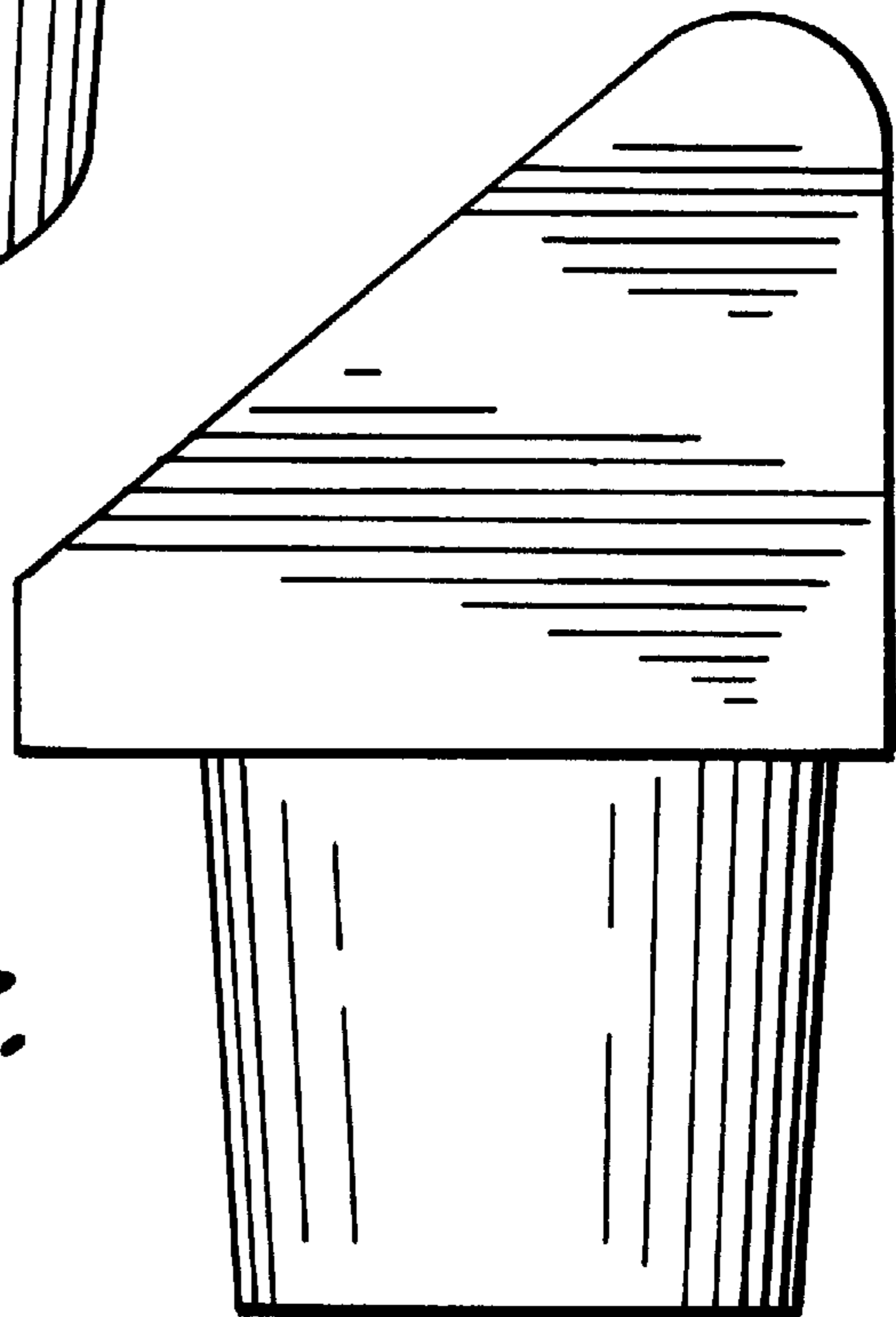


FIG. 2.

FIG. 3.

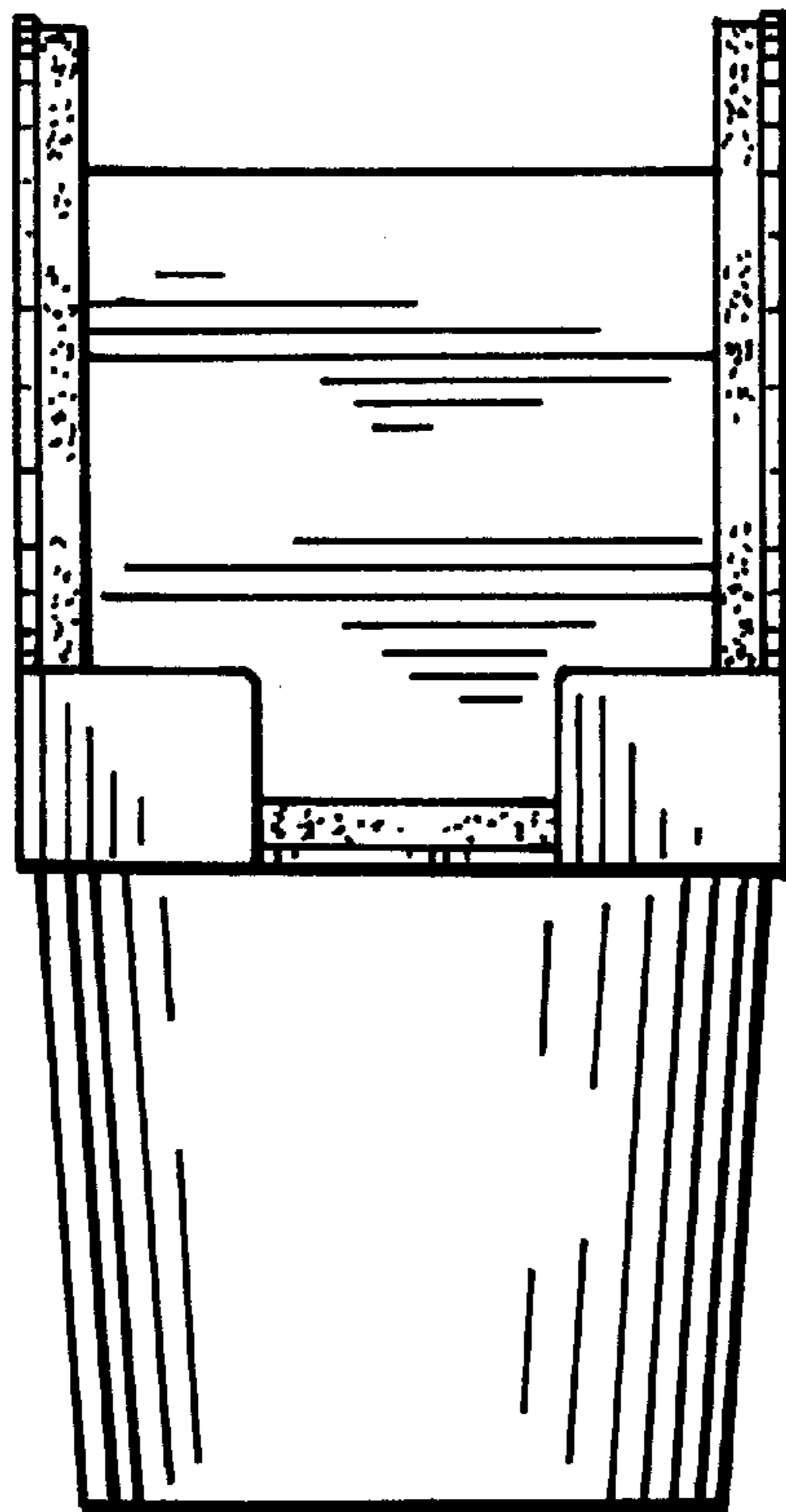
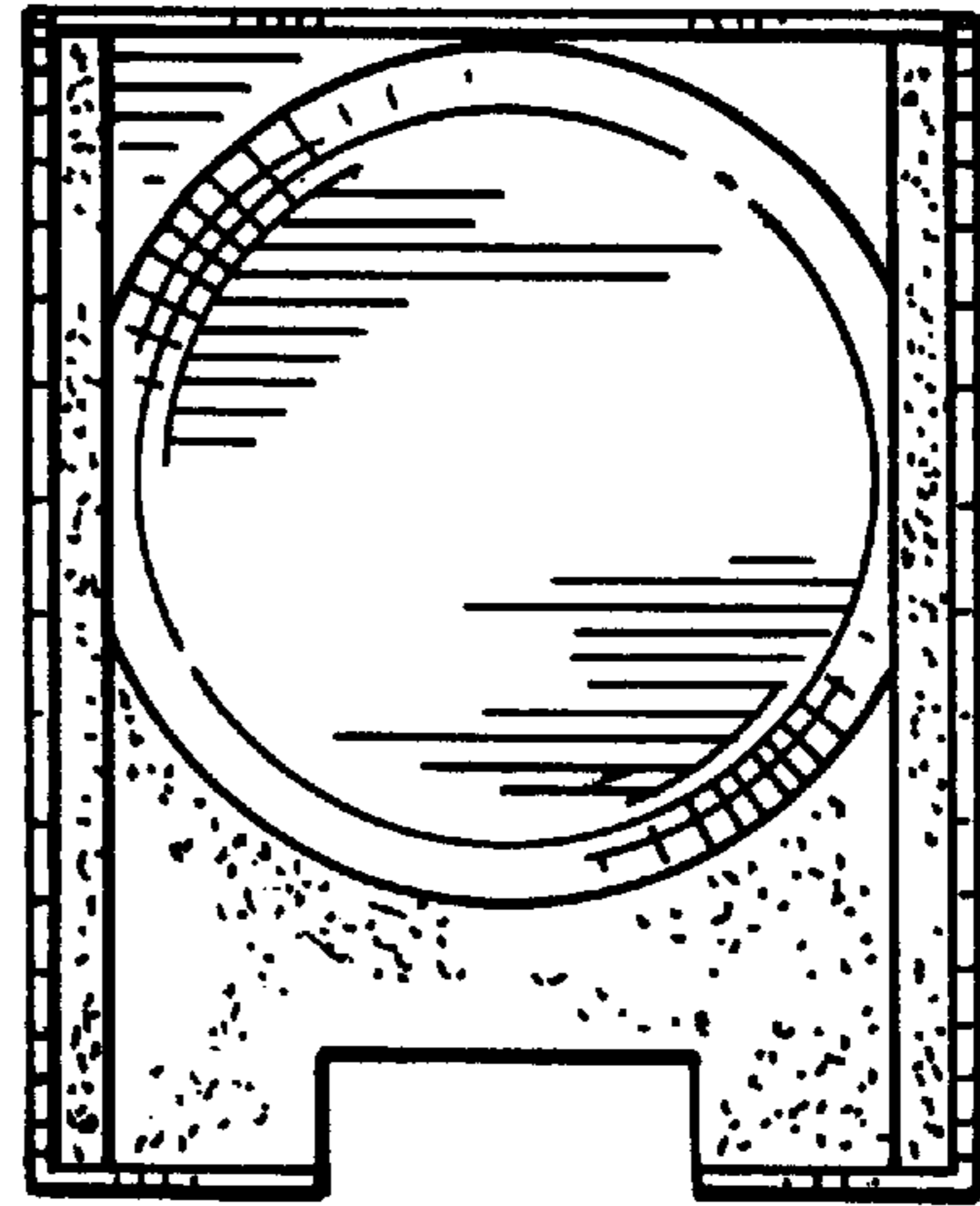


FIG. 4.

FIG. 5.

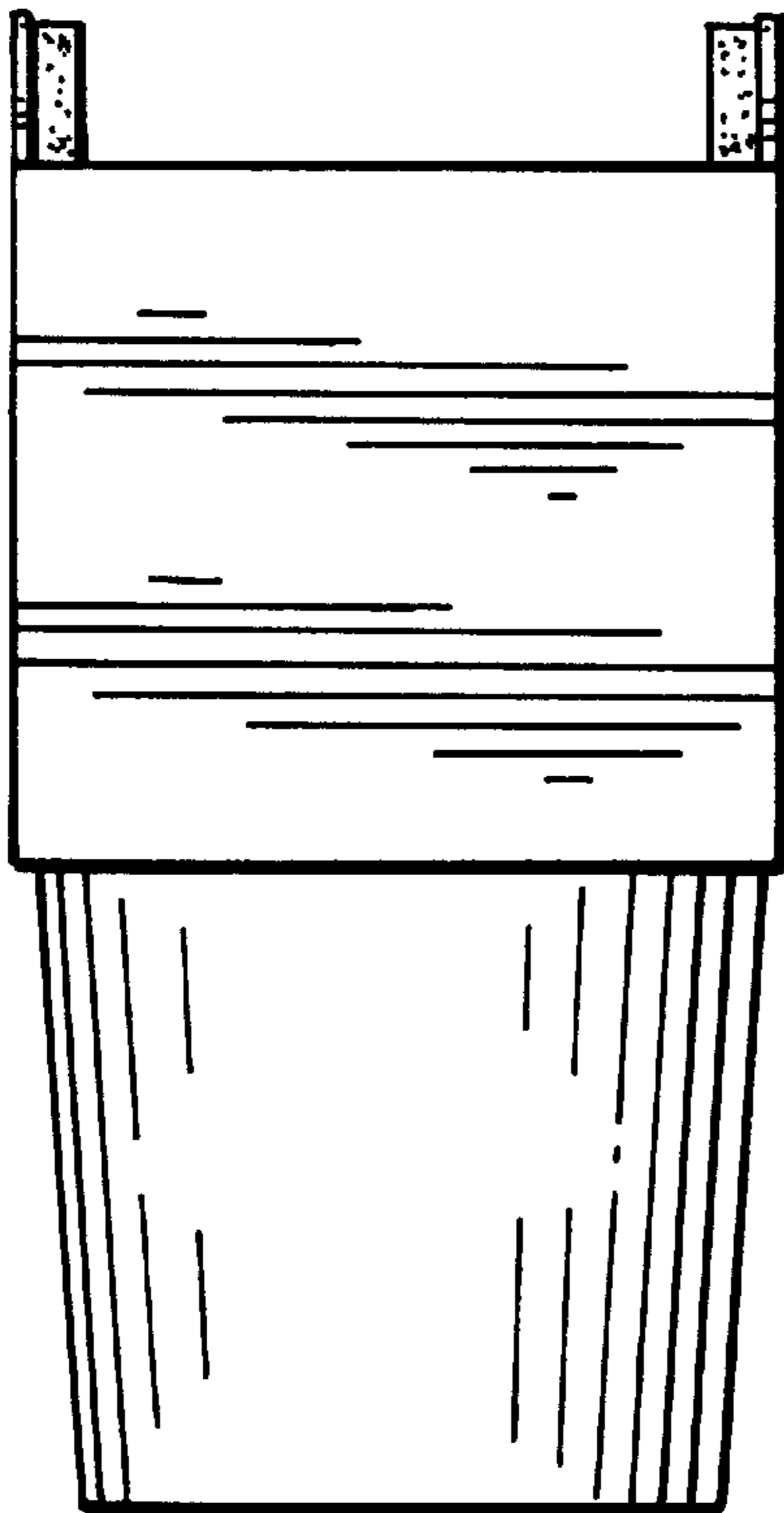
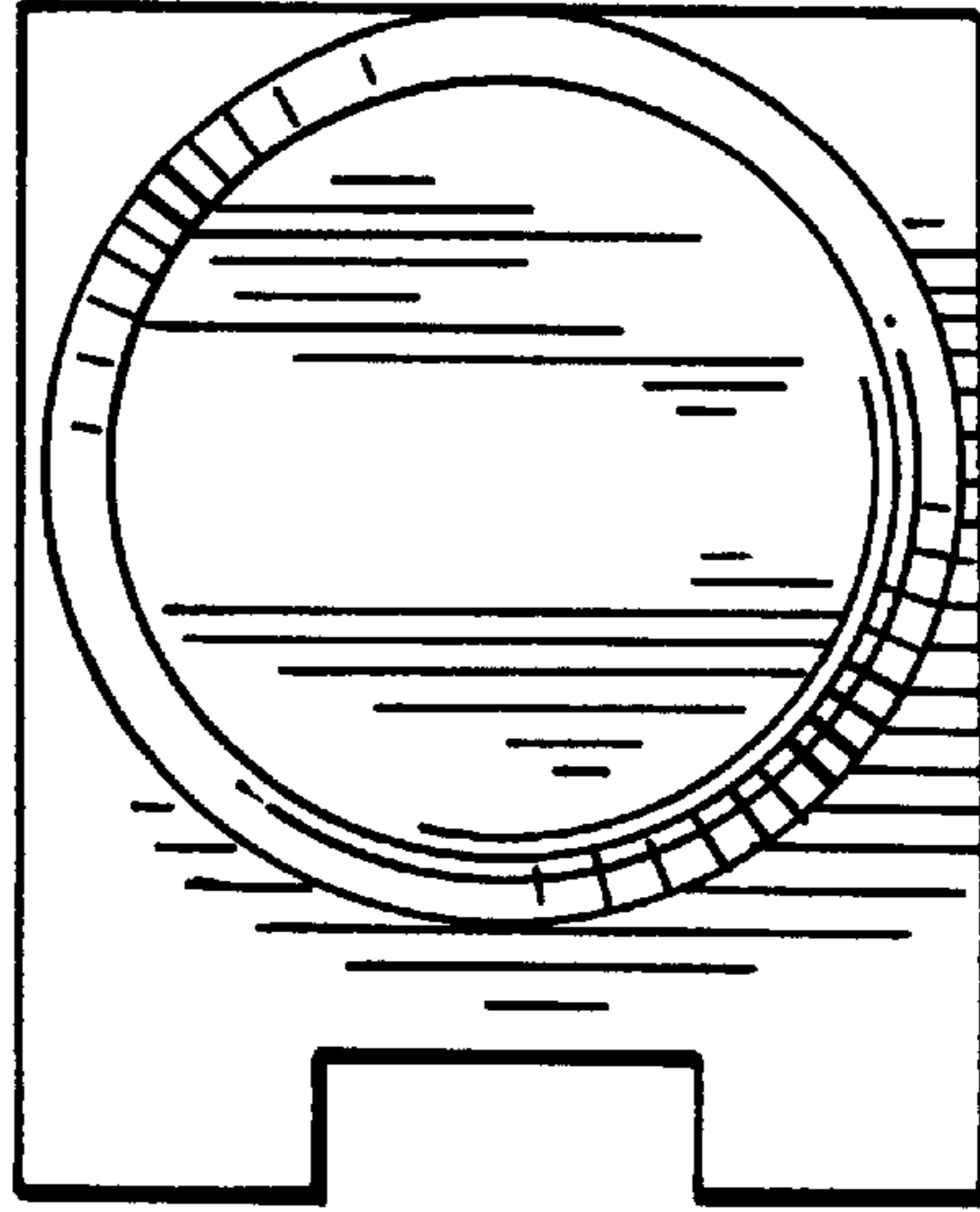


FIG. 6.

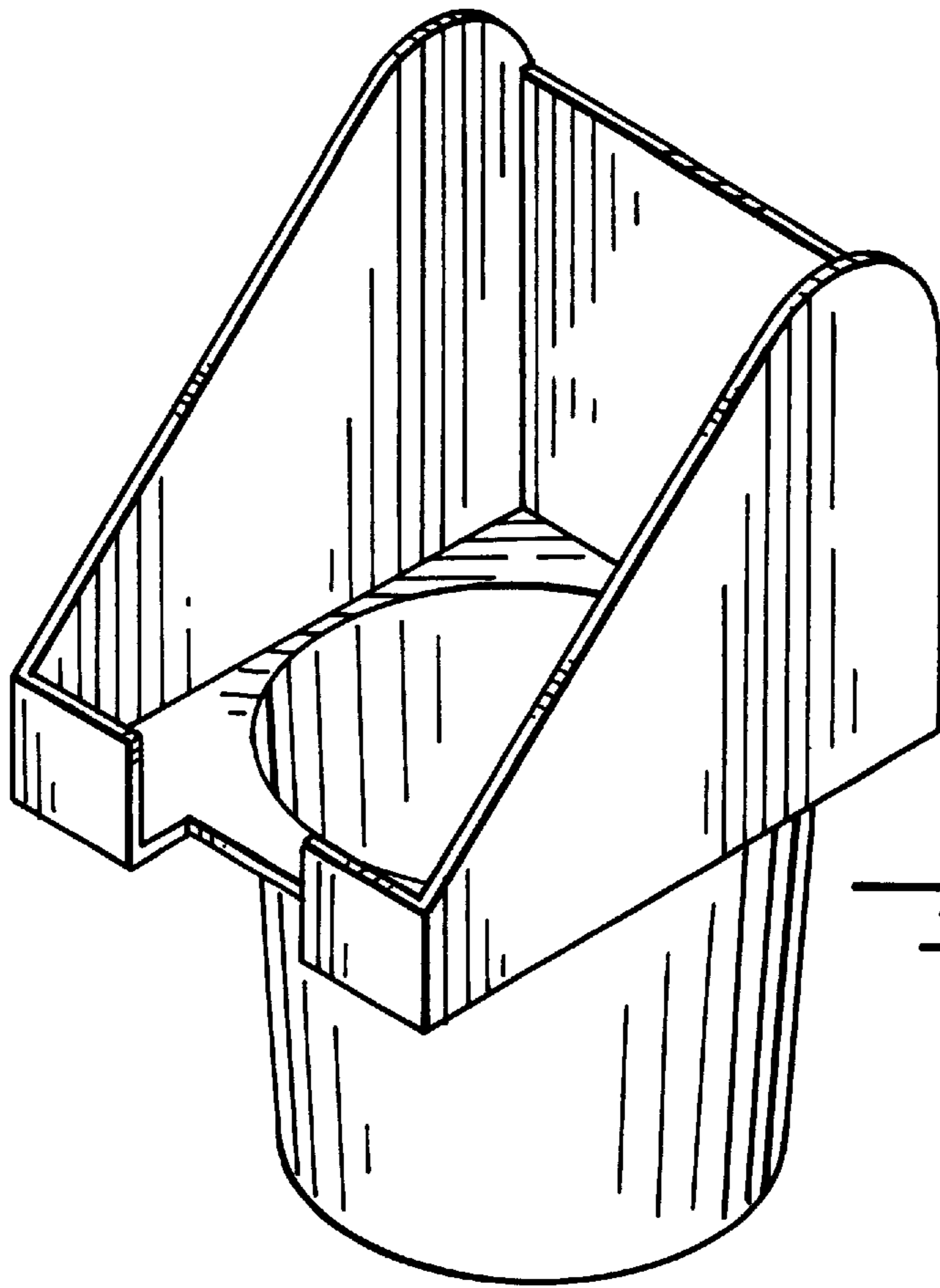


FIG. 7.

FIG. 8.

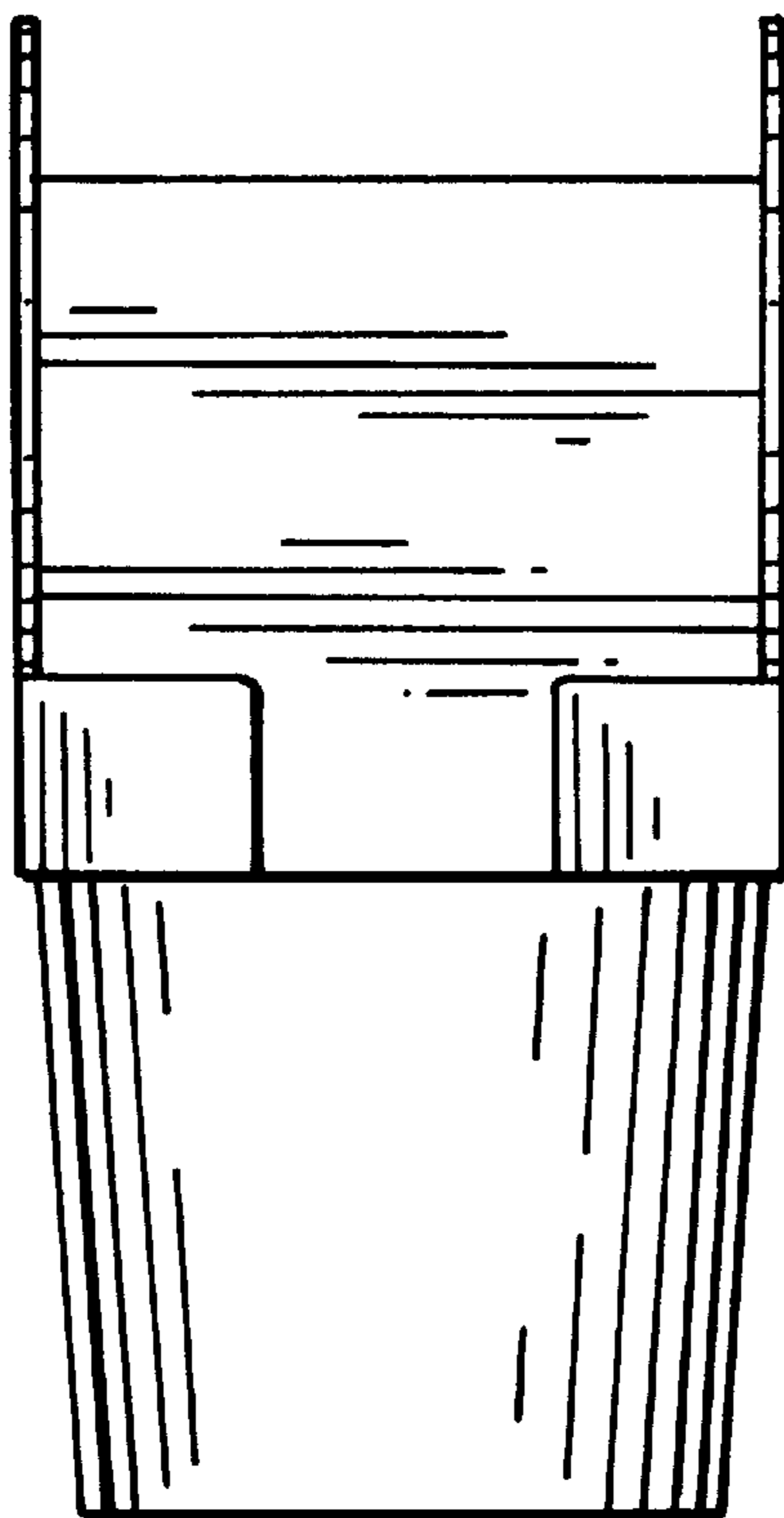
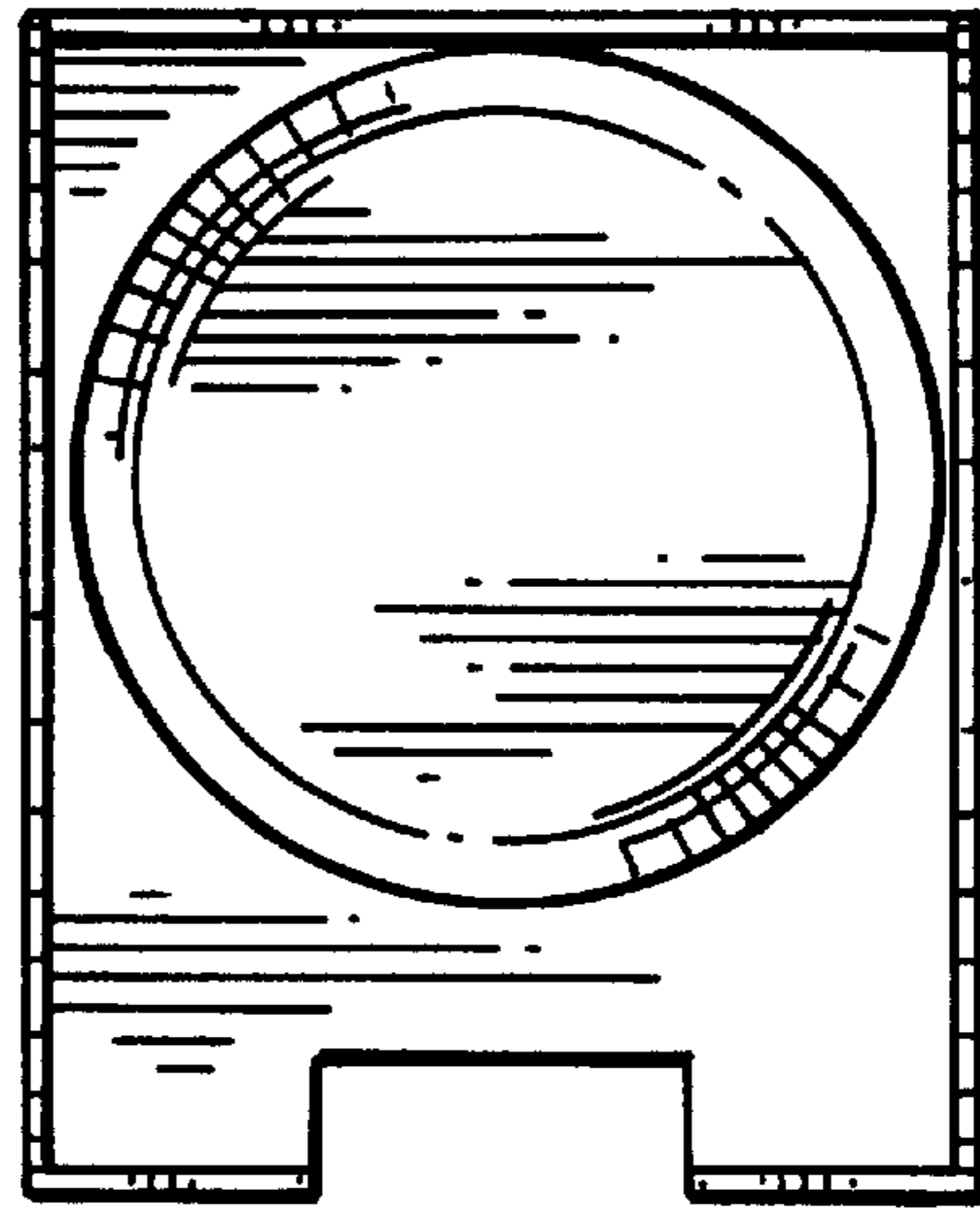


FIG. 9.

UNITED STATES PATENT AND TRADEMARK OFFICE
CERTIFICATE OF CORRECTION

PATENT NO. : Des. 402,666
DATED : December 15, 1998
INVENTOR(S) : Golder

It is certified that error appears in the above-identified patent and that said Letters Patent is hereby corrected as shown below:

In the Description of the Drawings, following the last line, insert a new paragraph:

--The bottom plan view of the second embodiment is identical to that shown in Fig. 5 and the rear elevational view of the second embodiment is substantially identical to that shown in Fig. 6.--.

Signed and Sealed this
Fifteenth Day of June, 1999

Attest:



Q. TODD DICKINSON

Attesting Officer

Acting Commissioner of Patents and Trademarks