



US00D402665S

United States Patent [19] Belgrove

[11] **Patent Number: Des. 402,665**

[45] **Date of Patent: **Dec. 15, 1998**

[54] **DISPOSABLE TELEPHONE EARPIECE AND MOUTHPIECE COVER**

[76] Inventor: **Angela L. Belgrove**, 518 Maple St., Brooklyn, N.Y. 11225

[**] Term: **14 Years**

[21] Appl. No.: **78,146**

[22] Filed: **Oct. 22, 1997**

[51] **LOC (6) Cl. 14-03**

[52] **U.S. Cl. D14/250**

[58] **Field of Search** D14/140, 142, D14/250, 240; D3/218; D6/610; 379/419, 447, 451, 452, 437, 439, 440, 433; 455/90

[56] **References Cited**

U.S. PATENT DOCUMENTS

D. 211,355	6/1968	Farnham et al.	D14/250
D. 214,322	6/1969	Velasquez	D14/250
D. 300,629	4/1989	Martens	D14/250
D. 302,016	7/1989	Williams, Jr.	D14/250
D. 309,737	8/1990	Gohlke	379/439 X
D. 329,241	9/1992	Carlson	D14/253 X
D. 371,136	6/1996	Horowitz	D14/250

4,582,966	4/1986	Sutton et al.	379/452
4,819,265	4/1989	Colella	379/452
5,012,513	4/1991	Dale et al.	379/451
5,123,044	6/1992	Tate	379/452 X

Primary Examiner—Jeffrey Asch

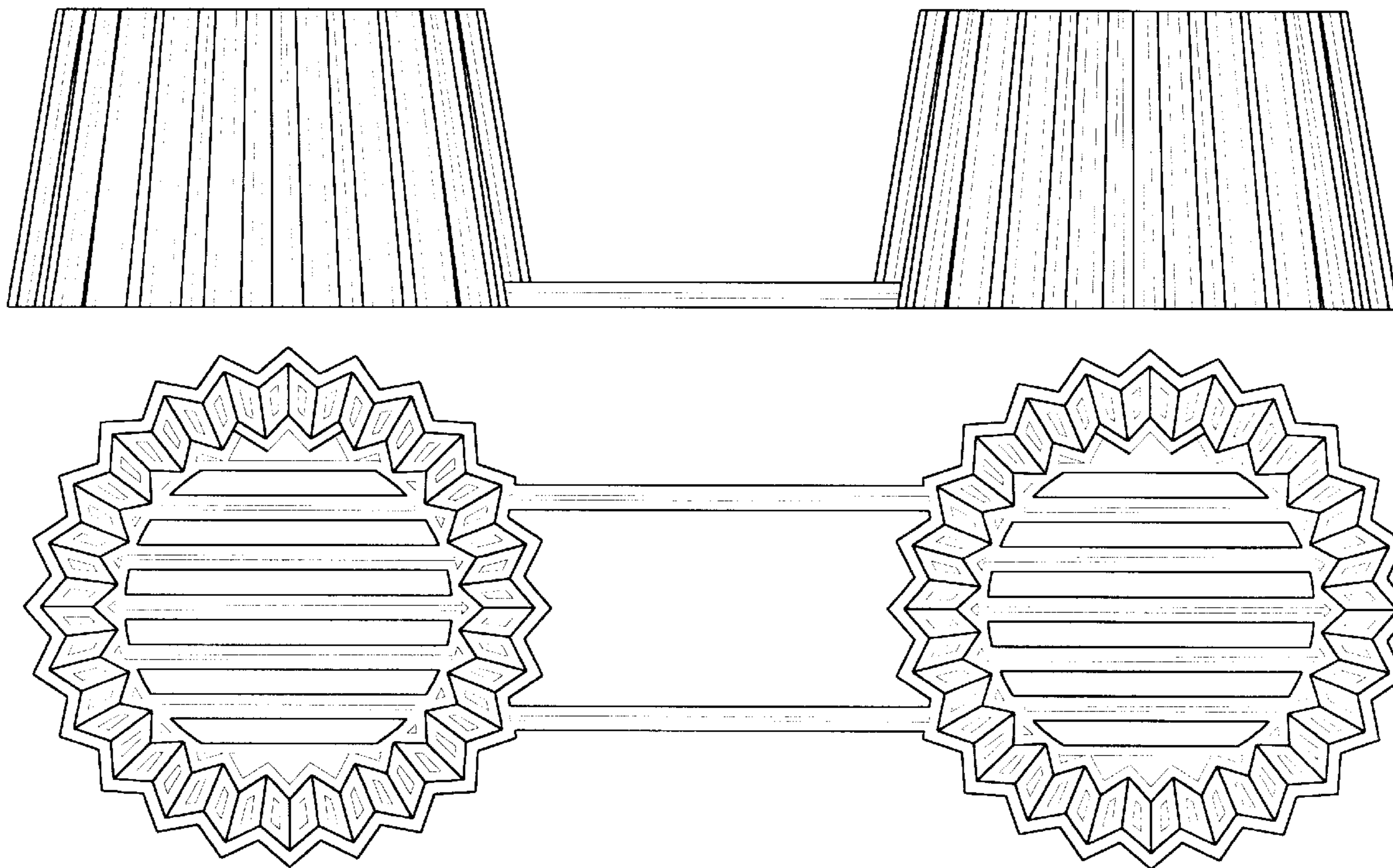
[57] **CLAIM**

The ornamental design for a disposable telephone earpiece and mouthpiece cover, as shown.

DESCRIPTION

FIG. 1 is a front elevational view of the disposable telephone earpiece and mouthpiece cover of the present invention; FIG. 2 is a back elevational view of the disposable telephone earpiece and mouthpiece cover of FIG. 1; FIG. 3 is a left side elevational view of the disposable telephone earpiece and mouthpiece cover of FIG. 1; FIG. 4 is a right side elevational view of the disposable telephone earpiece and mouthpiece cover of FIG. 1; FIG. 5 is a top plan view of the disposable telephone earpiece and mouthpiece cover of FIG. 1; and, FIG. 6 is a bottom plan view of the disposable telephone earpiece and mouthpiece cover of FIG. 1.

1 Claim, 3 Drawing Sheets



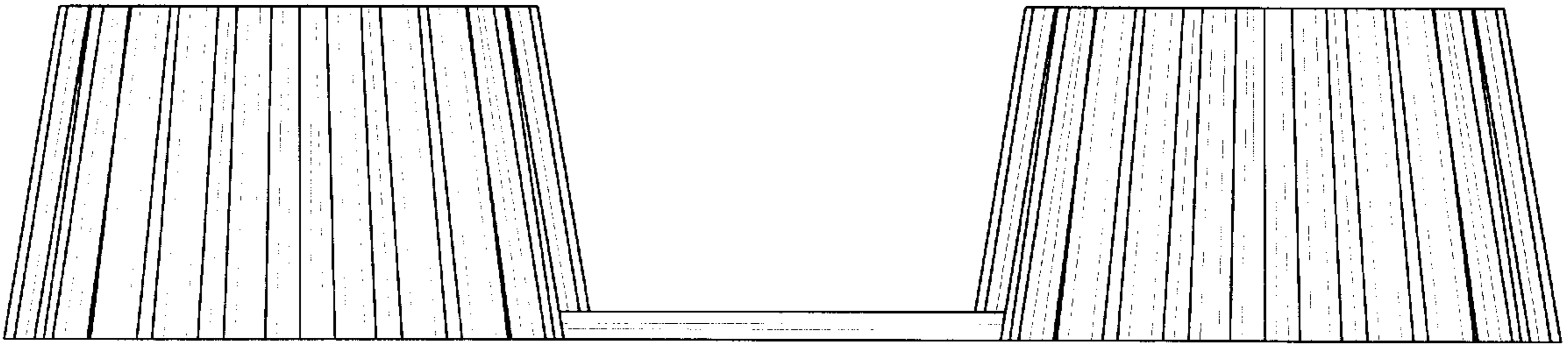


Fig. 1

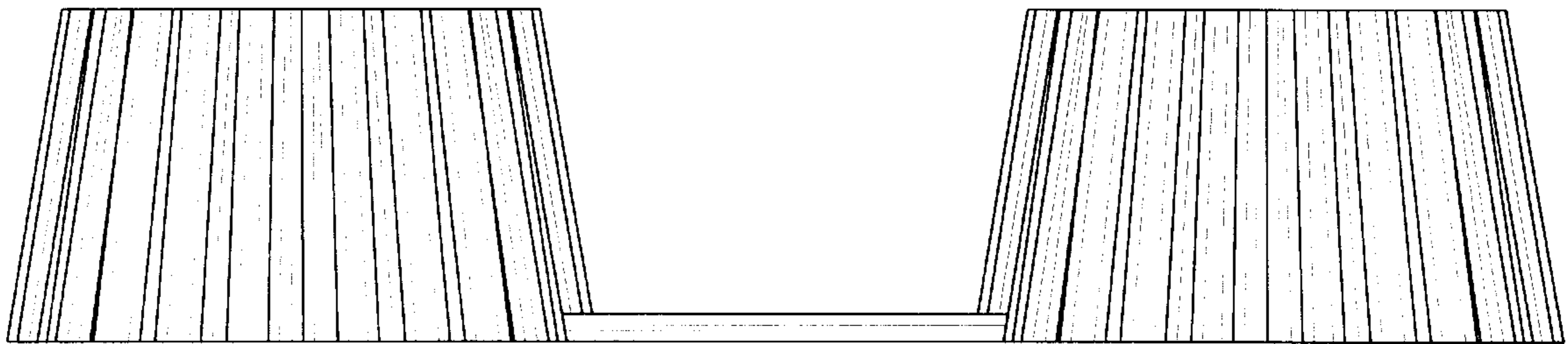


Fig. 2



Fig. 3



Fig. 4

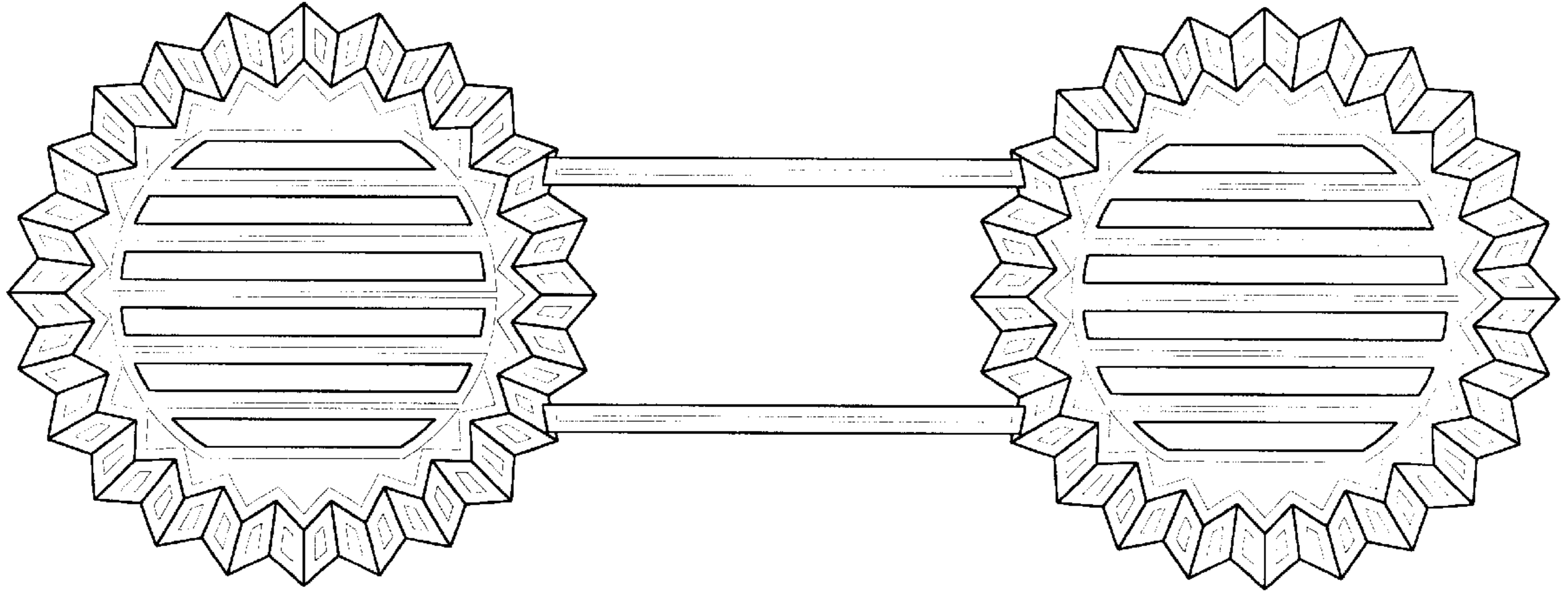


Fig. 5

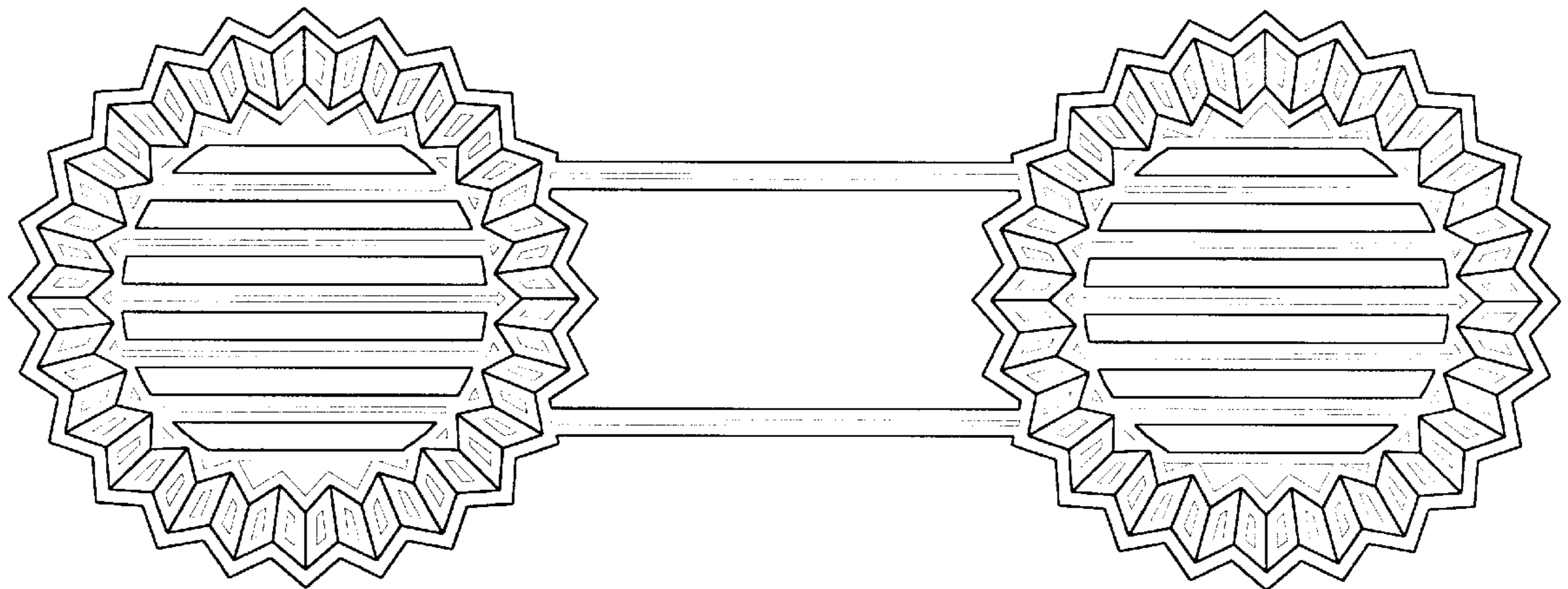


Fig. 6