



US00D402662S

# United States Patent [19]

Low et al.

[11] **Patent Number: Des. 402,662**

[45] **Date of Patent: \*\*Dec. 15, 1998**

[54] **ANTENNA MODULE FOR PCMCIA UHF WIRELESS MODEMS**

[75] Inventors: **Poh Choon Low**, Richmond, Canada; **Kenneth Warren Larson**, Elmhurst, Ill.; **William R. Groves**, Naperville, Ill.; **Roger W. Ady**, Chicago, Ill.; **Gregory David Renwick**, Vancouver, Canada; **Martin Trettenbach**, Arlington Heights, Ill.

[73] Assignee: **Motorola, Inc.**, Schaumburg, Ill.

[\*\*] Term: **14 Years**

[21] Appl. No.: **72,001**

[22] Filed: **Jun. 11, 1997**

[51] **LOC (6) Cl. .... 14-03**

[52] **U.S. Cl. .... D14/238**

[58] **Field of Search** ..... D14/230-238, D14/299; 343/700 R, 701-702, 761, 840-841, 850, 857-858, 860, 872-875, 878, 906-908, 888-890, 892, 896, 898-901, 912, 914

[56] **References Cited**

**U.S. PATENT DOCUMENTS**

D. 259,115 5/1981 Steinhofner et al. .... D14/86

D. 371,370 7/1996 Fenton et al. .... D14/238  
D. 371,560 7/1996 Fenton et al. .... D14/230  
D. 377,177 1/1997 Heine et al. .... D14/230  
3,349,405 10/1967 Wright ..... 343/372  
5,646,635 7/1997 Cockson et al. .... 343/702

*Primary Examiner*—Ruth McInroy  
*Attorney, Agent, or Firm*—Pedro P. Hernandez

[57] **CLAIM**

The ornamental design for an antenna module for PCMCIA UHF wireless modems, as shown and described.

**DESCRIPTION**

FIG. 1 is a front, top and right isometric view of an antenna module for PCMCIA UHF wireless modems showing our new design;

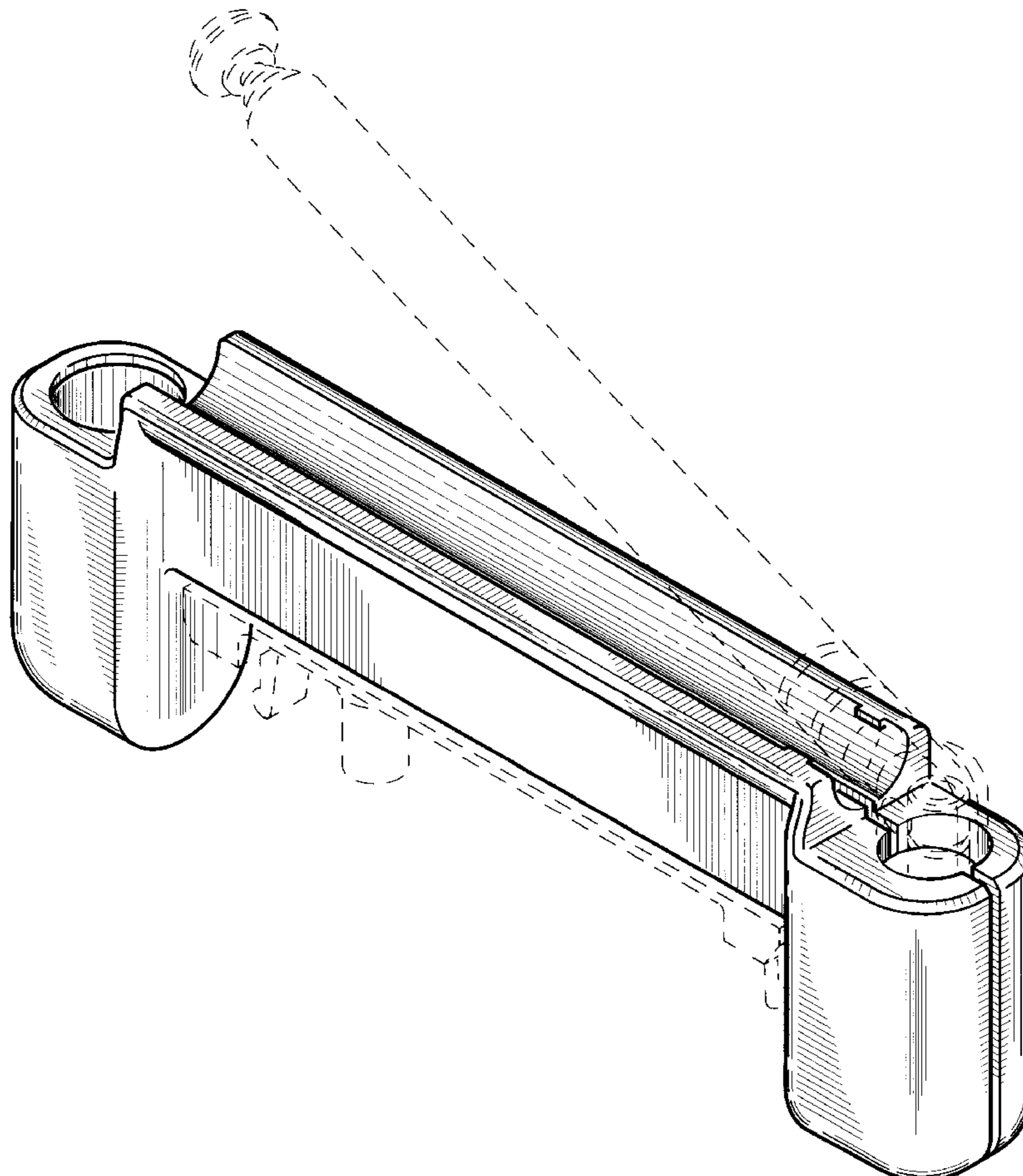
FIG. 2 is a rear elevational view thereof;

FIG. 3 is a left side elevational view thereof; and,

FIG. 4 is a bottom plan view thereof.

The broken lines in all views are for illustrative purposes only and form no part of the claimed design.

**1 Claim, 2 Drawing Sheets**



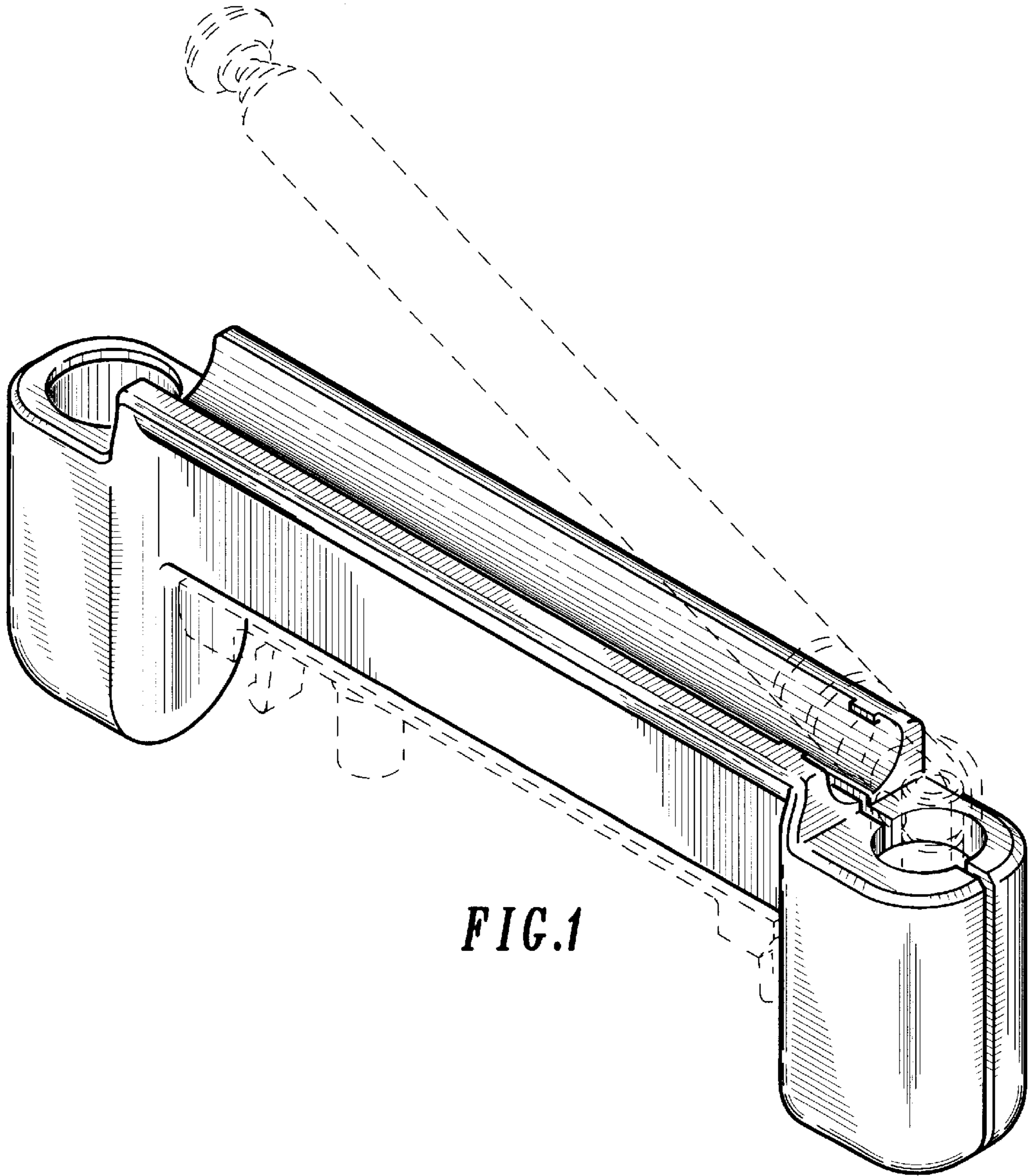


FIG. 1

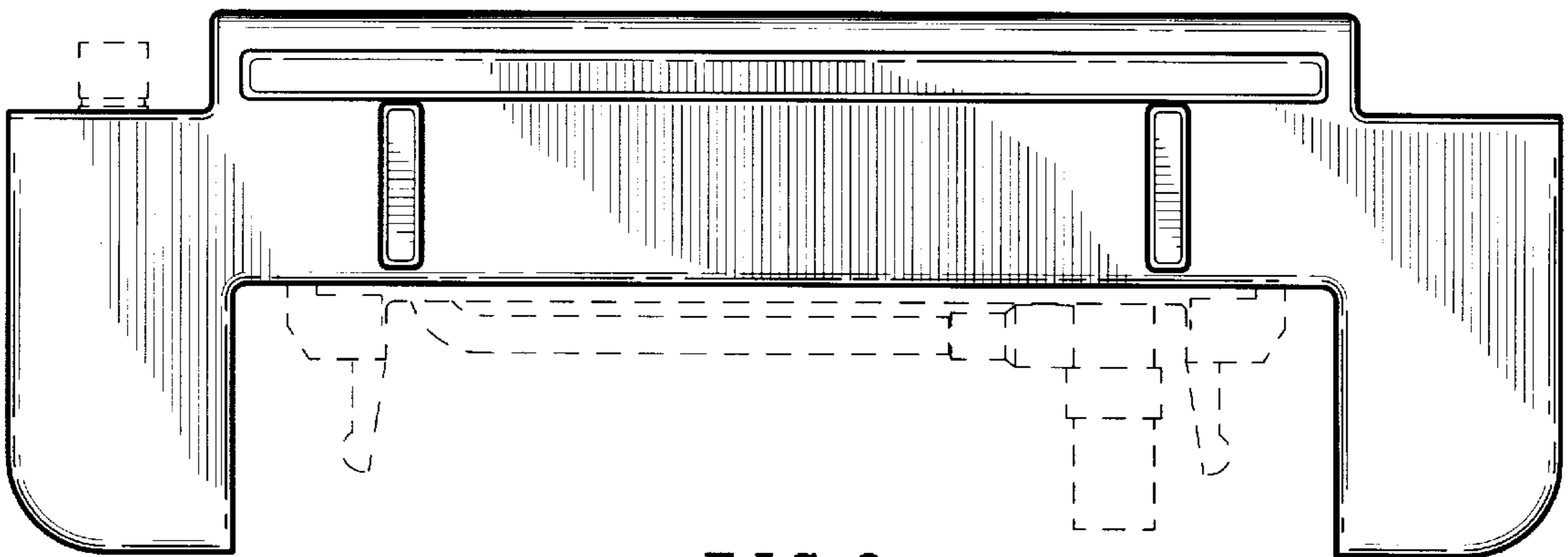
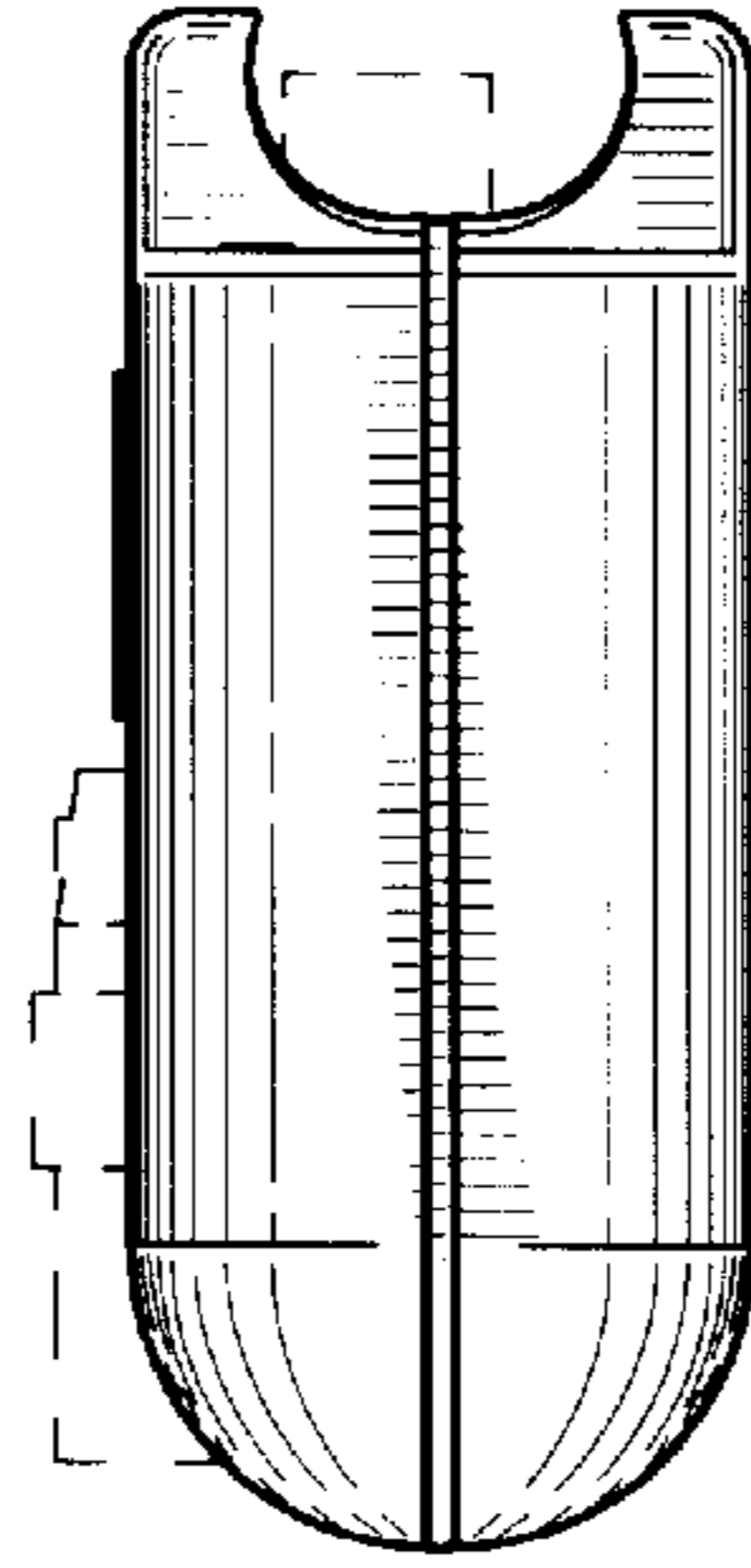
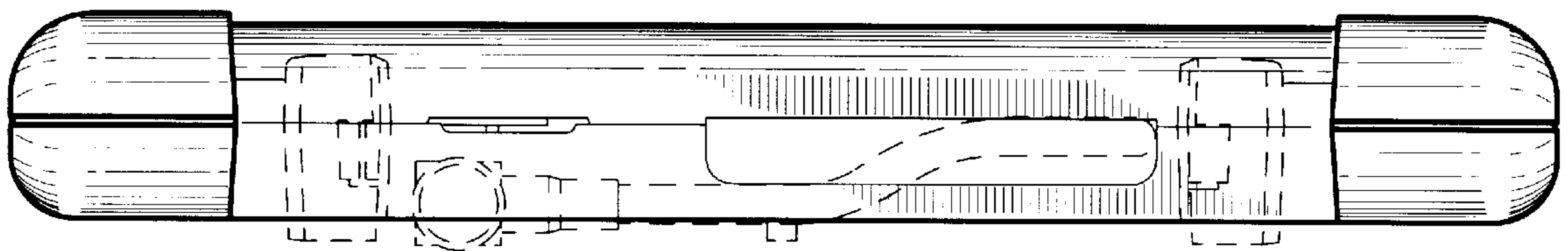


FIG. 2



**FIG. 3**



**FIG. 4**