



US00D402657S

# United States Patent [19] Renk

[11] **Patent Number: Des. 402,657**

[45] **Date of Patent: \*\*Dec. 15, 1998**

[54] **SPEAKER**

D. 359,050 6/1995 Deguchi ..... D14/210  
D. 382,877 8/1997 Cheng ..... D14/214

[75] Inventor: **Thomas Edward Renk**, Indianapolis, Ind.

*Primary Examiner*—Terry A. Wallace

*Assistant Examiner*—Nanda Bondade

[73] Assignee: **Thomson Consumer Electronics, Inc.**, Indianapolis, Ind.

*Attorney, Agent, or Firm*—Woodard, Emhardt, Naughton Moriarty & McNett

[\*\*] Term: **14 Years**

### [57] CLAIM

[21] Appl. No.: **84,547**

The ornamental design for a speaker, as shown and described.

[22] Filed: **Mar. 5, 1998**

### DESCRIPTION

[51] **LOC (6) Cl.** ..... **14-01**

FIG. 1 is a front elevational view of a speaker showing my new design;

[52] **U.S. Cl.** ..... **D14/214**

FIG. 2 is a rear elevational view thereof;

[58] **Field of Search** ..... D14/204, 209–216;  
181/144, 145, 150, 153, 157, 198, 199;  
381/124, 87–90, 159, 186, 188

FIG. 3 is a right side elevational view thereof, the left side elevational view being a mirror image of the right side elevational view;

[56] **References Cited**

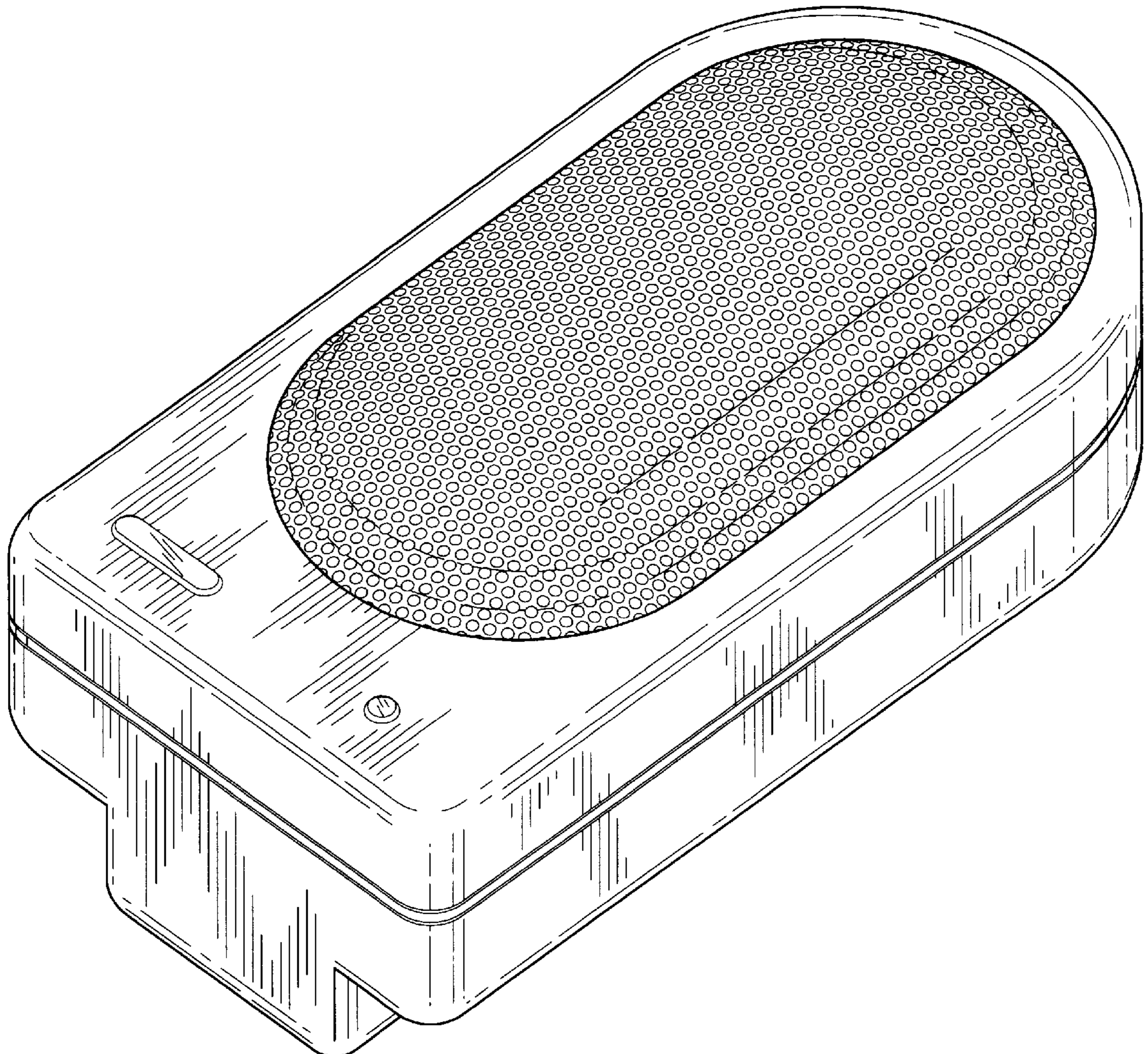
FIG. 4 is a top plan view thereof; and,

#### U.S. PATENT DOCUMENTS

FIG. 5 is a front, right, and bottom perspective view thereof.

D. 334,386 3/1993 Yamazaki ..... D14/210

**1 Claim, 5 Drawing Sheets**



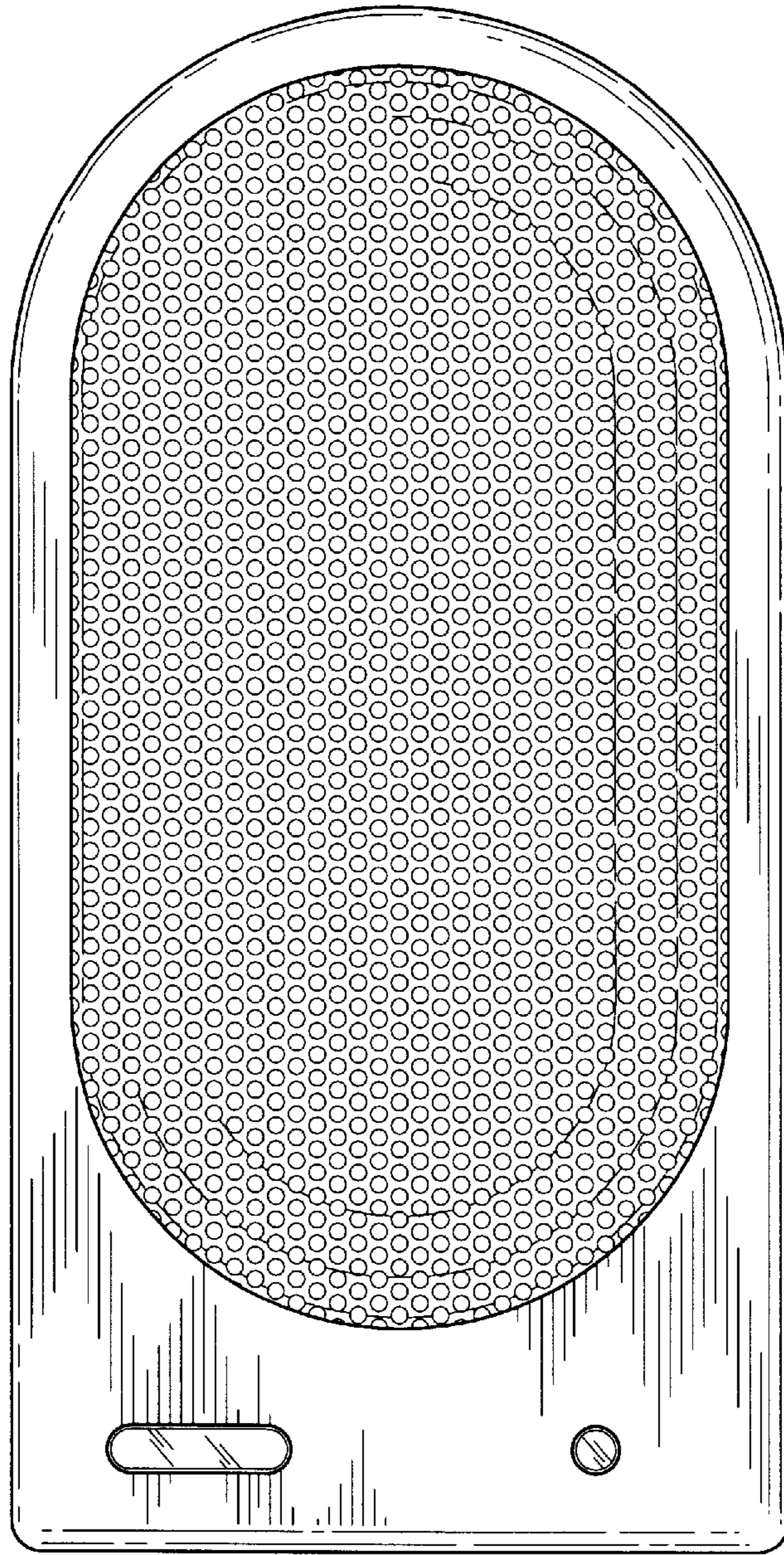


Fig. 1

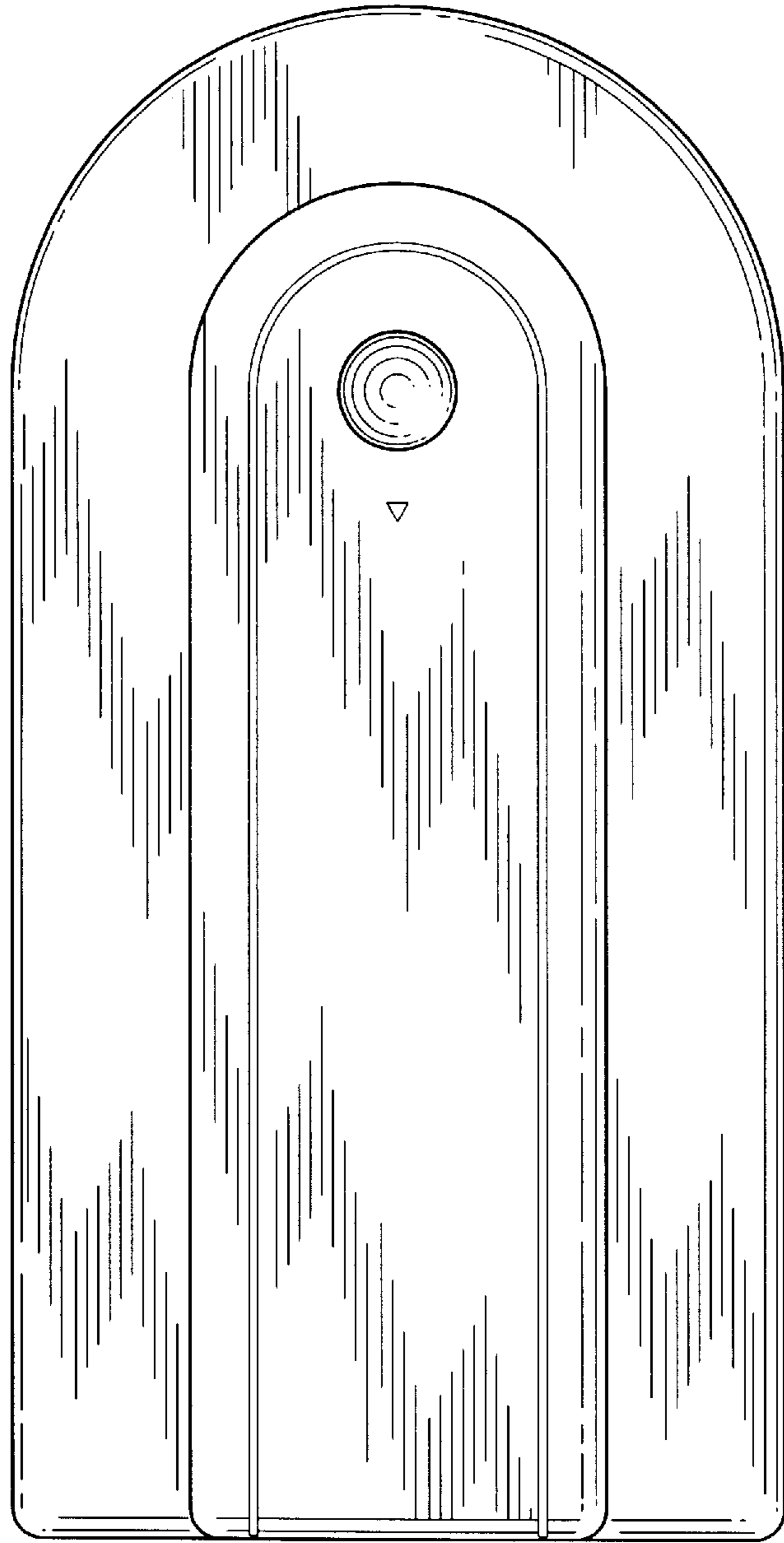


Fig. 2

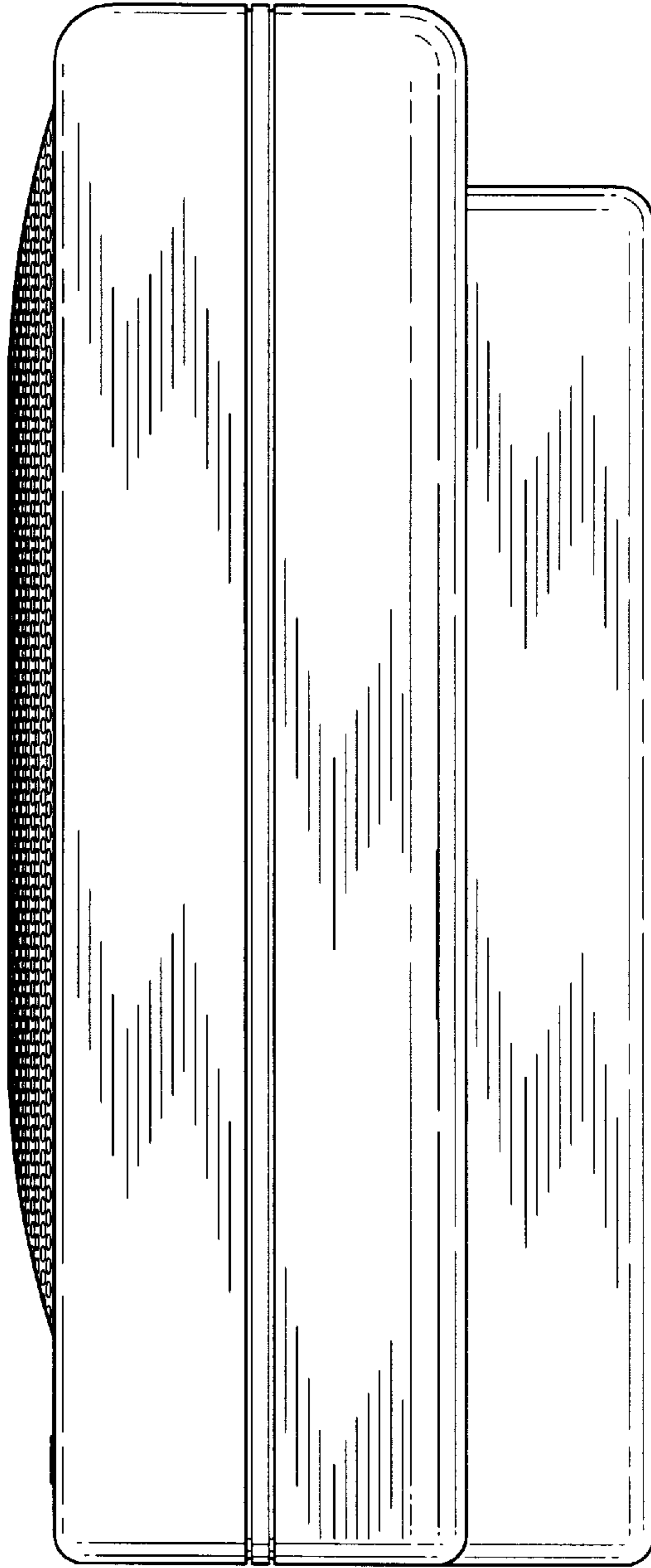


Fig. 3

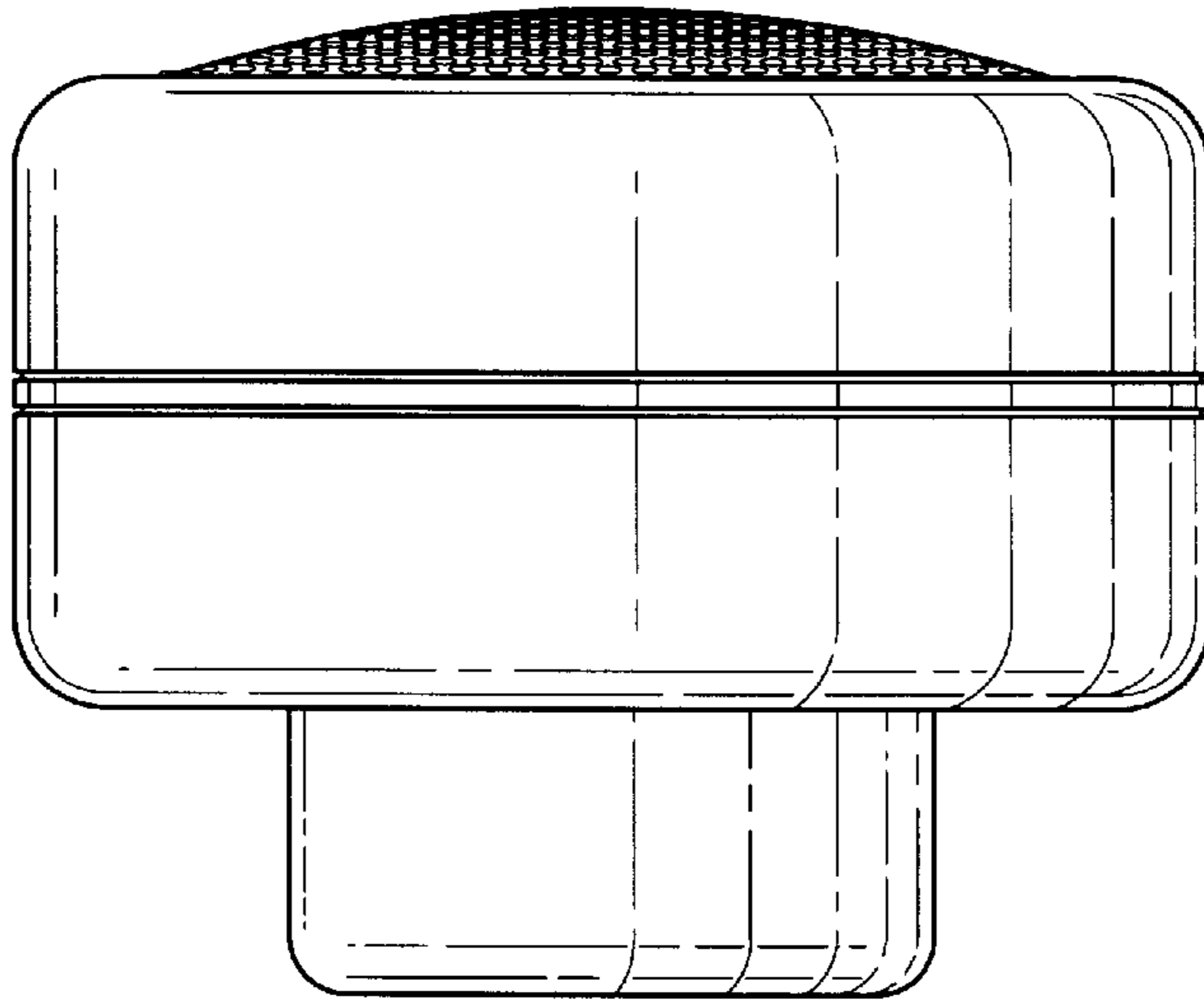


Fig. 4

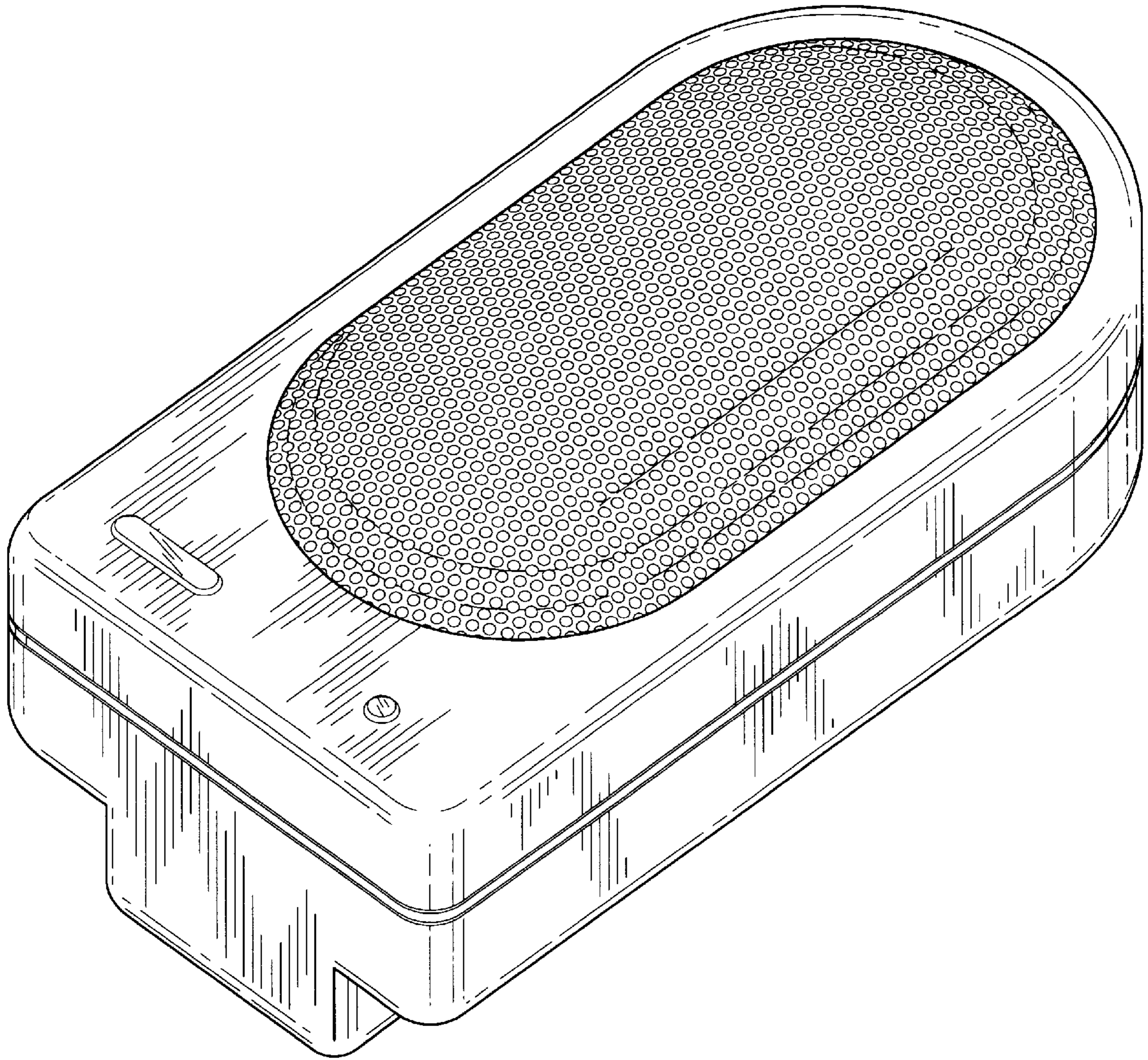


Fig. 5