



US00D402654S

United States Patent [19] Consolo

[11] Patent Number: Des. 402,654

[45] Date of Patent: **Dec. 15, 1998

[54] PORTABLE TELEPHONE APPARATUS

[76] Inventor: **Giovanni Battista Consolo**, Località Vico 87056 S. Stefano di Rogliano (Cosenza), Italy

[**] Term: **14 Years**

[21] Appl. No.: **83,251**

[22] Filed: **Feb. 6, 1998**

[51] LOC (6) Cl. **14-03**

[52] U.S. Cl. **D14/144; D10/2; D10/31; D14/142**

[58] Field of Search D14/140, 142, D14/144, 138, 137, 147, 148, 155; D10/31, 32, 15, 2; 379/419, 420, 428, 440, 430, 433, 434; 455/90, 550-575; 368/13

[56] **References Cited**

U.S. PATENT DOCUMENTS

| | | | | |
|------------|--------|-----------------|-------|-----------|
| D. 210,462 | 3/1968 | Roberts | | D14/155 |
| D. 279,671 | 7/1985 | Beaumont | | D14/241 |
| D. 284,948 | 8/1986 | Ogawa | | D10/31 X |
| D. 310,523 | 9/1990 | Hino et al. | | D14/137 |
| D. 318,050 | 7/1991 | Elbaz et al. | | D14/138 |
| D. 358,553 | 5/1995 | Murakami et al. | | D10/31 |
| D. 381,653 | 7/1997 | Voroba et al. | | D14/138 |
| 4,847,818 | 7/1989 | Olsen | | D14/148 X |

| | | | | |
|-----------|---------|---------------|-------|-----------|
| 5,008,864 | 4/1991 | Yoshitake | | 368/13 |
| 5,050,138 | 9/1991 | Yamada et al. | | 368/13 |
| 5,218,577 | 6/1993 | Seager | | 379/430 X |
| 5,224,076 | 6/1993 | Thorp | | 379/433 X |
| 5,235,560 | 8/1993 | Seager | | 368/13 X |
| 5,239,521 | 8/1993 | Blonder | | 368/13 X |
| 5,251,189 | 10/1993 | Thorp | | 379/430 X |
| 5,274,613 | 12/1993 | Seager | | 379/434 X |
| 5,467,342 | 11/1995 | Houlihan | | 368/13 X |
| 5,499,292 | 3/1996 | Blonder | | 379/433 |
| 5,564,082 | 10/1996 | Blonder | | 455/90 |
| 5,659,611 | 8/1997 | Saksa | | 379/433 |

Primary Examiner—Jeffrey Asch
Attorney, Agent, or Firm—Hedman, Gibson & Costigan

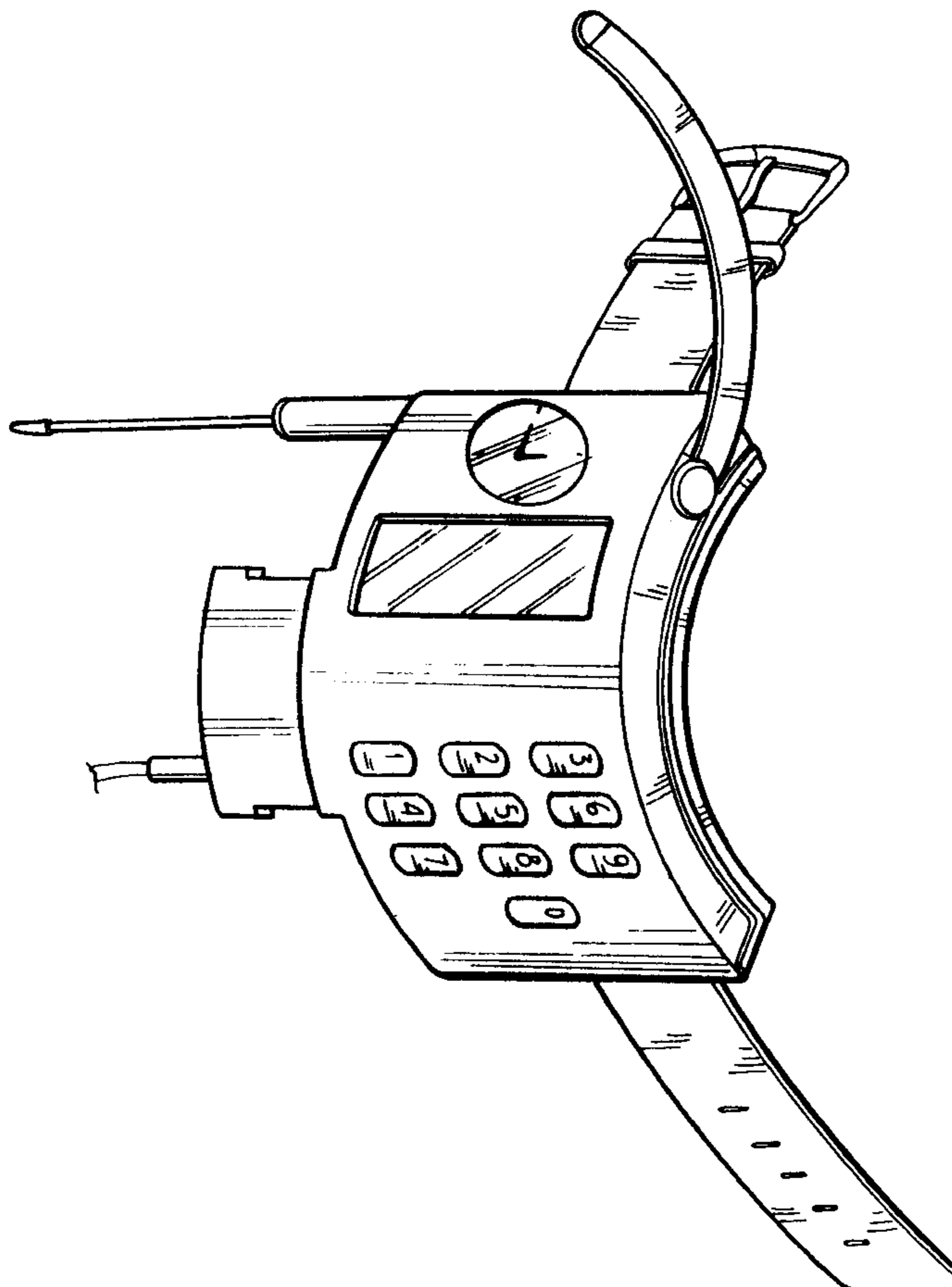
[57] **CLAIM**

The ornamental design for a portable telephone apparatus, as shown and described.

DESCRIPTION

FIG. 1 is a front perspective view of a portable telephone apparatus, according to my design;
FIG. 2 is a front view of my design;
FIG. 3 is a back view of my design;
FIG. 4 is a right side view of my design;
FIG. 5 is a left side view of my design;
FIG. 6 is a top view of my design; and,
FIG. 7 is a bottom view of my design.

1 Claim, 5 Drawing Sheets



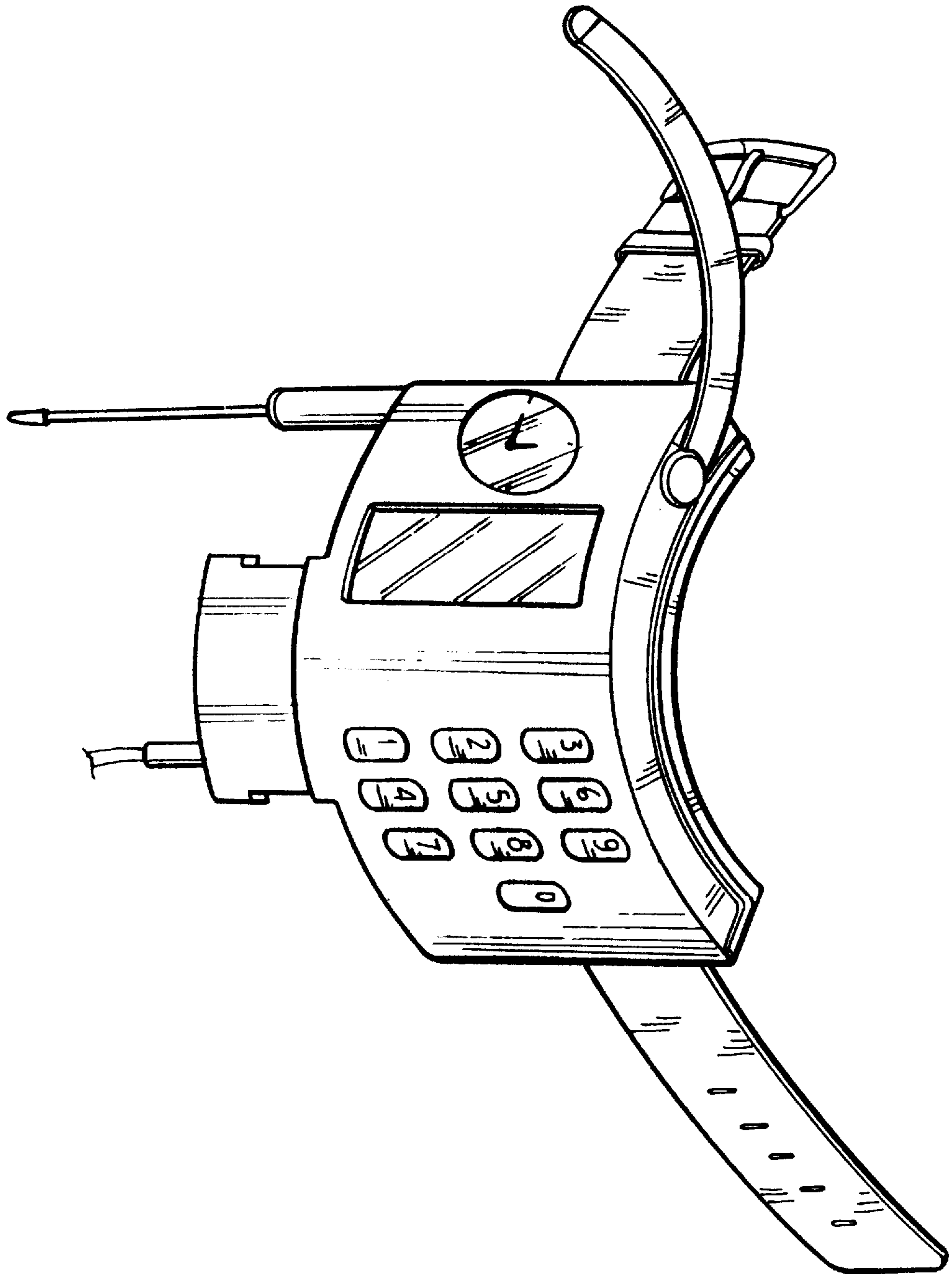


FIG. 1

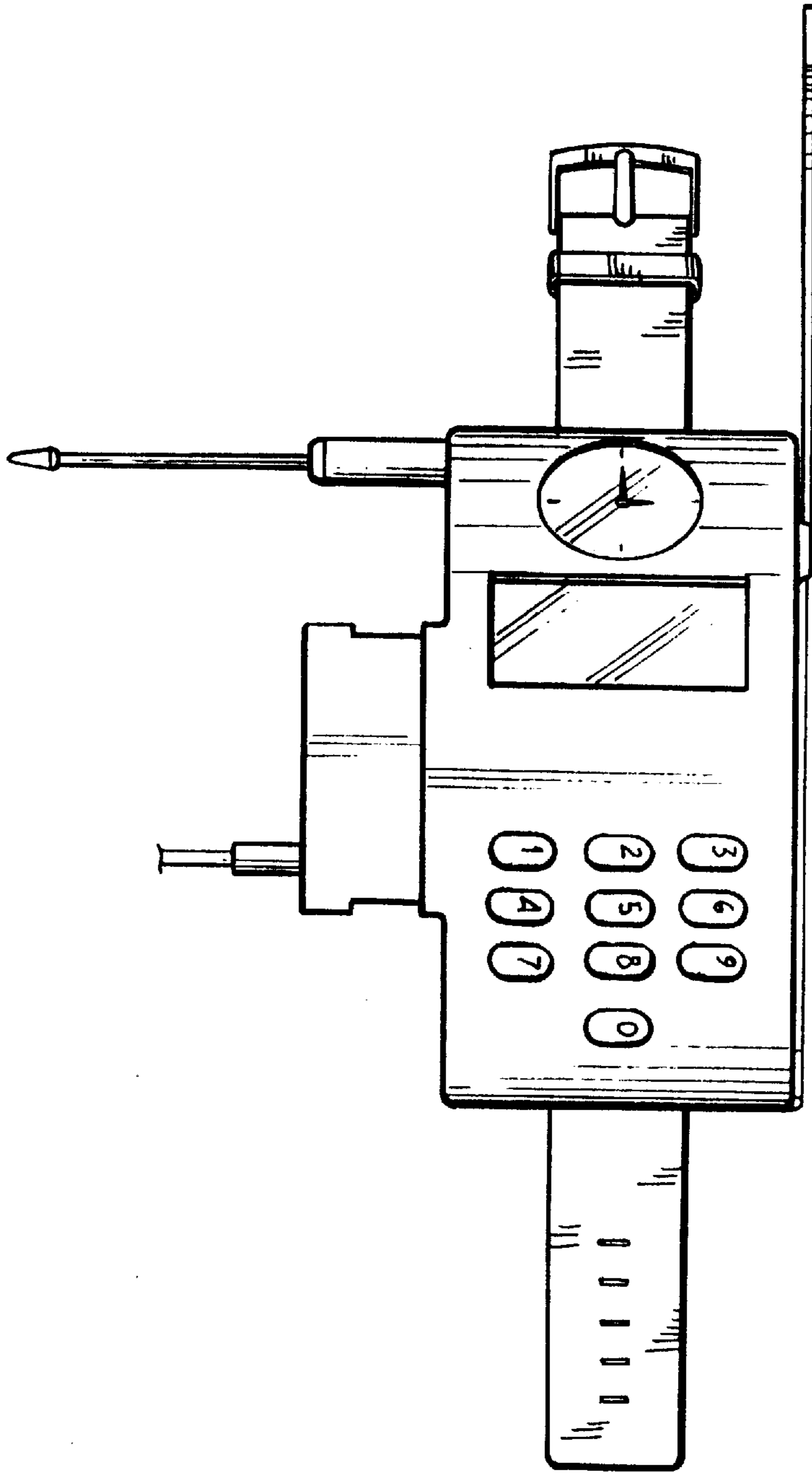


FIG. 2

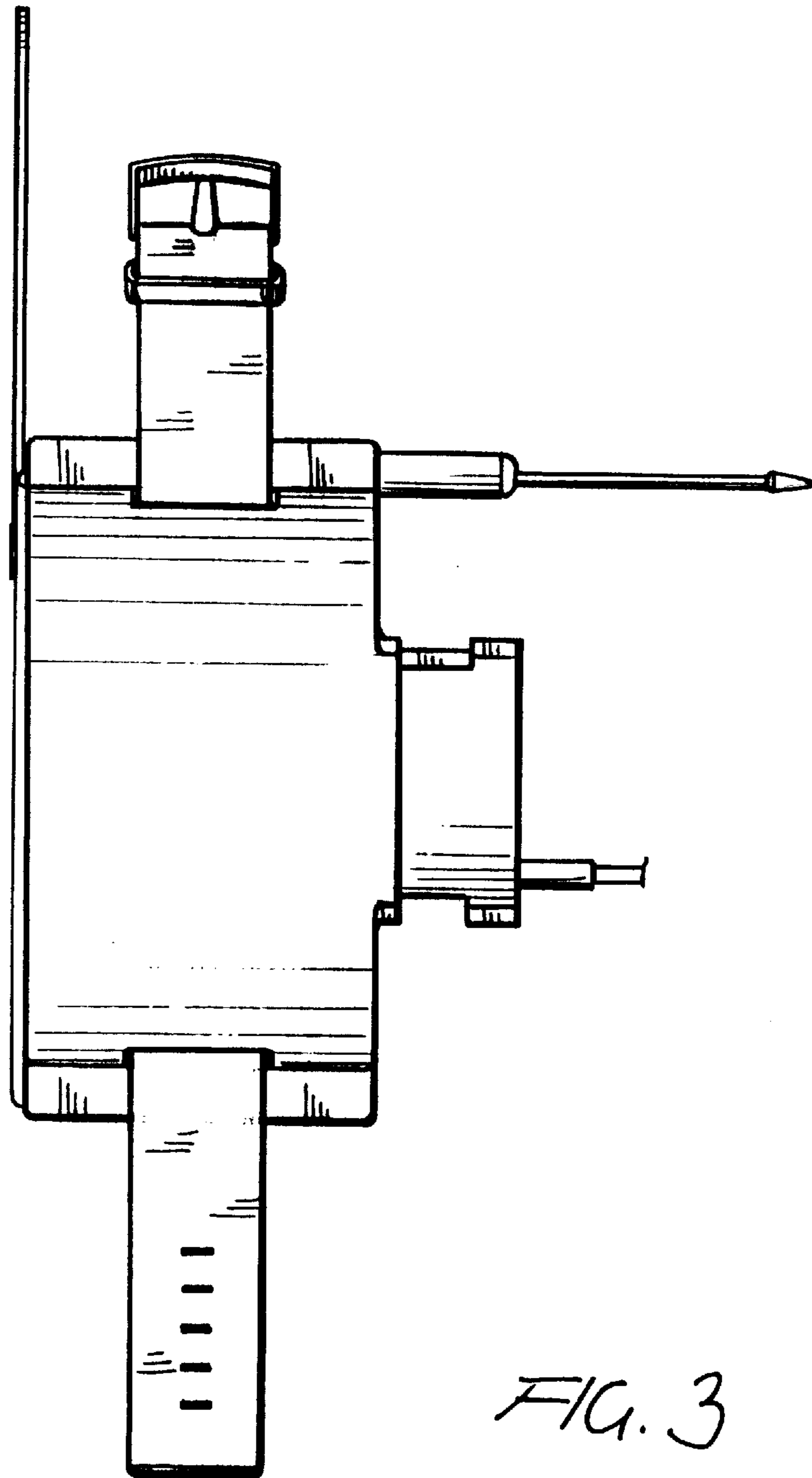


FIG. 3

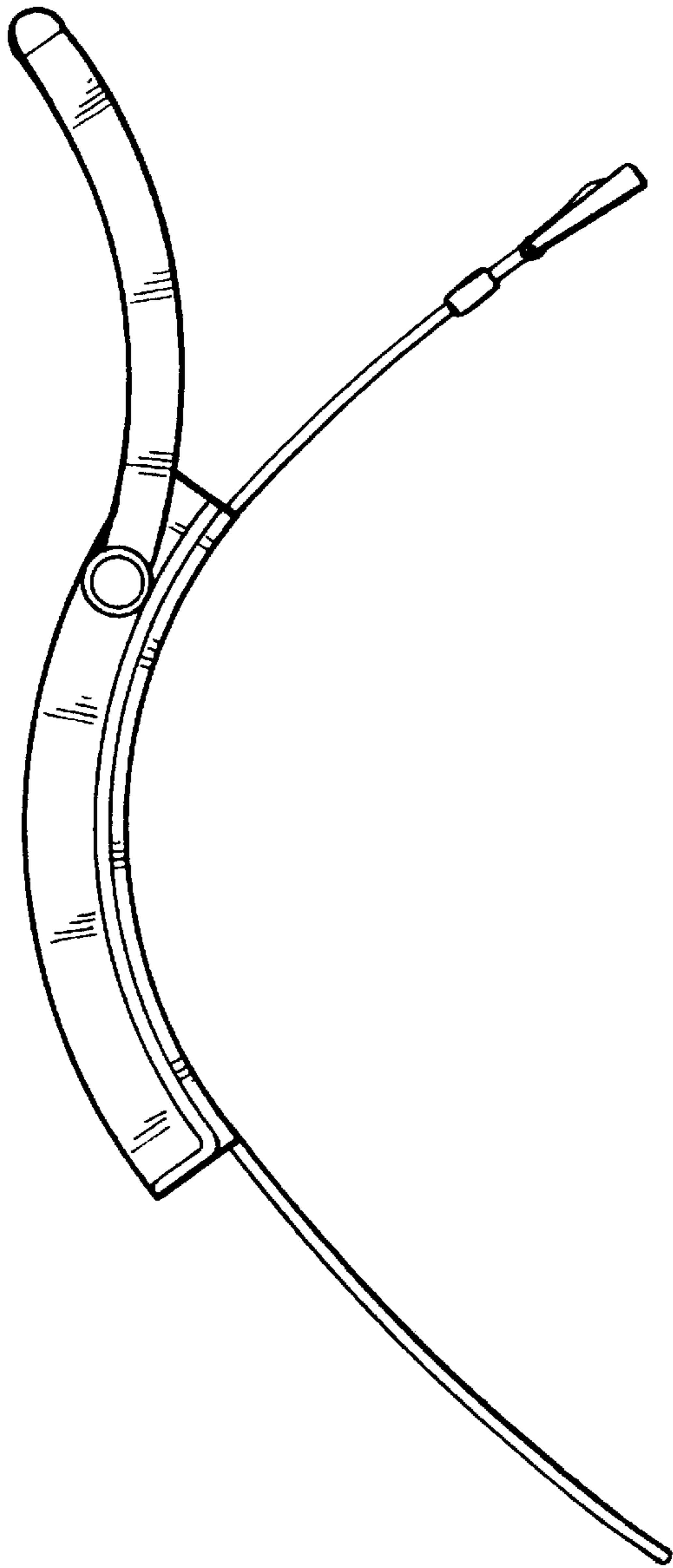


FIG. 4

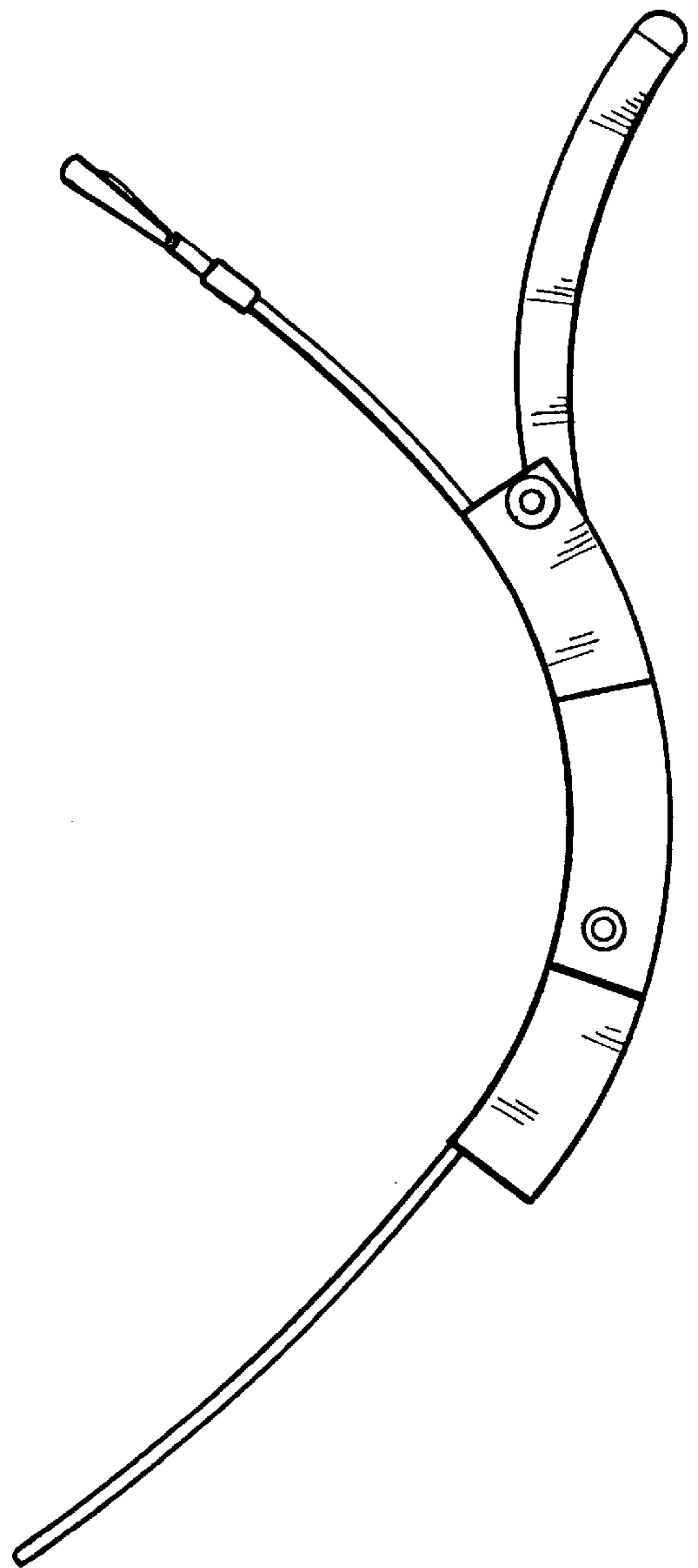


FIG. 5

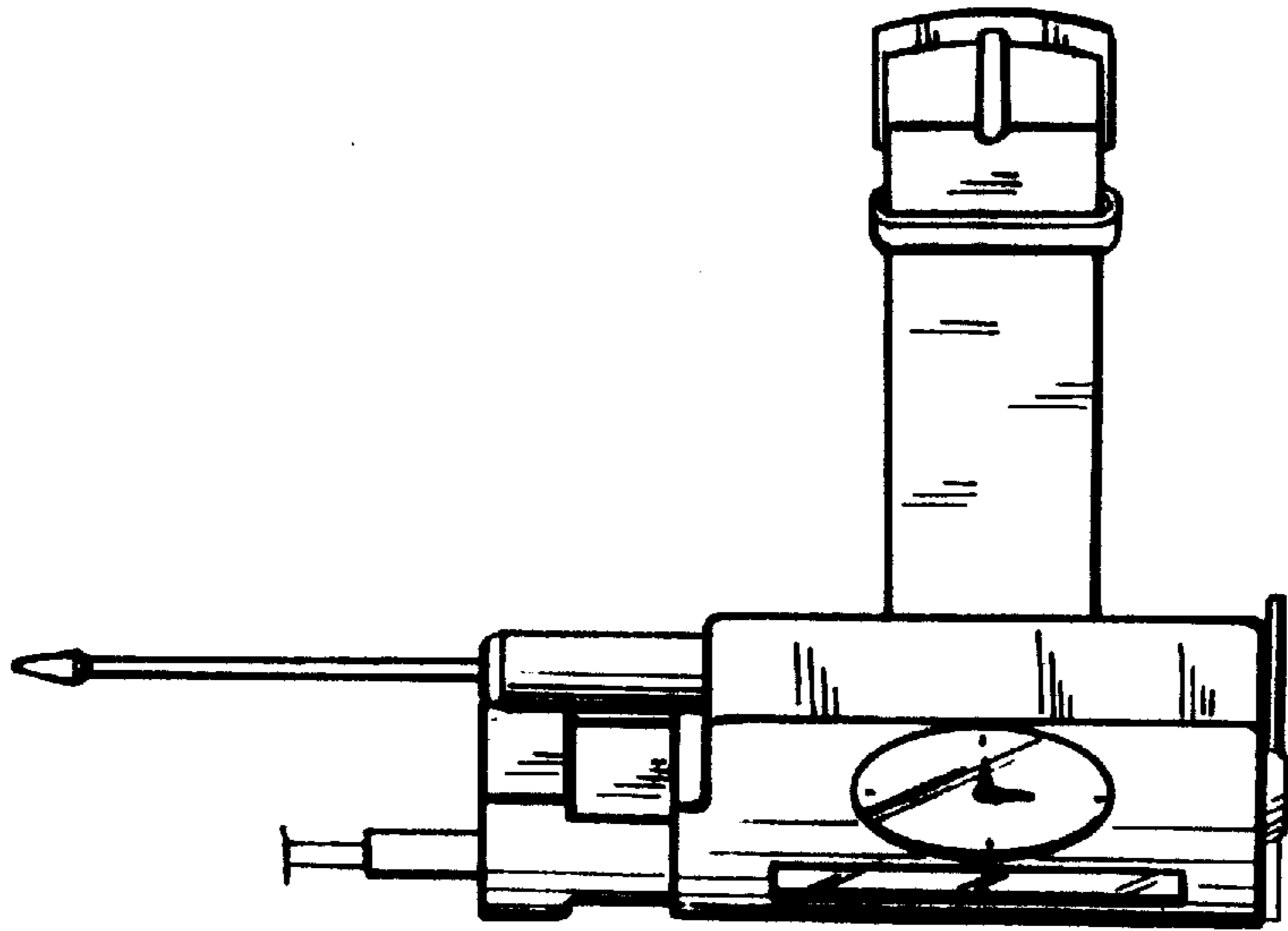


FIG. 6

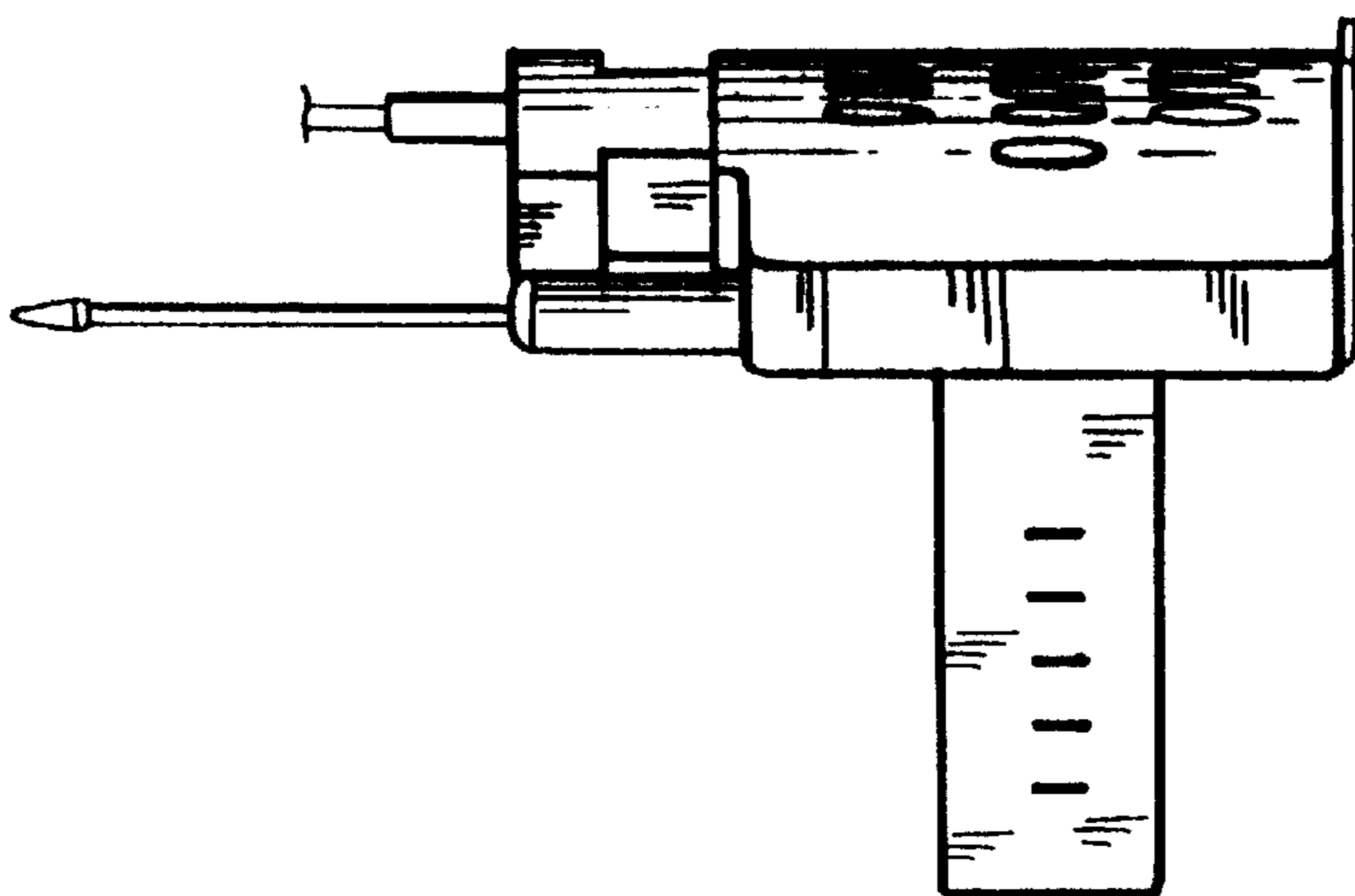


FIG. 7