



US00D402651S

# United States Patent [19]

Depay et al.

[11] **Patent Number: Des. 402,651**

[45] **Date of Patent: \*\*Dec. 15, 1998**

[54] **DISPLAY HEAD SET**

[75] Inventors: **Dean A. Depay**, San Jose; **Douglas H. Jones**, Felton; **James B. Robertson**, Aptos; **Niall D. Macken**, Santa Cruz; **Carl L. Engelbrecht**, Los Gatos; **David P. Moriconi**, Ben Lomond; **Andrew G. Austin**, Aptos, all of Calif.; **Thomas M. Murphy**, Nederland; **Mark G. Willner**, Boulder, both of Colo.

[73] Assignee: **Colorado MicroDisplay, Inc.**, Boulder, Colo.

[\*\*] Term: **14 Years**

[21] Appl. No.: **75,082**

[22] Filed: **Aug. 1, 1997**

[51] **LOC (6) Cl. .... 02-03**

[52] **U.S. Cl. .... D14/124**

[58] **Field of Search** ..... D14/124; D16/202; D21/102-107, 13, 48, 329, 330; D26/37, 38, 39; 273/148 B; 463/1, 29-46; 345/7, 8, 9, 905; 359/480, 431, 407, 443, 630; 348/58, 115, 121, 838

[56] **References Cited**

**U.S. PATENT DOCUMENTS**

D. 369,160 4/1996 Gotoh et al. .... D14/124

D. 370,909	6/1996	Oikawa et al. ....	D14/124
D. 374,002	9/1996	Bassett et al. ....	D14/124
D. 375,495	11/1996	Maclness et al. ....	D14/124
D. 375,731	11/1996	Holmes et al. ....	D14/124
D. 383,455	9/1997	Maclnnes et al. ....	D14/124
D. 390,552	2/1998	Ronzani .....	D14/124
4,737,972	4/1988	Schoolman .....	345/8 X
5,137,450	8/1992	Thomas .....	348/123 X
5,320,534	6/1994	Thomas .....	348/115 X

*Primary Examiner*—Prabhakar G. Deshmukh  
*Attorney, Agent, or Firm*—Blakely, Sokoloff, Taylor & Zafman

[57] **CLAIM**

The ornamental design for a display head-set, as shown and described.

**DESCRIPTION**

FIG. 1 is a top, front and left side perspective view of a display head-set showing our new design;  
FIG. 2 is a top, rear and right side perspective view thereof;  
FIG. 3 is a top plan view thereof;  
FIG. 4 is a right side elevational view thereof;  
FIG. 5 is a left side elevational view thereof;  
FIG. 6 is a bottom plan view thereof;  
FIG. 7 is a front elevational view thereof; and,  
FIG. 8 is a rear elevational view thereof.

**1 Claim, 4 Drawing Sheets**

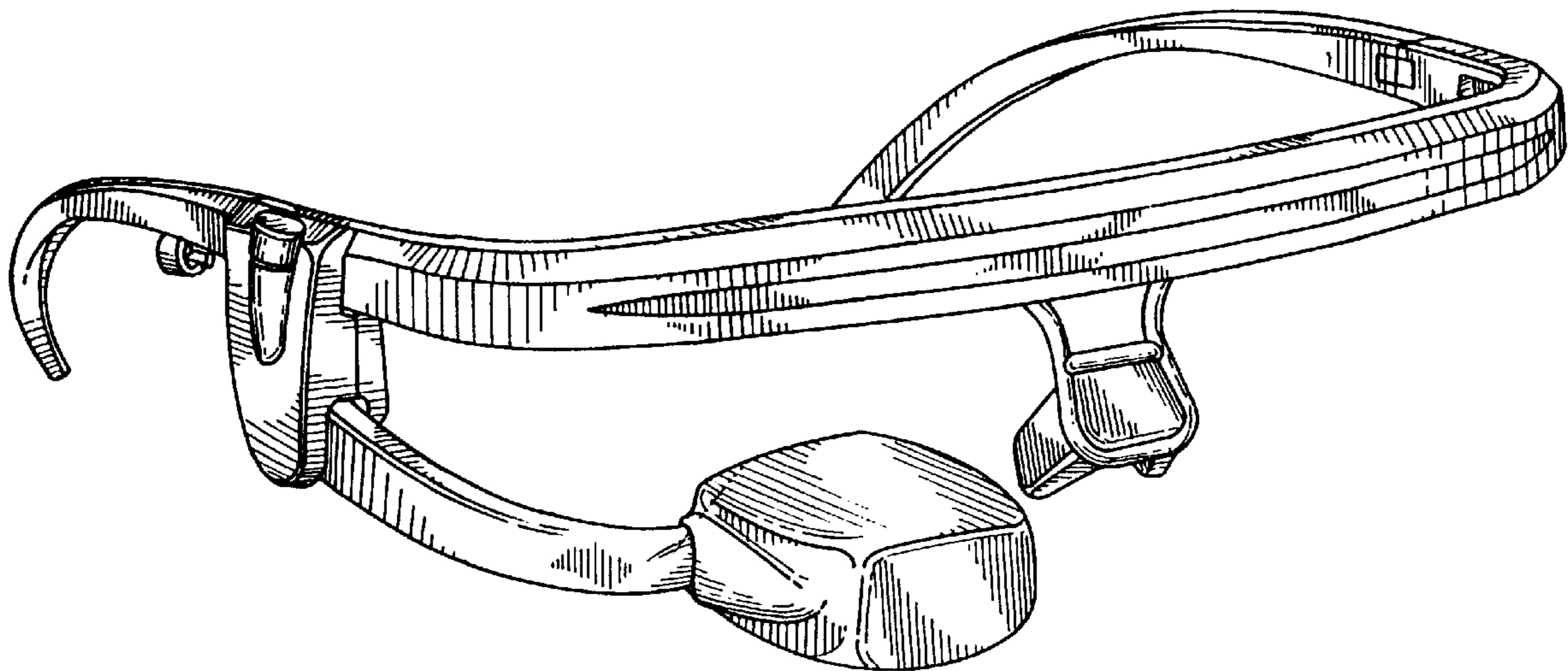


FIG. 1

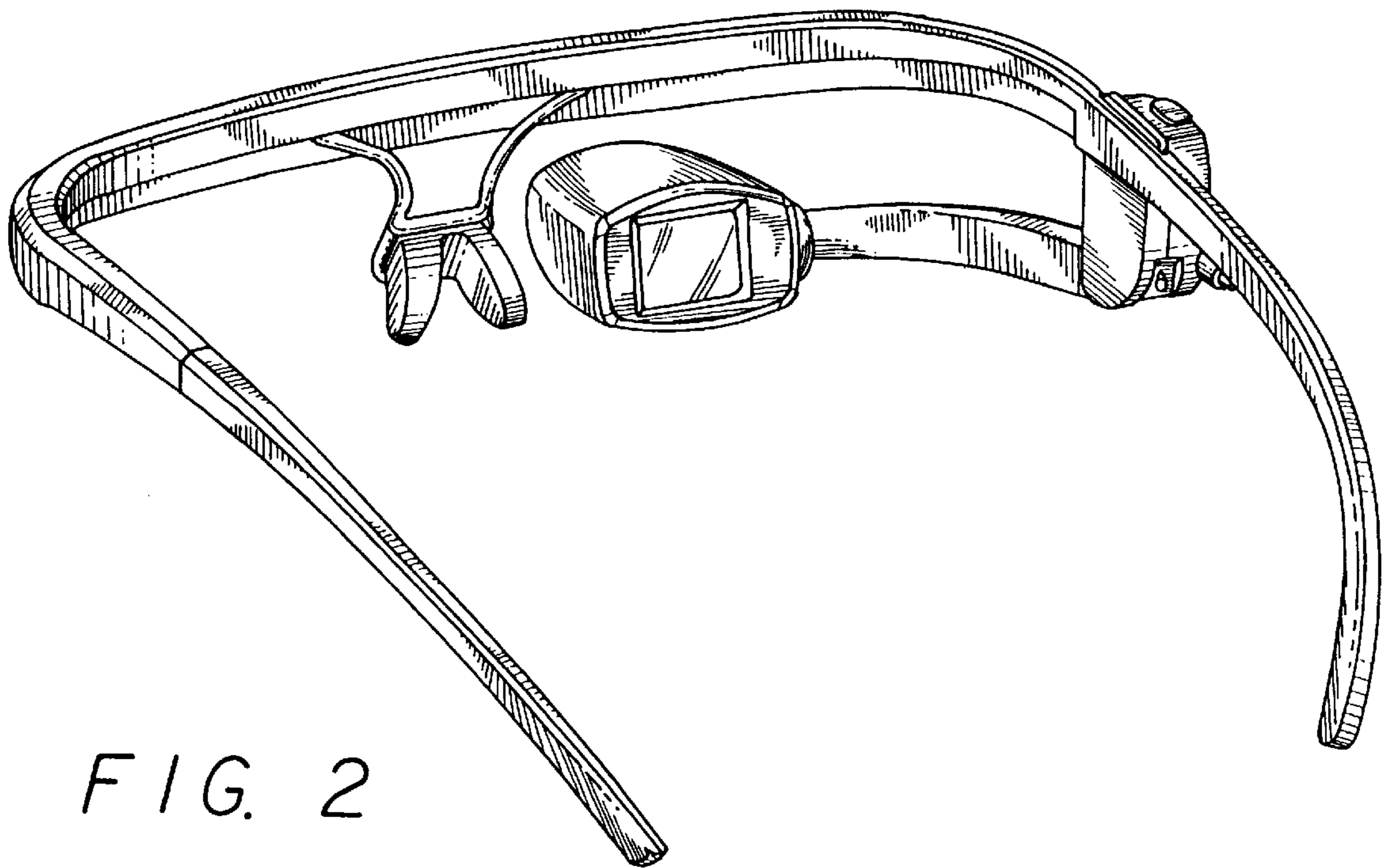
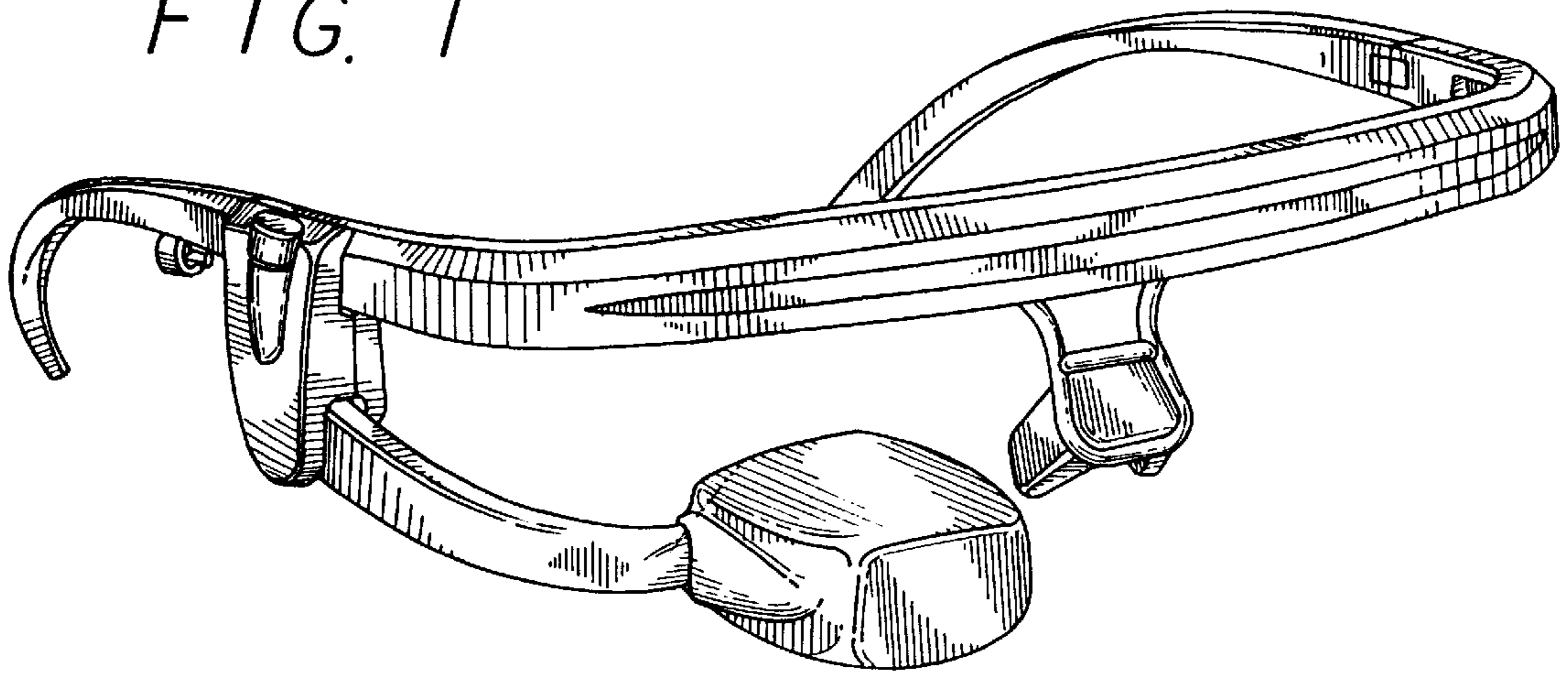


FIG. 2

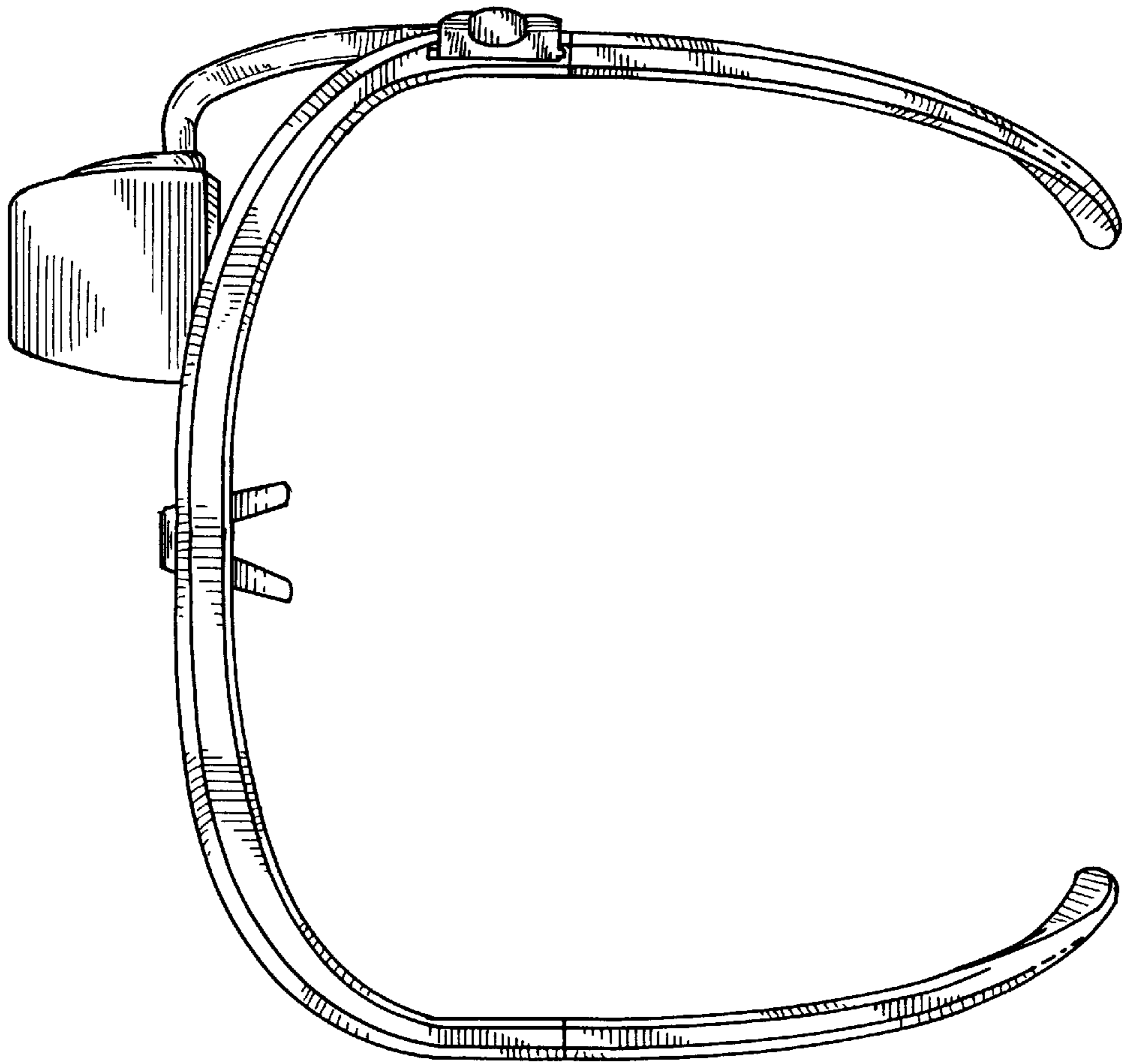


FIG. 3

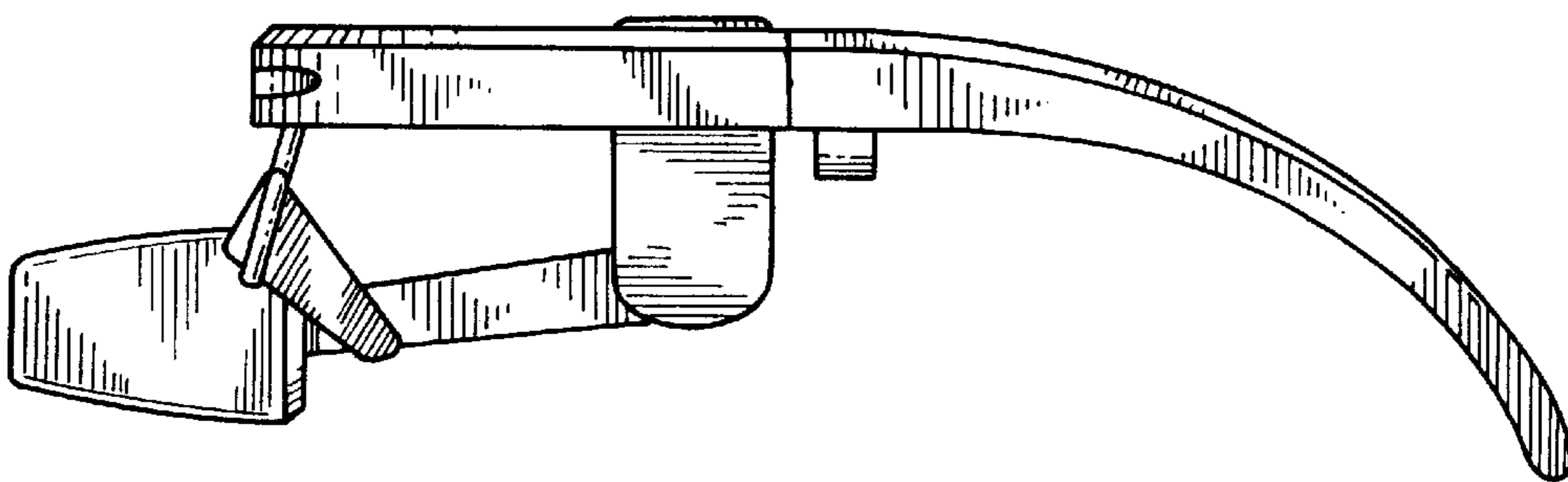


FIG. 4

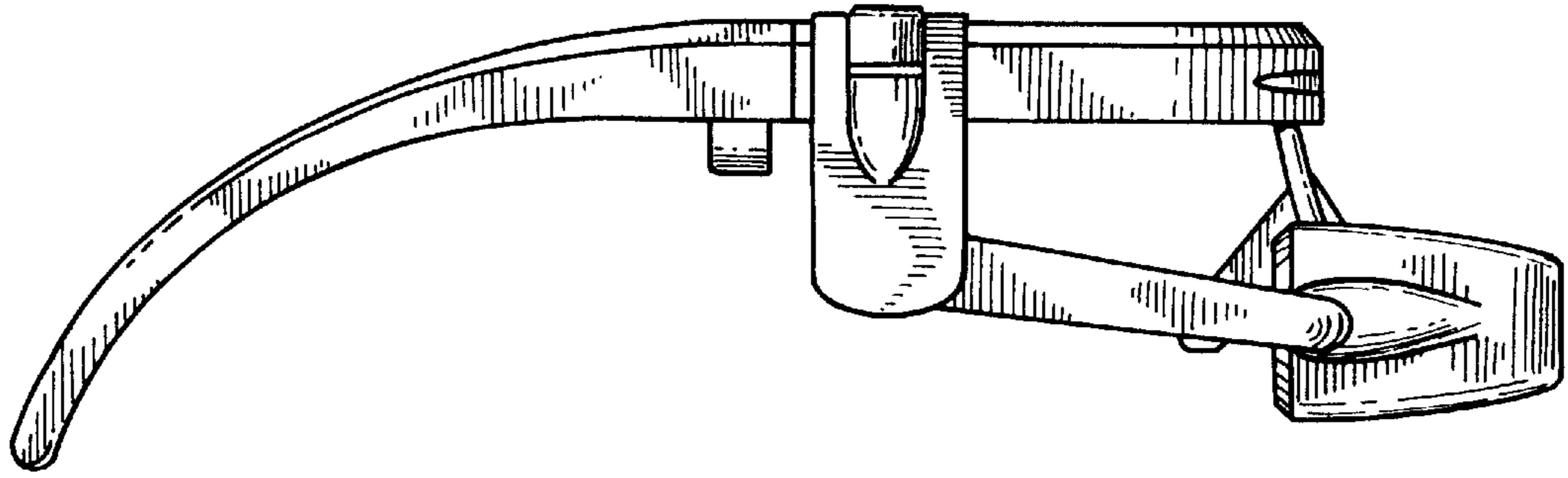


FIG. 5

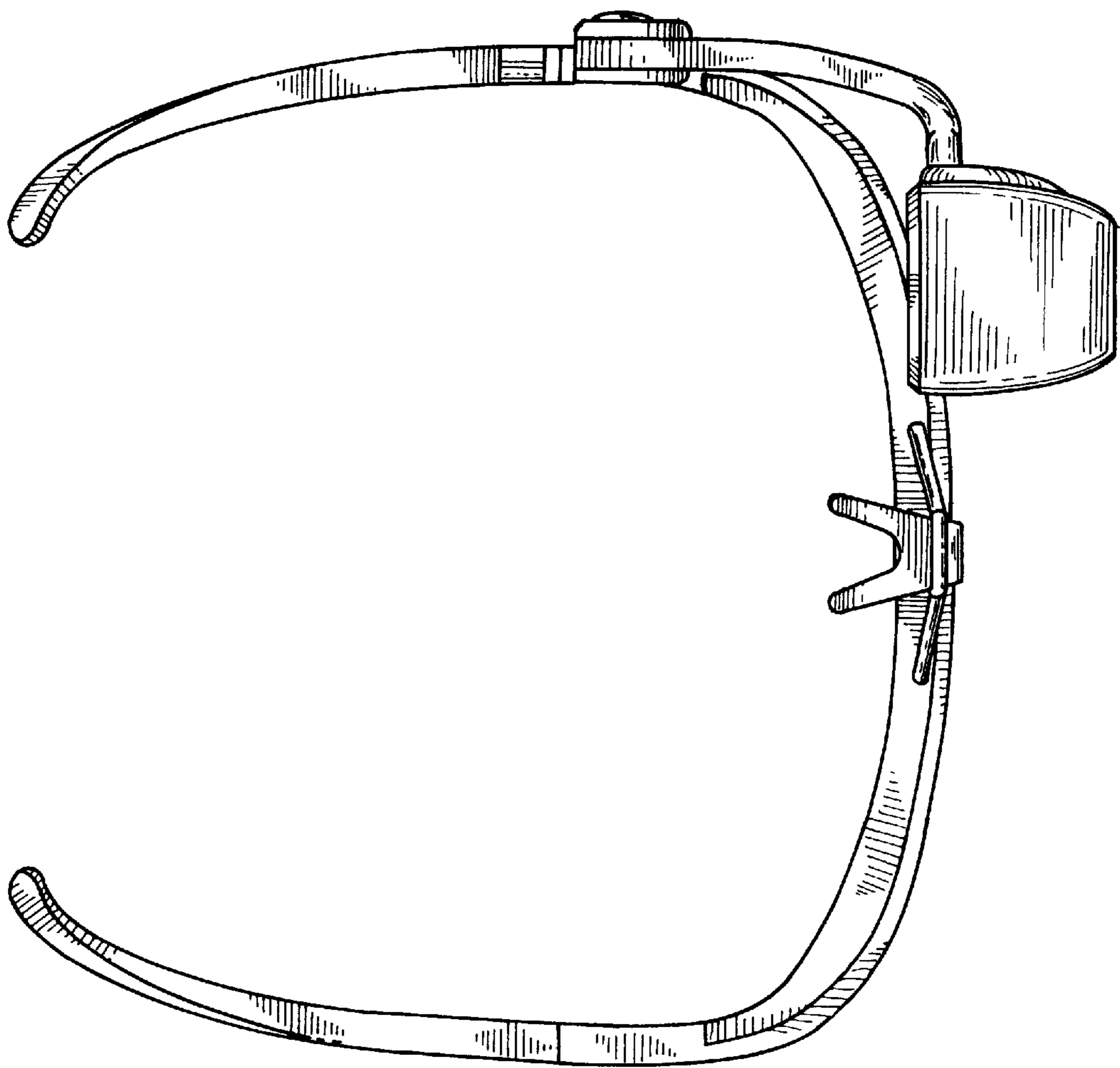


FIG. 6

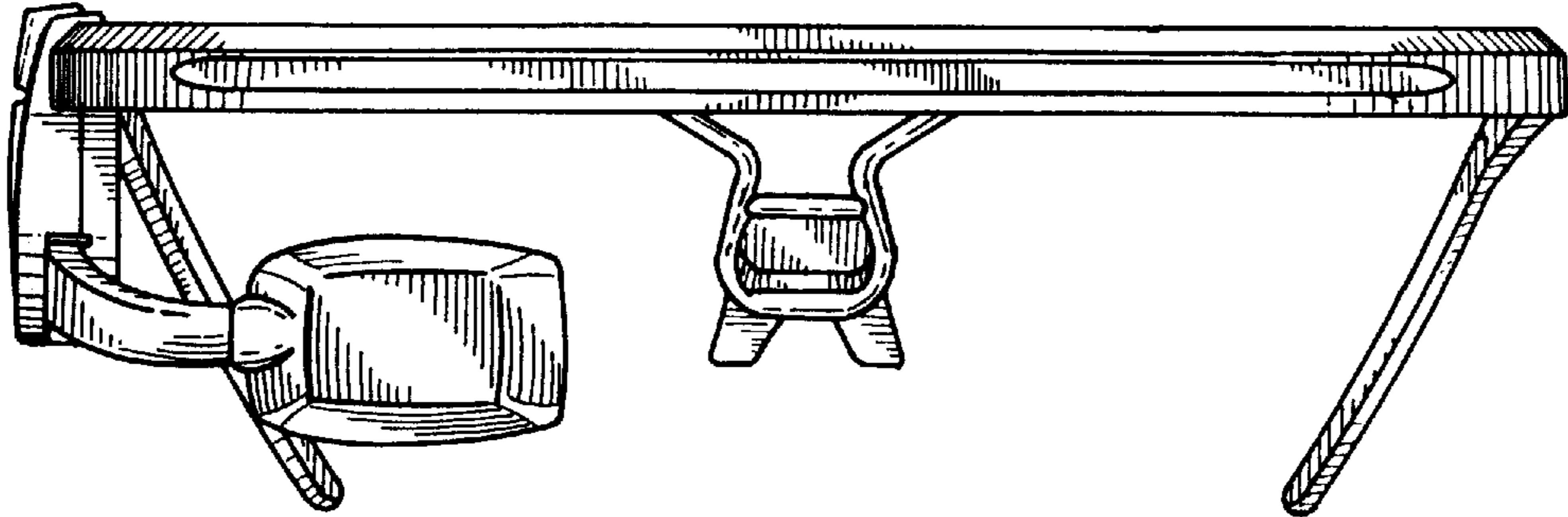


FIG. 7

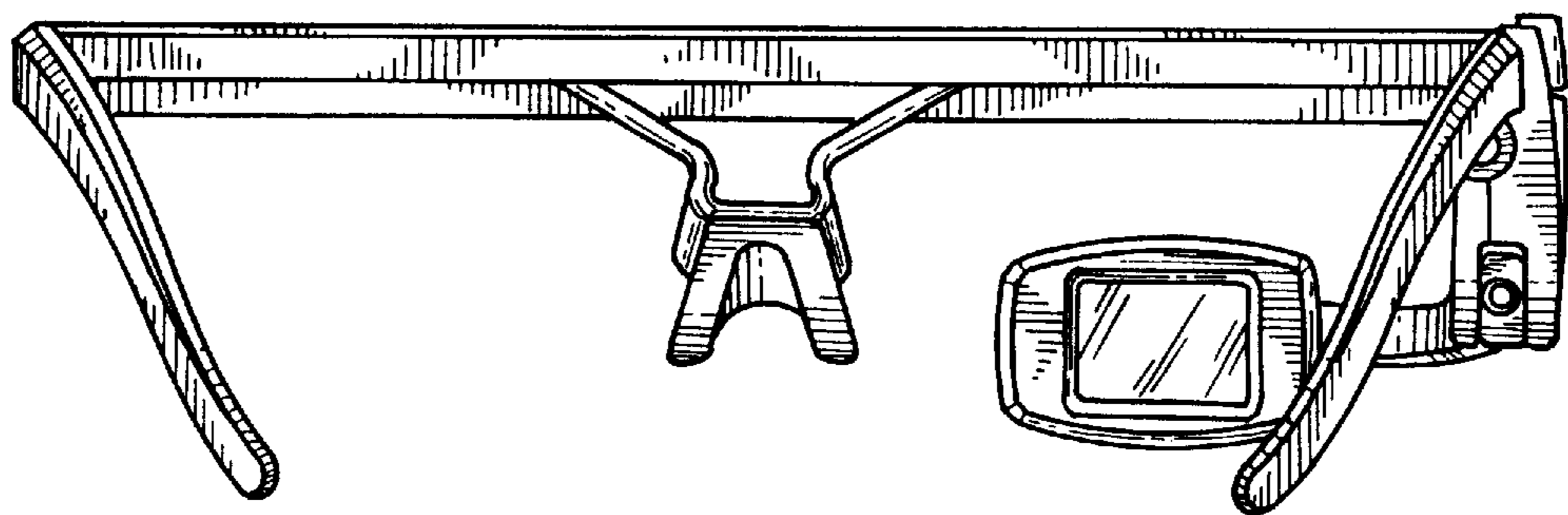


FIG. 8