



US00D402648S

United States Patent [19] Jones

[11] Patent Number: **Des. 402,648**

[45] Date of Patent: ****Dec. 15, 1998**

[54] **FOLDING BEZEL**

[75] Inventor: **Trent T. Jones**, White Bear Lake, Minn.

[73] Assignee: **Hoffman Enclosures, Inc.**, Anoka, Minn.

[**] Term: **14 Years**

[21] Appl. No.: **65,338**

[22] Filed: **Jan. 21, 1997**

[51] **LOC (6) Cl.** **14-02**

[52] **U.S. Cl.** **D14/115; D14/126**

[58] **Field of Search** D14/100, 106, D14/113, 124-129; 248/918-924; 345/104, 133, 156, 168, 87, 173, 901-905; 348/180, 184, 325, 739

[56] **References Cited**

U.S. PATENT DOCUMENTS

- D. 306,720 3/1990 Flies .
- D. 319,636 9/1991 Lampe .
- D. 358,177 5/1995 Imai et al. .
- D. 360,626 7/1995 MacMurtrie .
- D. 361,755 8/1995 Frank et al. D14/113 X
- D. 363,468 10/1995 Miki et al. D14/113 X
- D. 365,811 1/1996 Kemp et al. D14/115
- D. 367,045 2/1996 Matsuda .
- 5,100,098 3/1992 Hawkins .
- 5,398,905 3/1995 Hinson .

OTHER PUBLICATIONS

Hoffman Engineering Company, "Operator Interface Enclosure Systems", 1995 Brochure, p. 83.
 Hoffman Engineering Company, "CONCEPT Operator Interface Enclosure s", pates 130-133 1995.
 Hoffman Engineering Company, "APX-PC Modular Enclosures", Specifier's Guide 1995-1996, p. 72.
 Hoffman Engineering Company, "Operator Interface Enclosures That Reflect the Operator" Brochure 1995.

Primary Examiner—Freda Nunn
Attorney, Agent, or Firm—Merchant, Gould, Smith, Edell, Welter & Schmidt

[57] **CLAIM**

The ornamental design for the folding bezel, as shown and described.

DESCRIPTION

FIG. 1 is a perspective view of a folding bezel according to the principles of the present invention;
 FIG. 2 is a perspective view thereof with the cover portion open;
 FIG. 3 is a front elevational view thereof;
 FIG. 4 is a rear elevational view thereof;
 FIG. 5 is a top plan view thereof, a bottom plan view not being shown as it is a mirror image of the top plan view;
 FIG. 6 is a right side elevational view thereof; and,
 FIG. 7 is a left side elevational view thereof.

1 Claim, 6 Drawing Sheets

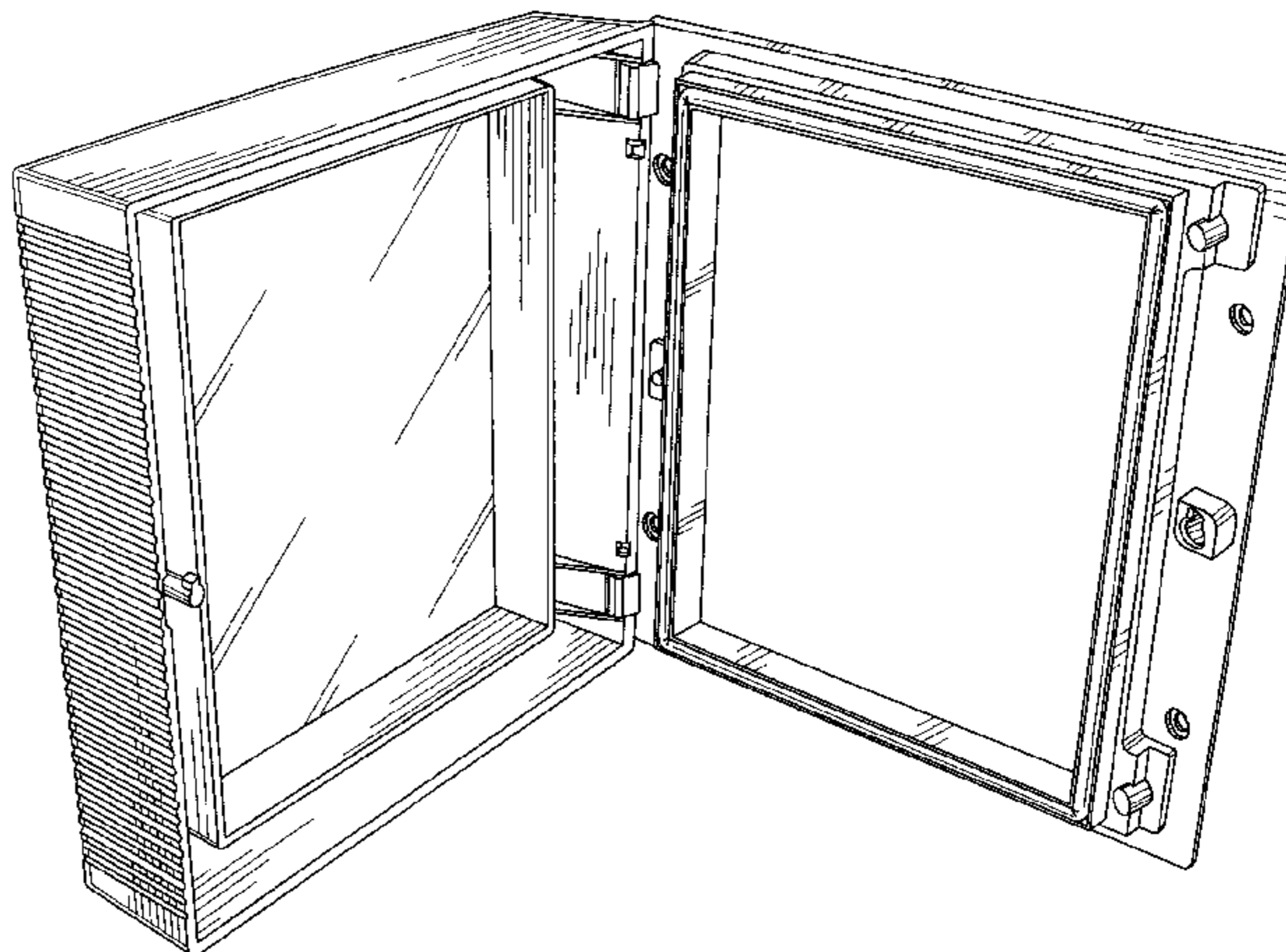
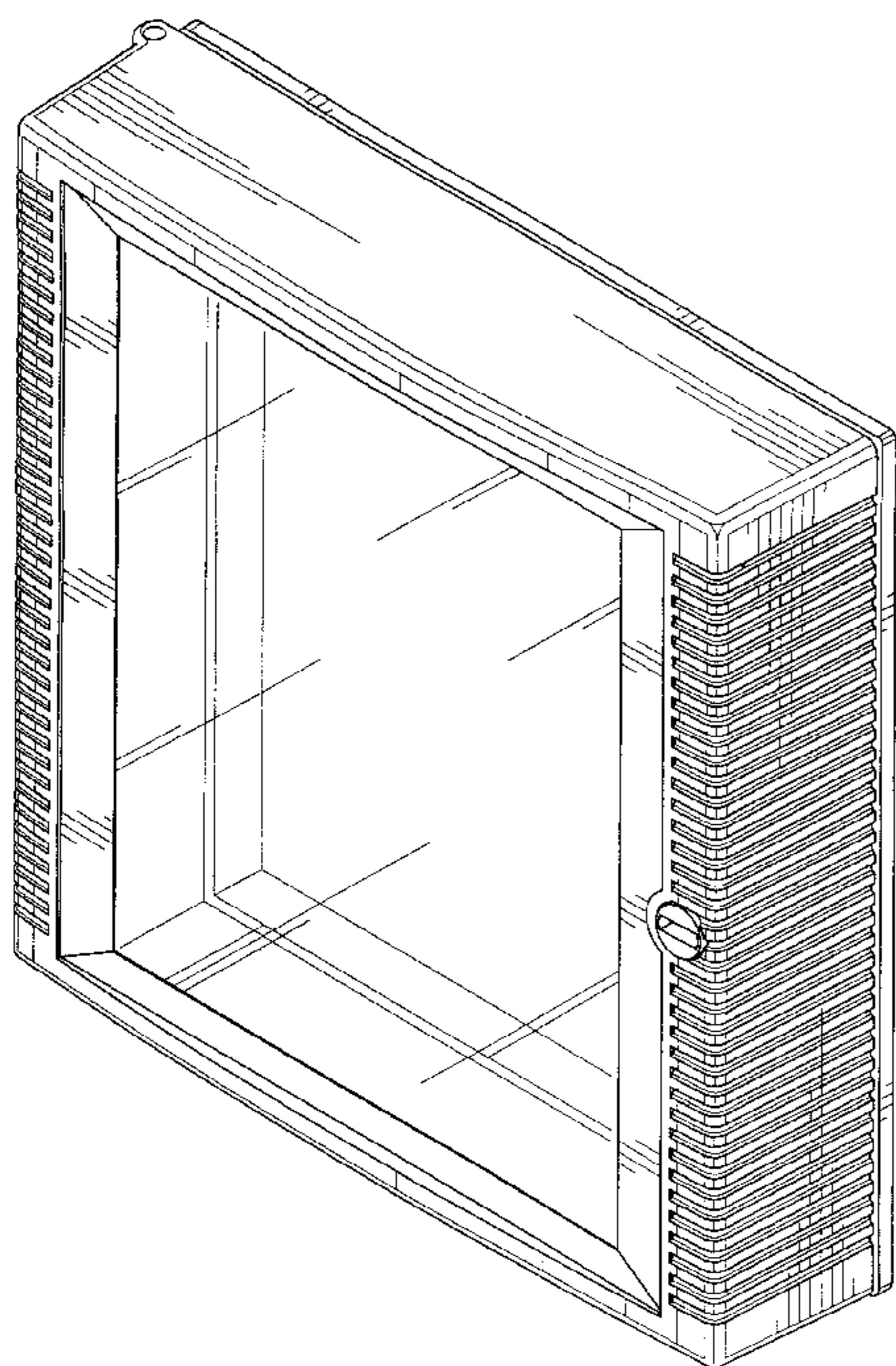
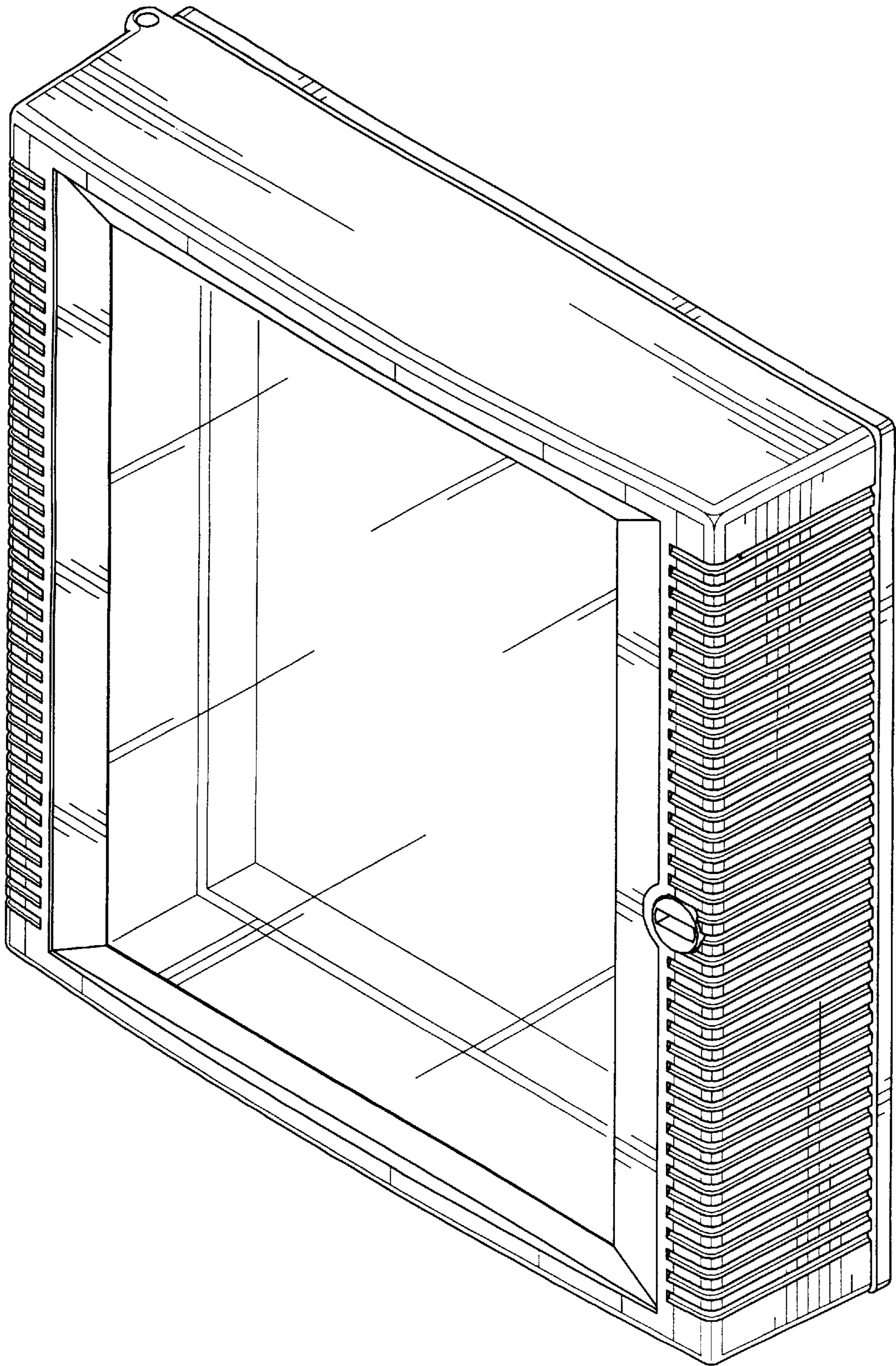


FIG. 1



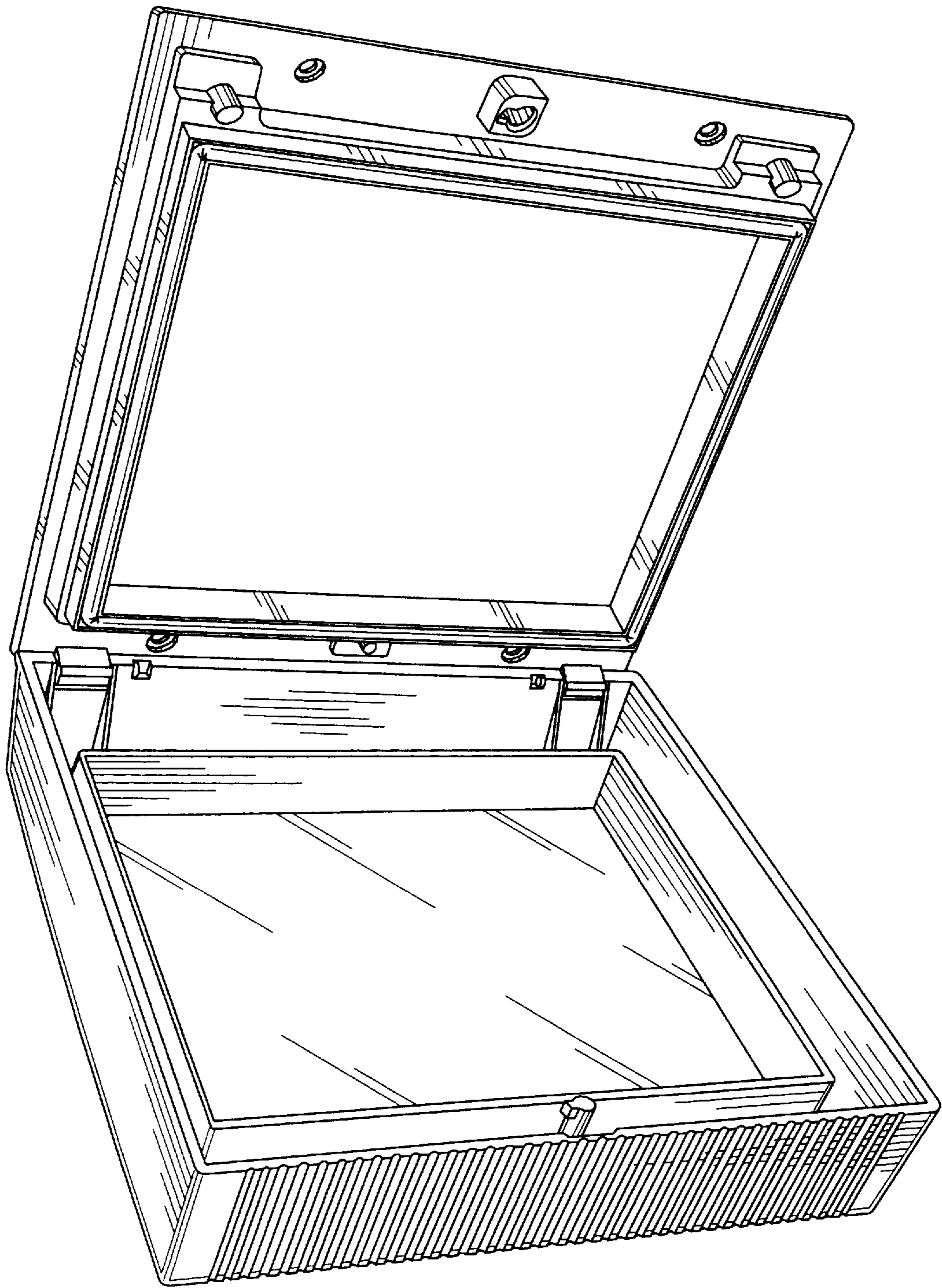


FIG. 2

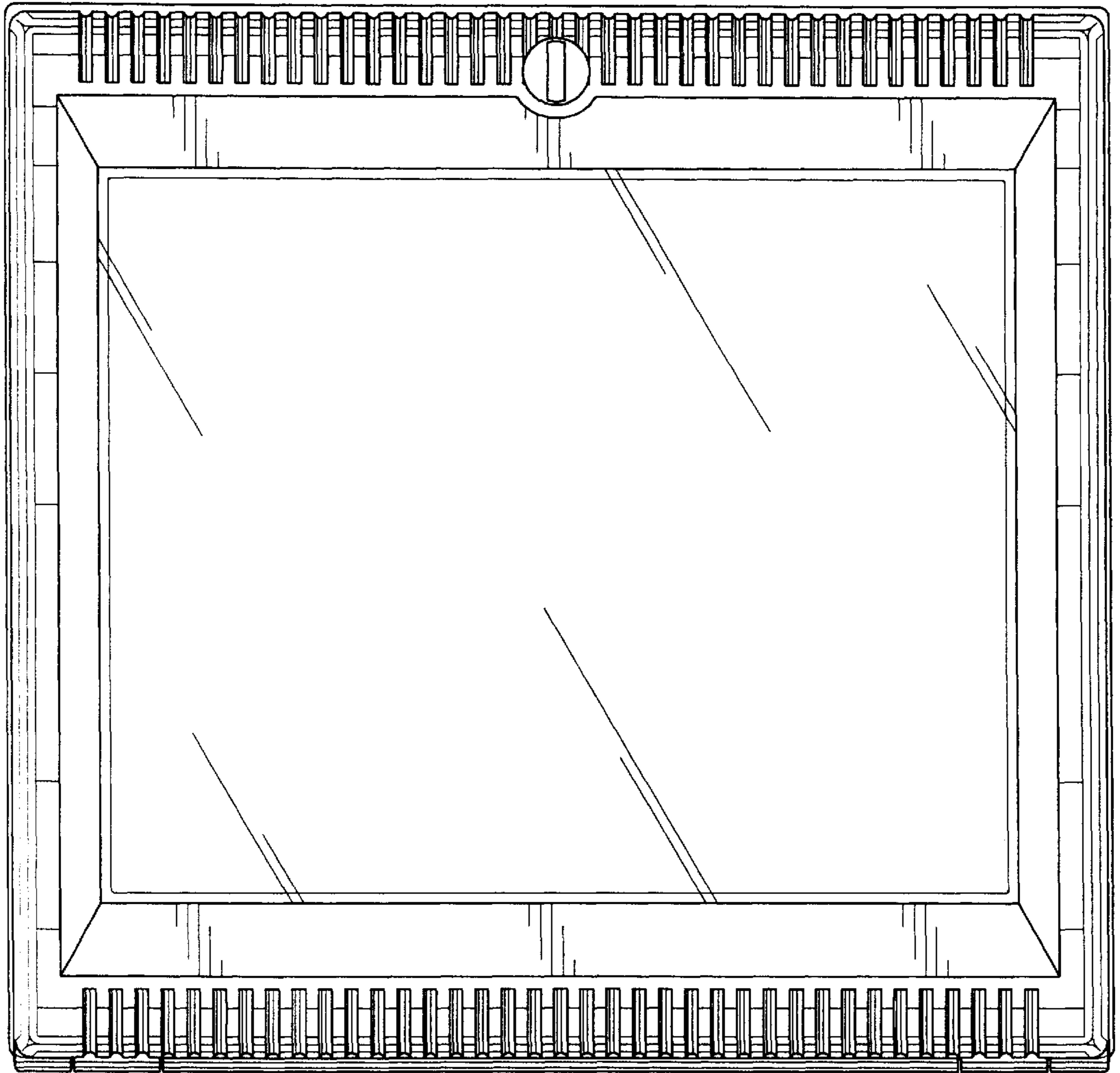


FIG. 3

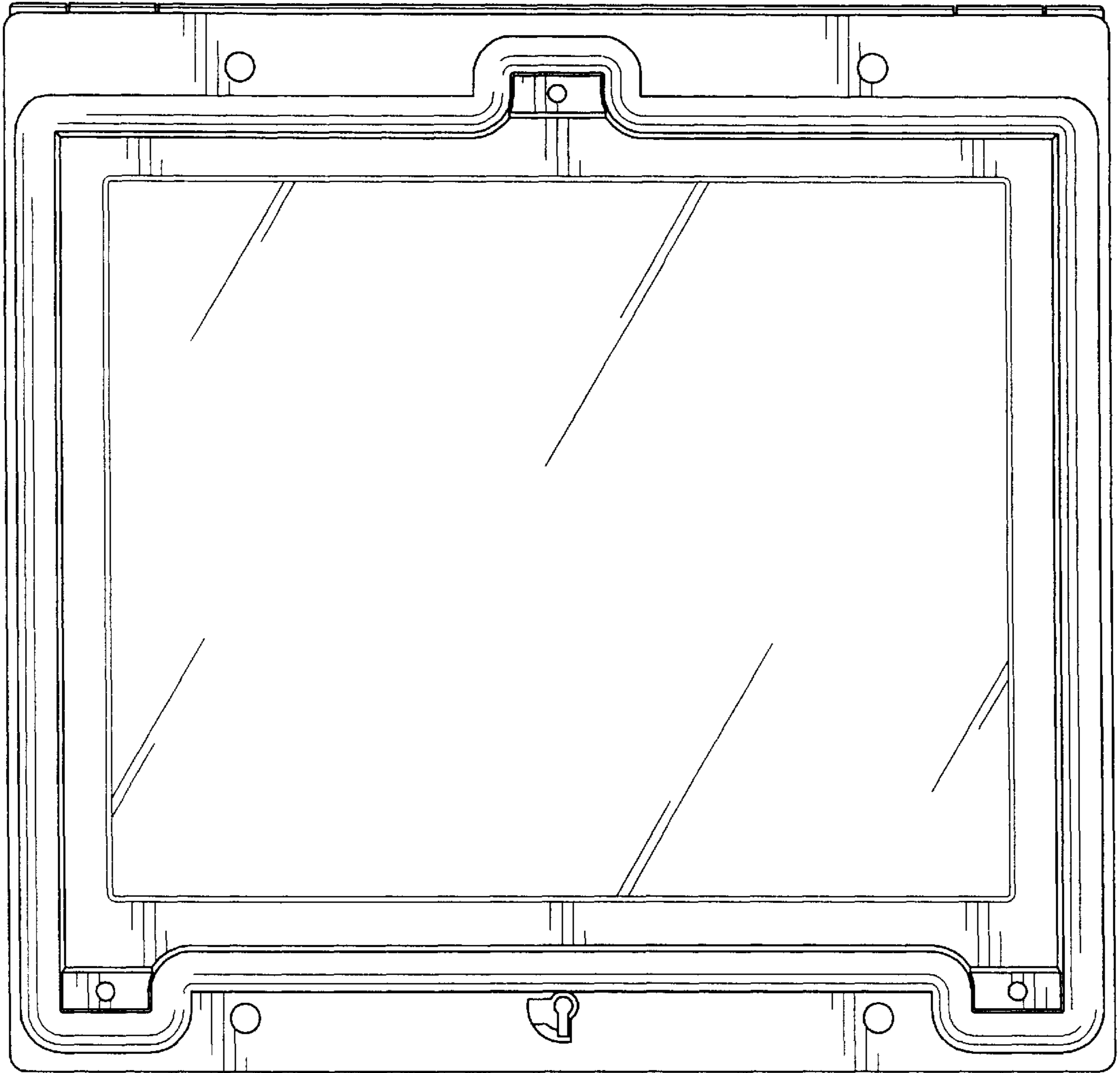


FIG. 4

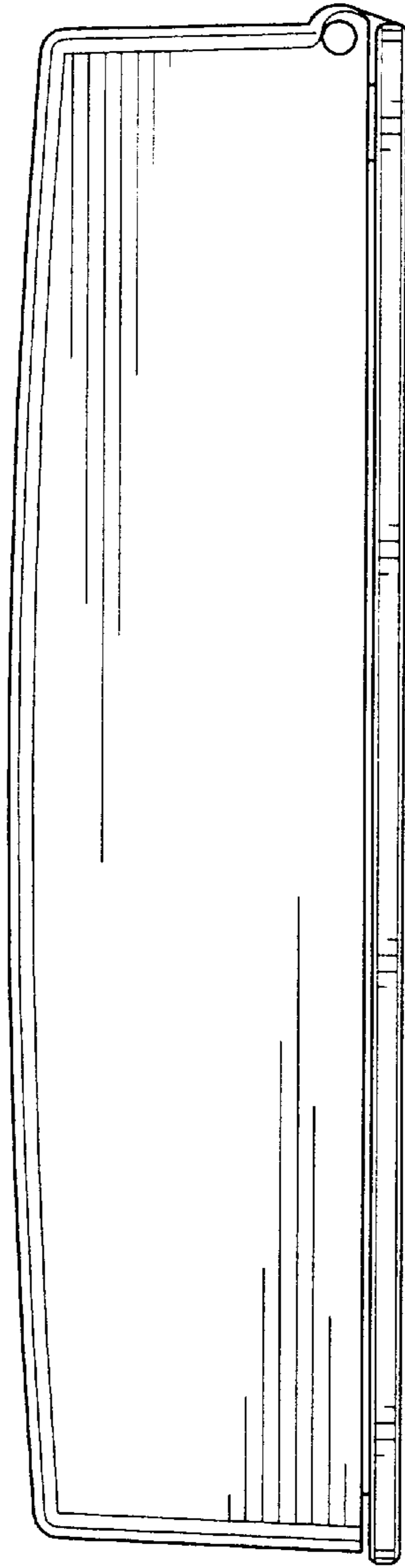


FIG. 5

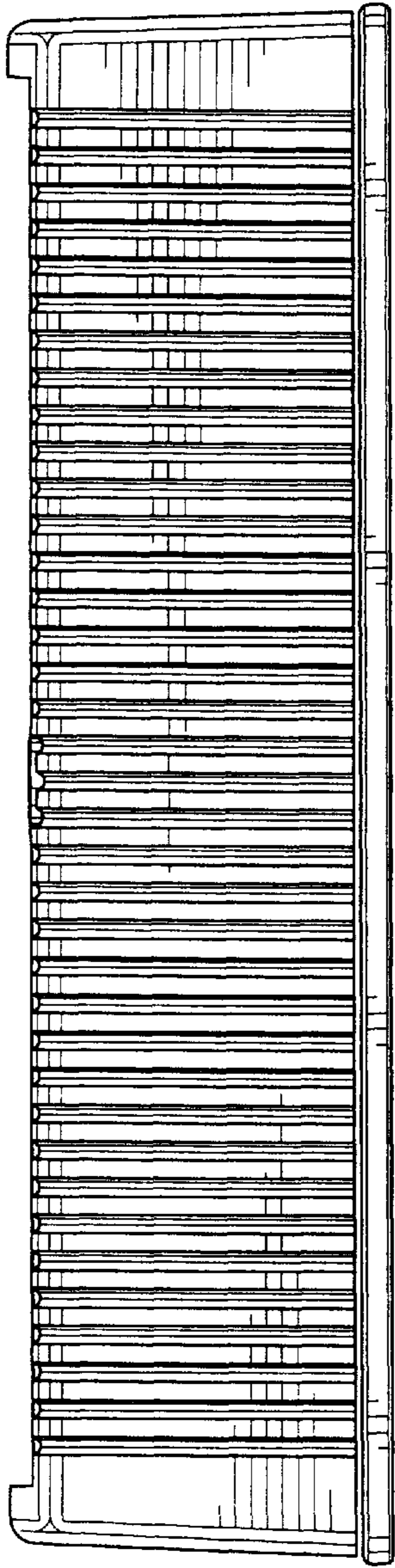


FIG. 6

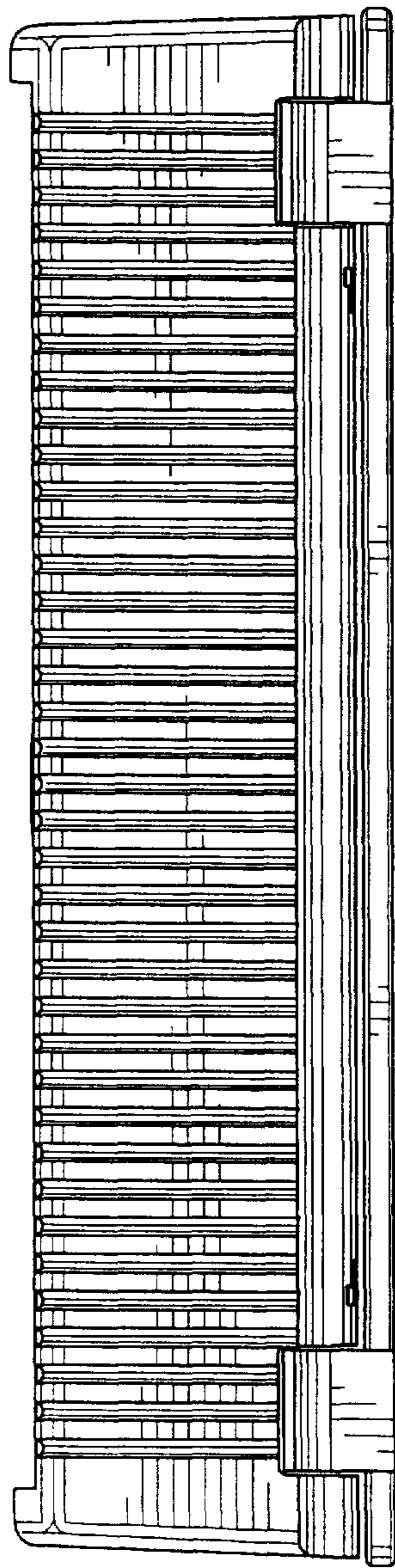


FIG. 7