



US00D402642S

United States Patent [19]

Faranda et al.

[11] **Patent Number: Des. 402,642**

[45] **Date of Patent: **Dec. 15, 1998**

[54] **NOTEBOOK PERSONAL COMPUTER MOBILE DOCK**

D. 356,782 3/1995 Leman D14/107
D. 375,945 11/1996 Shin et al. D14/107

[75] Inventors: **Robert T. Faranda**, Boxborough;
Bradford G. Chapin, Ayer; **Allan S. Baucom**, Townsend, all of Mass.

Primary Examiner—Freda Nunn
Attorney, Agent, or Firm—Krishnendu Gupta

[73] Assignee: **Digital Equipment Corporation**,
Maynard, Mass.

[57] **CLAIM**

The ornamental design for a notebook personal computer mobile dock, as shown.

[**] Term: **14 Years**

DESCRIPTION

[21] Appl. No.: **81,702**

FIG. 1 is a top front and left side perspective view of the notebook personal computer mobile dock showing our new design;

[22] Filed: **Dec. 12, 1997**

[51] **LOC (6) Cl.** **14-02**

FIG. 2 is a front view thereof;

[52] **U.S. Cl.** **D14/107**

FIG. 3 is a rear view thereof;

[58] **Field of Search** D14/100, 107,
D14/114; D13/184, 199; 361/683-686;
364/708.1; 439/95, 248

FIG. 4 is a left side view thereof;

FIG. 5 is a right side view thereof;

FIG. 6 is a top view thereof; and,

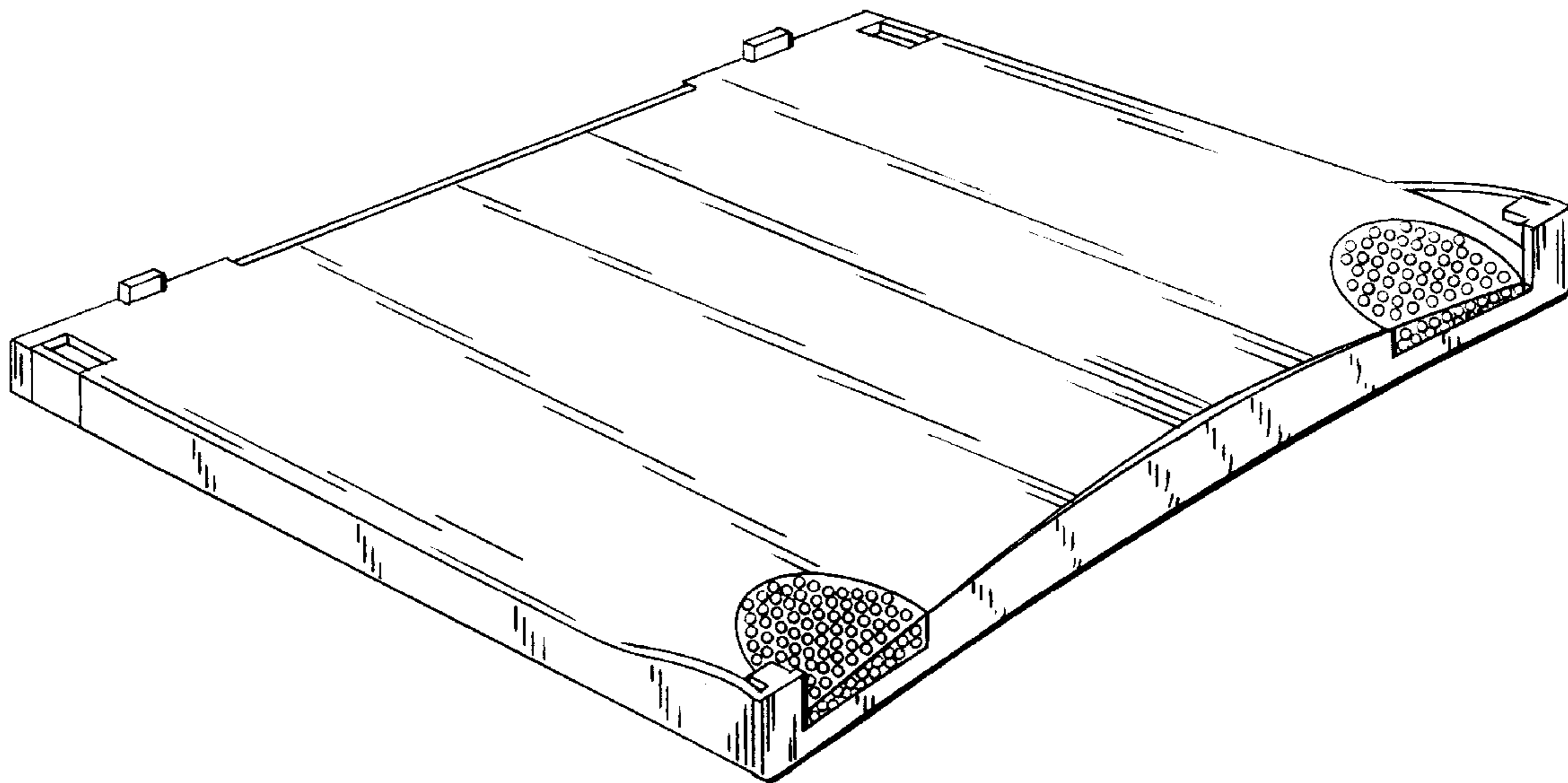
FIG. 7 is a bottom view thereof.

[56] **References Cited**

U.S. PATENT DOCUMENTS

D. 336,287 6/1993 Mizusugi et al. D14/107

1 Claim, 3 Drawing Sheets



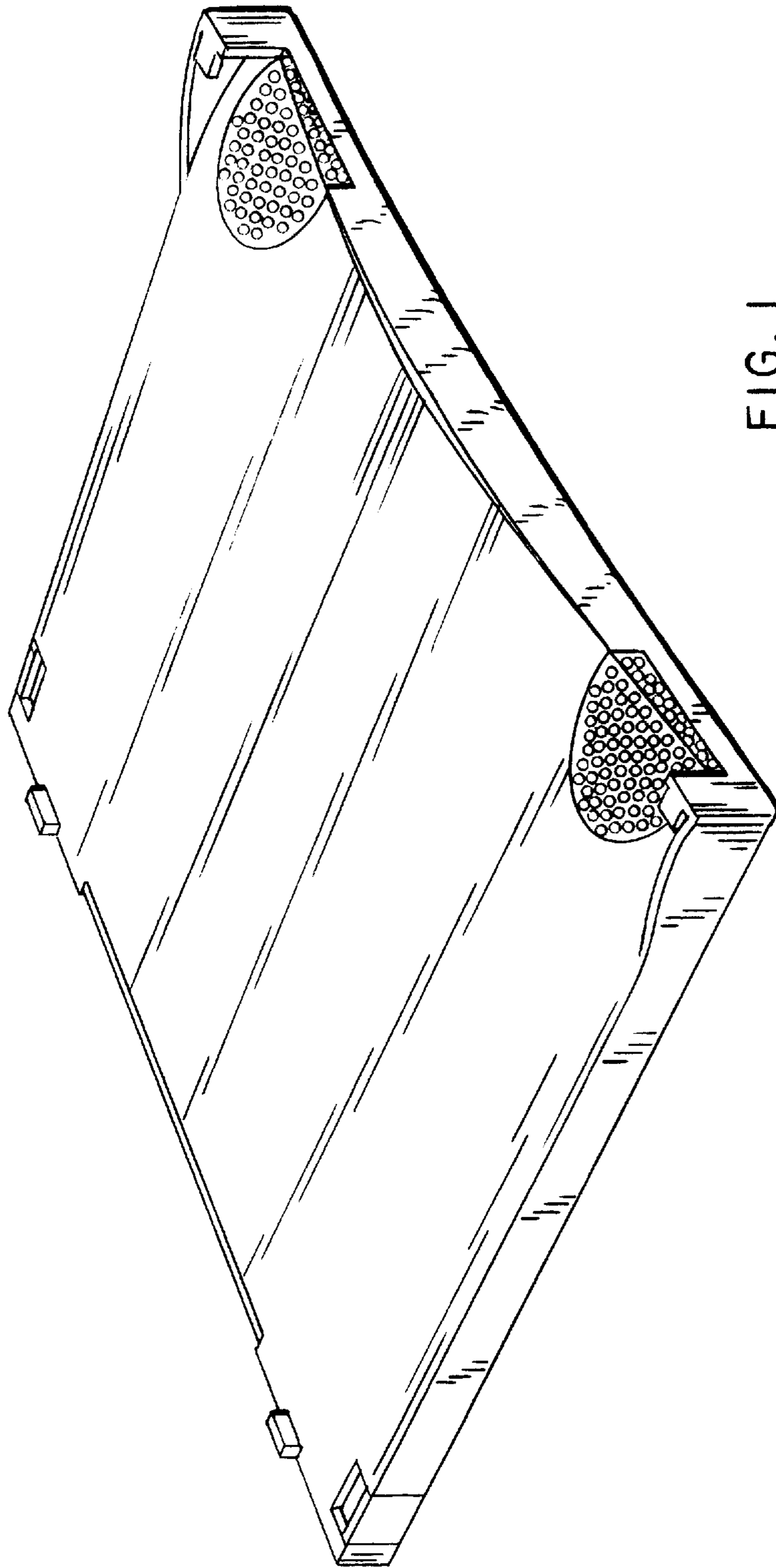


FIG. 1



FIG. 2

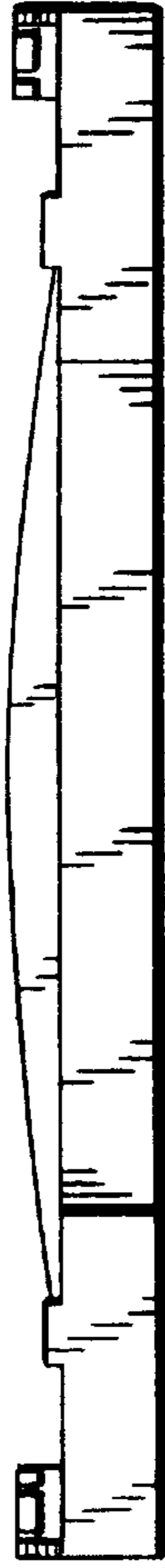


FIG. 3



FIG. 4

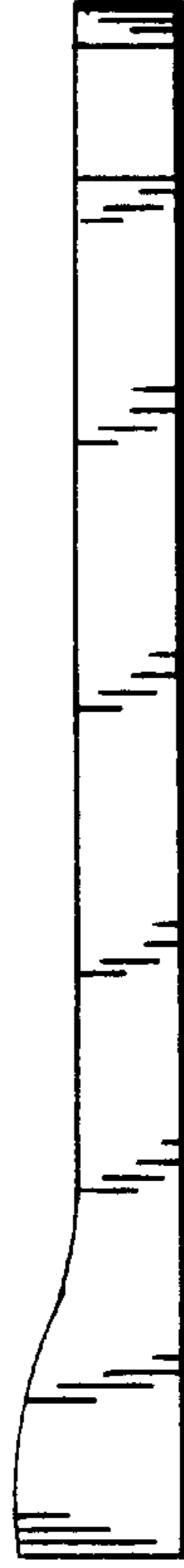


FIG. 5

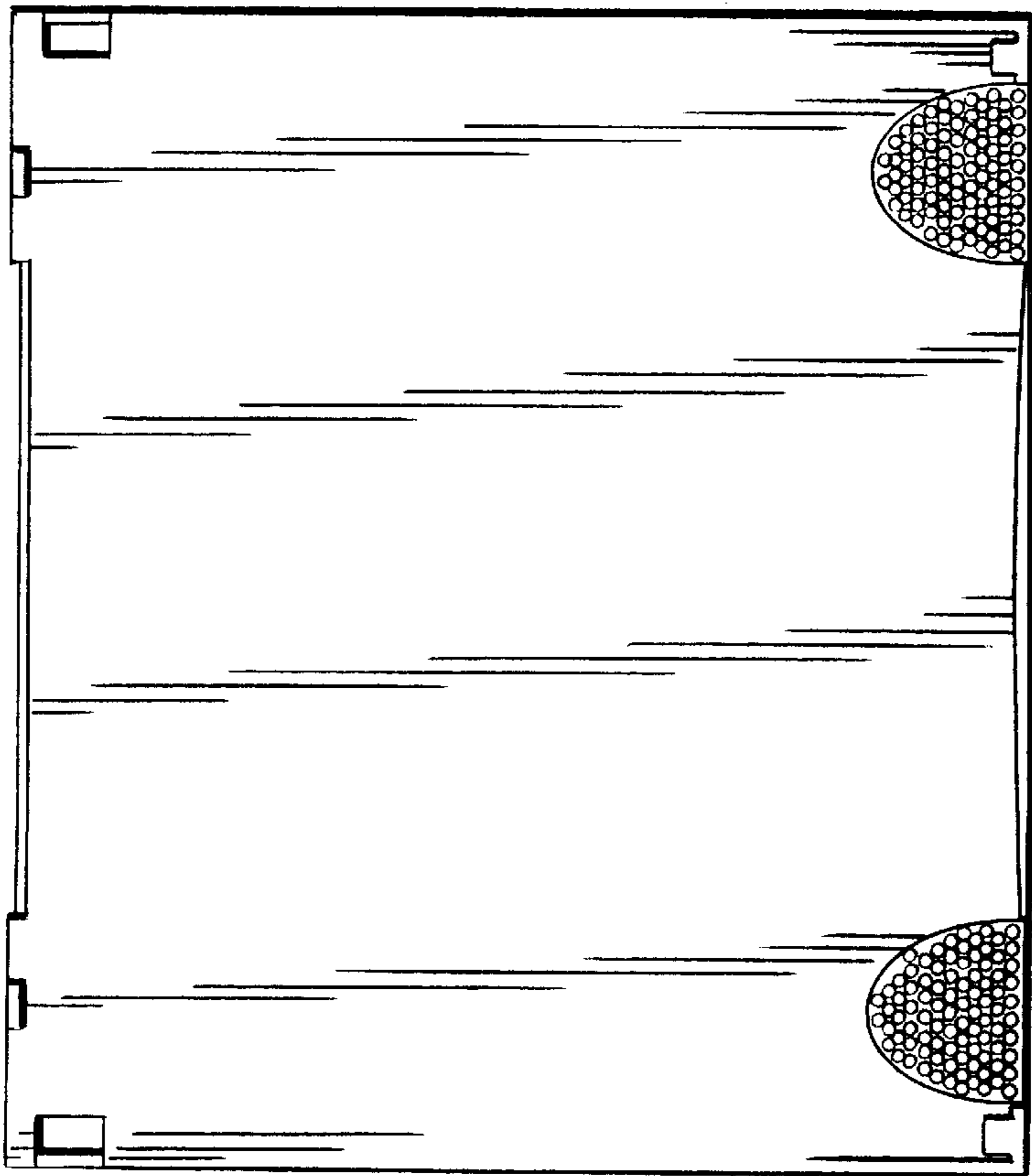


FIG. 6

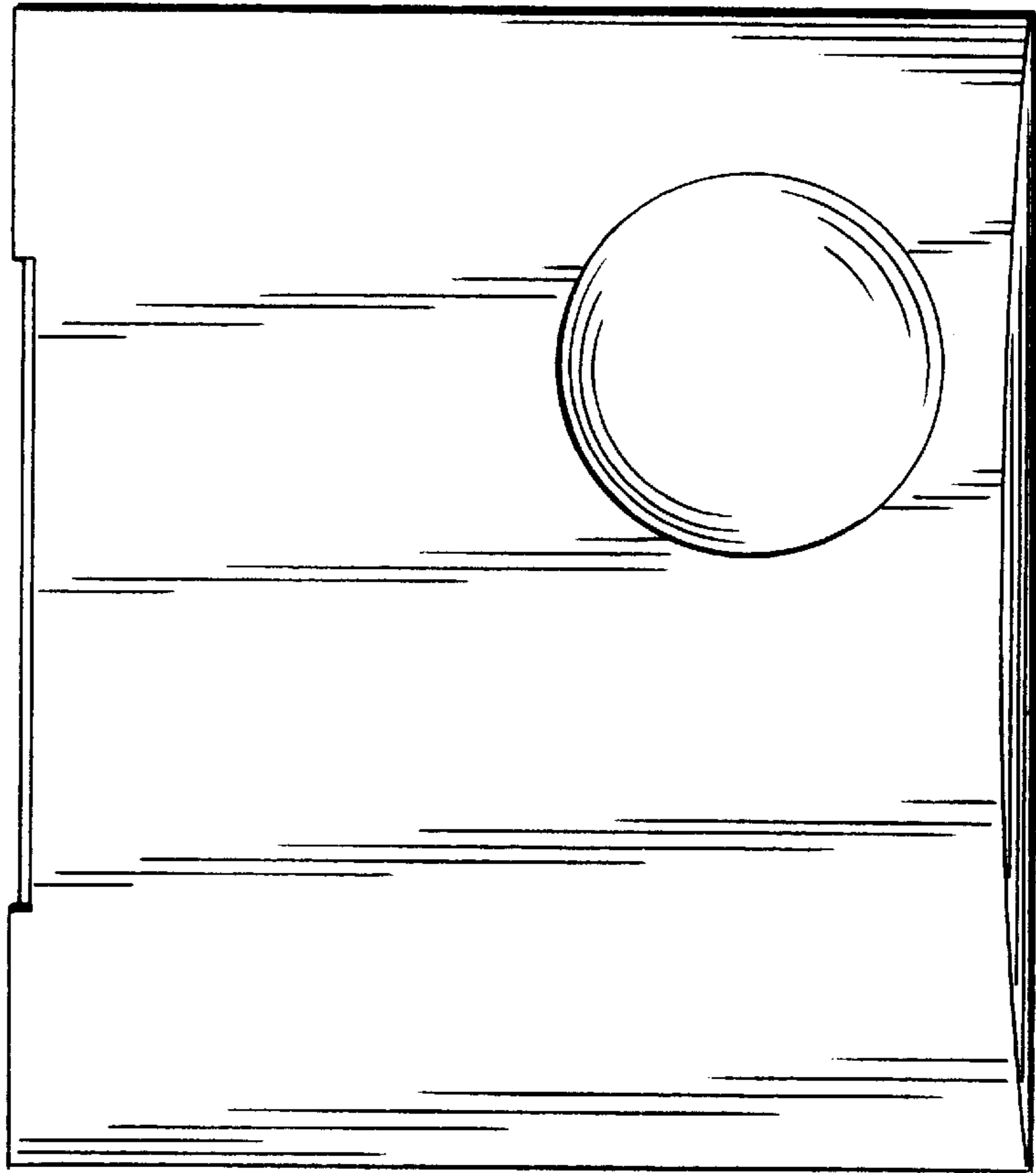


FIG. 7