



US00D402641S

United States Patent [19] Heijnen

[11] **Patent Number: Des. 402,641**

[45] **Date of Patent: **Dec. 15, 1998**

[54] **ELECTRONICS HOUSING**

[75] Inventor: **Luc Heijnen**, Eindhoven, Netherlands

[73] Assignee: **Motivision Worldwide PLC**, London, England

[**] Term: **14 Years**

[21] Appl. No.: **66,245**

[22] Filed: **Feb. 4, 1997**

[51] **LOC (6) Cl. 13-03**

[52] **U.S. Cl. D13/184**

[58] **Field of Search** D13/184, 158;
361/686, 728, 724; 379/441, 442, 419,
420, 428

[56] **References Cited**

U.S. PATENT DOCUMENTS

D. 265,989	8/1982	Harris et al.	D13/184
D. 312,618	12/1990	Ambros	D13/184
D. 365,529	12/1995	Peroni	D13/184
D. 366,248	1/1996	Owens	D13/184
D. 368,429	4/1996	Serio, Jr.	D13/184

D. 378,577	3/1997	Peroni	D13/184
D. 380,199	6/1997	Beruscha et al.	D13/184
D. 380,475	7/1997	Rasmussen	D13/184

Primary Examiner—Brian N. Vinson
Attorney, Agent, or Firm—Fulbright & Jaworski

[57] **CLAIM**

The ornamental design for an electronics housing, as shown and described.

DESCRIPTION

FIG. 1 is a perspective view of an electronics housing of my design;
FIG. 2 is a front view of the electronics housing of FIG. 1;
FIG. 3 is an end view of the electronics housing shown in FIG. 1;
FIG. 4 is a bottom view of the electronics housing shown in FIG. 1;
FIG. 5 is an opposite end view of the electronics housing shown in FIG. 1; and,
FIG. 6 is a rear view of the electronics housing shown in FIG. 1.

1 Claim, 1 Drawing Sheet

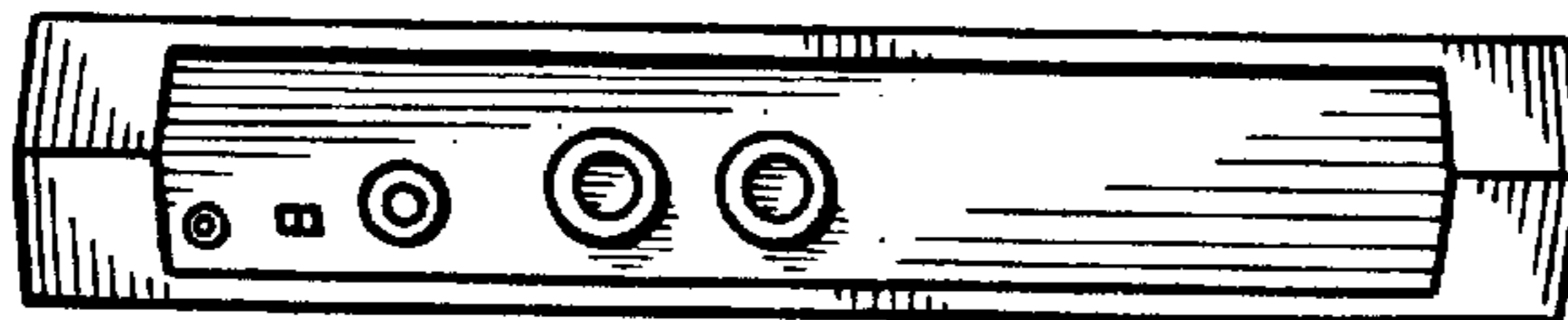
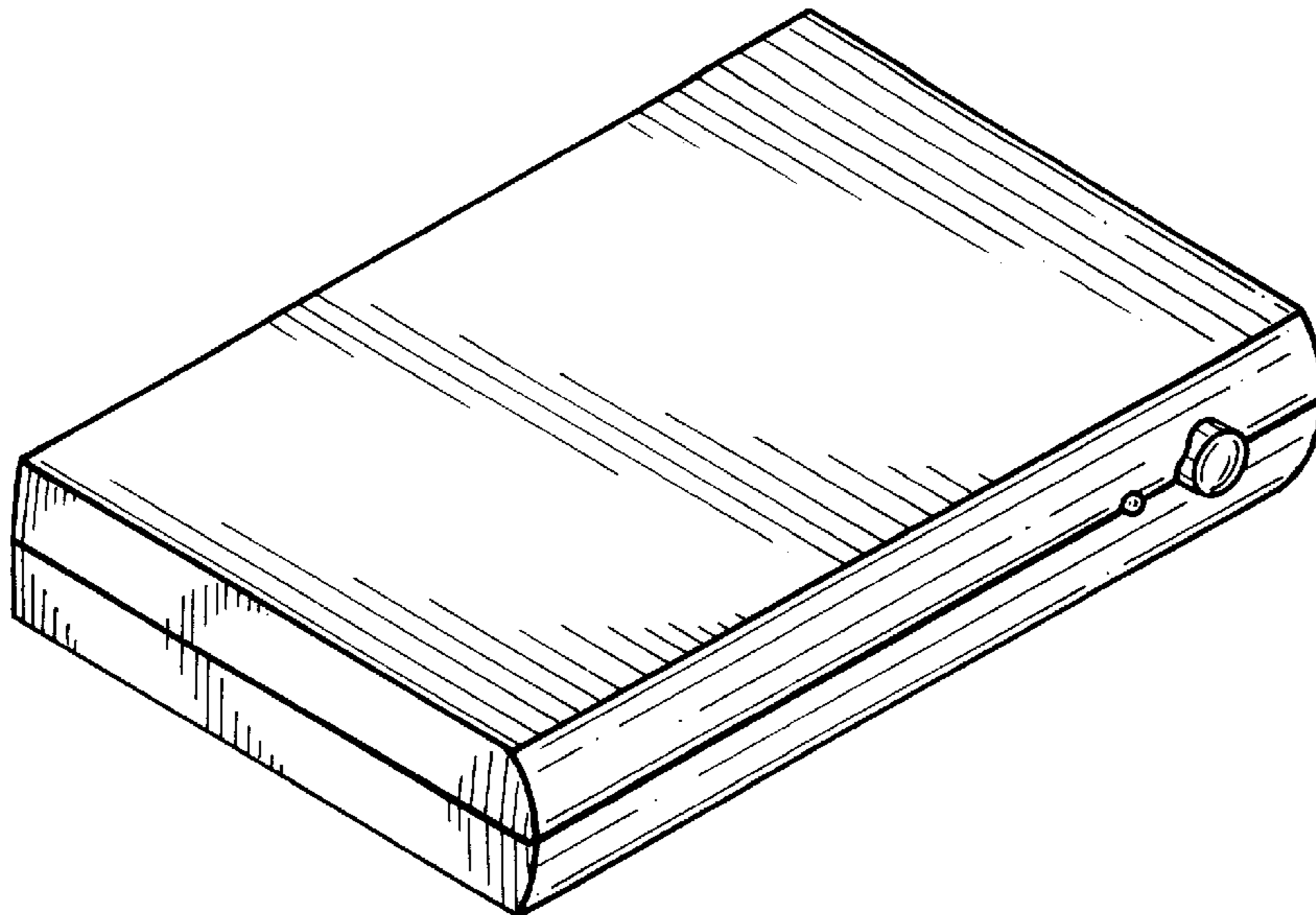


FIG. 1

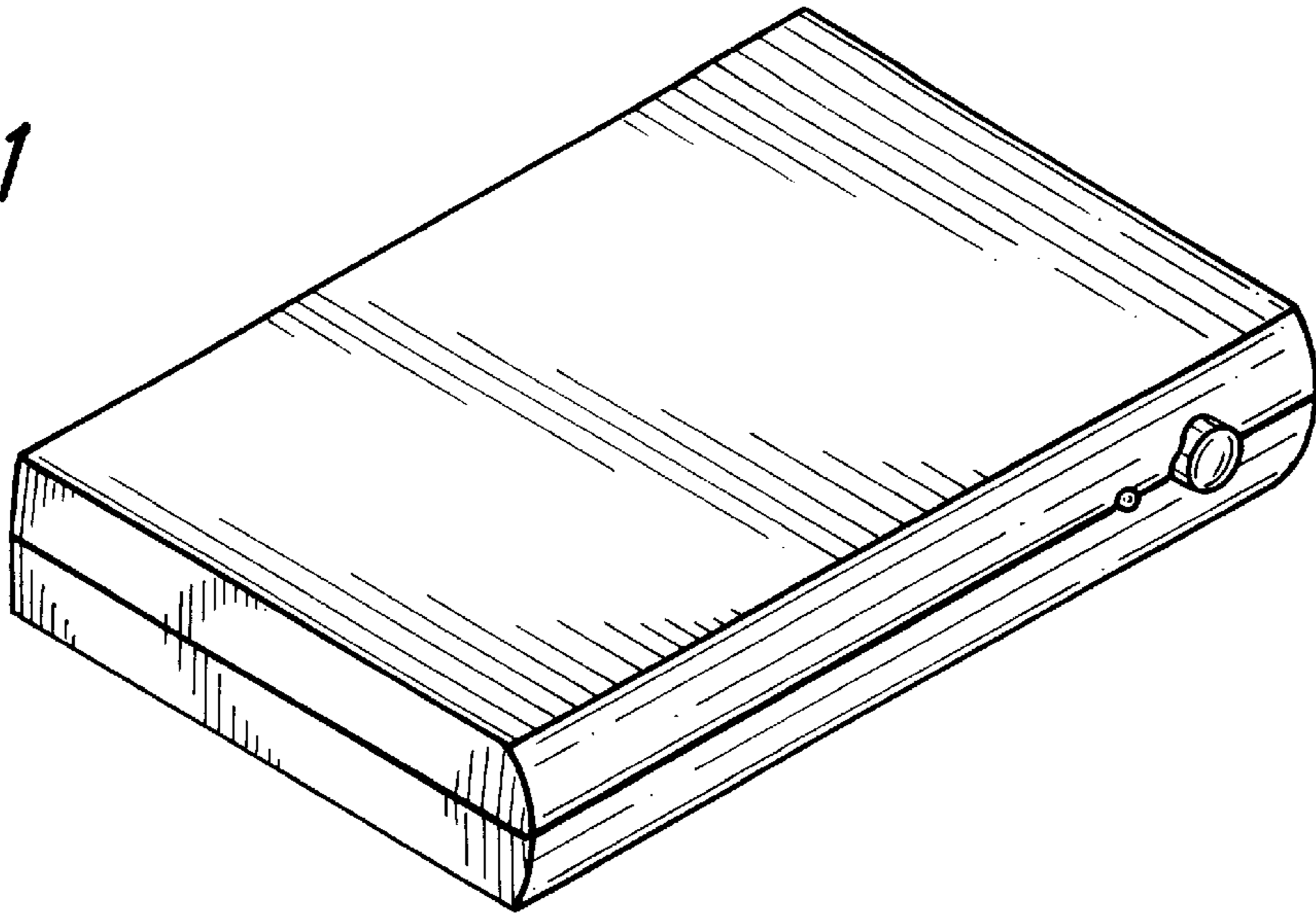


FIG. 2

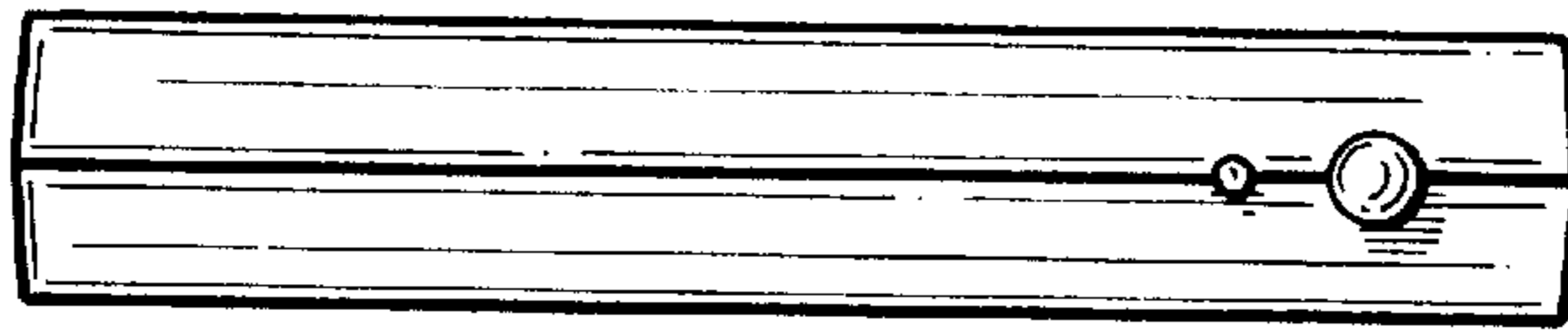


FIG. 3

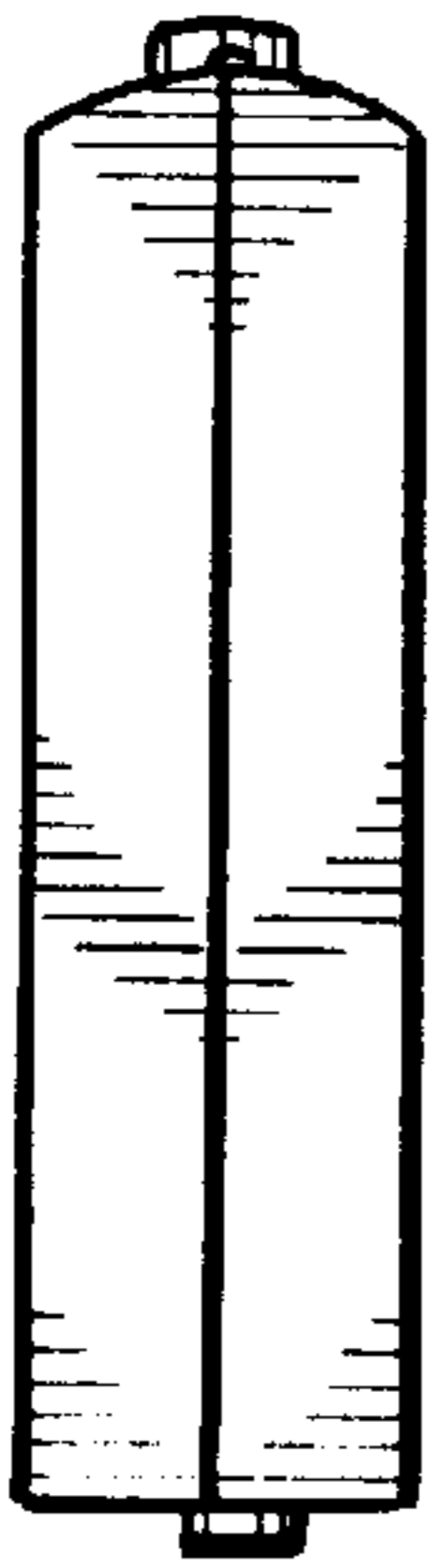


FIG. 4

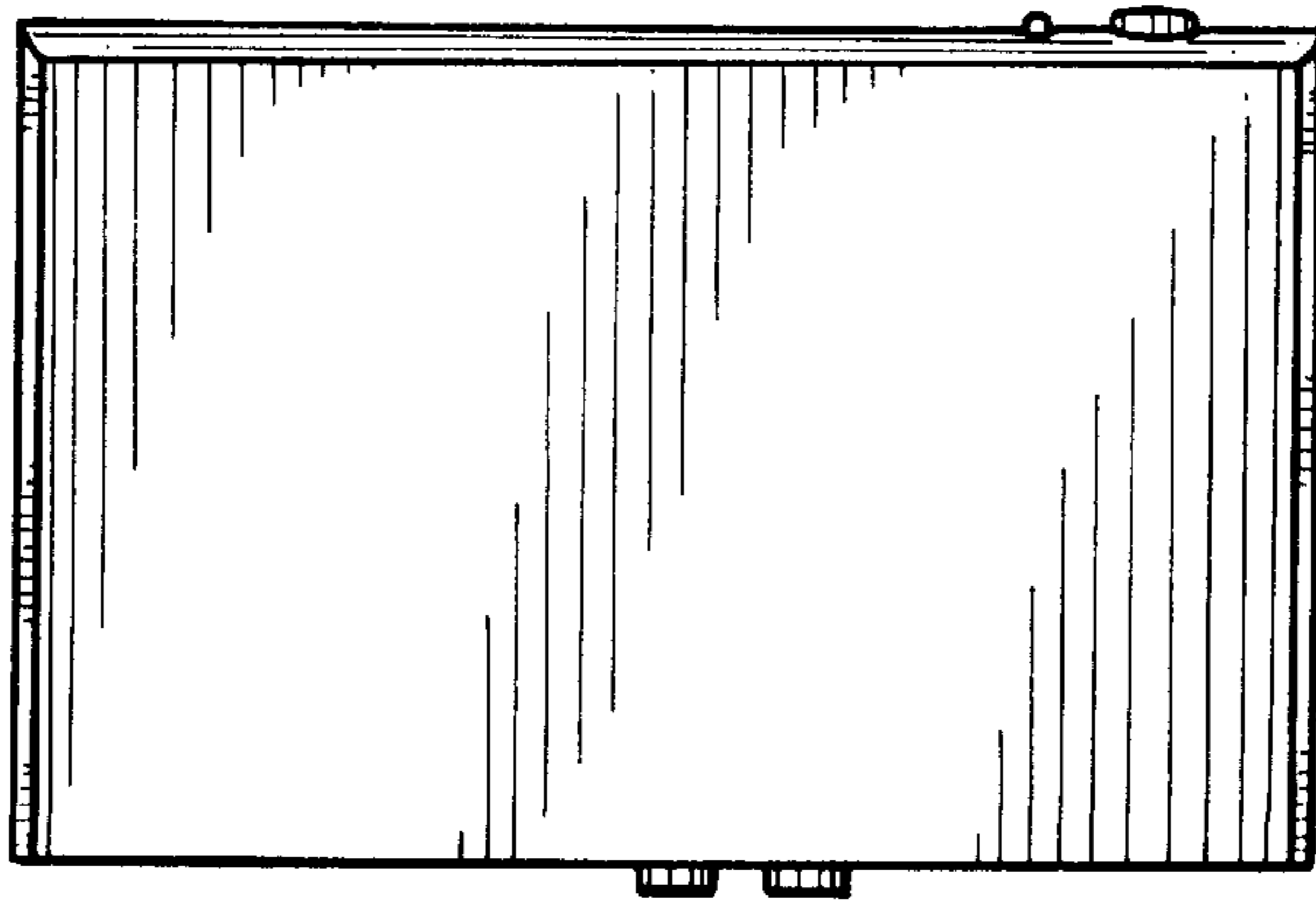


FIG. 5

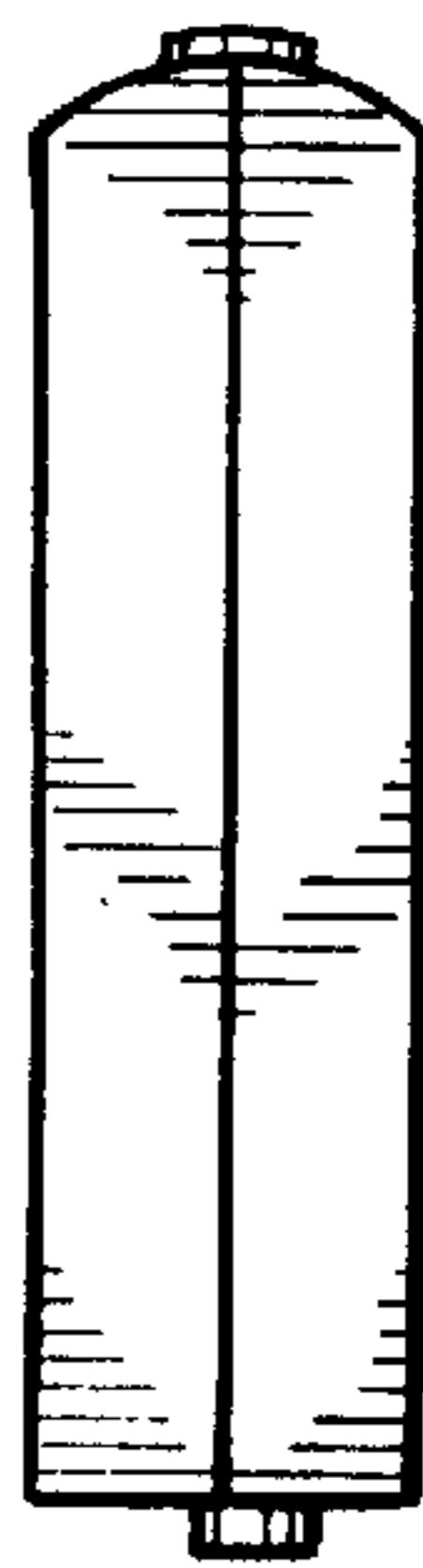


FIG. 6

