



US00D402637S

United States Patent [19]
Carpenter, Jr.

[11] **Patent Number: Des. 402,637**
[45] **Date of Patent: **Dec. 15, 1998**

[54] **TELEPHONE LINE SURGE PROTECTION ASSEMBLY**

5,281,163 1/1994 Knox et al. 439/404
5,324,211 6/1994 Siemon et al. 439/404

[75] Inventor: **Roy B. Carpenter, Jr.**, Boulder, Colo.

Primary Examiner—Joel Sincavage
Attorney, Agent, or Firm—Rick Martin; Patent Law Offices of Rick Martin, P.C.

[73] Assignee: **Lightning Eliminators and Consultants, Inc.**, Boulder, Colo.

[**] Term: **14 Years**

[57] **CLAIM**

[21] Appl. No.: **44,538**

The ornamental design for telephone line surge protection assembly, as shown and described.

[22] Filed: **Sep. 26, 1995**

DESCRIPTION

Related U.S. Application Data

[63] Continuation of Ser. No. 111,872, Aug. 26, 1993.

FIG. 1 is a front elevational view of a telephone line protector assembly showing my new design, the adjacent modules and the mounting plate being omitted for clarity of illustration;

[51] **LOC (6) Cl.** **13-03**

FIG. 2 is a back elevational view thereof;

[52] **U.S. Cl.** **D13/178; D13/147; D14/240**

FIG. 3 is a left side elevational view thereof;

[58] **Field of Search** **D13/133, 146,**

FIG. 4 is a right side elevational view thereof;

D13/147, 151, 178; D14/240; 439/404, 709, 721, 723, 724, 727; 361/111, 118, 823

FIG. 5 is a top plan view thereof;

FIG. 6 is a bottom plan view thereof;

FIG. 7 is a front and upper right perspective view thereof;

FIG. 8 is a front and upper right perspective view of the complete telephone line surge protection assembly;

[56] **References Cited**

U.S. PATENT DOCUMENTS

4,580,864	4/1986	Knickerbocker	339/98
4,591,228	5/1986	Vasseur	339/198 H
4,700,271	10/1987	Iio et al.	361/355
4,846,735	7/1989	Teichler et al.	439/709
4,922,374	5/1990	Mueller et al.	361/119
4,932,051	6/1990	Karen et al.	379/399

FIG. 9 is a front elevational view thereof;

FIG. 10 is a back elevational view thereof;

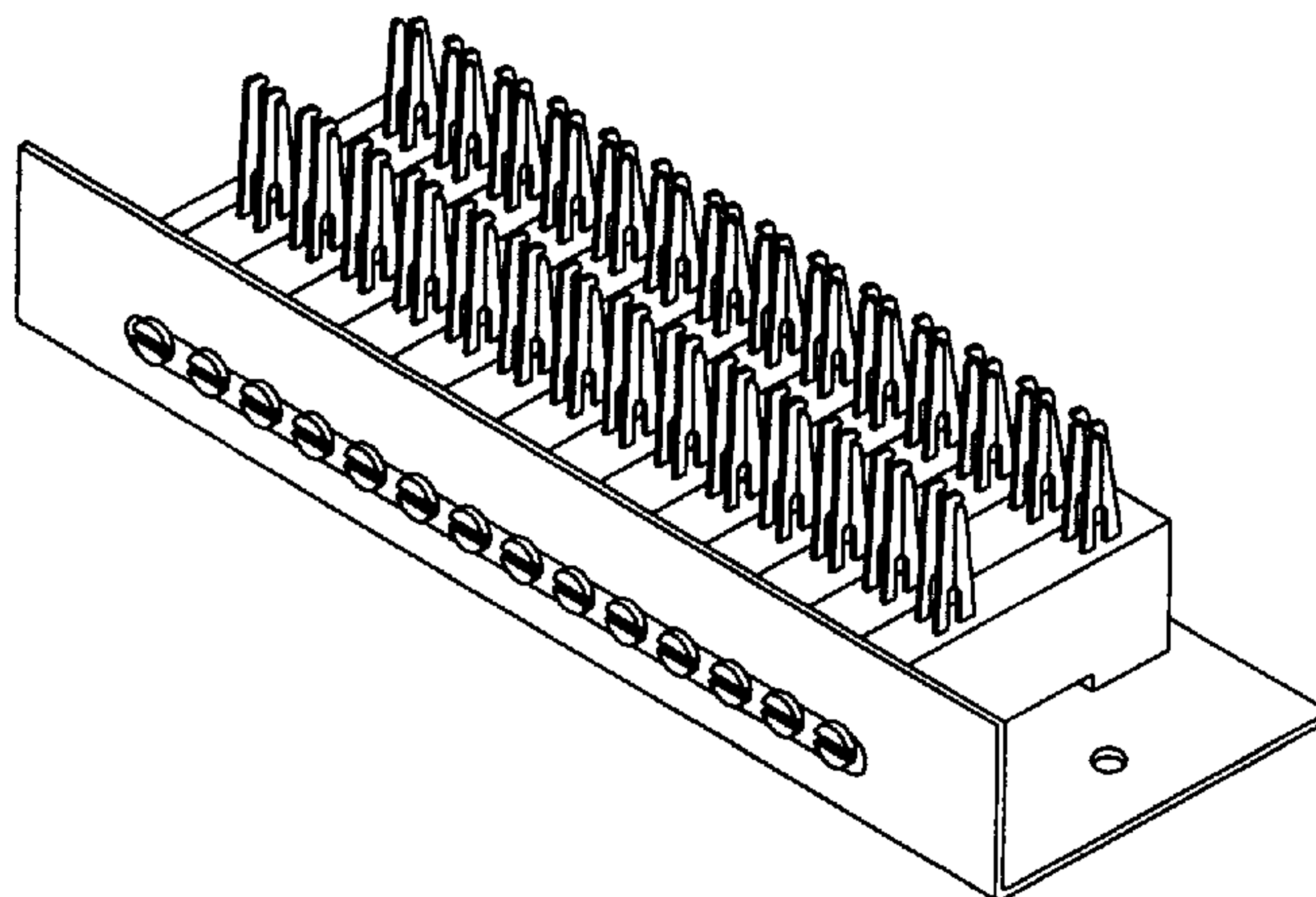
FIG. 11 is a left side elevational view thereof;

FIG. 12 is a right side elevational view thereof;

FIG. 13 is a top plan view thereof; and,

FIG. 14 is a bottom plan view thereof.

1 Claim, 3 Drawing Sheets



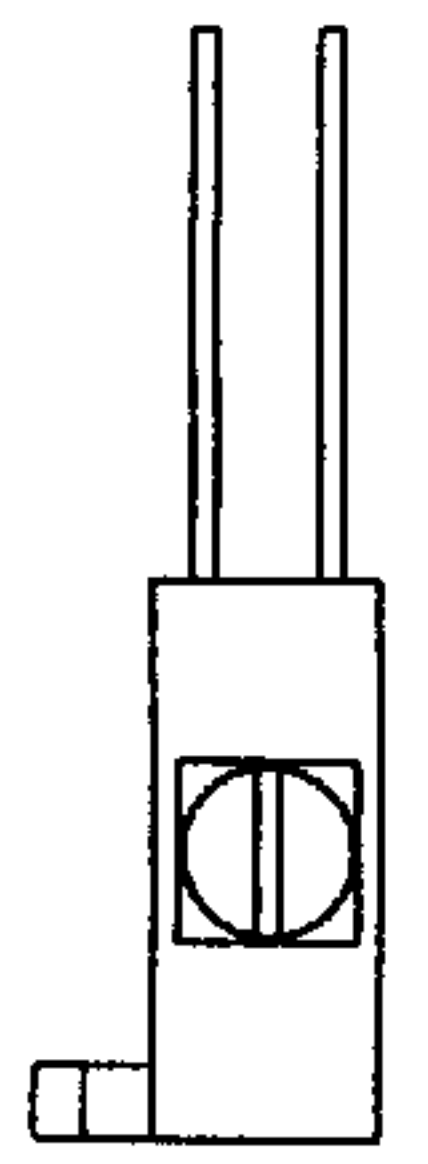


FIG. 1

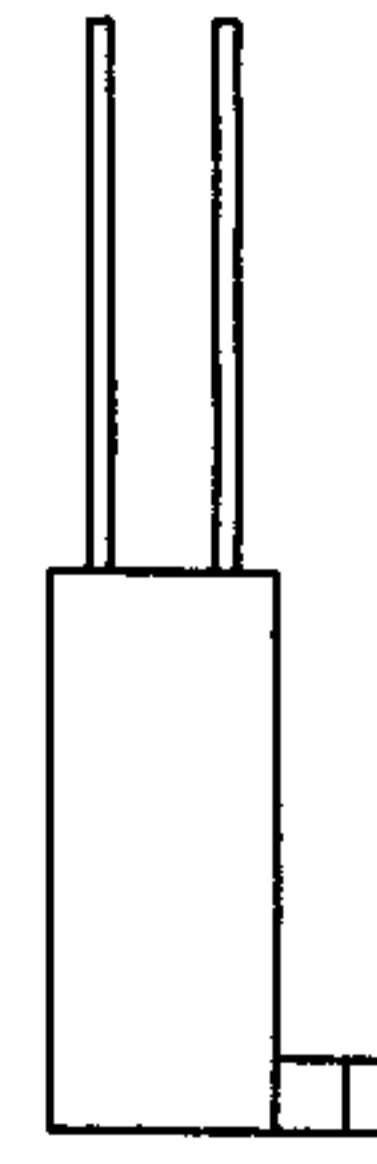


FIG. 2

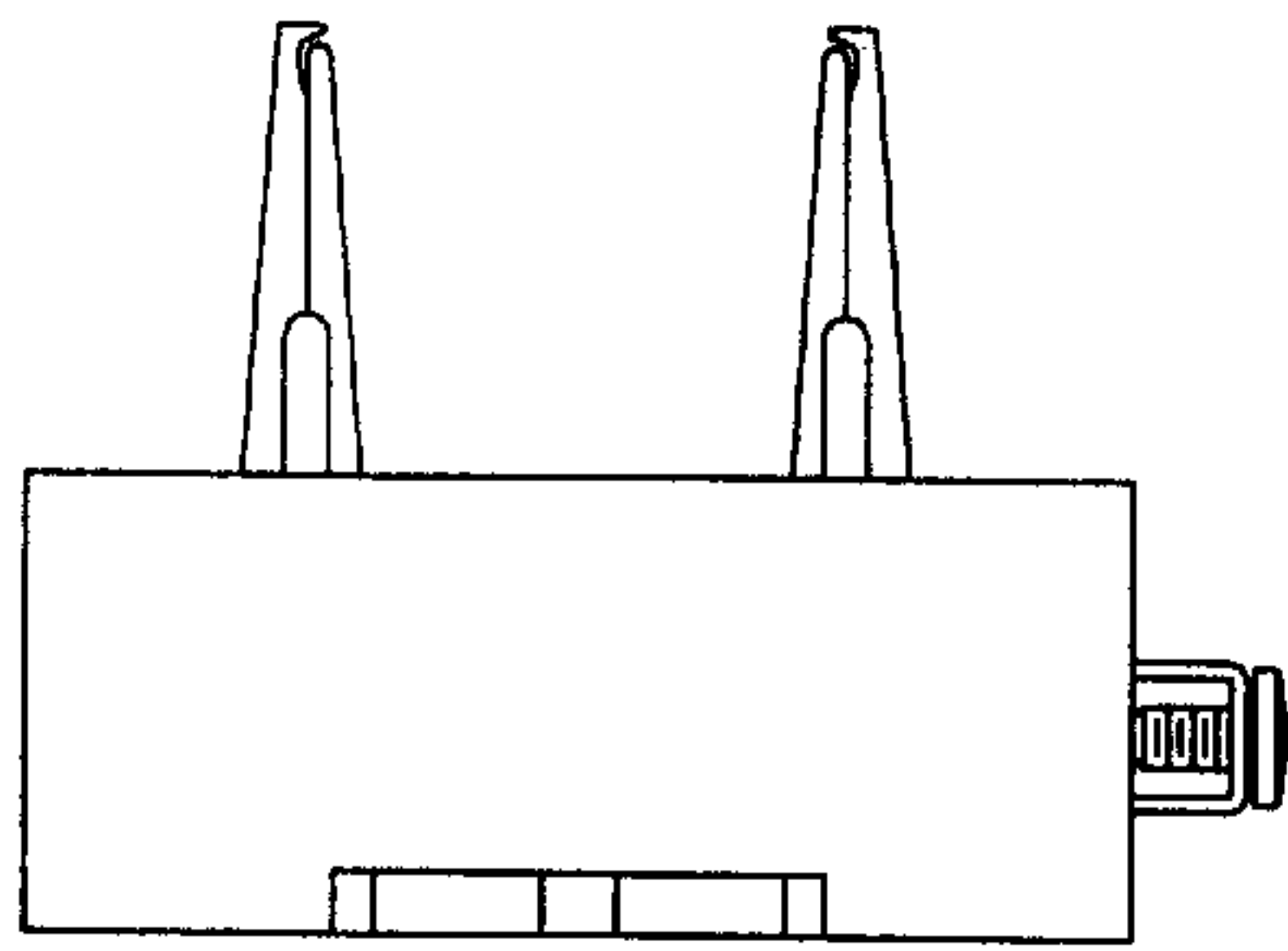


FIG. 3

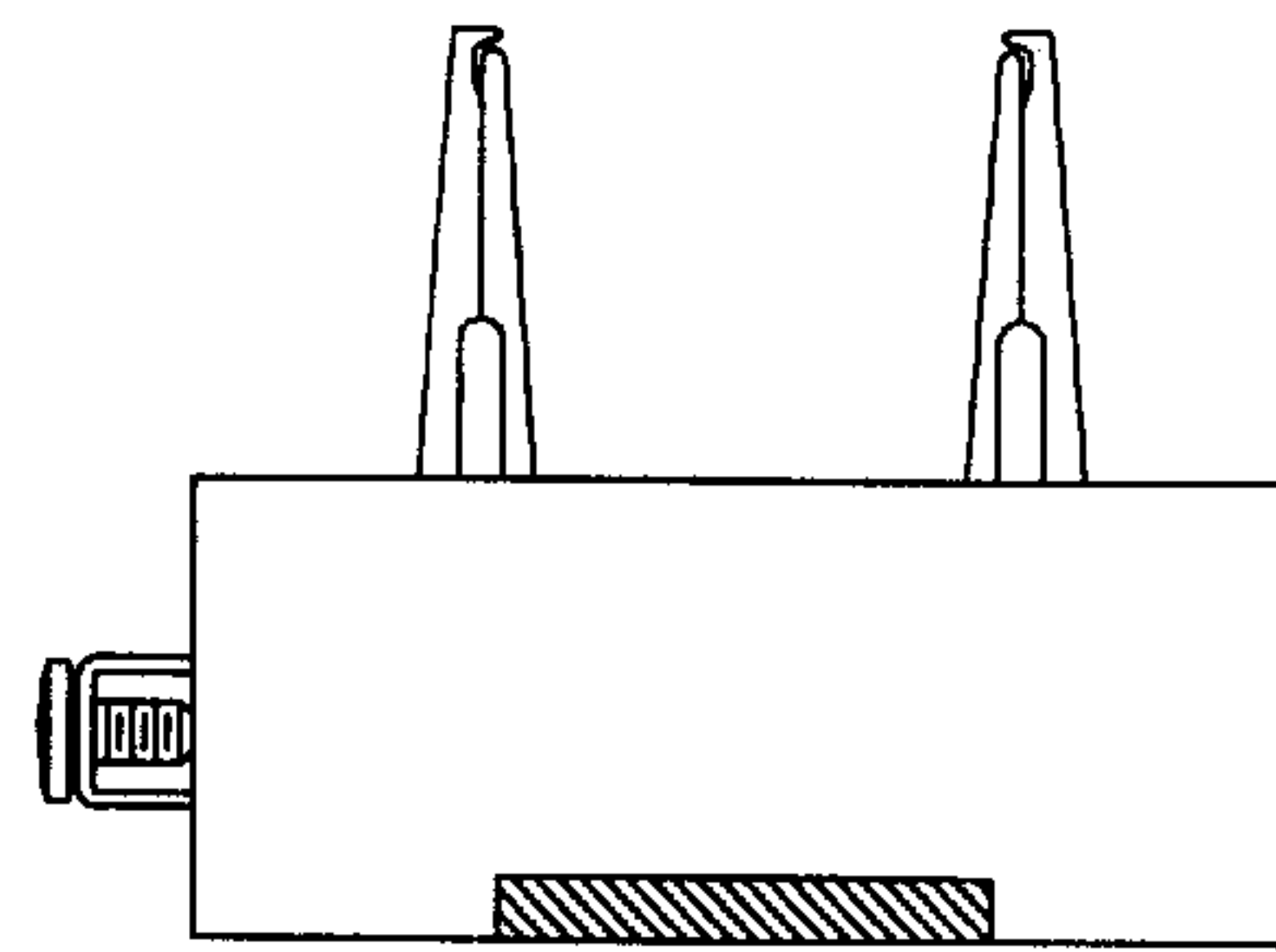


FIG. 4

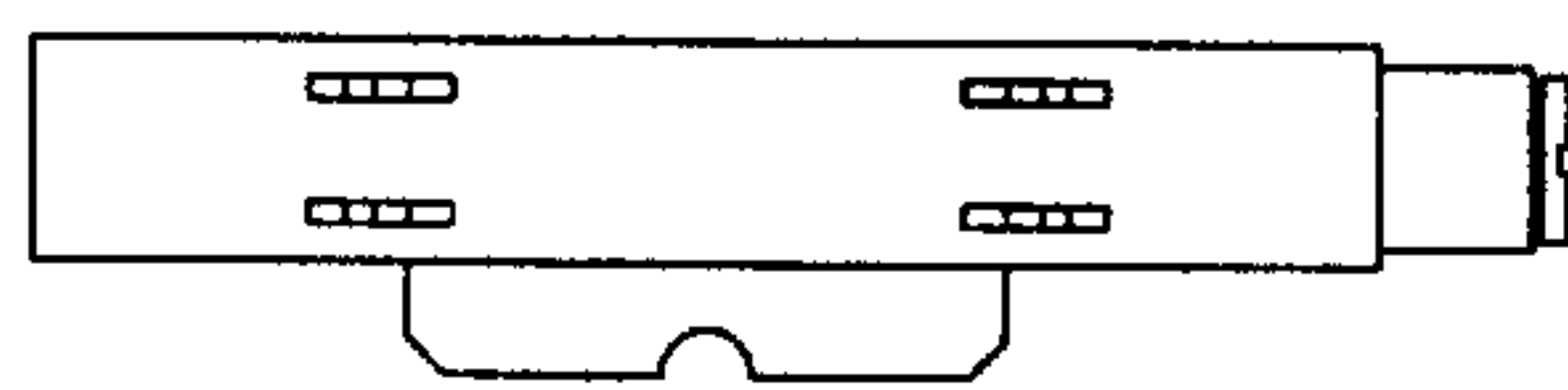


FIG. 5

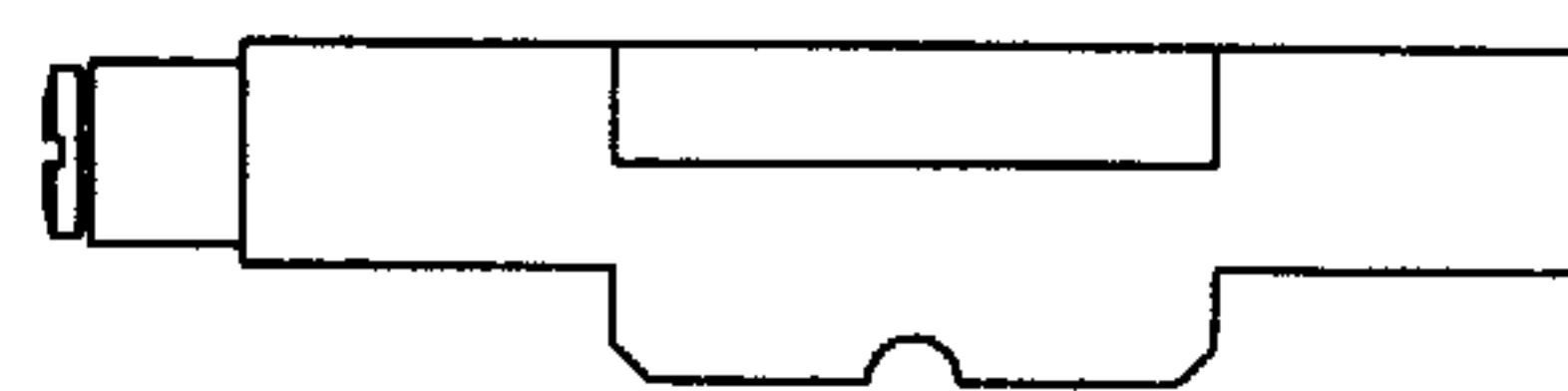


FIG. 6

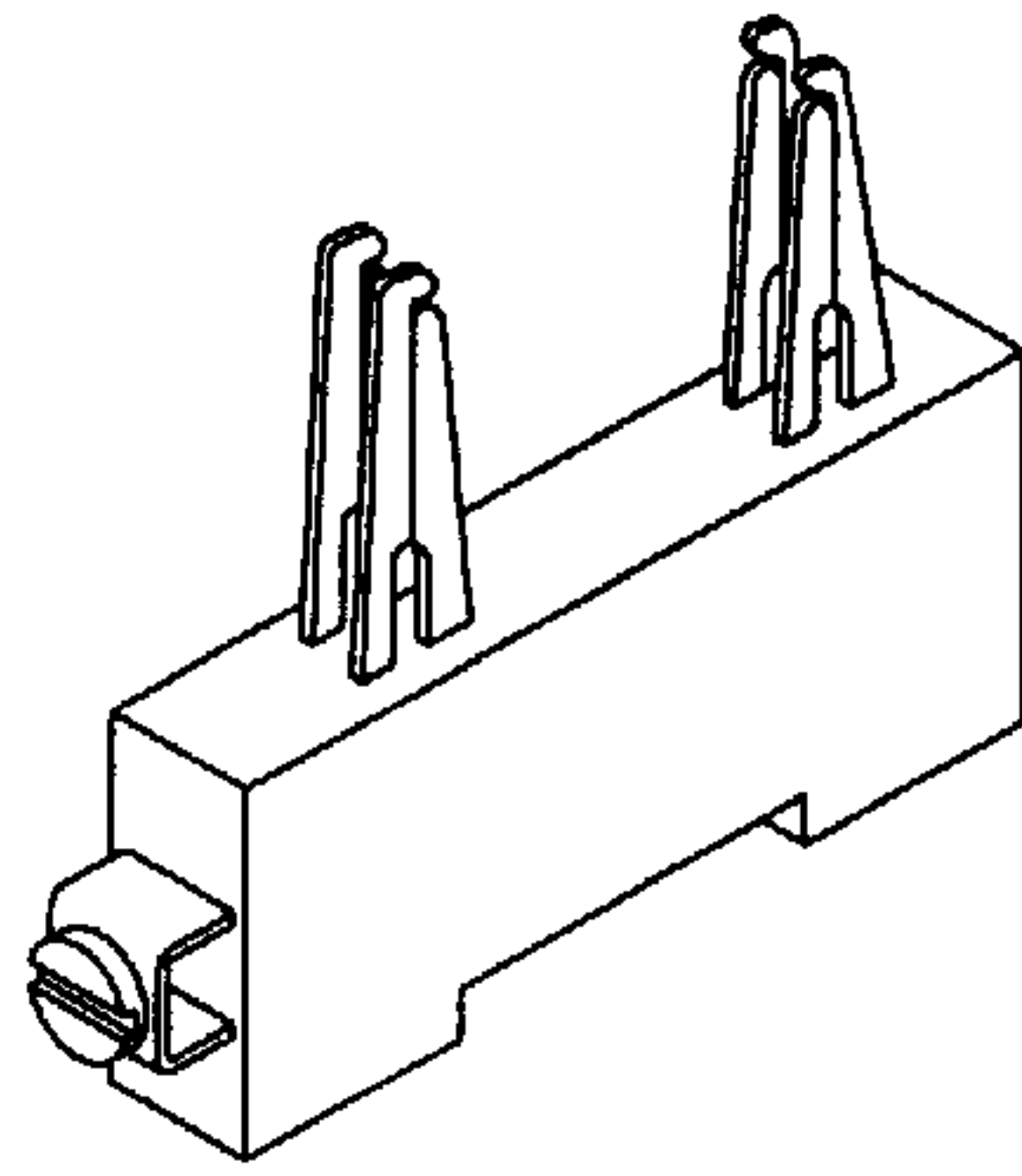


FIG. 7

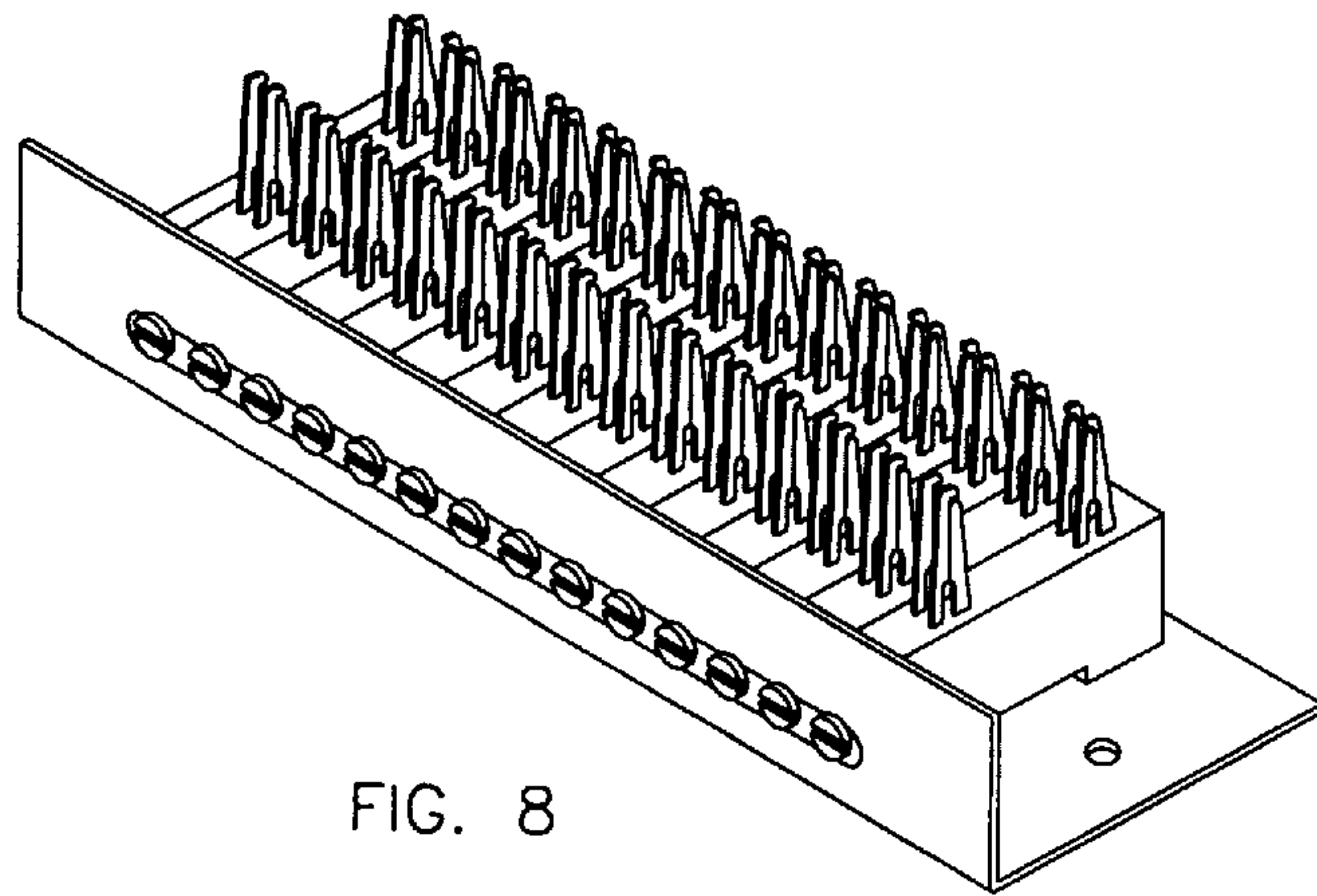


FIG. 8

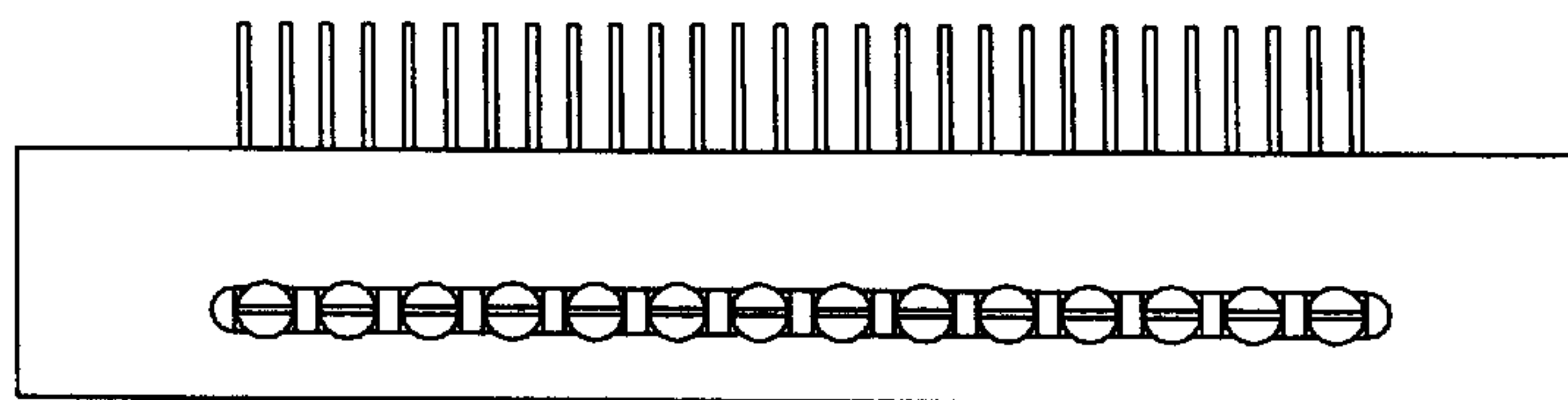


FIG. 9

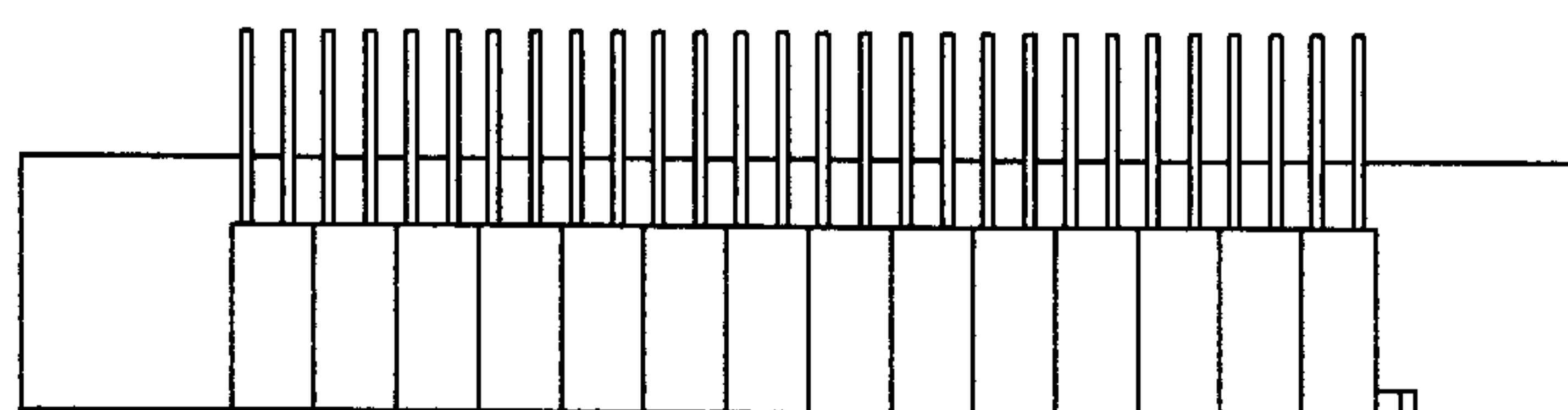


FIG. 10

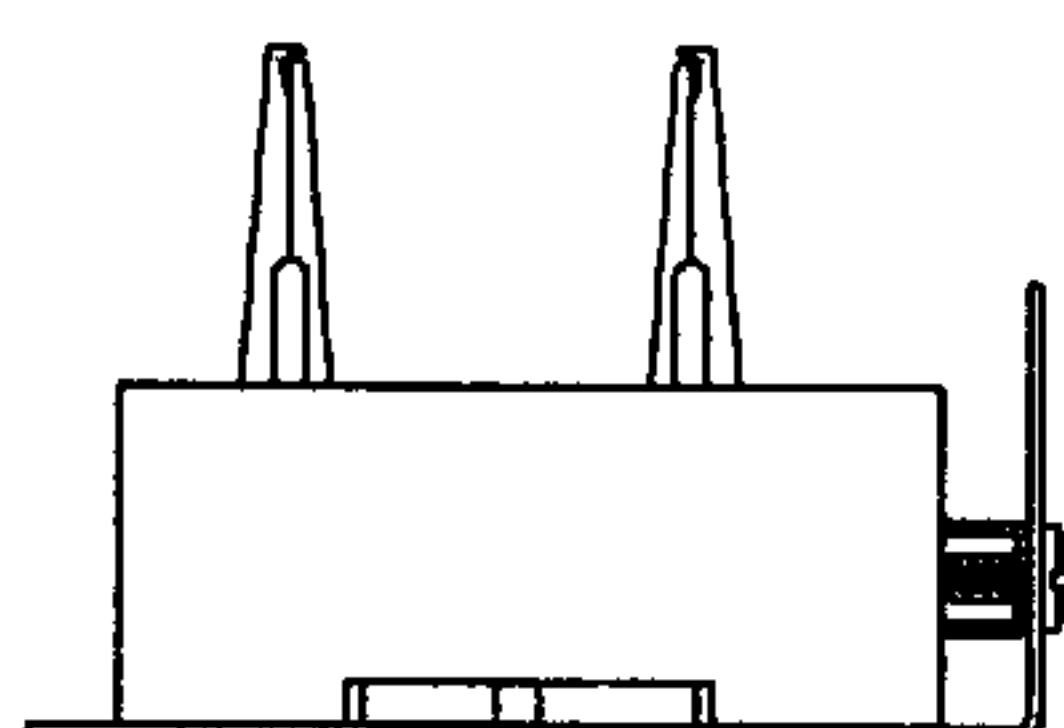


FIG. 11

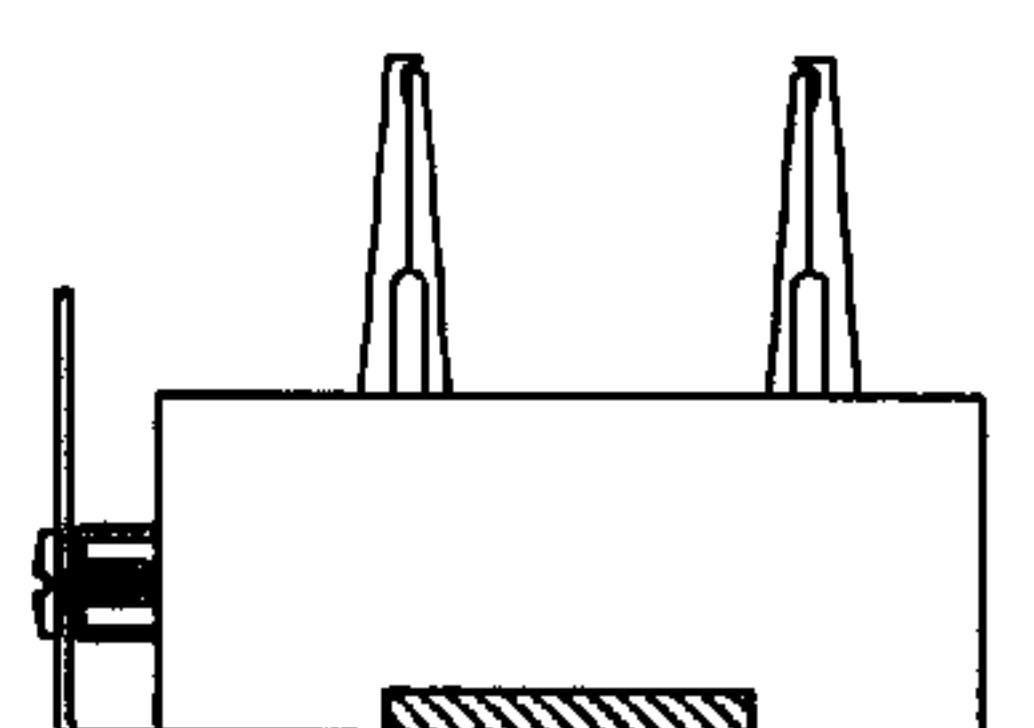


FIG. 12

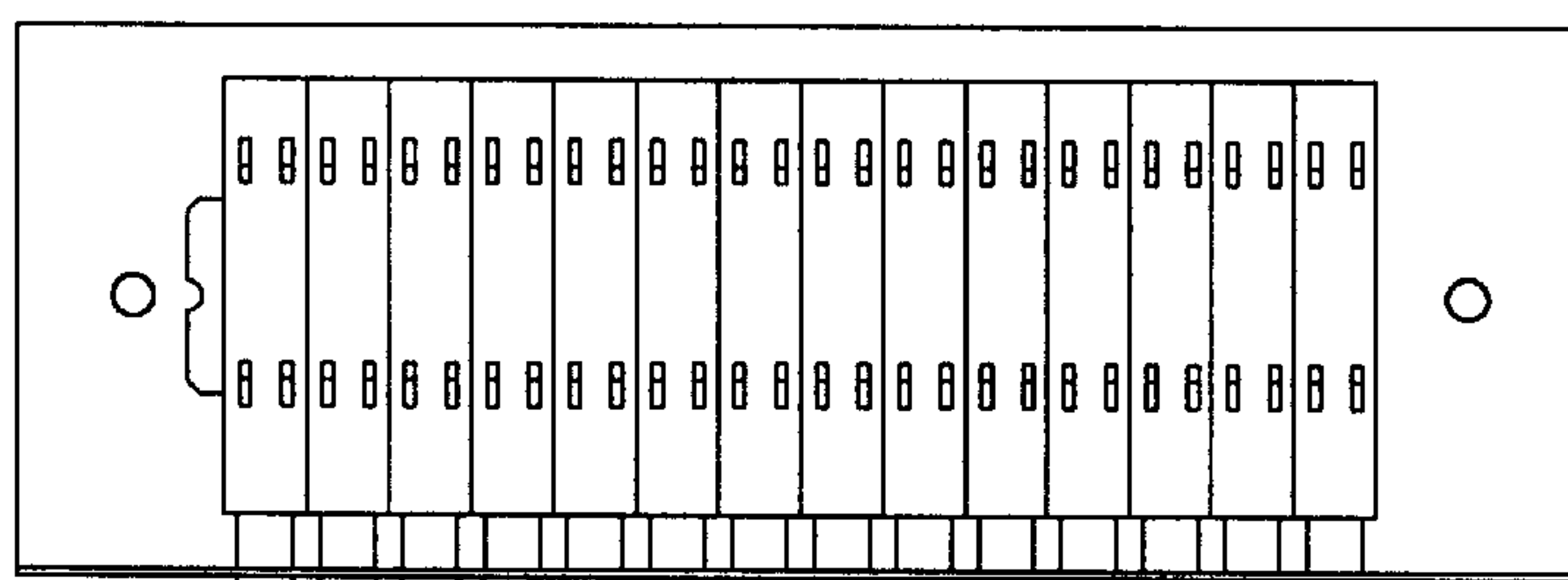


FIG. 13



FIG. 14