



US00D402636S

United States Patent [19]
Taft

[11] **Patent Number: Des. 402,636**

[45] **Date of Patent: **Dec. 15, 1998**

[54] **COMPRESSIBLE DOOR TRACK MAGNET MODULE**

5,646,601 7/1997 Wallace et al. 335/205 X
5,673,021 9/1997 Woods 340/547

[75] Inventor: **Mark S. Taft**, West Linn, Oreg.

Primary Examiner—Brian N. Vinson
Attorney, Agent, or Firm—Stoel Rives LLP

[73] Assignee: **SLC Technologies, Inc.**, Tualatin, Oreg.

[**] Term: **14 Years**

[57] **CLAIM**

I claim the ornamental design for a compressible door track magnet module, as shown and described.

[21] Appl. No.: **70,737**

[22] Filed: **Apr. 8, 1997**

DESCRIPTION

[51] **LOC (6) Cl.** **13-03**

[52] **U.S. Cl.** **D13/173**

[58] **Field of Search** D13/158, 173;
340/547; 335/205, 207

FIG. 1 is a top, front isometric view of a compressible door track magnet module according to my new design;
FIG. 2 is a bottom, front isometric view thereof;
FIG. 3 is an elevational view of either the front or back side thereof;
FIG. 4 is an elevational view of either the right or left side thereof;
FIG. 5 is a top plan view thereof; and,
FIG. 6 is a bottom plan view thereof.

[56] **References Cited**

U.S. PATENT DOCUMENTS

4,211,991 7/1980 Lombard et al. 335/207
5,332,992 7/1994 Woods 340/547
5,612,251 3/1997 Bistekos 335/205 X

1 Claim, 1 Drawing Sheet

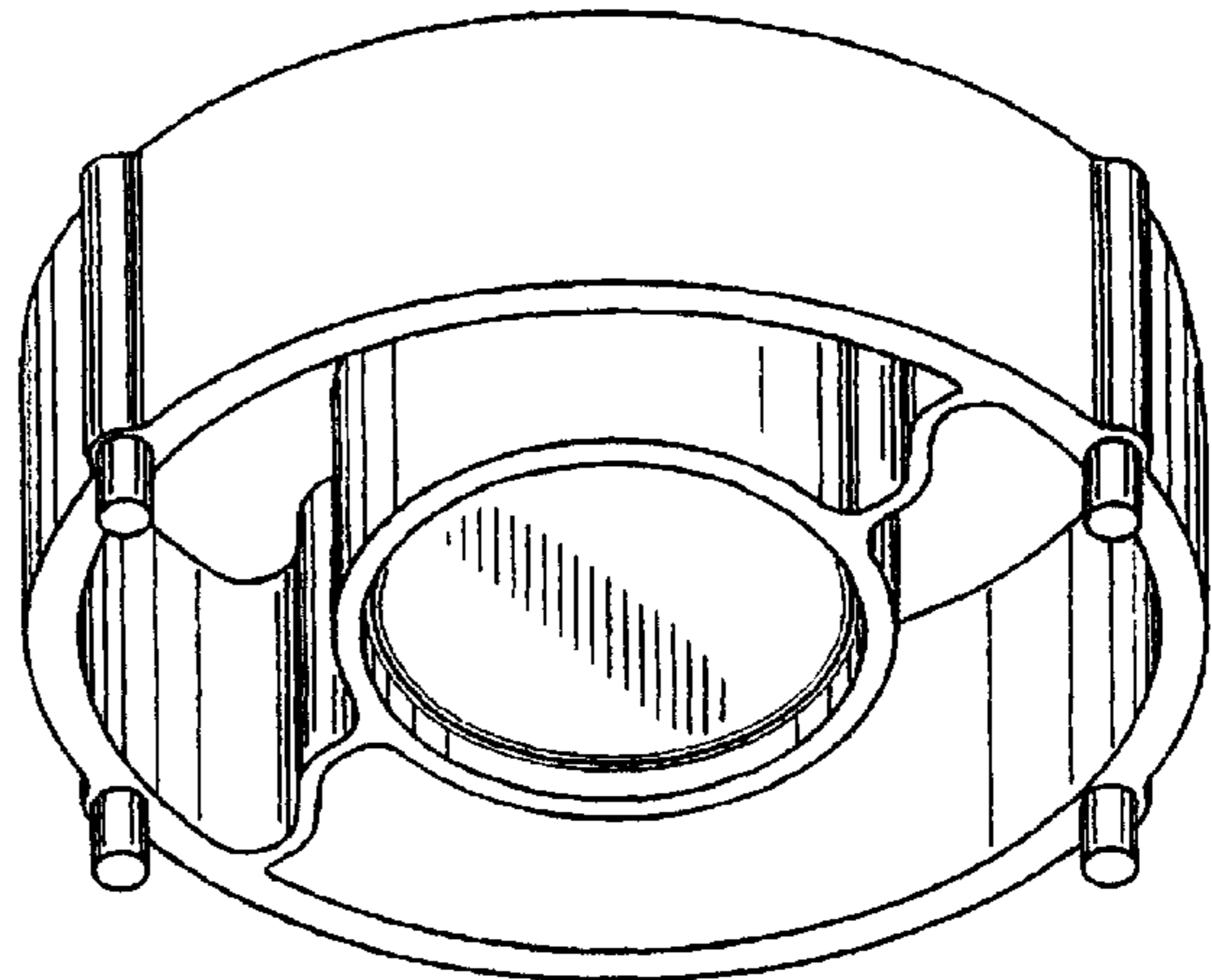
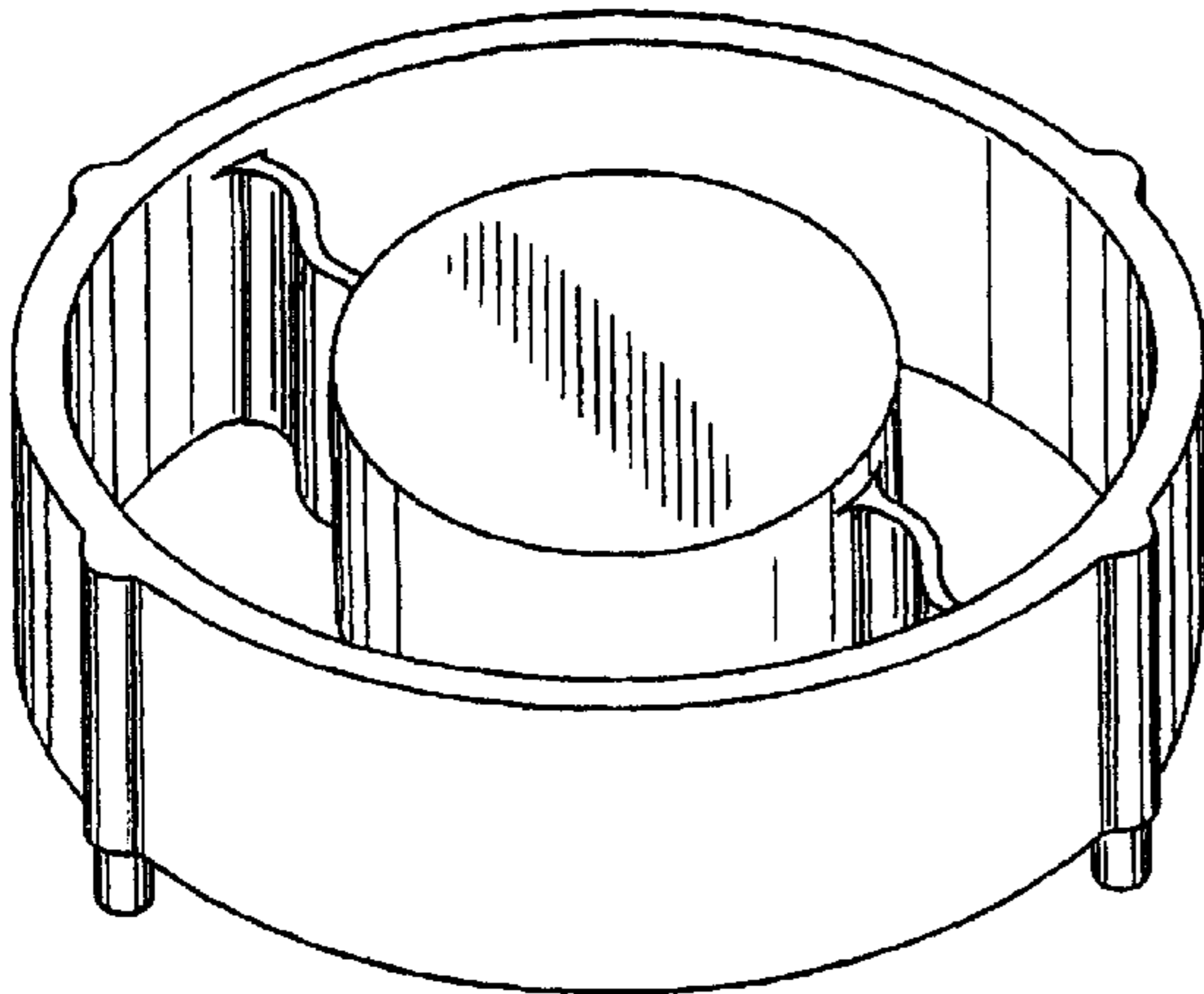


FIG. 1

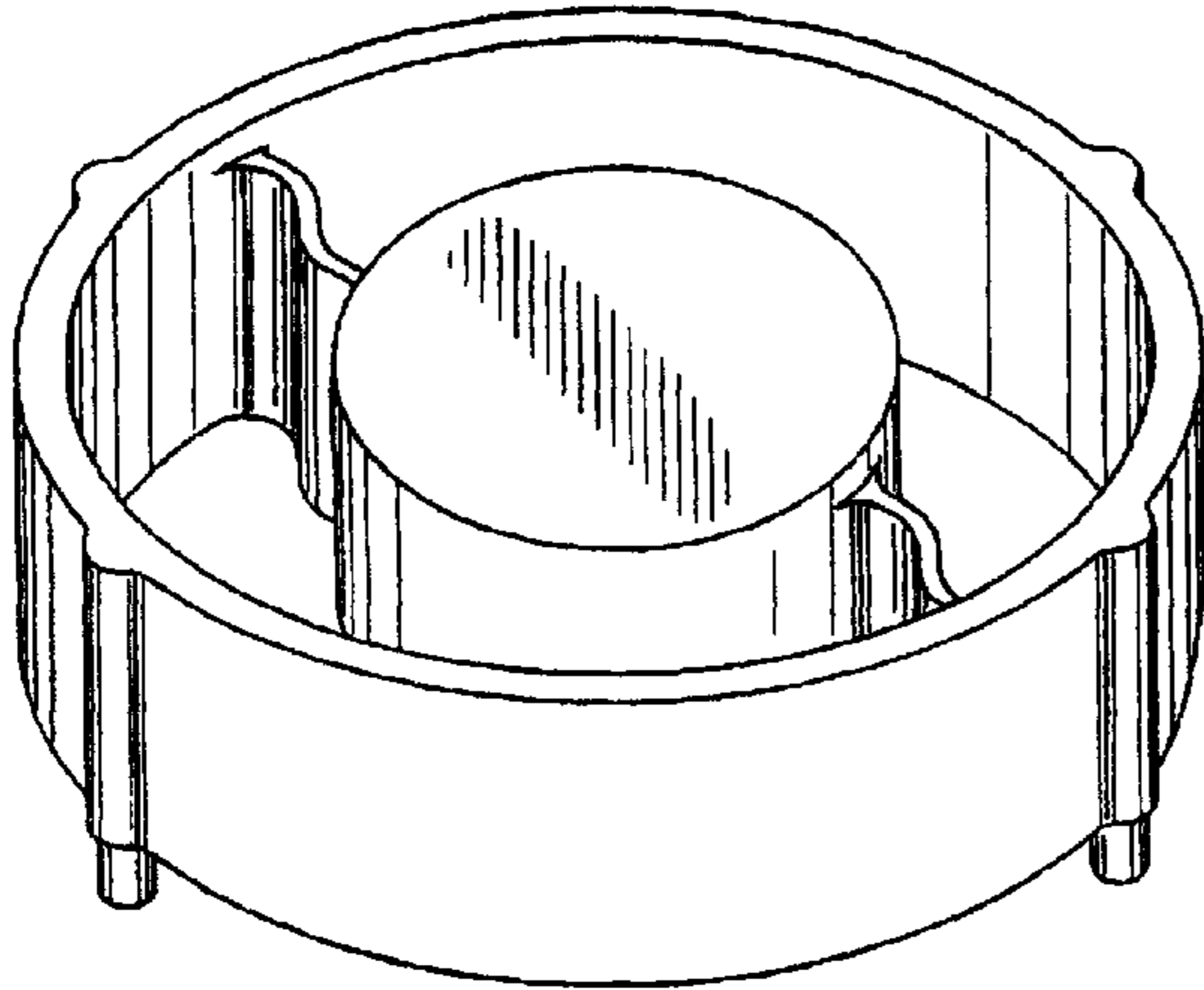


FIG. 2

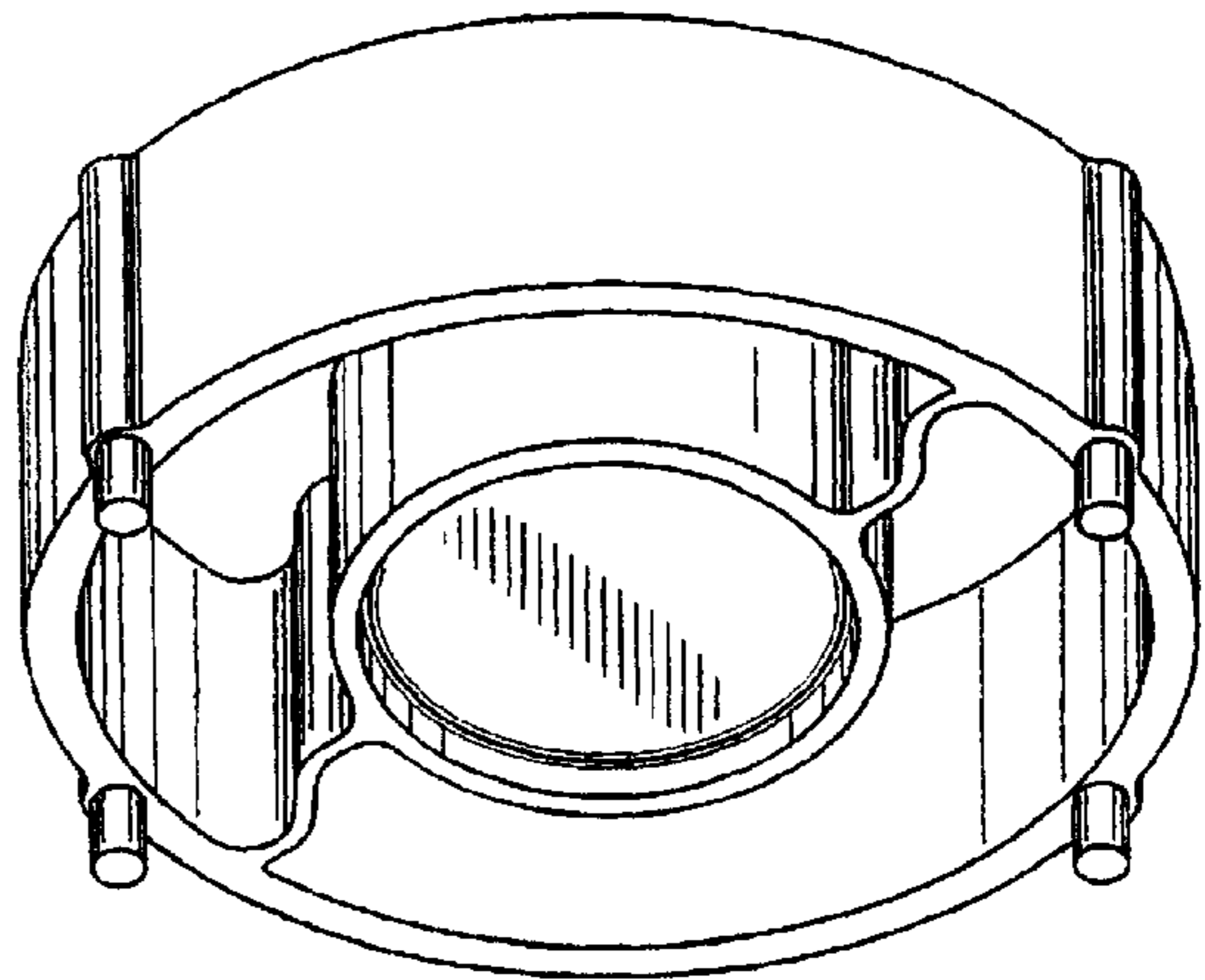


FIG. 3

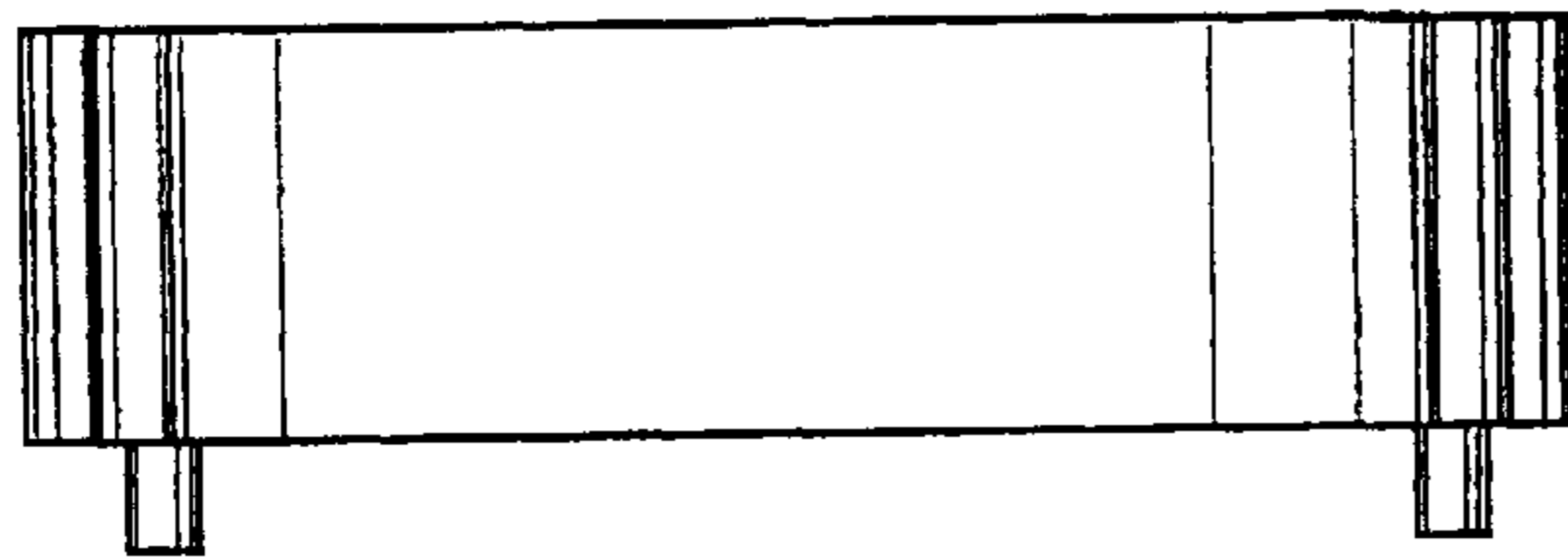


FIG. 4

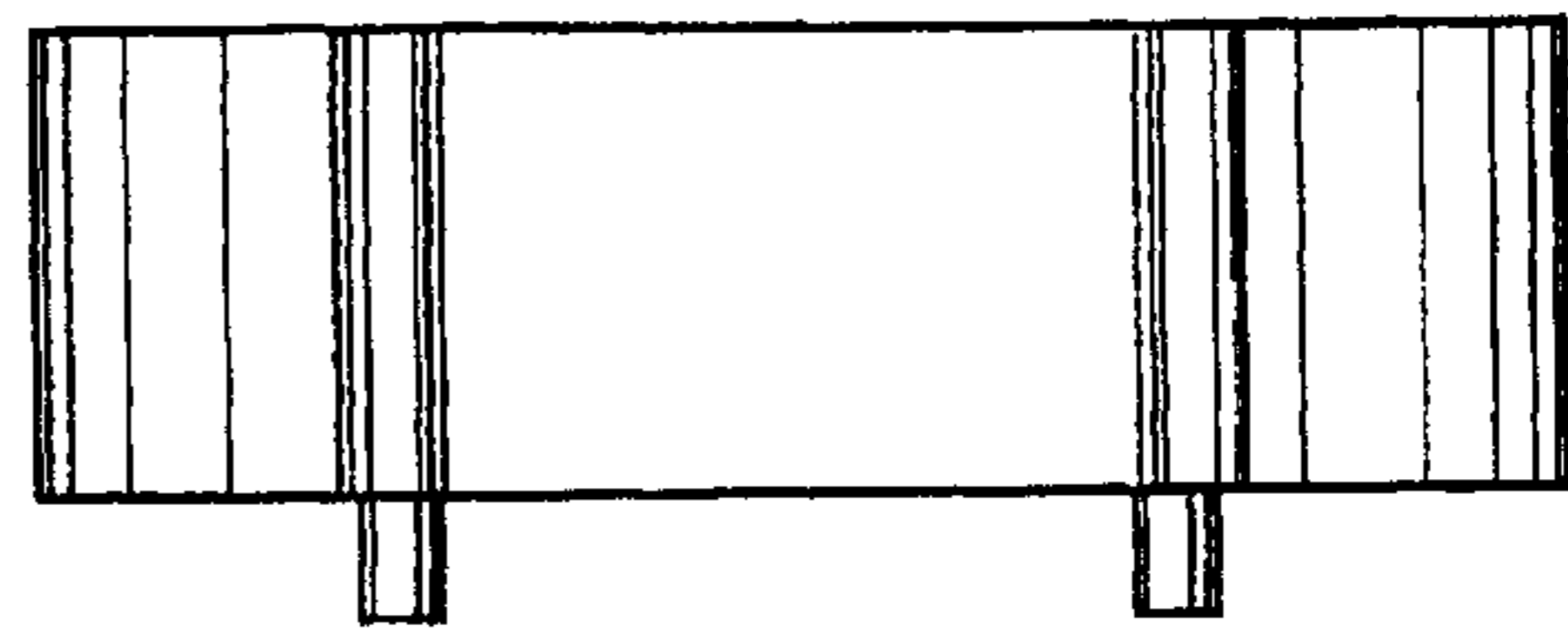


FIG. 5

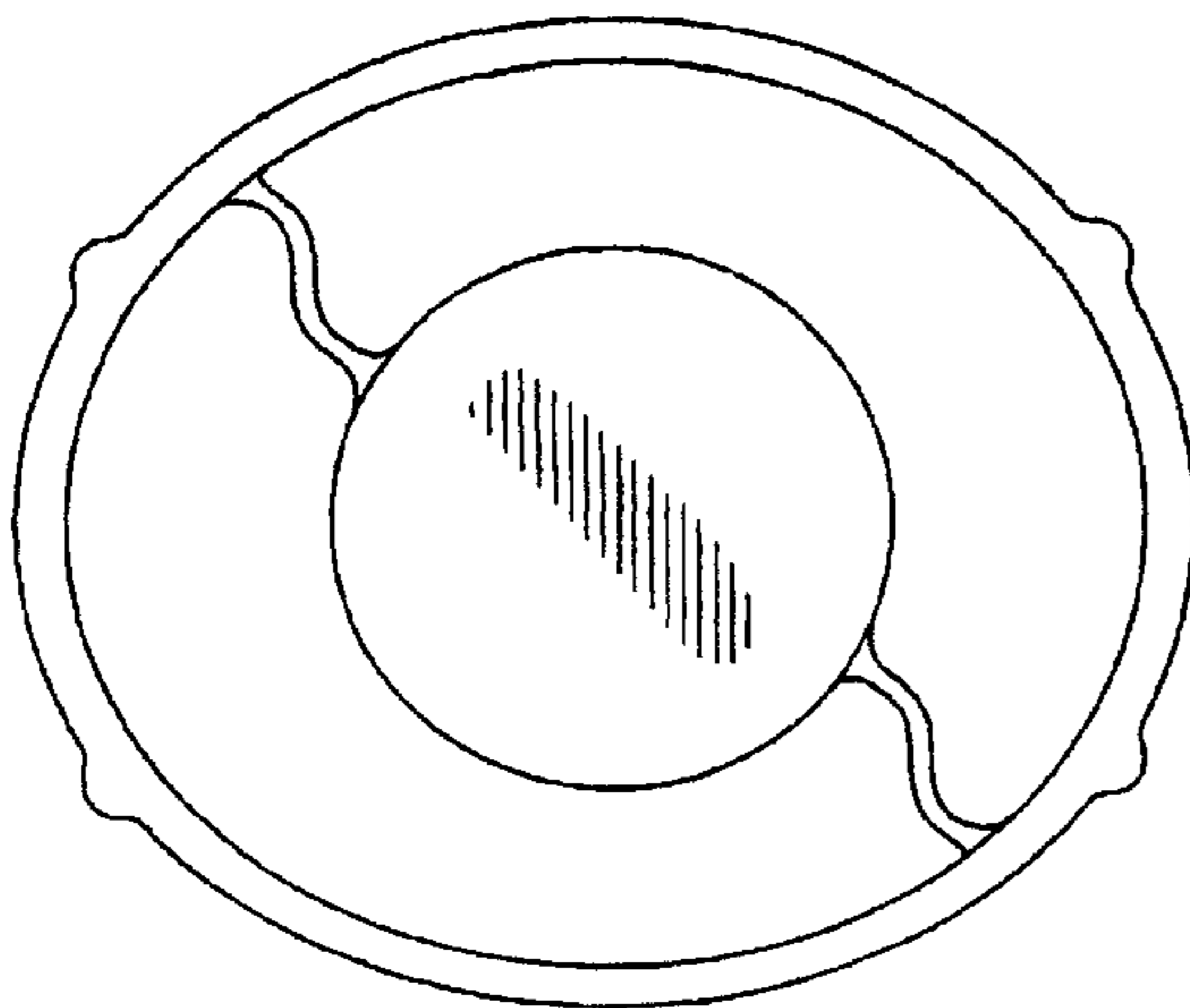


FIG. 6

