



US00D402634S

United States Patent [19] Matsuhashi

[11] **Patent Number: Des. 402,634**

[45] **Date of Patent: **Dec. 15, 1998**

[54] **PUSH-SWITCH WITH A CORD**

[75] Inventor: **Akira Matsuhashi**, Tachikawa, Japan

[73] Assignee: **Metrol Co., Ltd.**, Tachikawa, Japan

[**] Term: **14 Years**

[21] Appl. No.: **67,492**

[22] Filed: **Mar. 10, 1997**

[51] **LOC (6) Cl.** **13-03**

[52] **U.S. Cl.** **D13/158; D13/171**

[58] **Field of Search** D13/158, 171,
D13/173, 174; 200/293, 314, 341, 520

[56] **References Cited**

U.S. PATENT DOCUMENTS

D. 138,161	6/1944	Lynn	D13/158 X
D. 313,974	1/1991	Meller	D13/171 X
D. 377,337	1/1997	Schaeffer	D13/171
D. 384,647	10/1997	Kopser	D13/171
D. 392,621	3/1998	Regidor	D13/171 X

2,420,768 5/1947 Beveridge, Jr. D13/171 X
5,134,259 7/1992 Page, Jr. 200/341 X

Primary Examiner—Brian N. Vinson
Attorney, Agent, or Firm—Kenesaka & Takeuchi

[57] **CLAIM**

The ornamental design for a push-switch with a cord, as shown and described.

DESCRIPTION

FIG. 1 is a top plan view of a push-switch with a cord showing my new design, the bottom plan view being identical to the top plan view;
FIG. 2 is a front view thereof, the rear view being symmetrical to the front view;
FIG. 3 is a left side view thereof;
FIG. 4 is a right side view thereof; and,
FIG. 5 is a magnified cross sectional view taken along line 5—5 in FIG. 1, wherein an inner structure of the push-switch with a cord is omitted.

1 Claim, 1 Drawing Sheet

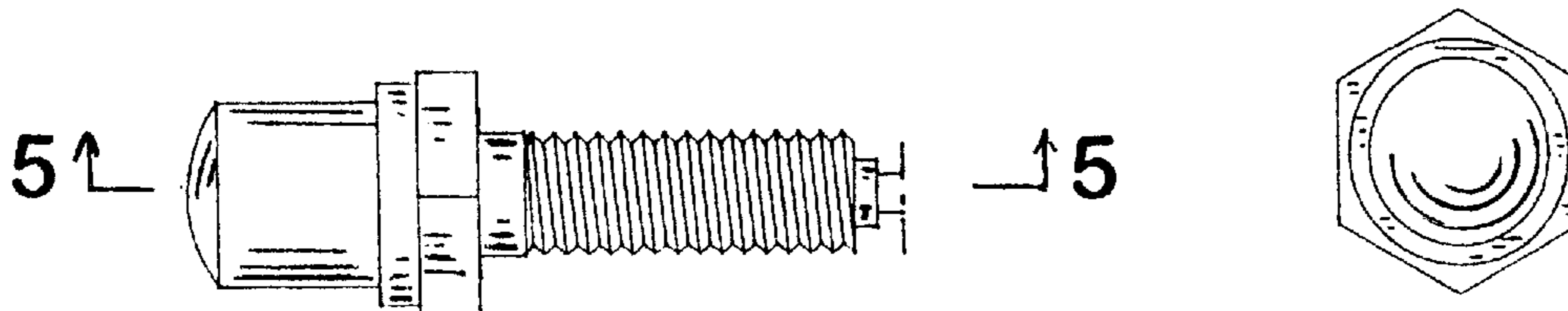


FIG. 1

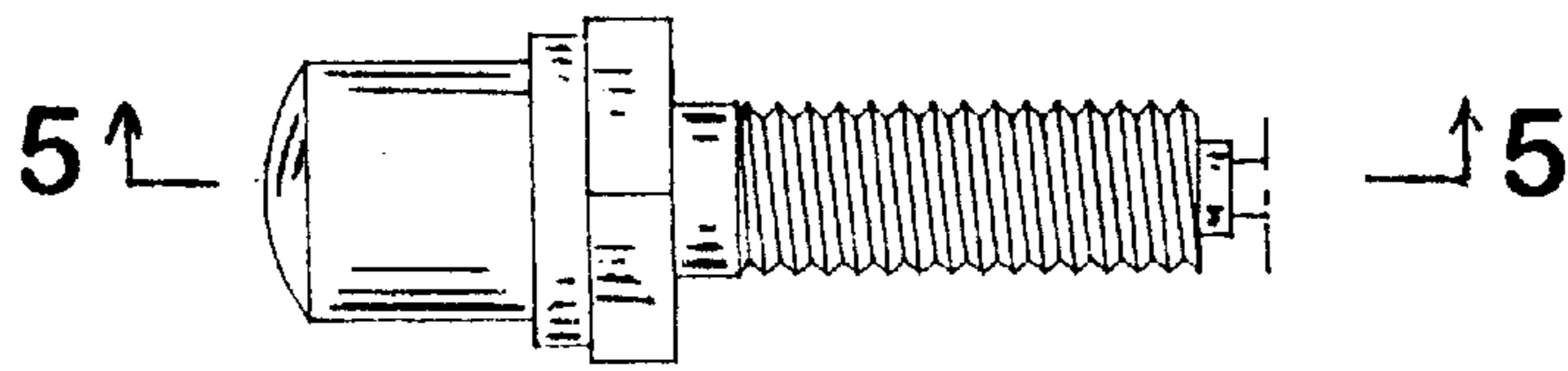


FIG. 2

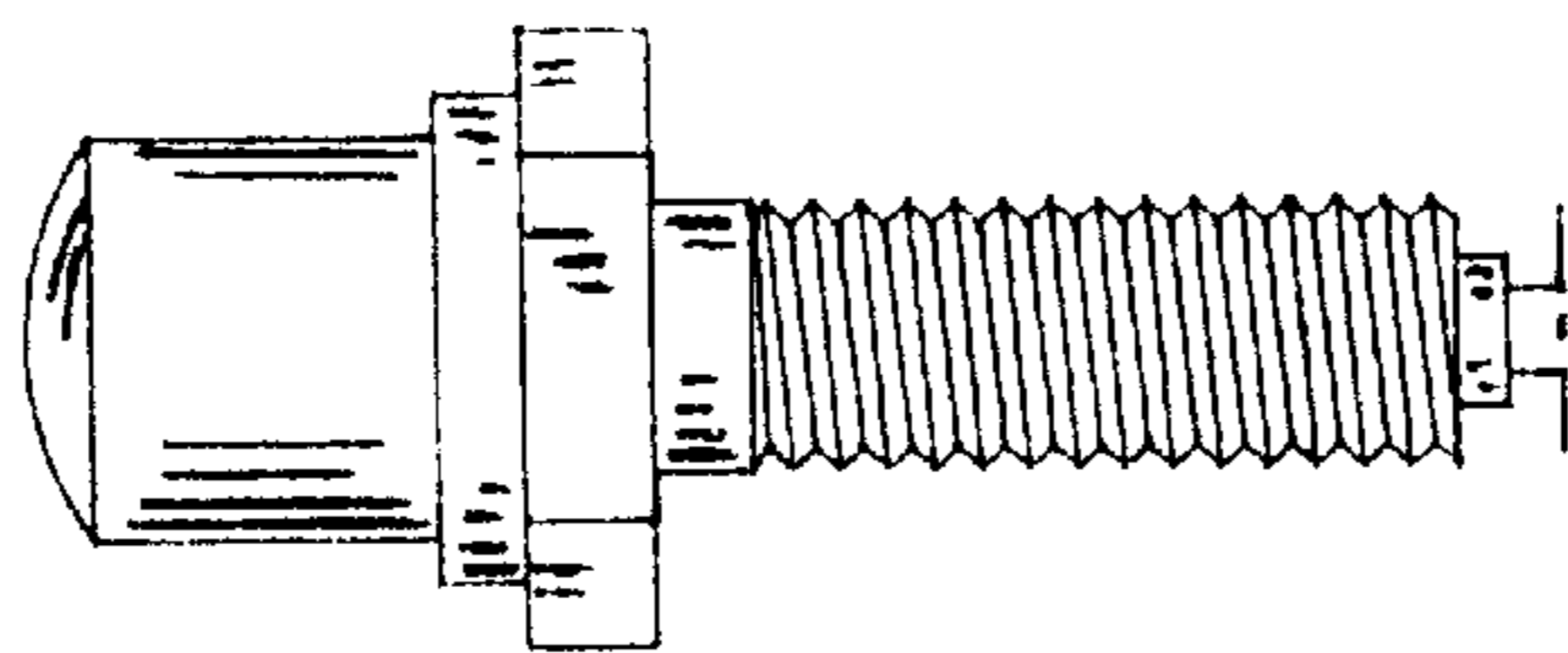


FIG. 3

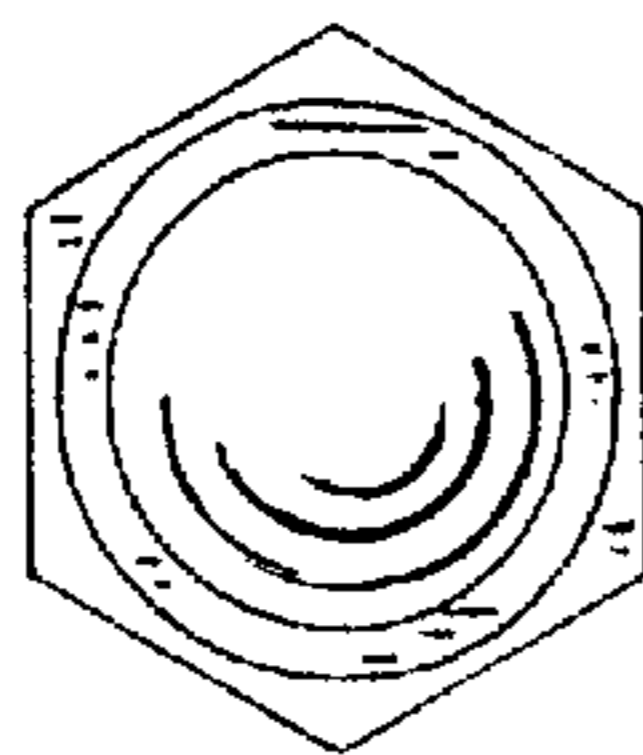


FIG. 4

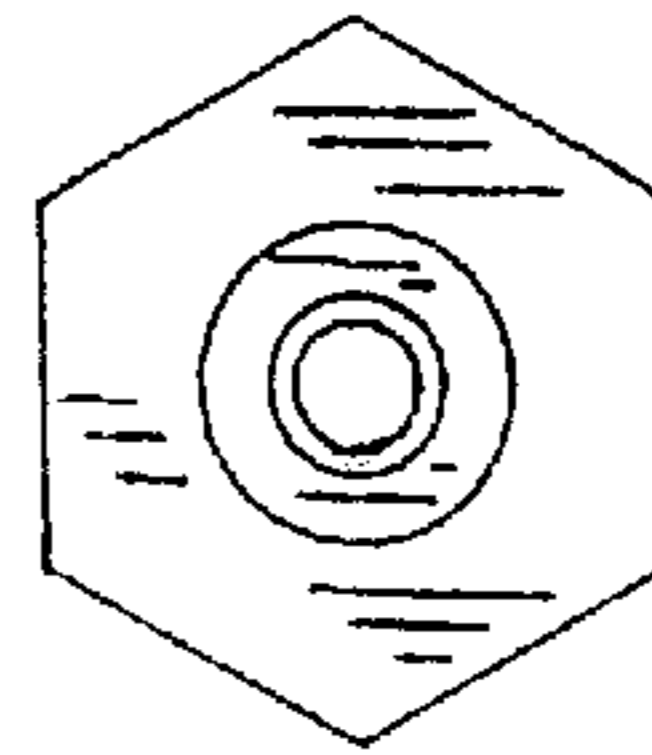


FIG. 5

