

US00D402633S

United States Patent [19] Wirth

[11] **Patent Number: Des. 402,633**

[45] **Date of Patent: **Dec. 15, 1998**

[54] **BATTERY DISCONNECT SWITCH**

2,156,024 4/1939 O'Brien 200/337 X
3,103,130 9/1963 Gunter, Sr. 220/337 X

[75] Inventor: **Steven E. Wirth**, Bloomington, Minn.

Primary Examiner—Brian N. Vinson
Attorney, Agent, or Firm—Roger W. Jensen

[73] Assignee: **WirthCo Engineering, Inc.**,
Bloomington, Minn.

[**] Term: **14 Years**

[57] **CLAIM**

The ornamental design for a battery disconnect switch, as shown and described.

[21] Appl. No.: **78,835**

[22] Filed: **Nov. 6, 1997**

DESCRIPTION

[51] **LOC (6) Cl.** **13-03**

[52] **U.S. Cl.** **D13/158**

[58] **Field of Search** D13/158, 160;
200/48 KB, 330, 331, 335, 337

FIG. 1 is a top view of a battery disconnect switch showing my new design;
FIG. 2 is a left end elevational view thereof;
FIG. 3 is a front elevational view thereof;
FIG. 4 is a right end elevational view thereof;
FIG. 5 is a rear elevational view thereof;
FIG. 6 is a bottom view thereof; and,
FIG. 7 is a top perspective view thereof.

[56] **References Cited**

U.S. PATENT DOCUMENTS

D. 299,822 2/1989 Constable et al. D13/158 X
D. 331,041 11/1992 Fountain D13/158 X

1 Claim, 2 Drawing Sheets

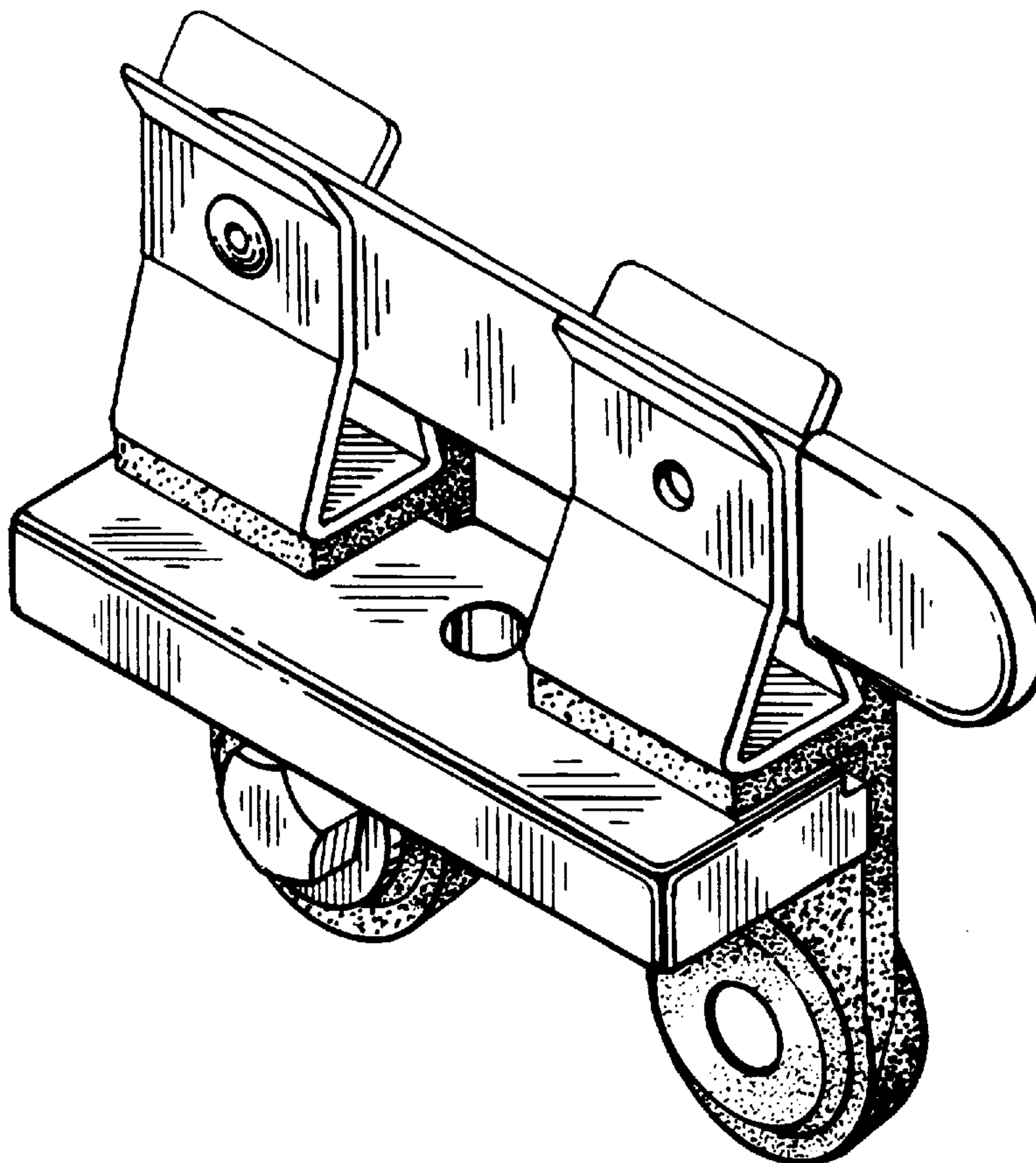


FIG. 1

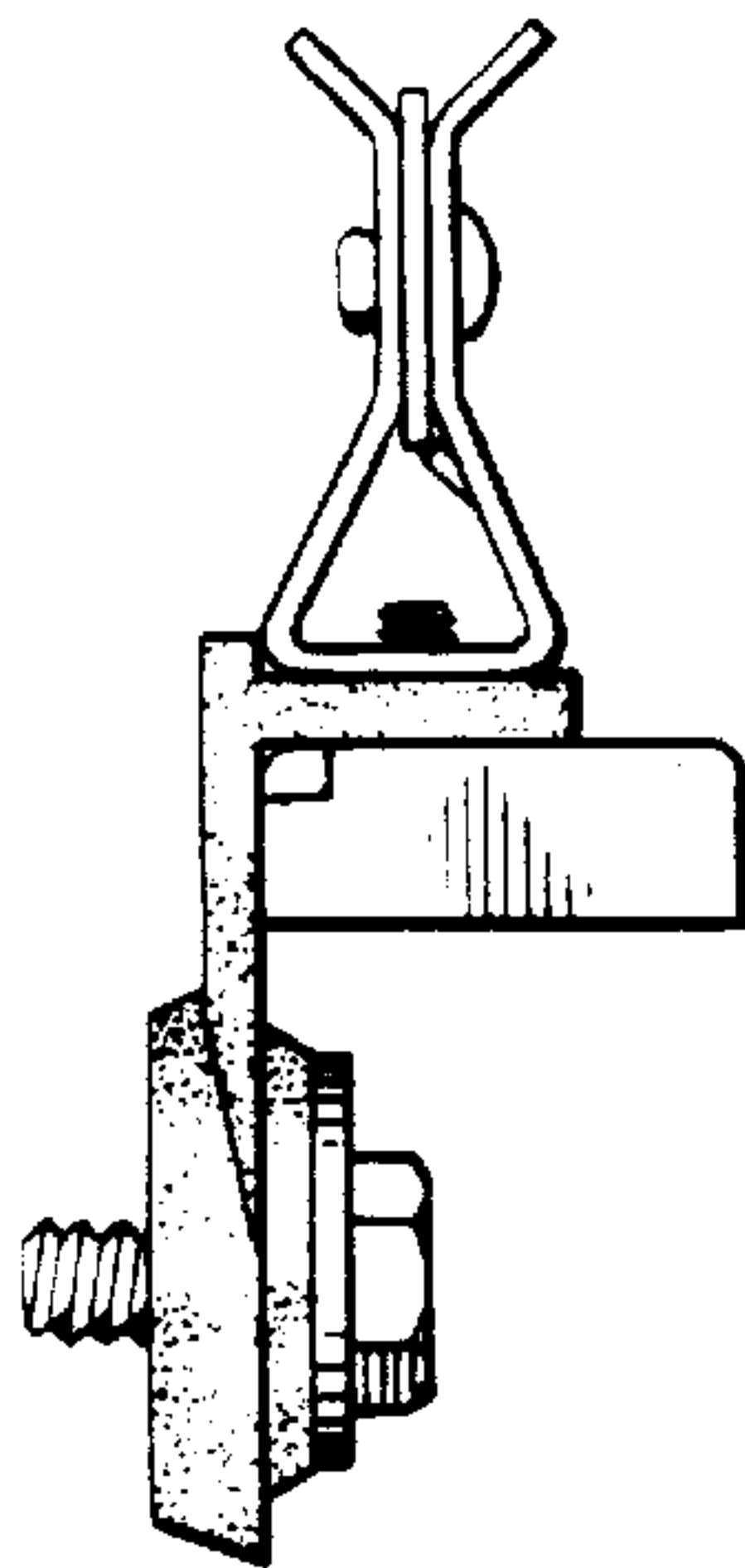
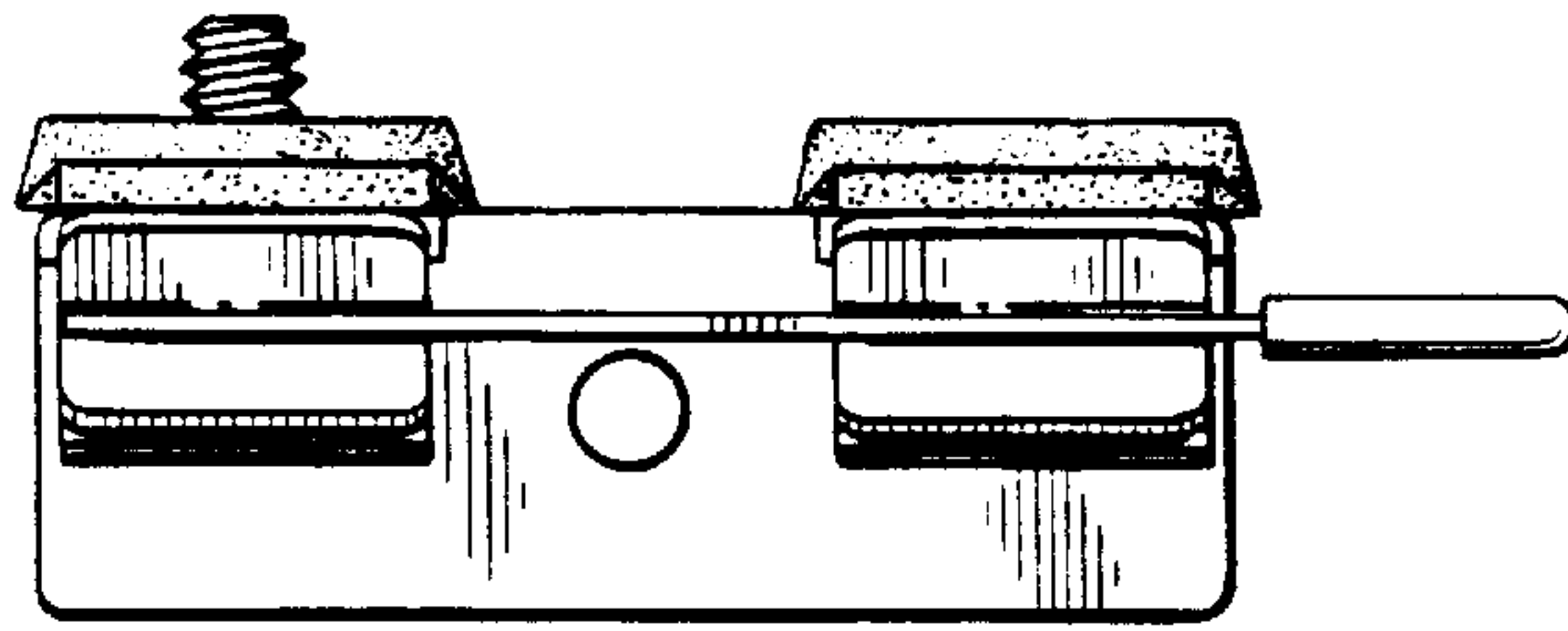


FIG. 2

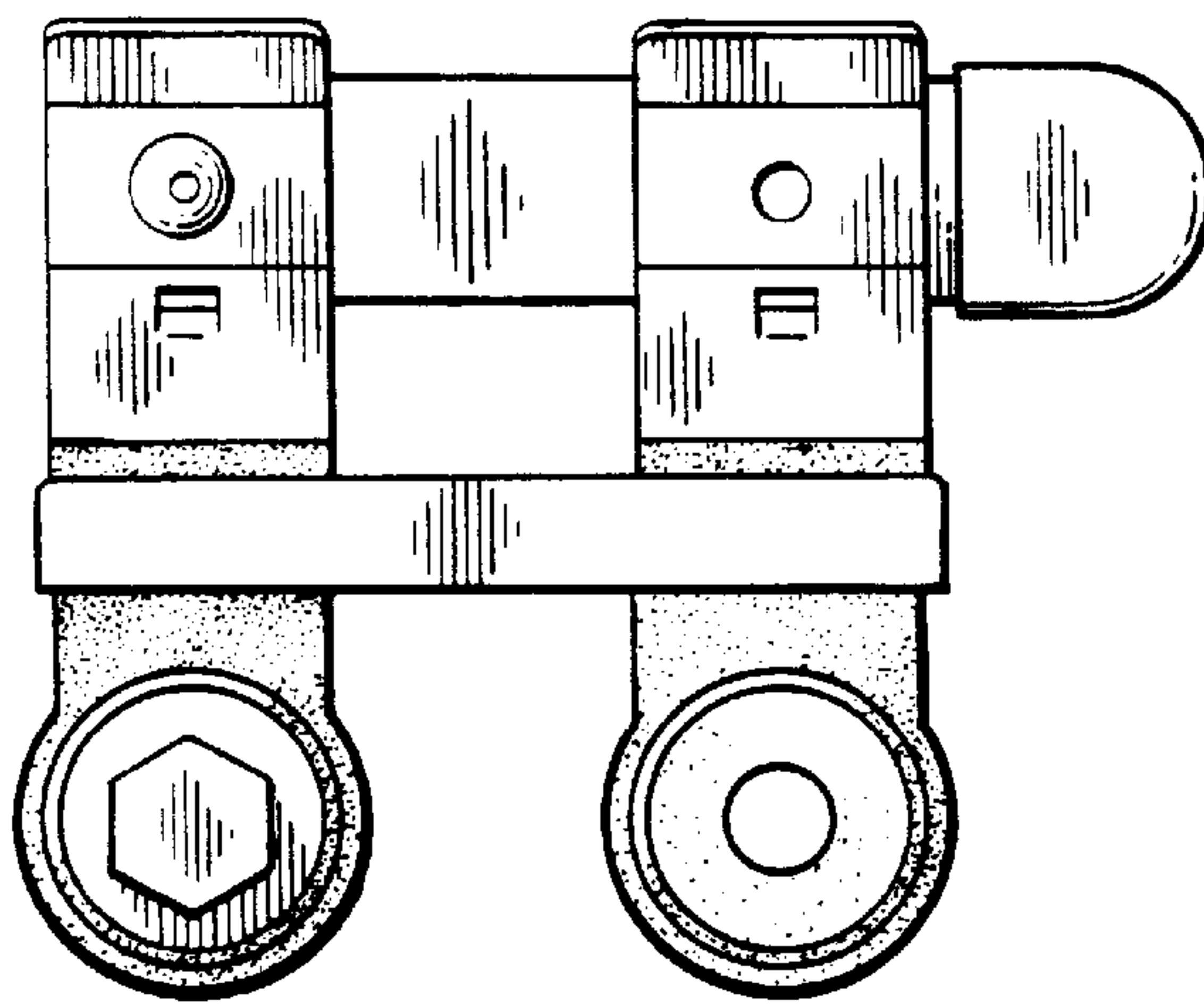


FIG. 3

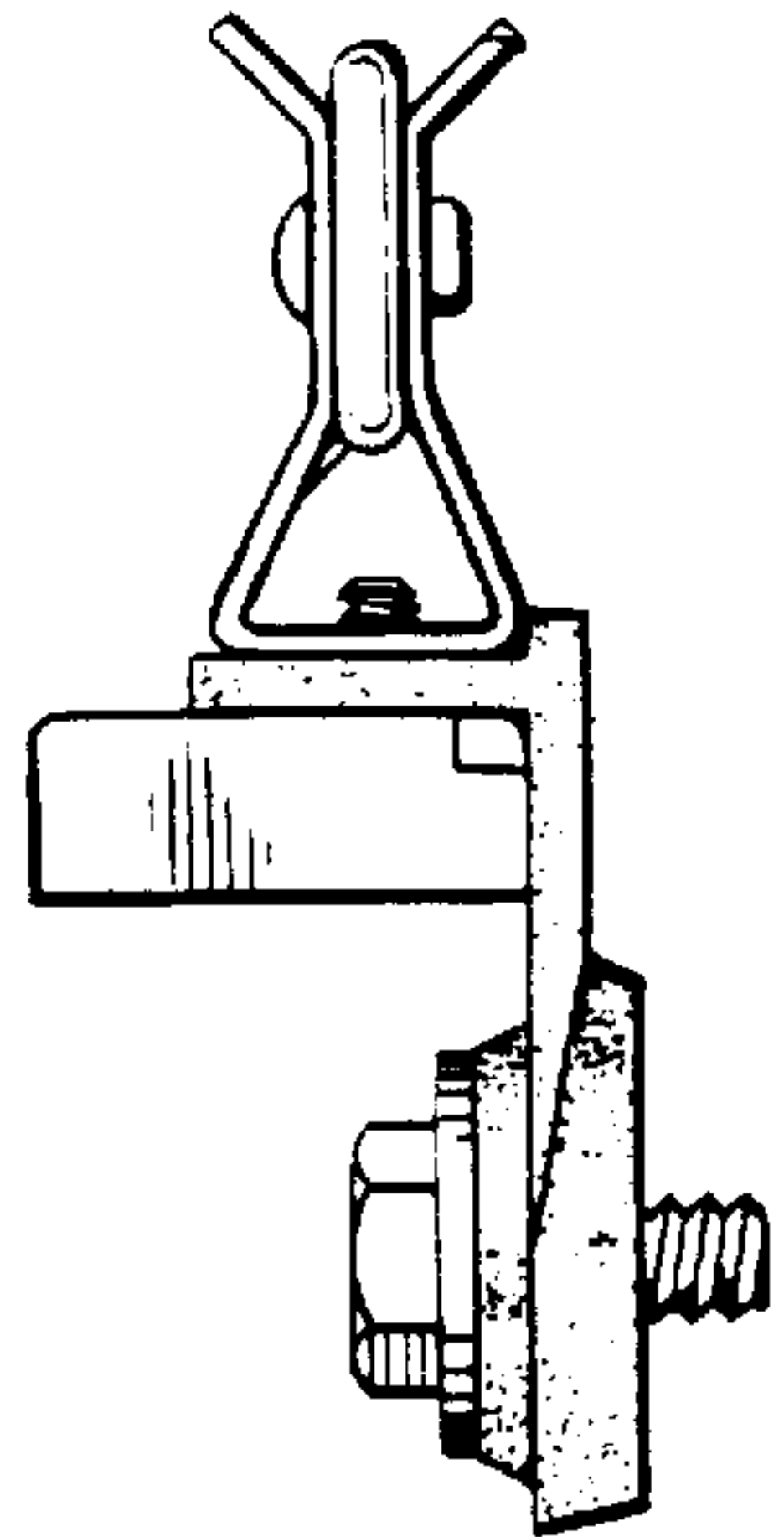


FIG. 4

FIG. 5

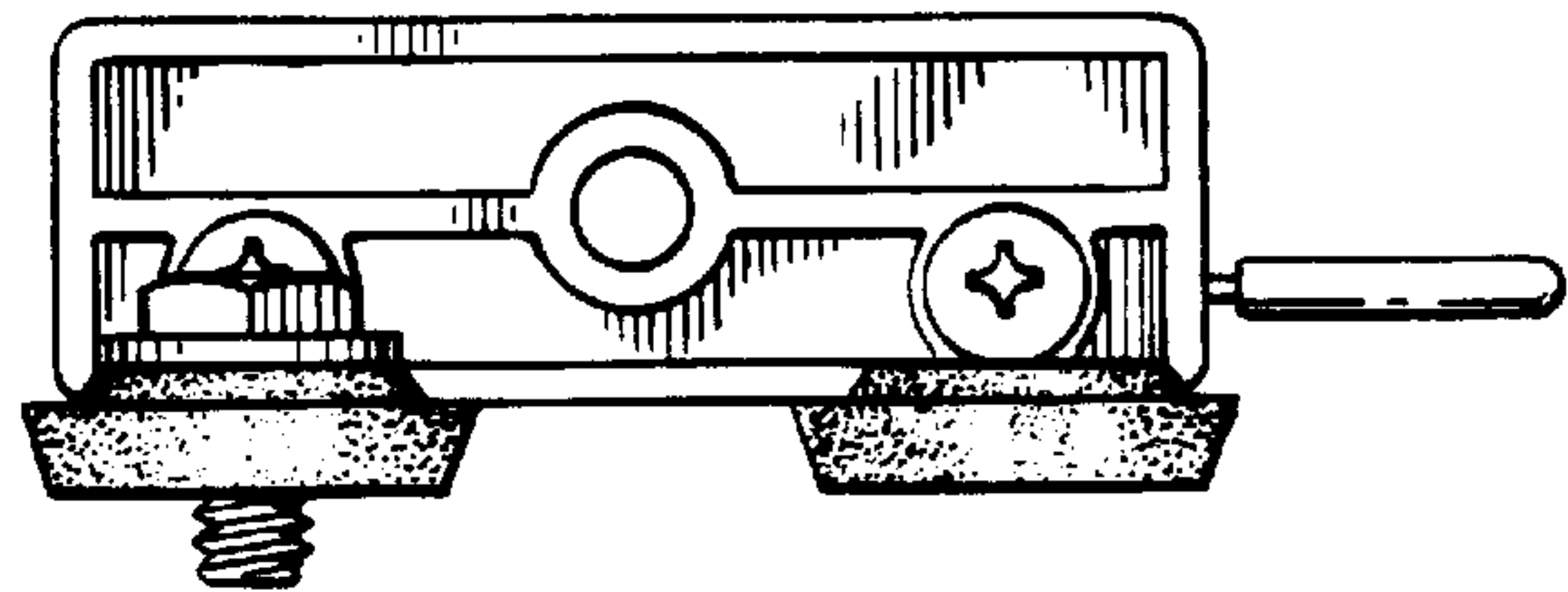
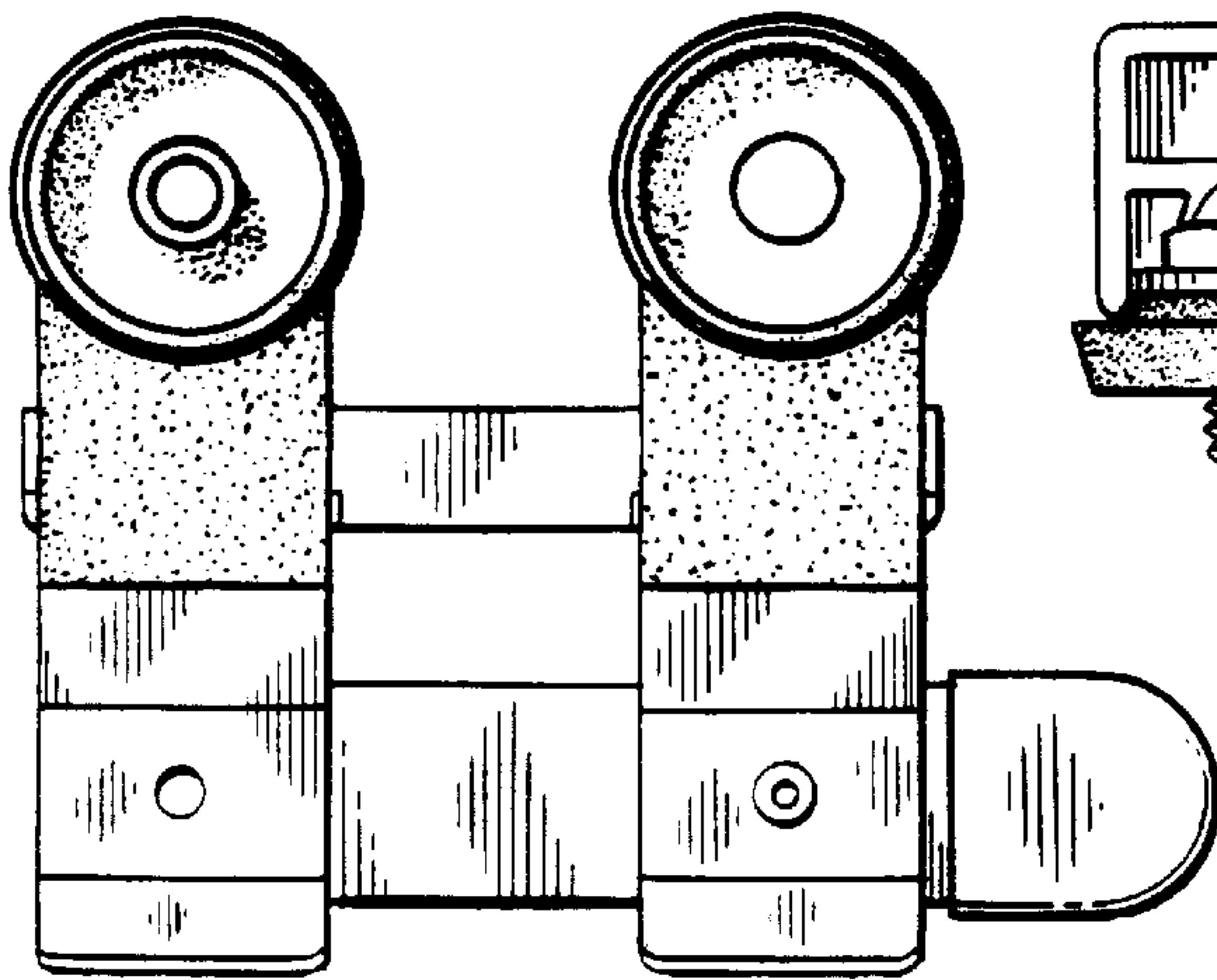


FIG. 6

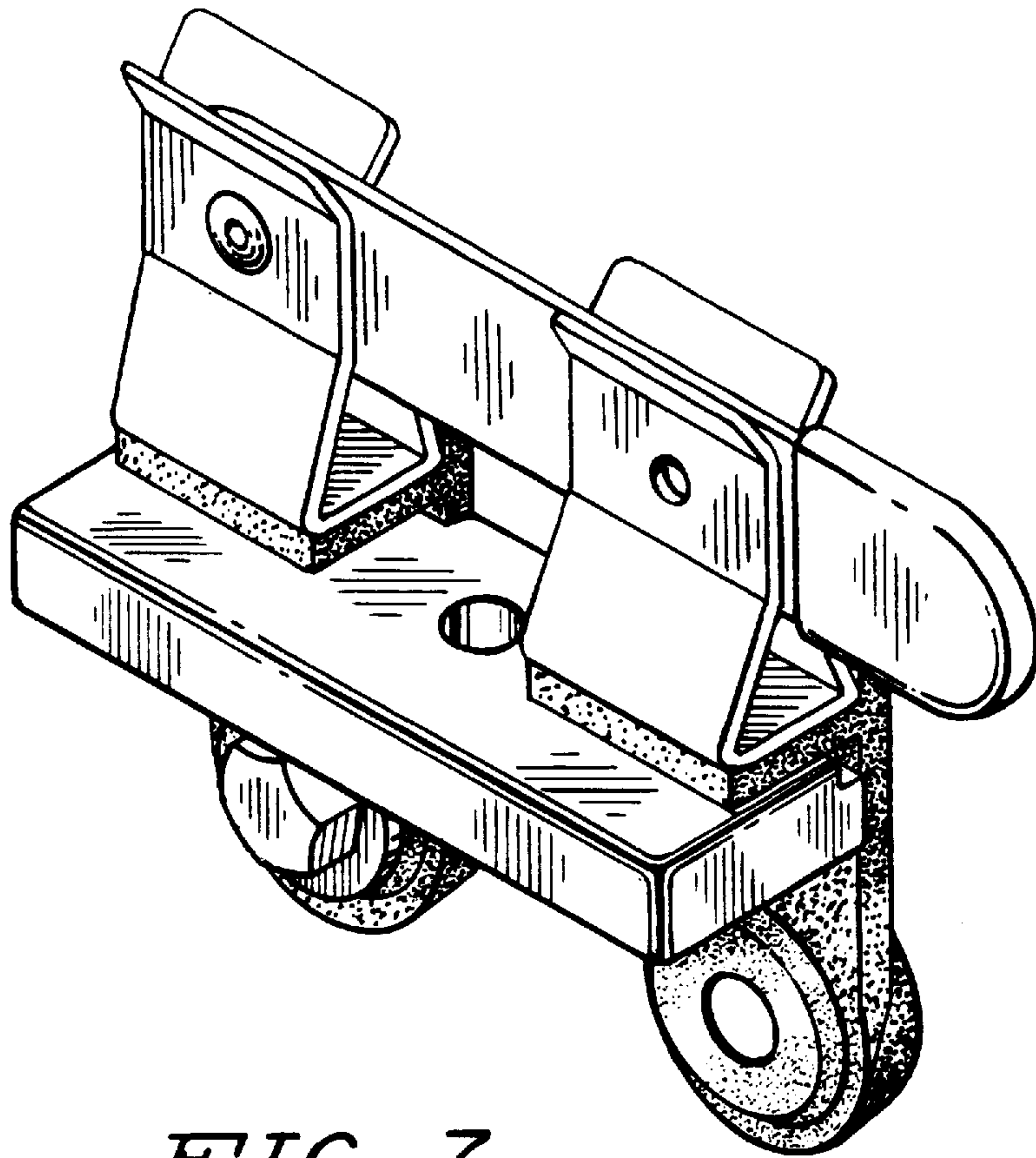


FIG. 7