



US00D402632S

United States Patent [19]

Richards et al.

[11] **Patent Number: Des. 402,632**

[45] **Date of Patent: **Dec. 15, 1998**

[54] **HOUSING FOR AND AUDIO CONNECTOR**

D. 373,566 9/1996 Rak et al. D13/133

[75] Inventors: **Scott H. Richards**, Plantation; **James L. Tracy**, Coral Springs; **Stephen N. Koch**, Plantation, all of Fla.

Primary Examiner—Joel Sincavage
Attorney, Agent, or Firm—M. Mansour Ghomeshi

[73] Assignee: **Motorola, Inc.**, Schaumburg, Ill.

[57] **CLAIM**
The ornamental design for a housing for an audio connector, as shown and described.

[**] Term: **14 Years**

DESCRIPTION

[21] Appl. No.: **85,389**

FIG. 1 is a top plan view of one embodiment of a housing for an audio connector showing our new design; FIG. 2 is a bottom plan view thereof; FIG. 3 a front elevational view thereof; FIG. 4 is a rear elevational view thereof; FIG. 5 is a left side elevational view thereof; FIG. 6 is a right side elevational view thereof; and, FIG. 7 is a top, front, right isometry view thereof. The broken lines shown throughout the drawing figures are included for the purpose of illustrating environmental elements only and form no part of the claimed design.

[22] Filed: **Mar. 23, 1998**

[51] **LOC (6) Cl.** **13-03**

[52] **U.S. Cl.** **D13/154; D13/133; D13/147**

[58] **Field of Search** D13/133, 146, D13/147, 154; 439/358

[56] **References Cited**

U.S. PATENT DOCUMENTS

- D. 270,246 8/1983 Freimuth D13/146
- D. 332,601 1/1993 Lucey et al. D13/147

1 Claim, 4 Drawing Sheets

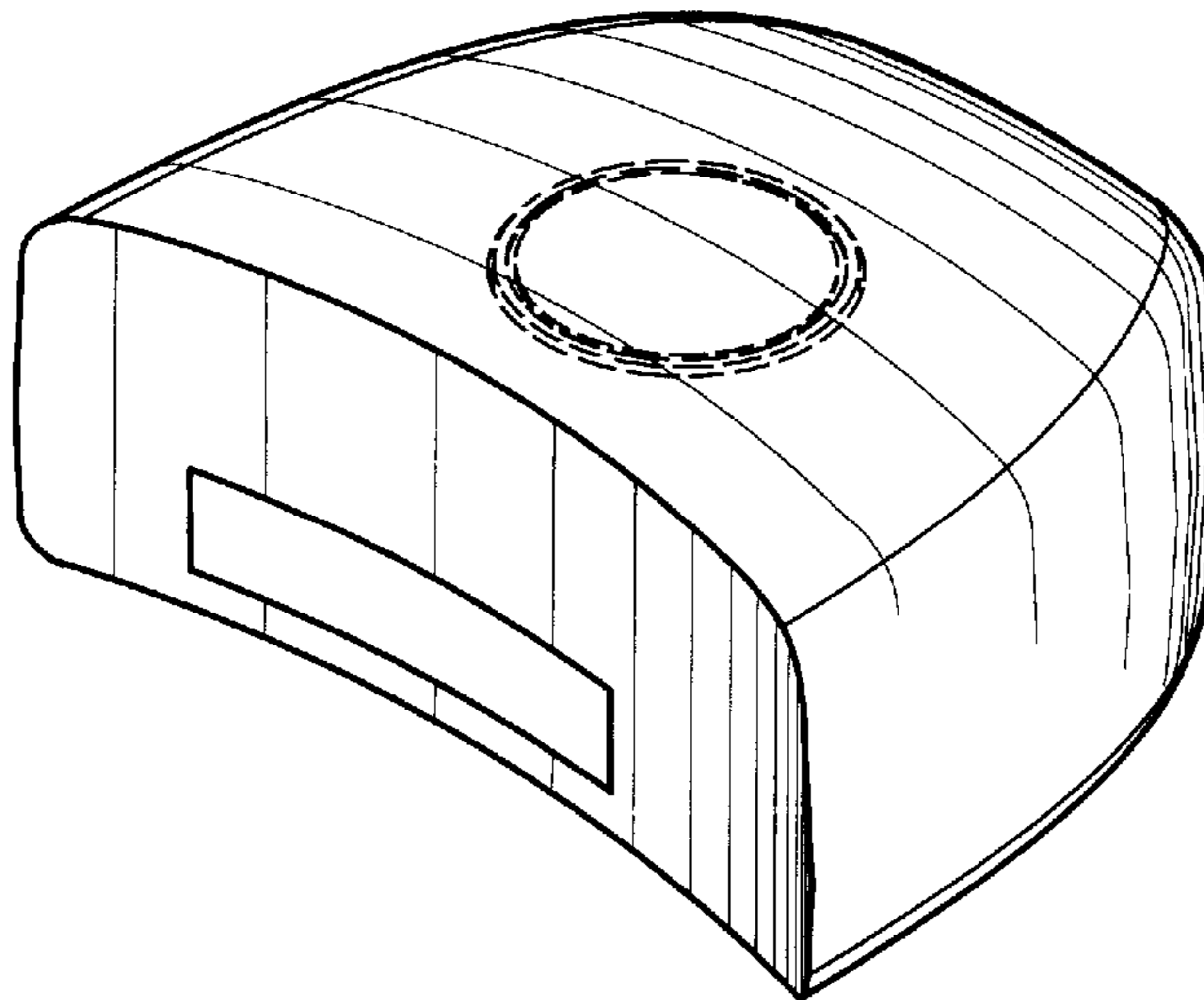


FIG. 2

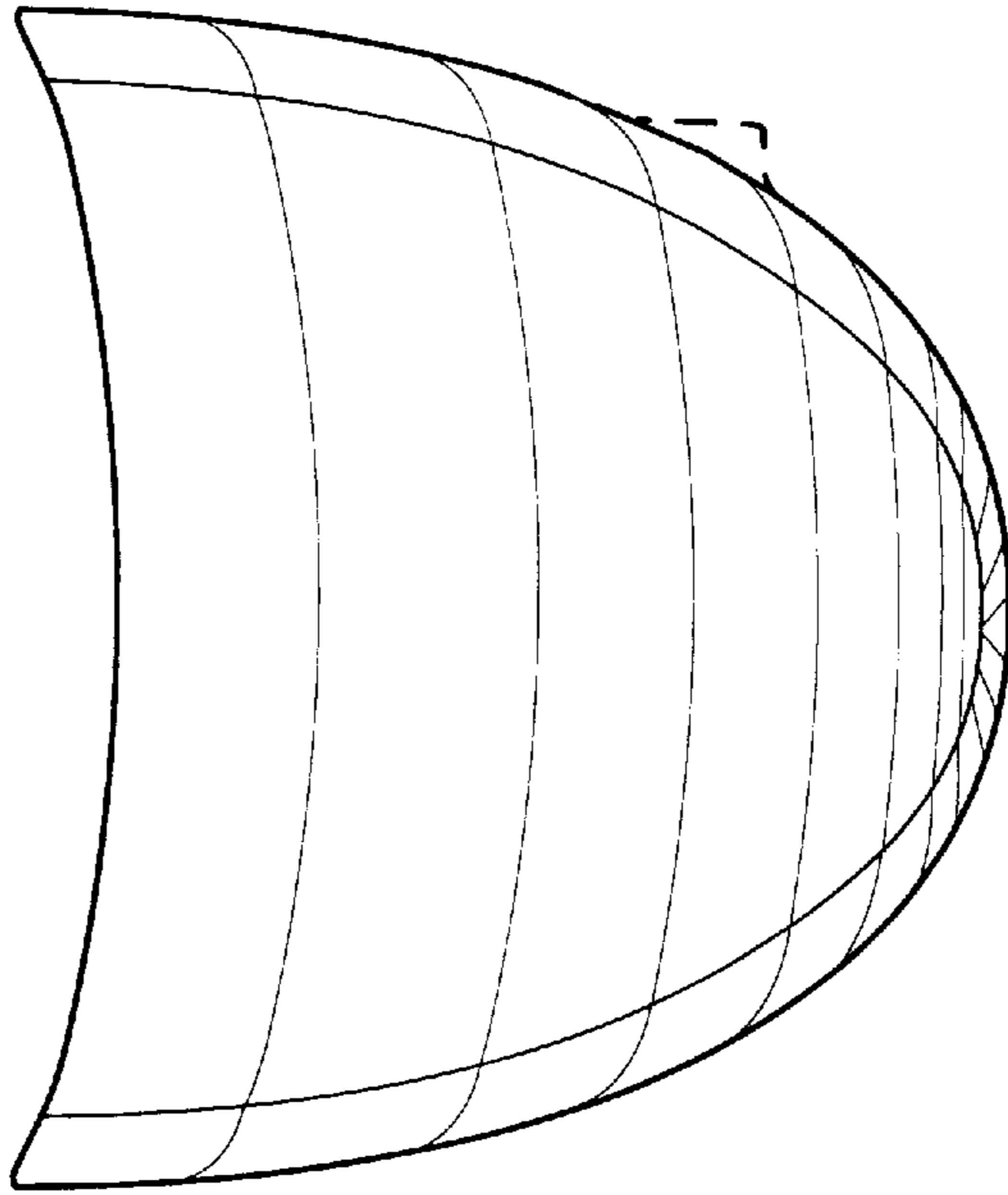


FIG. 1

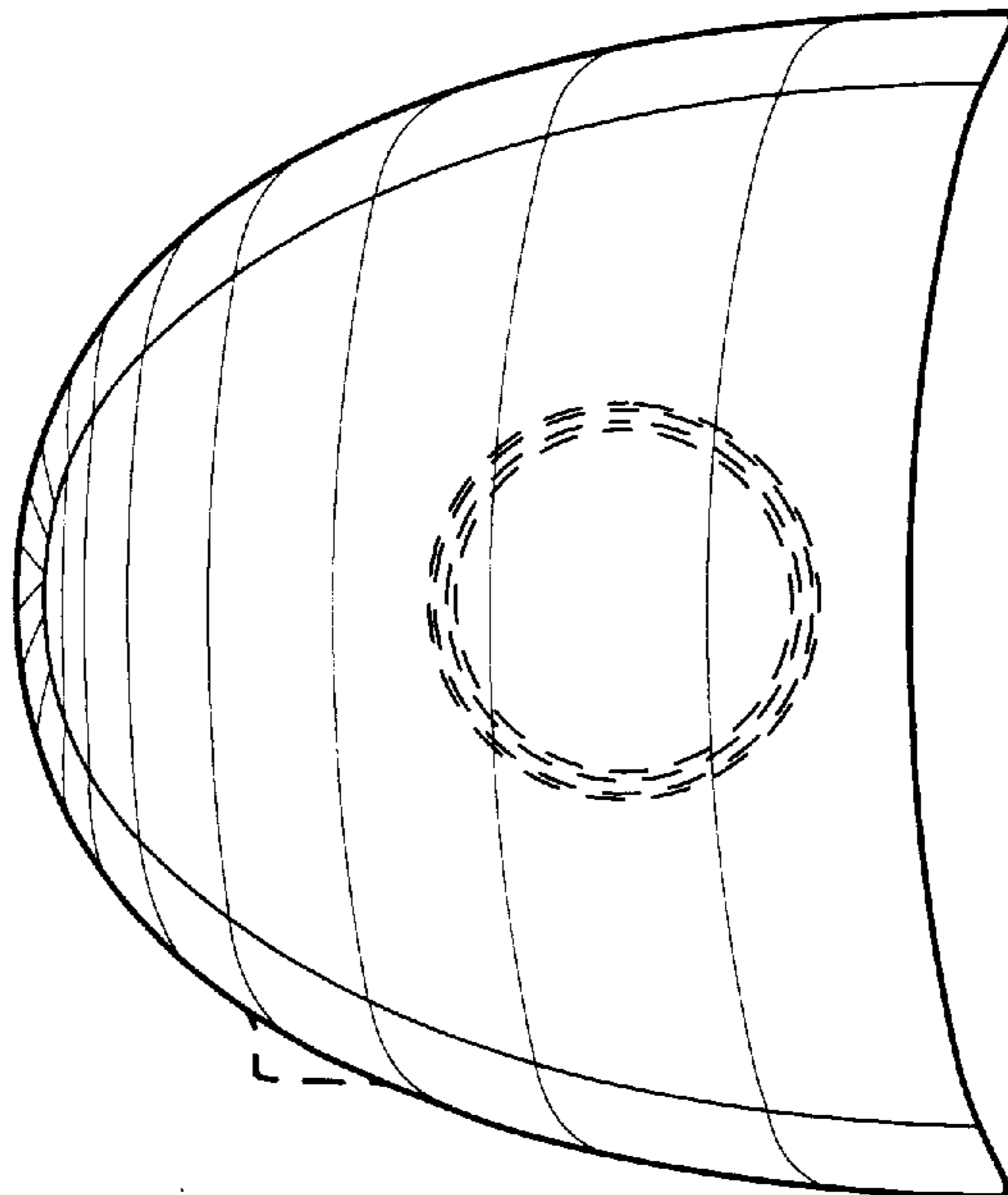


FIG. 4

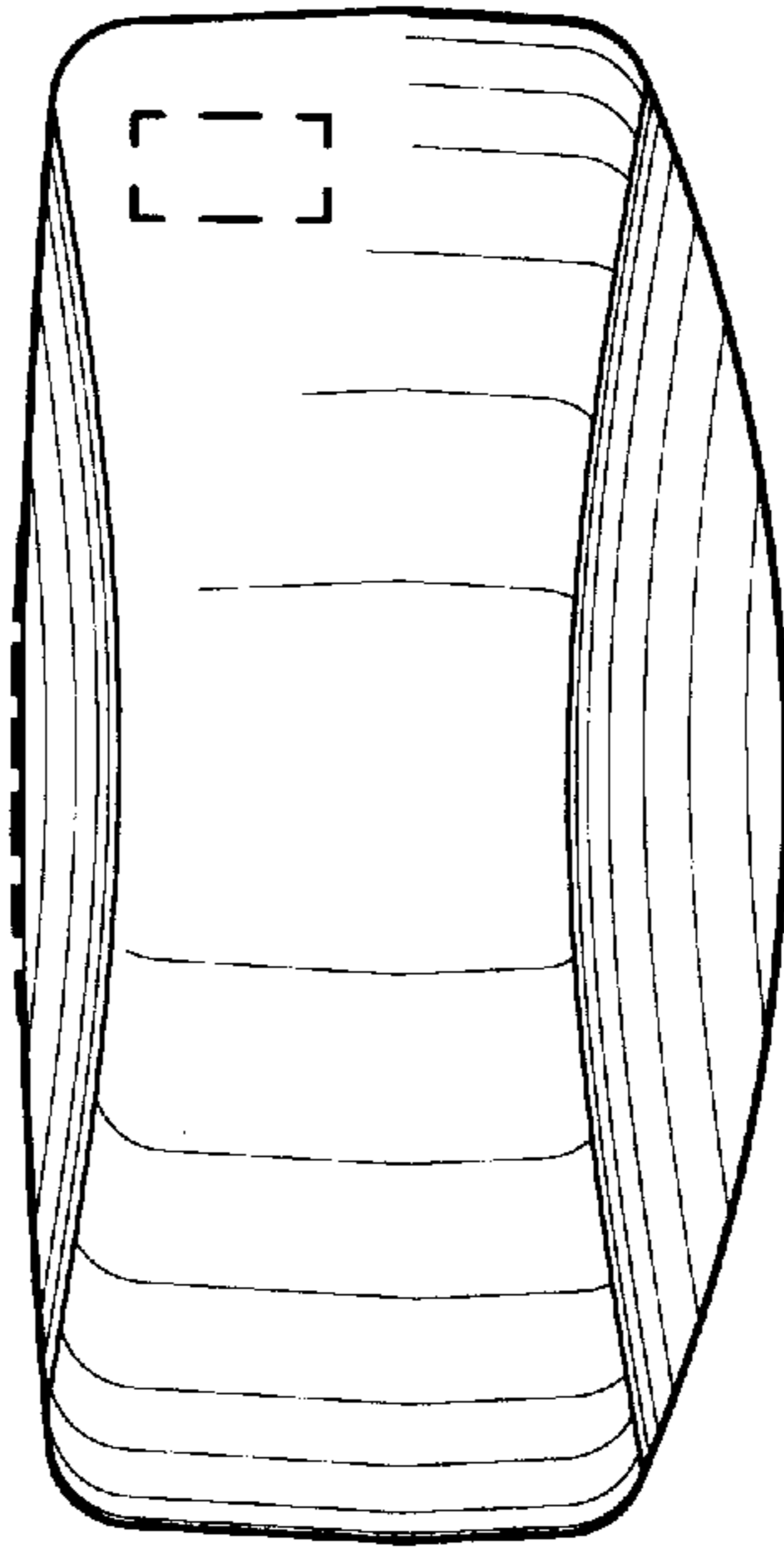


FIG. 3

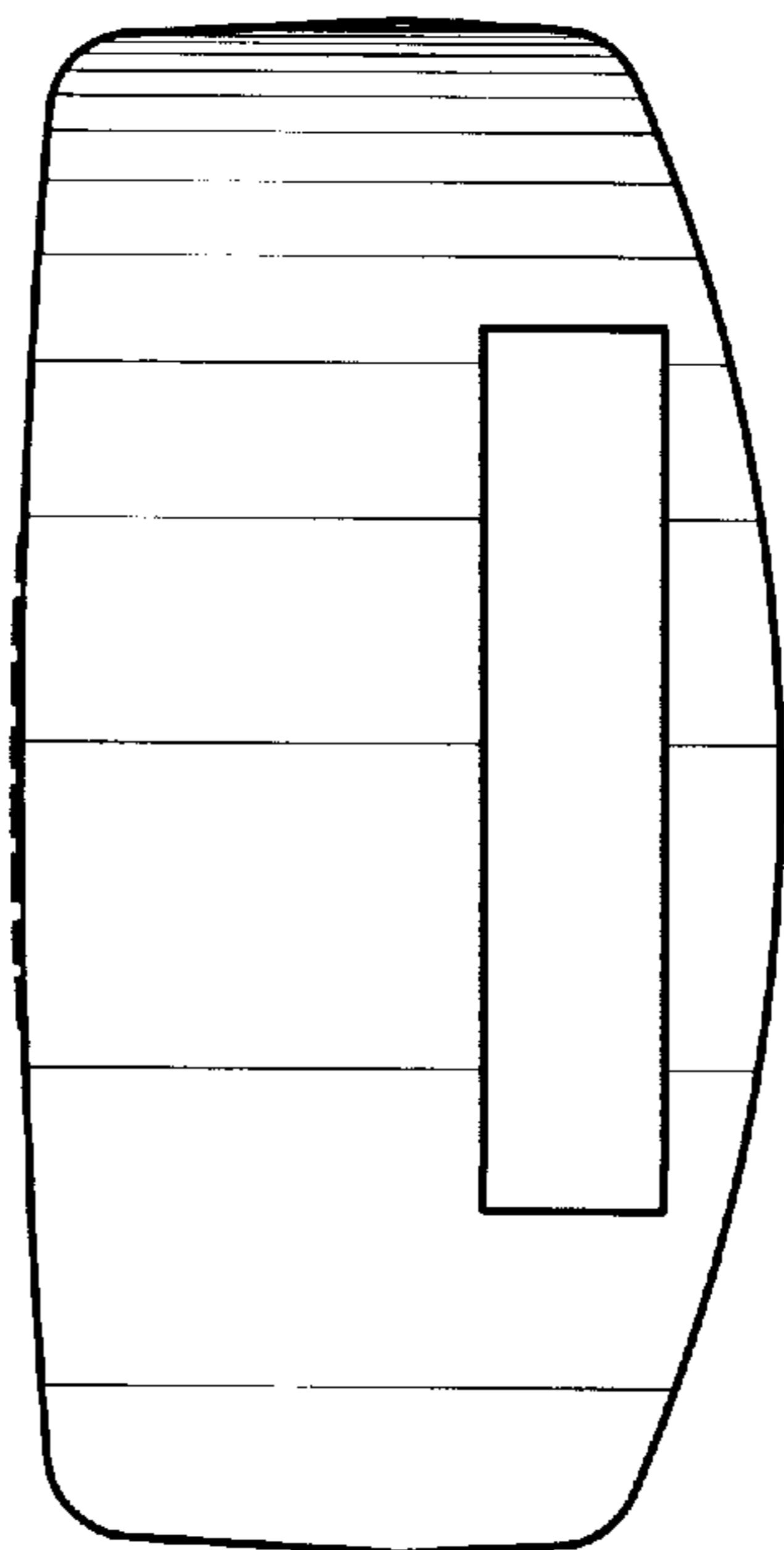


FIG. 6

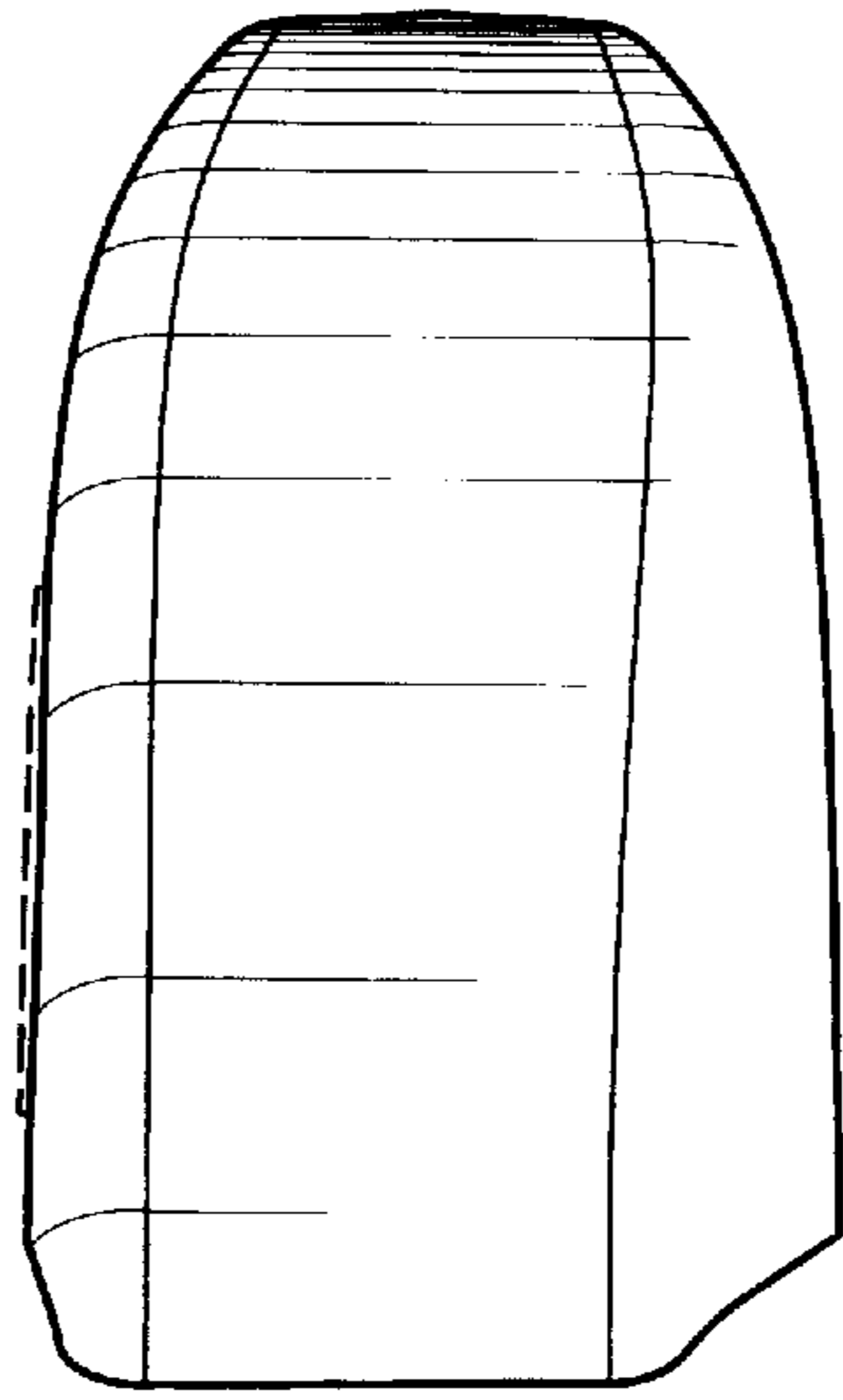


FIG. 5

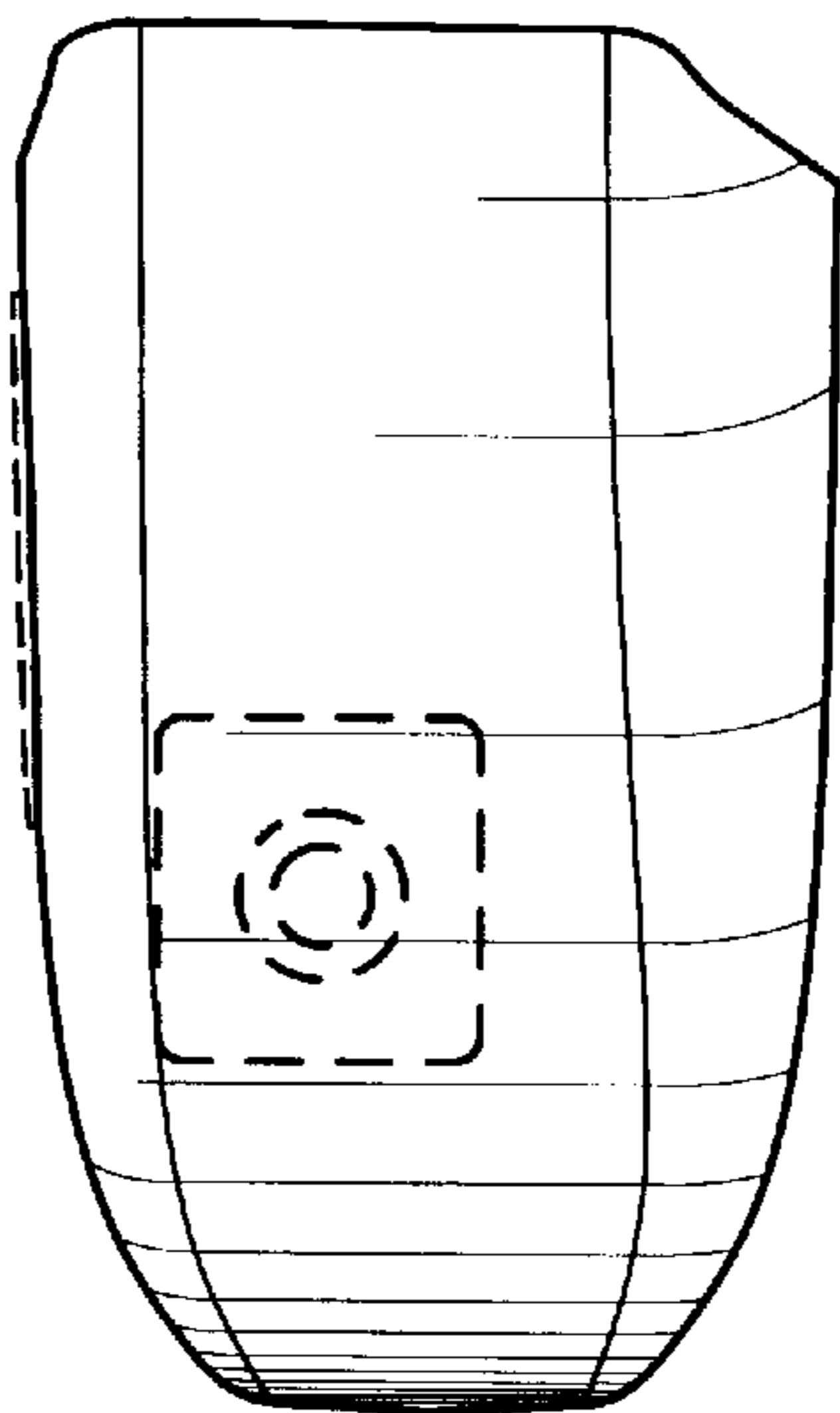


FIG. 7

