



US00D402630S

United States Patent [19]

Lai et al.

[11] **Patent Number: Des. 402,630**

[45] **Date of Patent: **Dec. 15, 1998**

[54] **MULTI-SLOT ELECTRICAL CONNECTOR**

[75] Inventors: **Chin-Yi Lai; Kun-Tsan Wu**, both of Taipei Hsien, Taiwan

[73] Assignee: **Hon Hai Precision Ind. Col, Ltd.**, Taiwan

[**] Term: **14 Years**

[21] Appl. No.: **80,078**

[22] Filed: **Nov. 24, 1997**

[30] **Foreign Application Priority Data**

May 30, 1997 [TW] Taiwan 86304708

[51] **LOC (6) Cl.** **13-03**

[52] **U.S. Cl.** **D13/147**

[58] **Field of Search** D13/146, 147;
439/79-83, 95, 101, 108, 181, 607-610,
620

[56] **References Cited**

U.S. PATENT DOCUMENTS

D. 332,598 1/1993 Kikuta et al. D13/147

D. 352,929 11/1994 Sato D13/147
5,104,326 4/1992 Smith et al. 439/95
5,547,398 8/1996 Ichikawa et al. 439/607

Primary Examiner—Alan P. Douglas
Assistant Examiner—Lavone D. Tabor

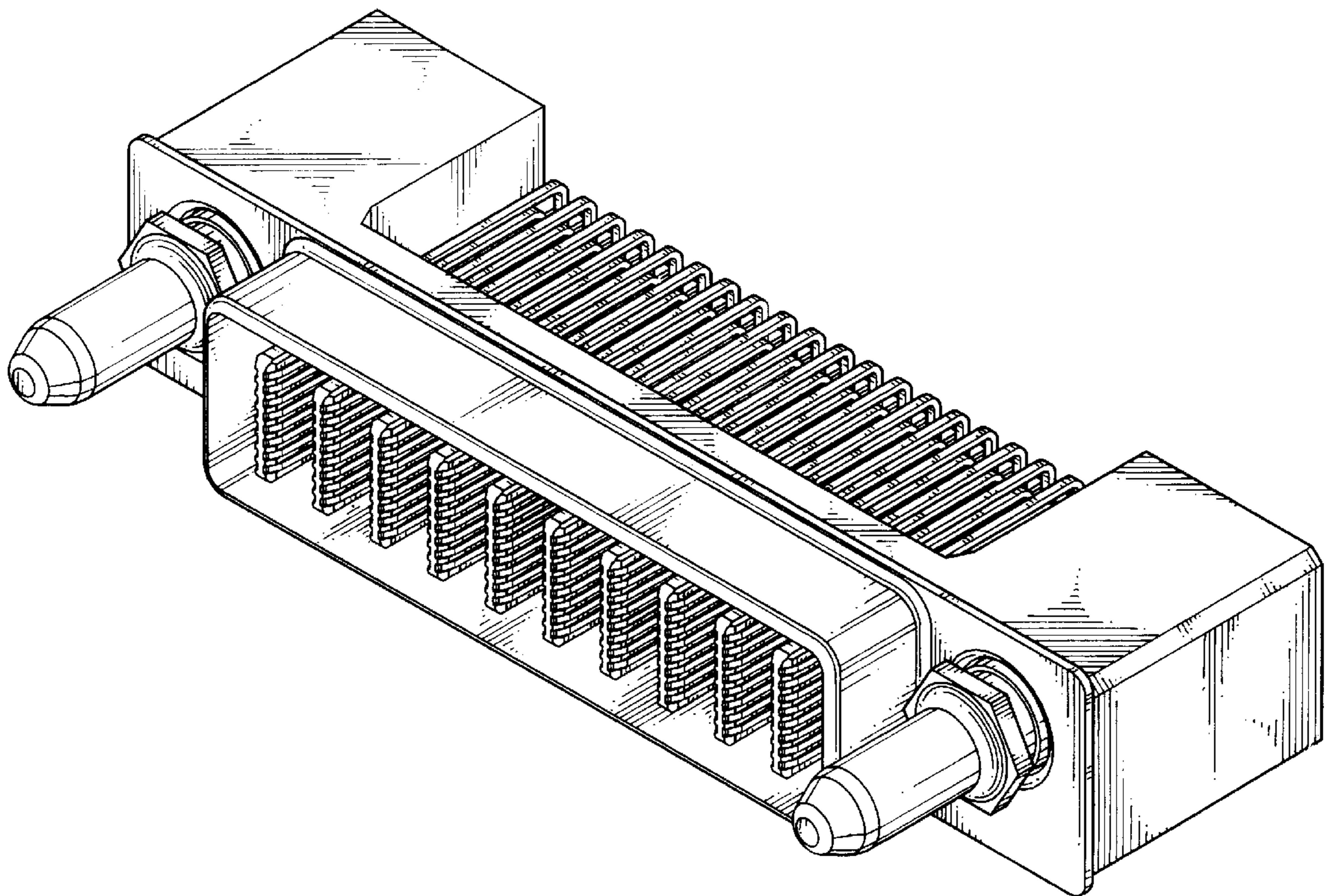
[57] **CLAIM**

The ornamental design for a multi-slot electrical connector, as shown

DESCRIPTION

FIG. 1 is a perspective view of a multi-slot electrical connector showing our new design;
FIG. 2 is a front elevational view thereof;
FIG. 3 is a rear elevational view thereof;
FIG. 4 is a left side elevational view thereof;
FIG. 5 is a right side elevational view thereof;
FIG. 6 is a top plan view thereof; and,
FIG. 7 is a bottom plan view thereof.

1 Claim, 7 Drawing Sheets



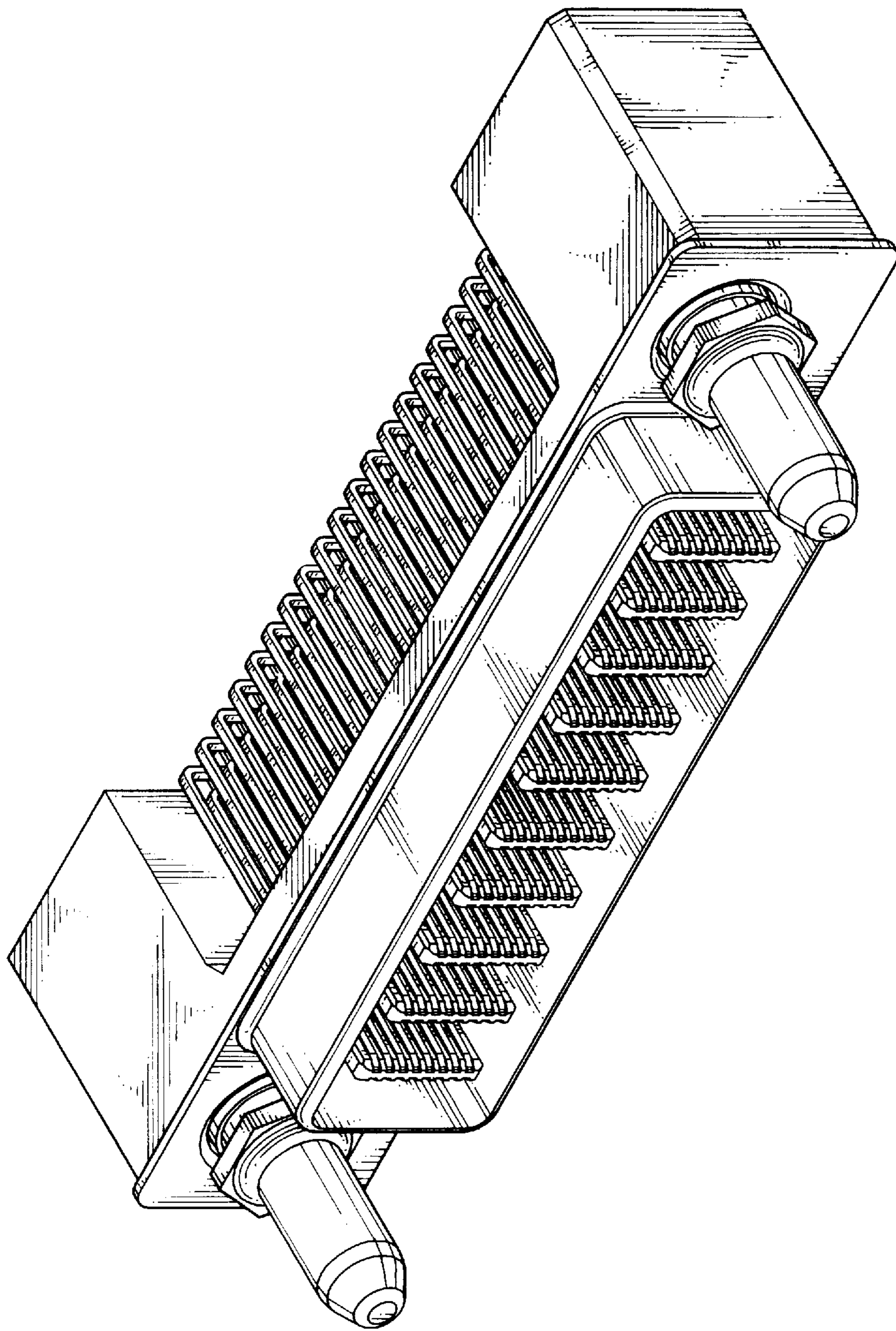


FIG.1

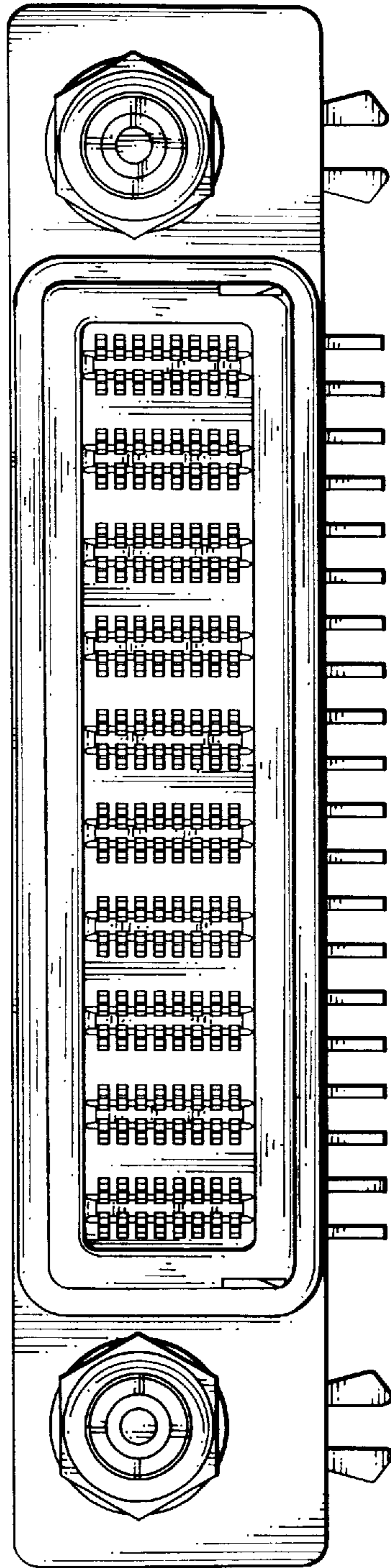


FIG. 2

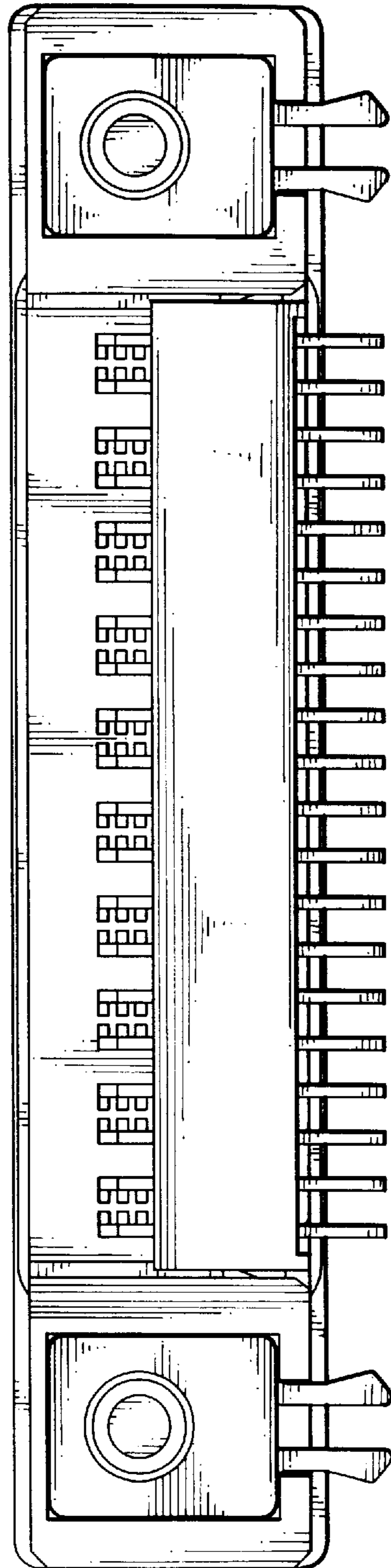


FIG.3

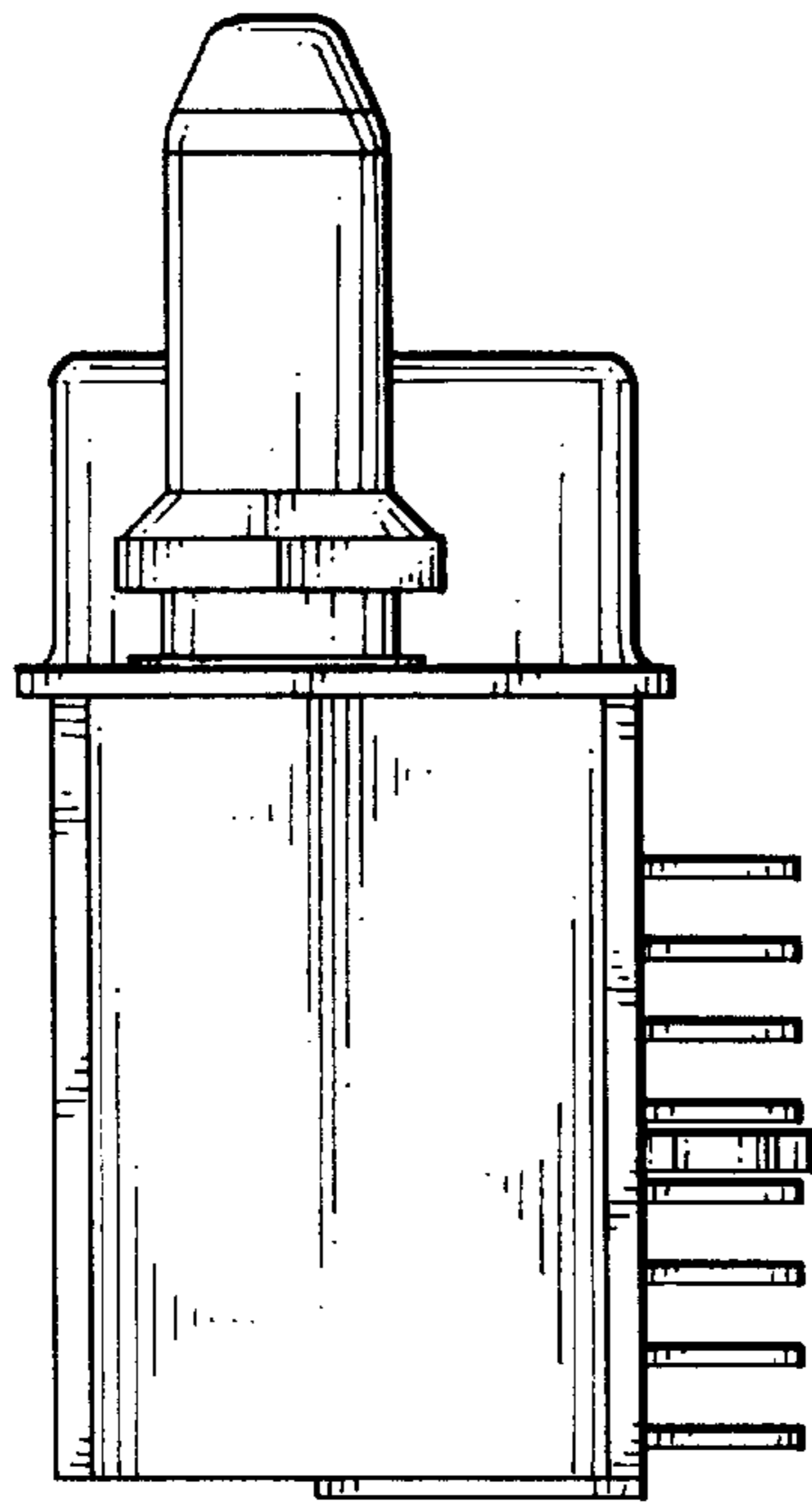


FIG.4

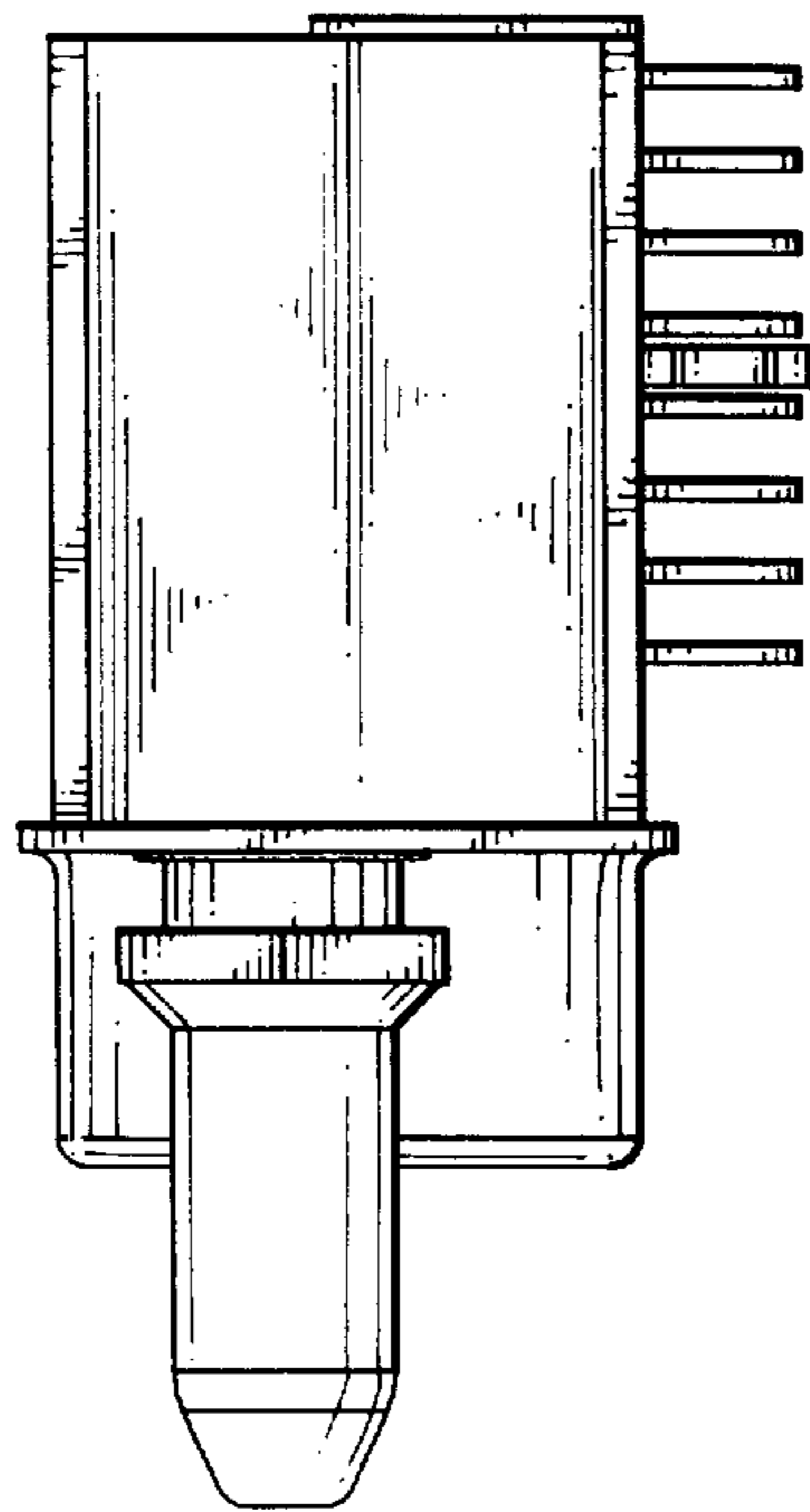


FIG. 5

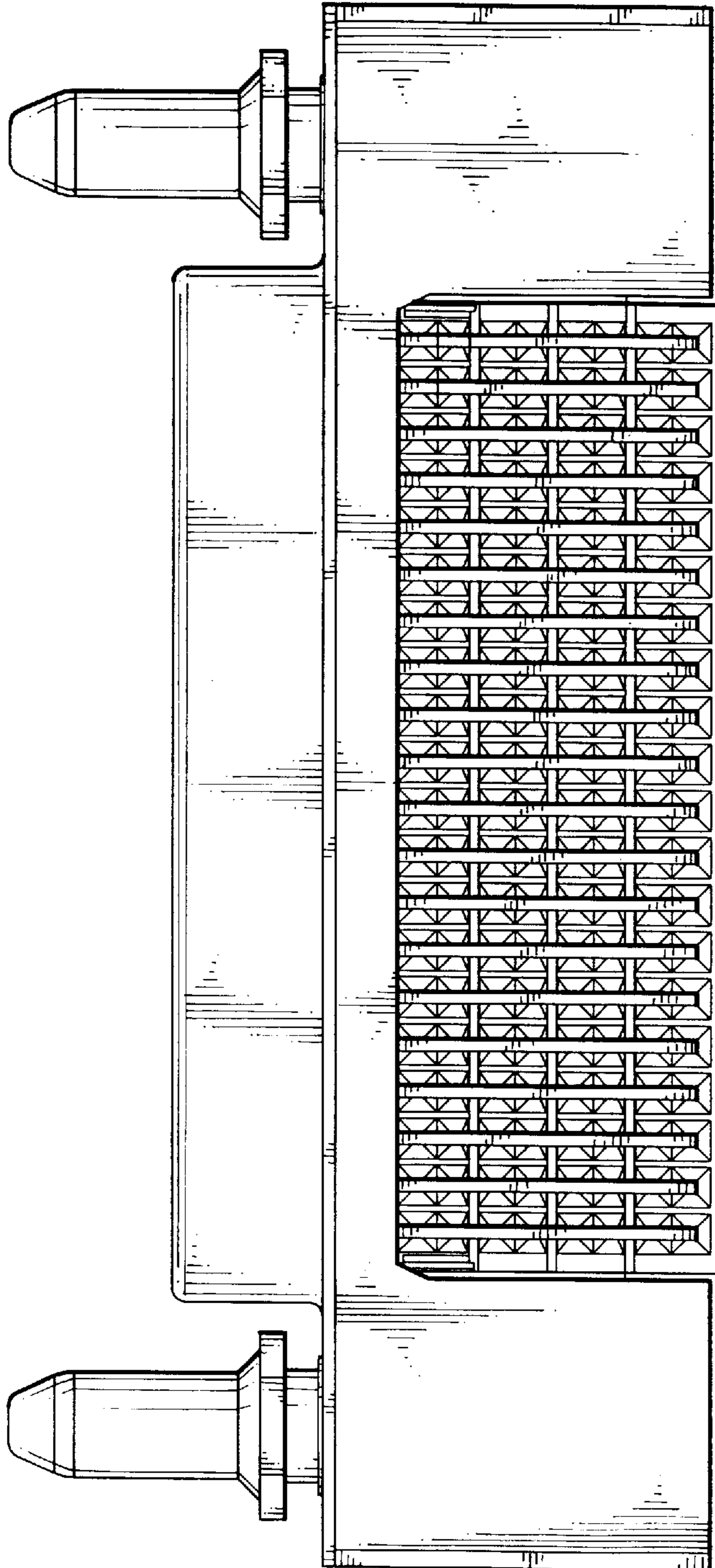


FIG.6

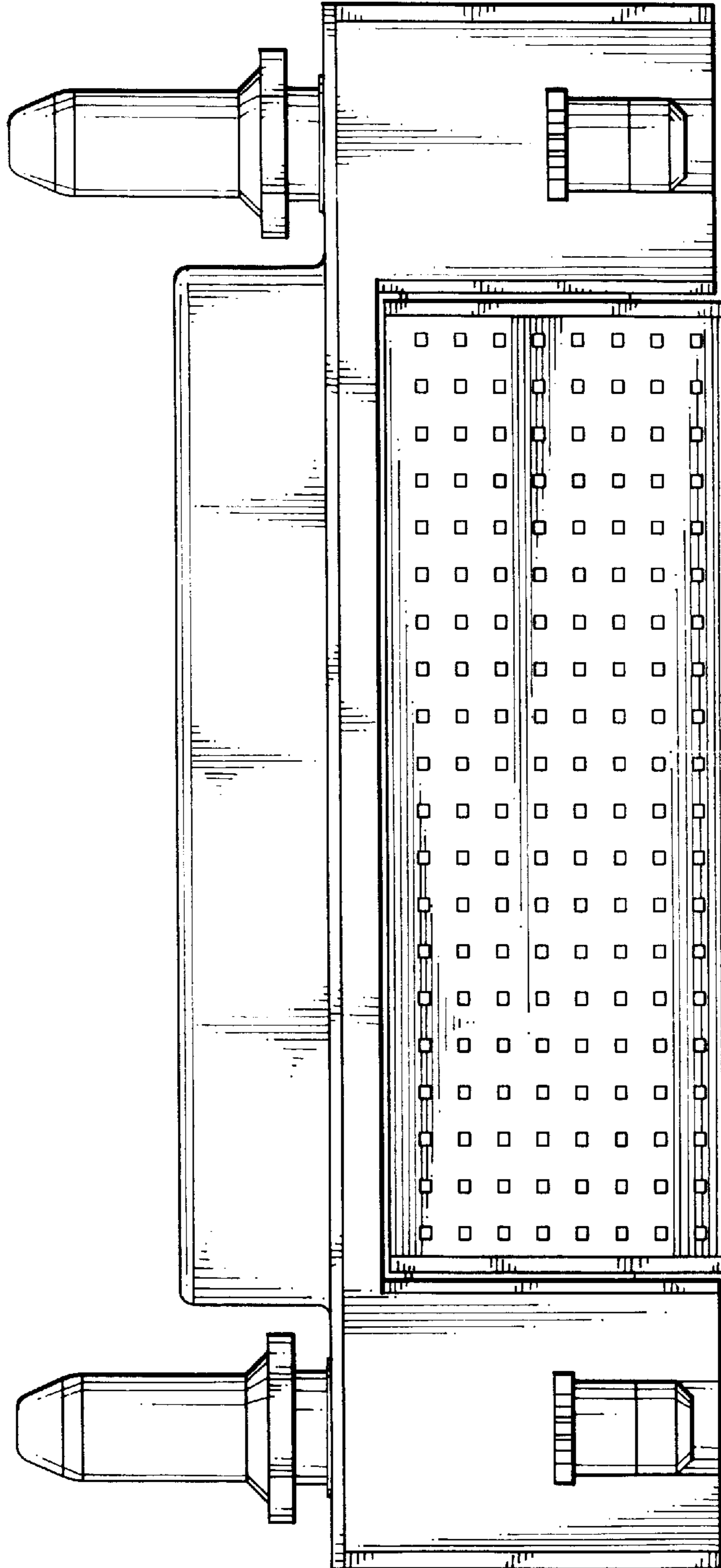


FIG. 7