



US00D402628S

United States Patent [19]
Canuto et al.

[11] **Patent Number: Des. 402,628**

[45] **Date of Patent: **Dec. 15, 1998**

[54] **ELECTRICAL CONNECTOR HOUSING**

[75] Inventors: **Oscare Canuto**, Collegno; **Mylène Roussin**, Turin, both of Italy

[73] Assignee: **The Whitaker Corporation**, Wilmington, Del.

[**] Term: **14 Years**

[21] Appl. No.: **83,747**

[22] Filed: **Feb. 17, 1998**

[30] **Foreign Application Priority Data**

Aug. 21, 1997 [GB] United Kingdom 2068479

[51] **LOC (6) Cl.** **13-03**

[52] **U.S. Cl.** **D13/133**

[58] **Field of Search** D13/133, 146,
D13/147; 439/350, 352-354, 357, 358,
607-610

[56] **References Cited**

U.S. PATENT DOCUMENTS

D. 210,533	3/1968	Pauza	D13/147
D. 323,141	1/1992	Sueyoshii et al.	D13/133
D. 323,316	1/1992	Ohkura et al.	D13/133
D. 324,026	2/1992	Ichida et al.	D13/133
5,487,677	1/1996	Hoffner	439/293

Primary Examiner—Alan P. Douglas
Assistant Examiner—Lavone D. Tabor
Attorney, Agent, or Firm—Driscoll A. Nina

[57] **CLAIM**

An ornamental design for an electrical connector housing, as shown and described.

DESCRIPTION

FIG. 1 is a top, rear, and side perspective view of an electrical connector housing showing our new design;

FIG. 2 is a perspective view of the electrical connector housing showing the bottom, front, and the side that is shown in FIG. 1;

FIG. 3 is a perspective view of the electrical connector housing showing the top, front, and opposite side;

FIG. 4 is a perspective view of the electrical connector housing showing the top, rear, and the side that is shown in FIG. 3;

FIG. 5 is a top view of the electrical connector housing;

FIG. 6 is a bottom view of the electrical connector housing;

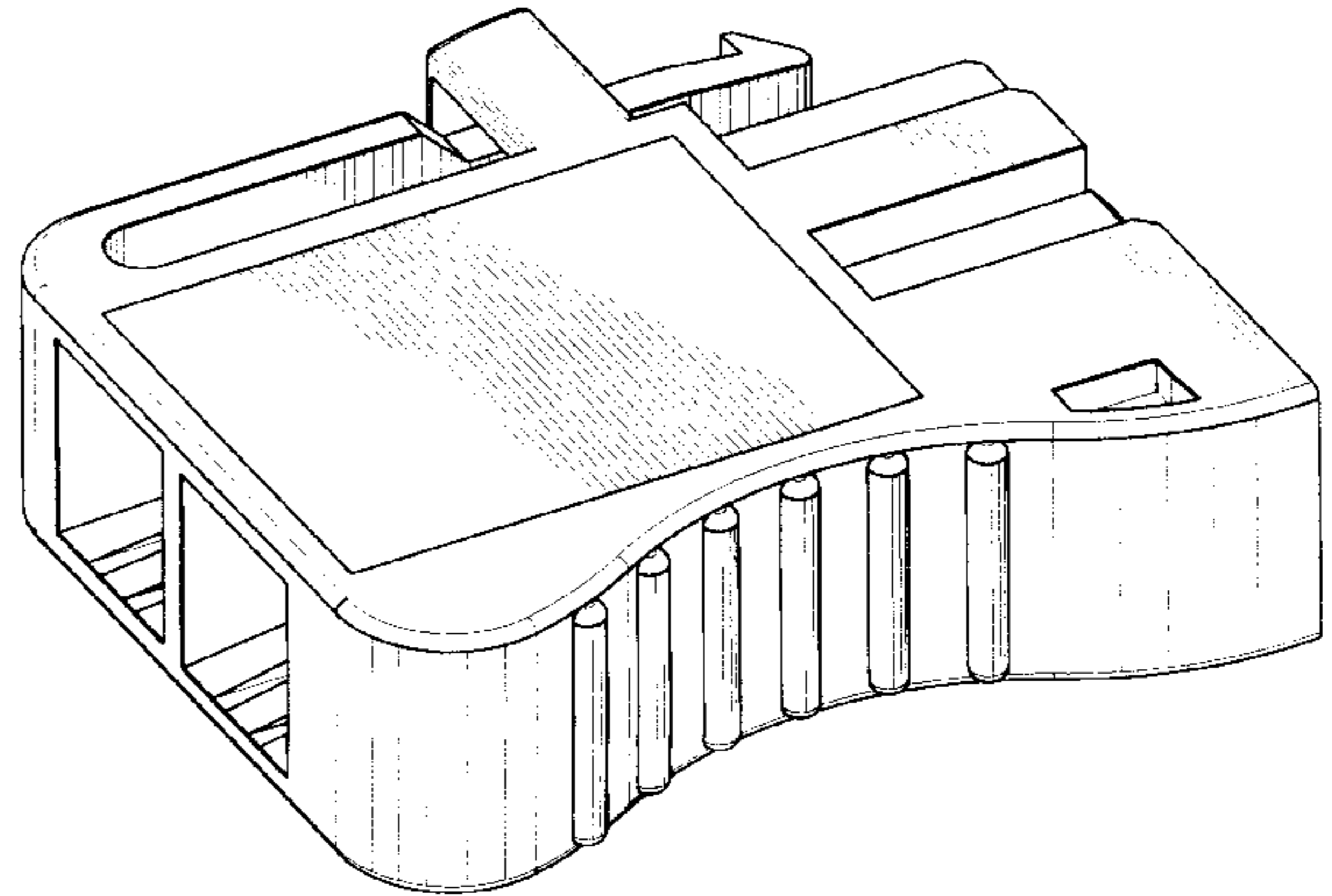
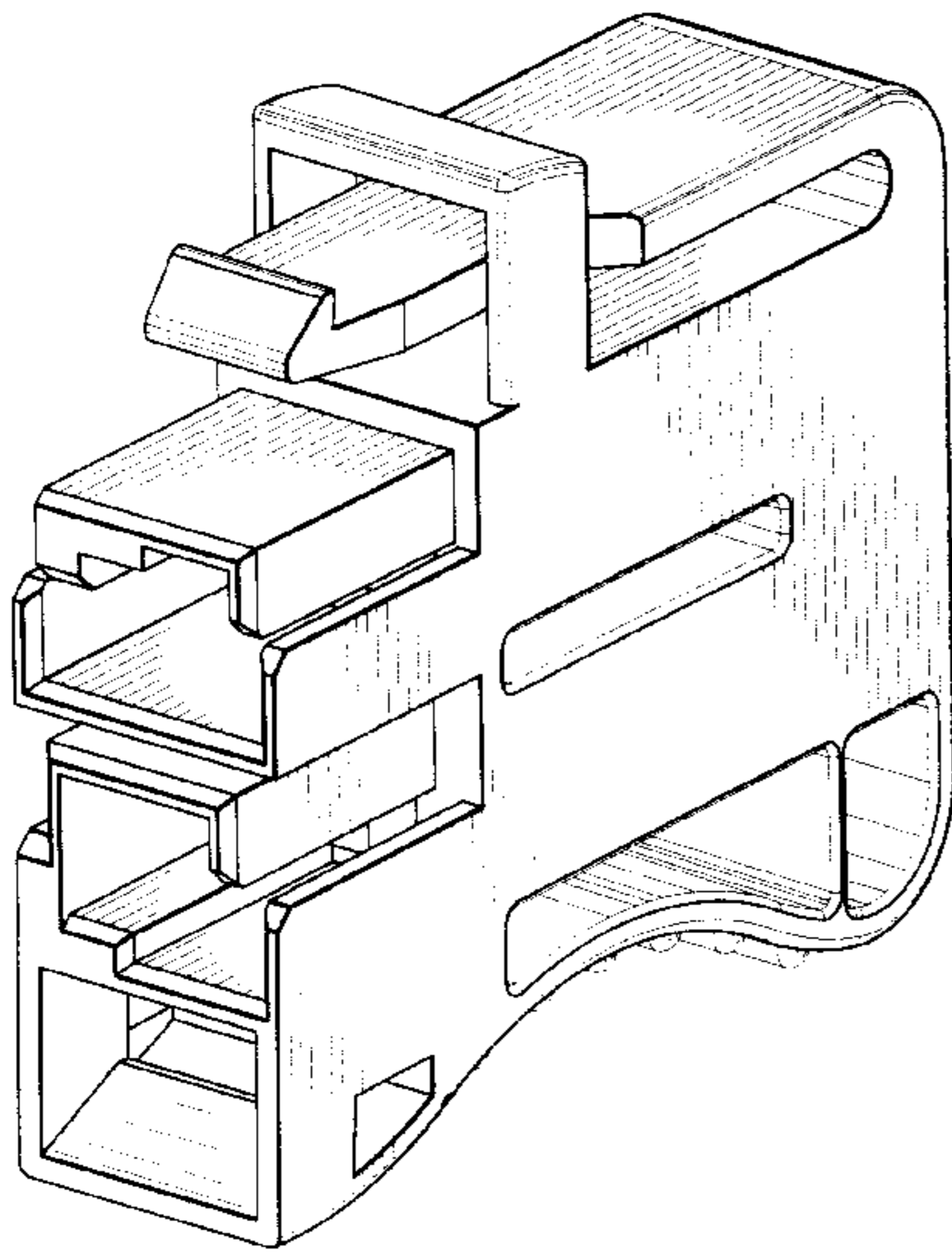
FIG. 7 is a front view of the electrical connector housing;

FIG. 8 is a side view of the electrical connector housing;

FIG. 9 is an opposite side view of the electrical connector housing; and,

FIG. 10 is a rear view of the electrical connector housing.

1 Claim, 4 Drawing Sheets



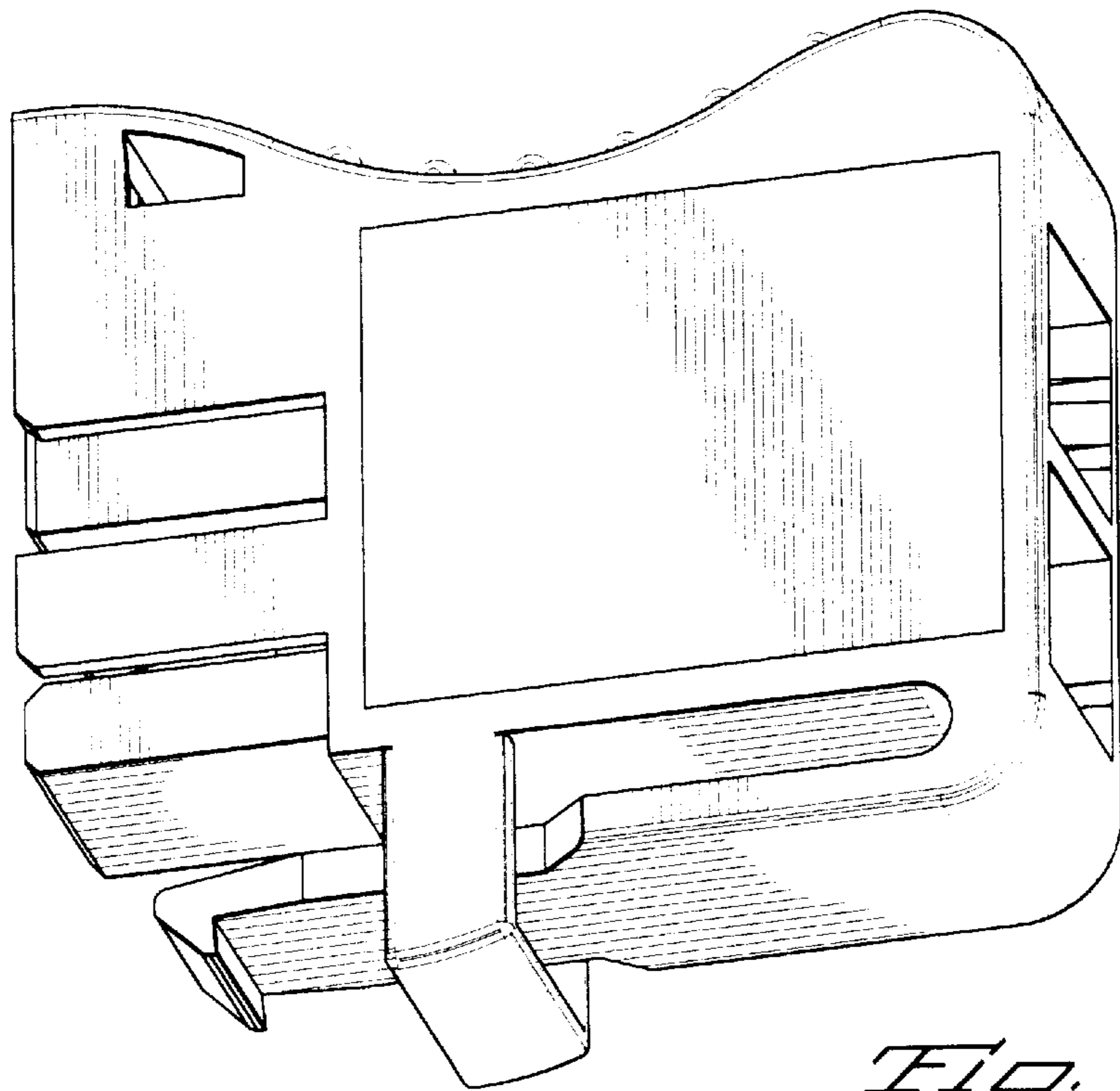


Fig. 1

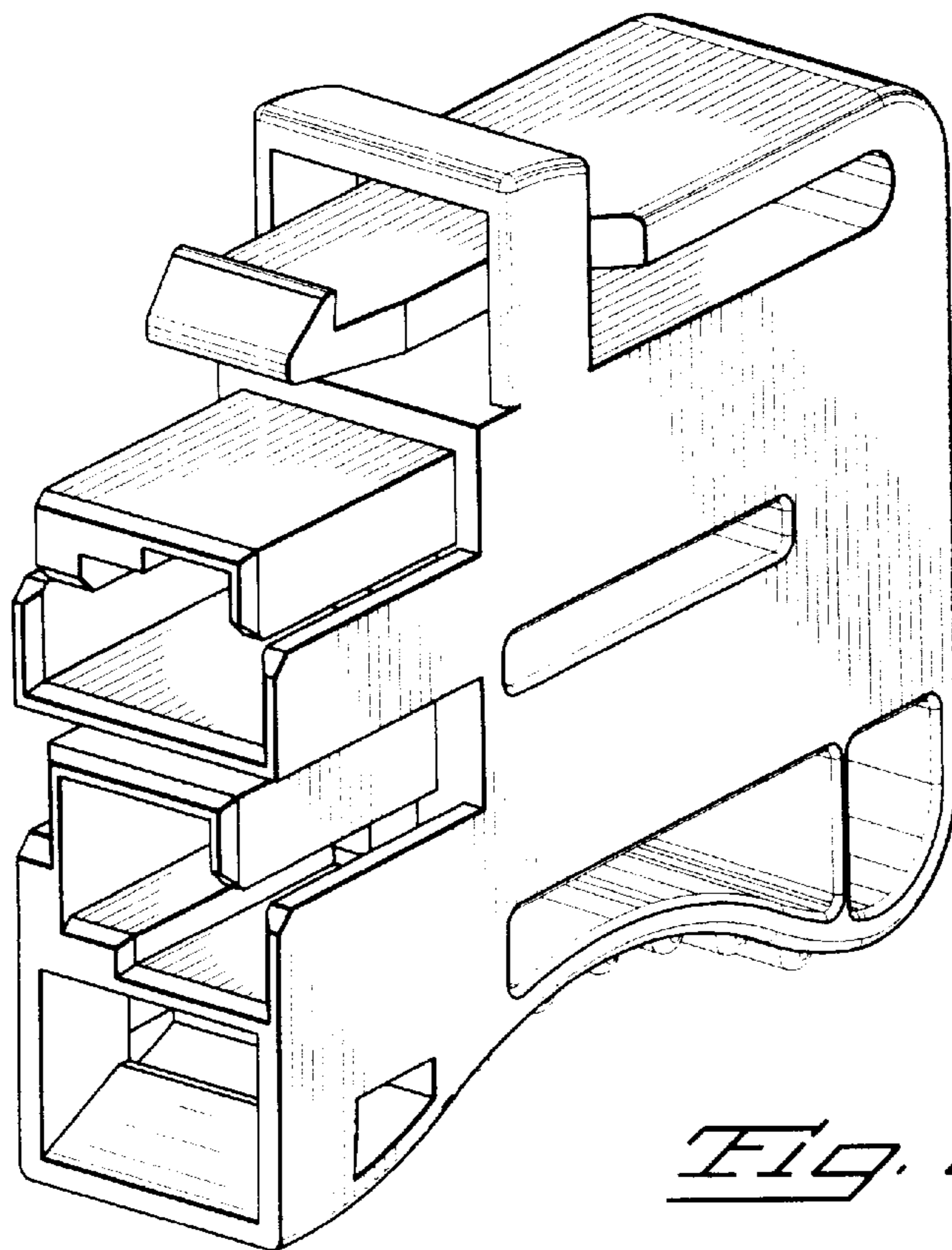


Fig. 2

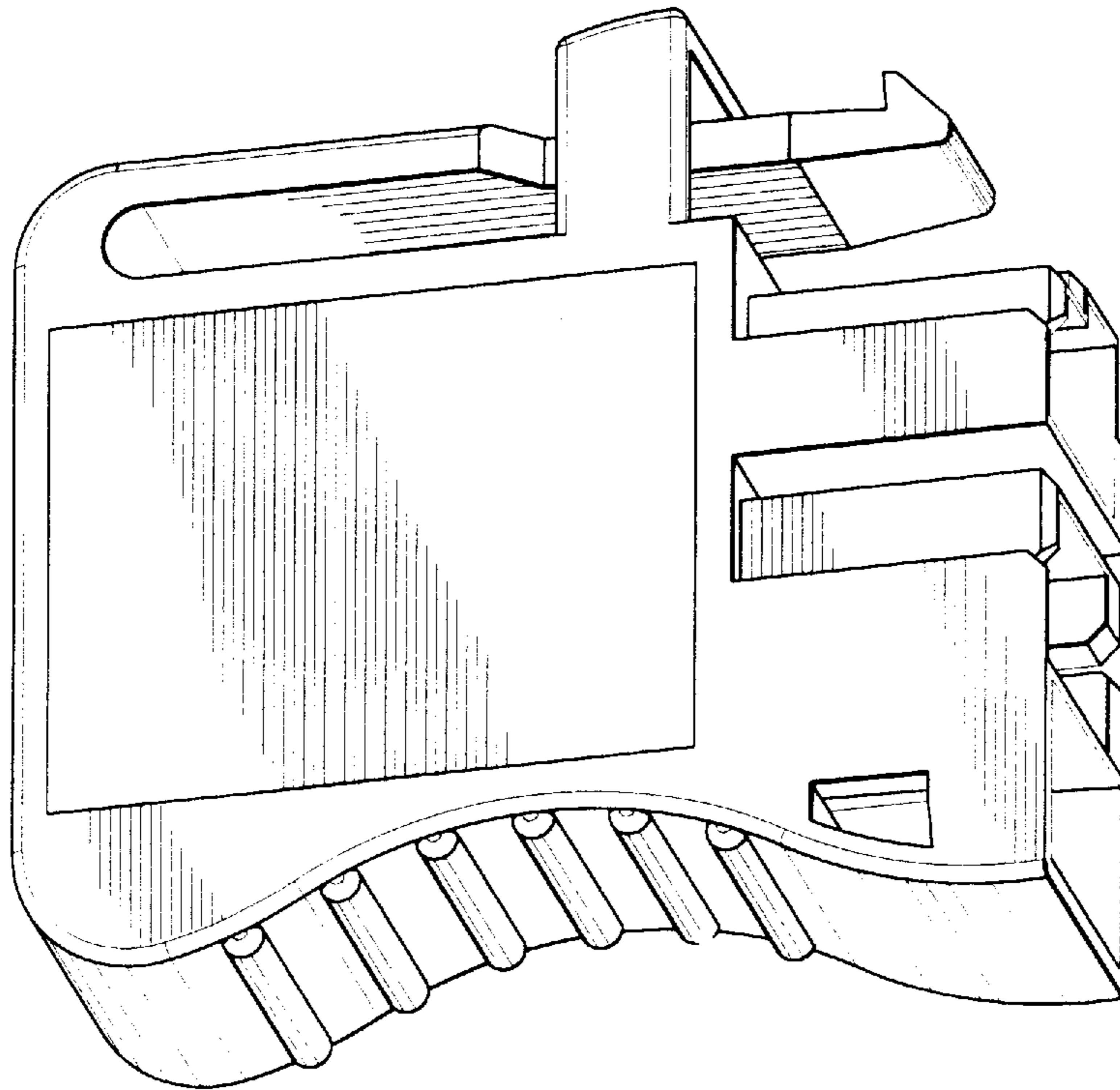


Fig. 3

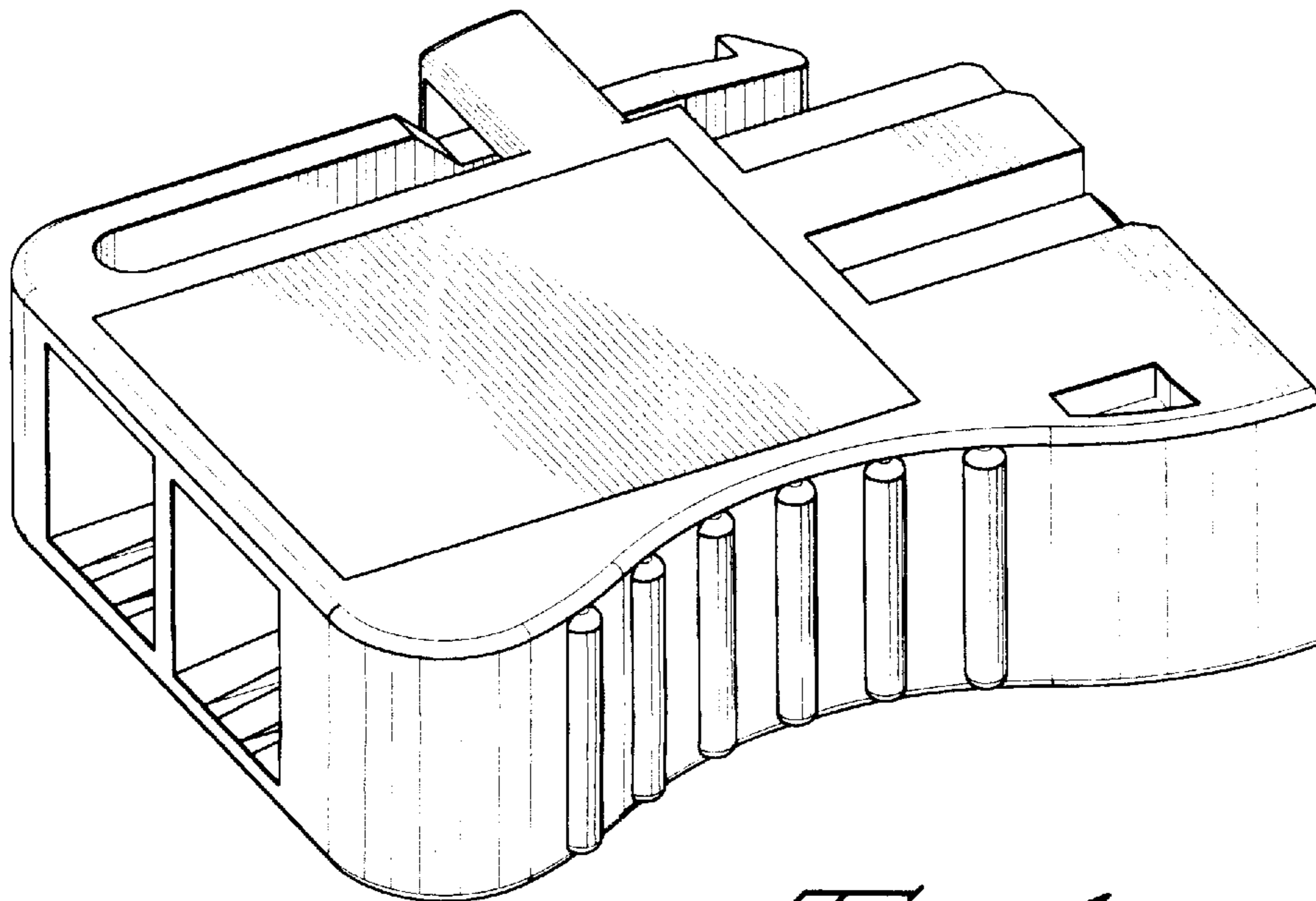


Fig. 4

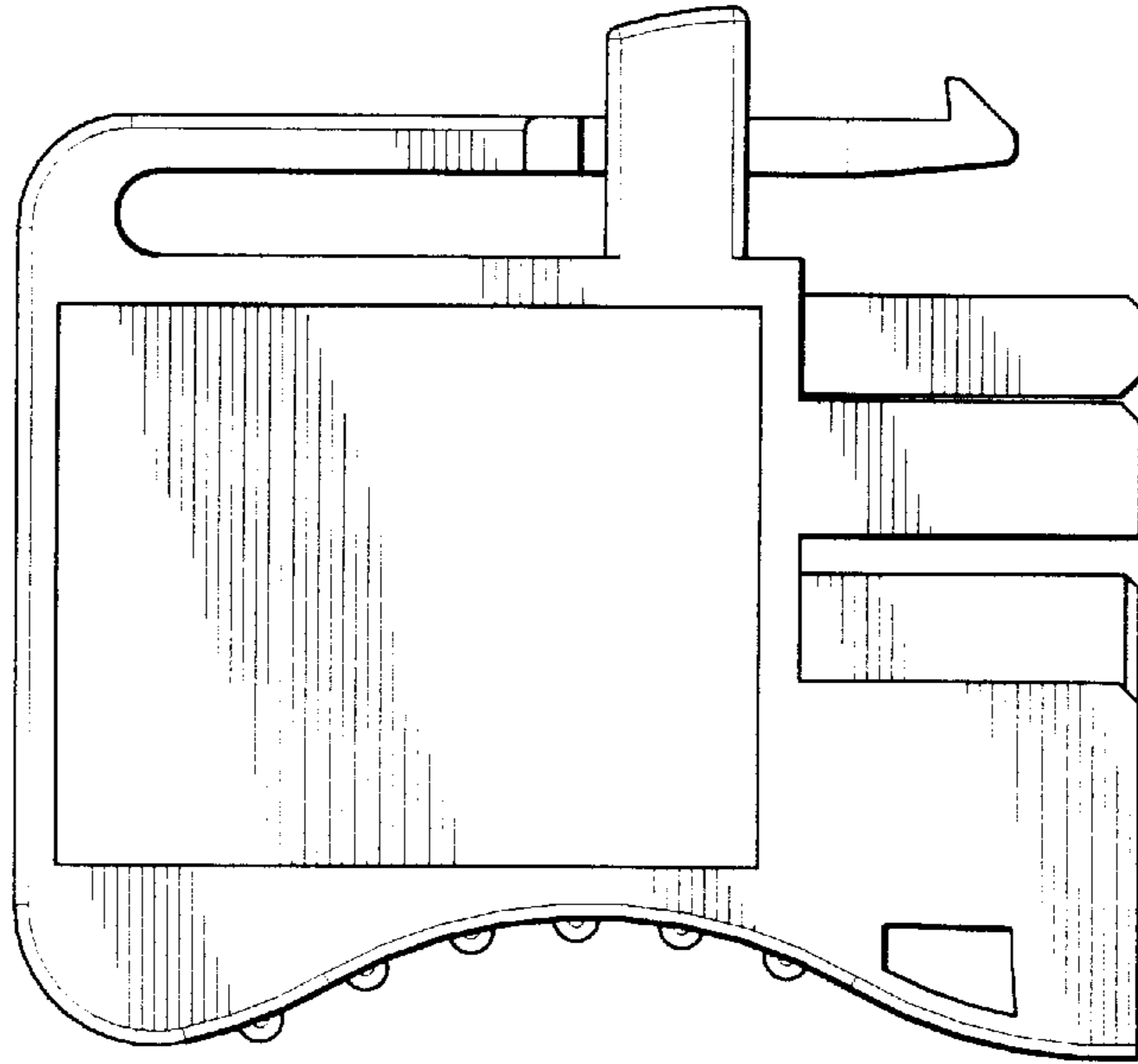


Fig. 5

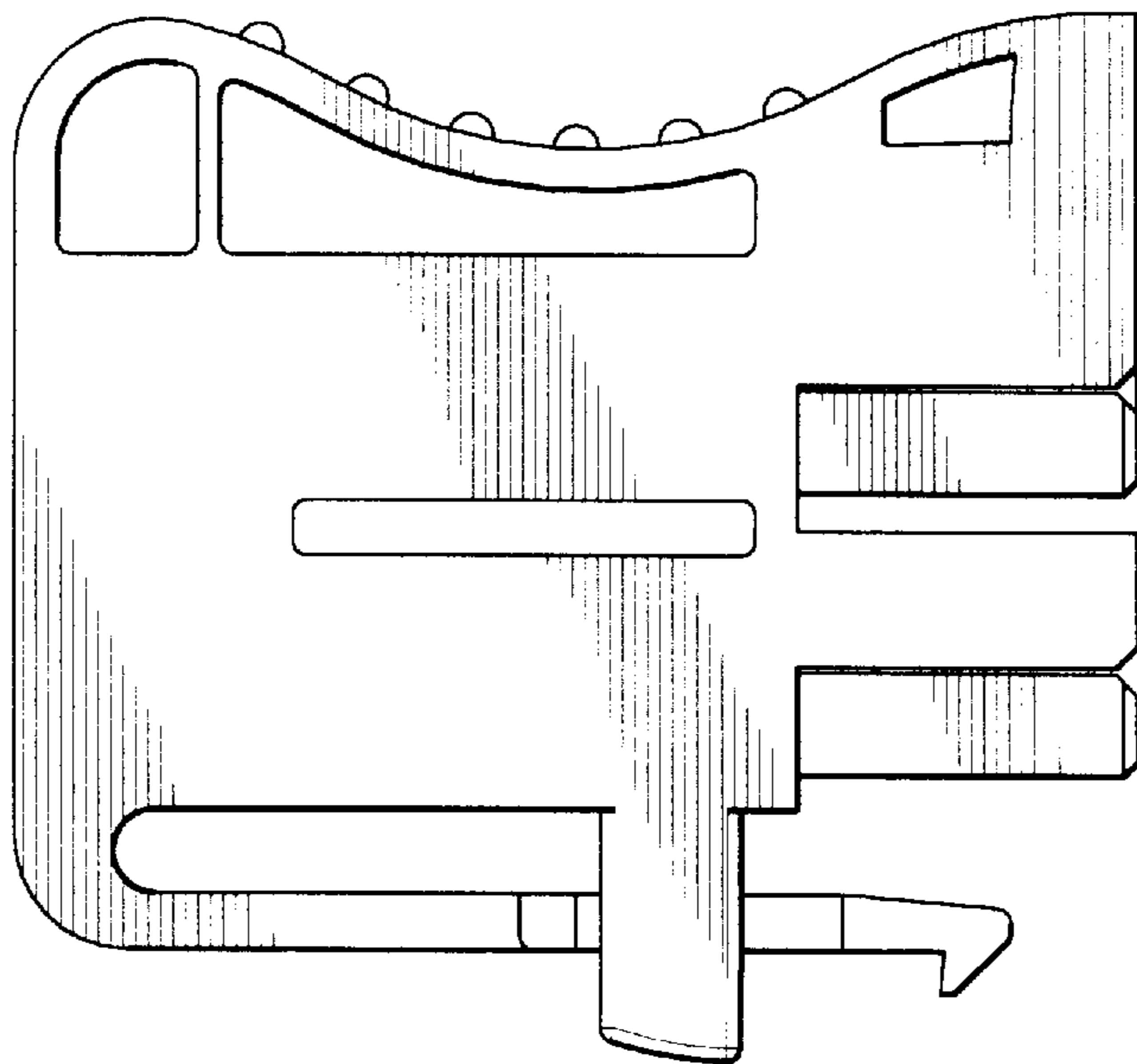


Fig. 6

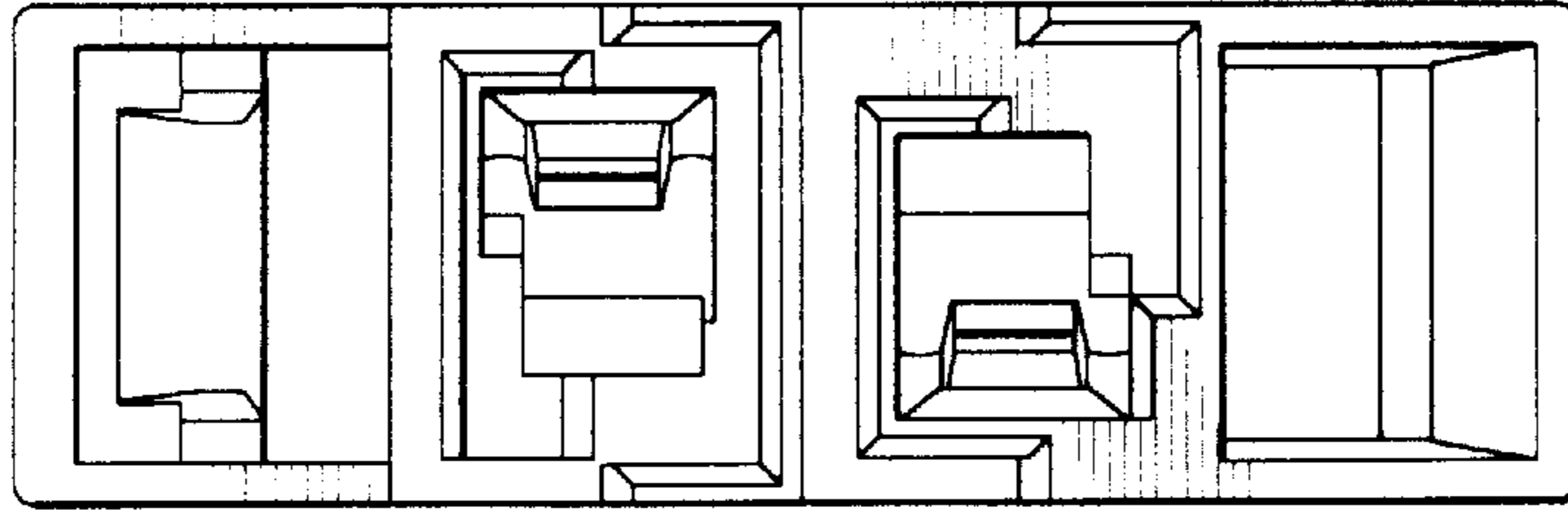


Fig. 7

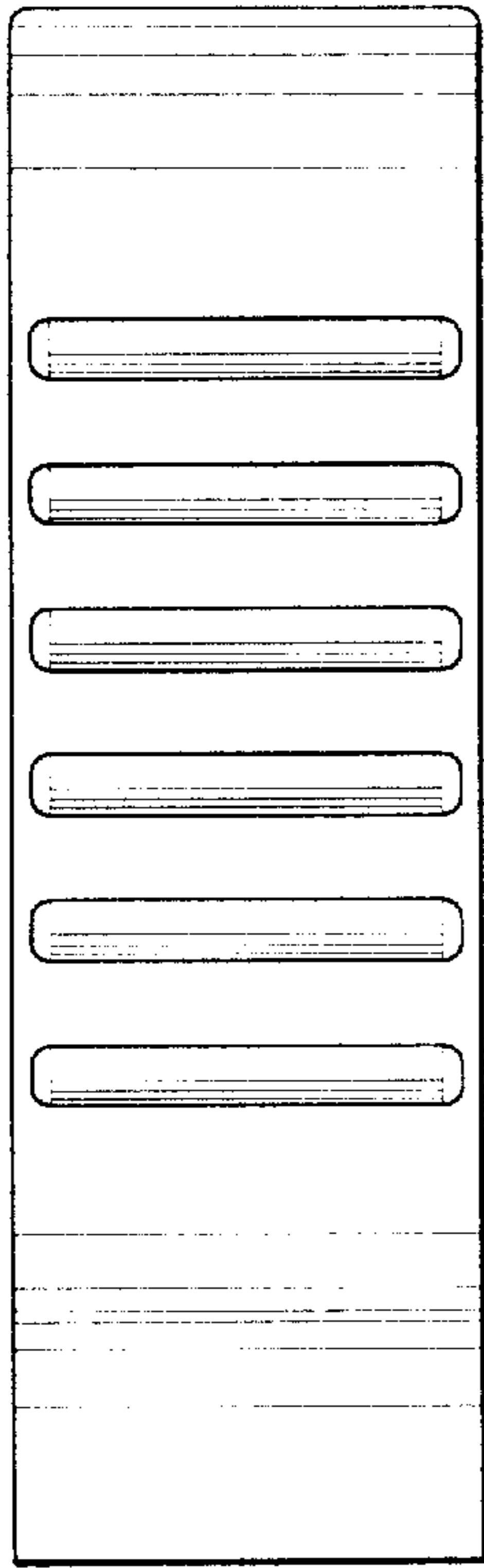


Fig. 8

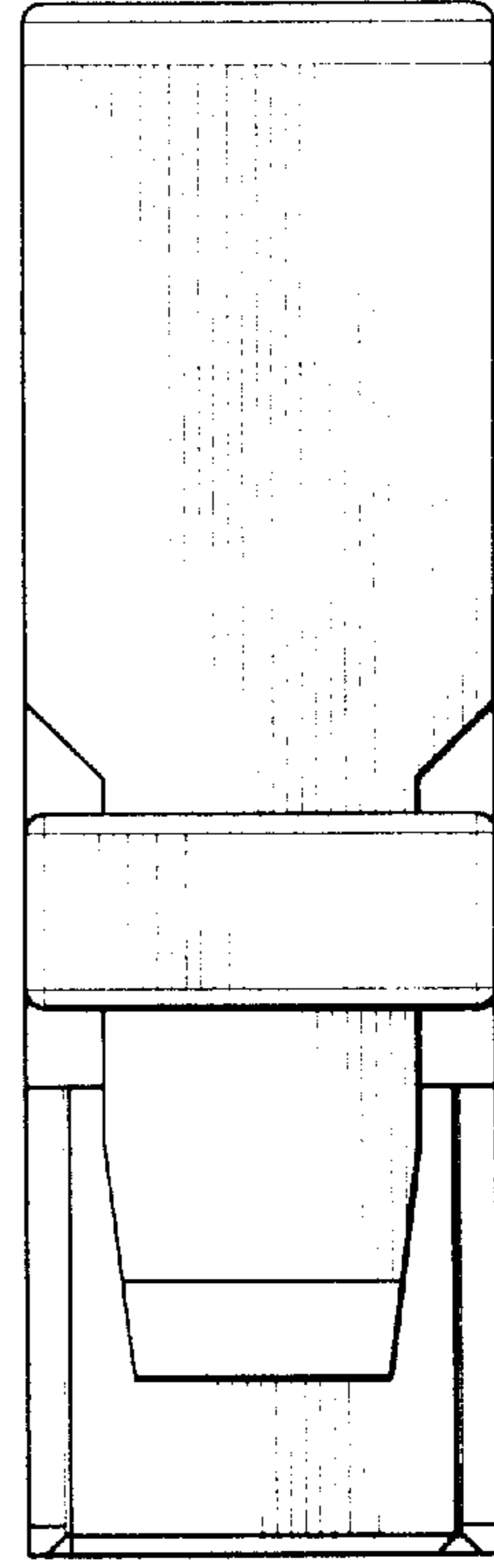


Fig. 9

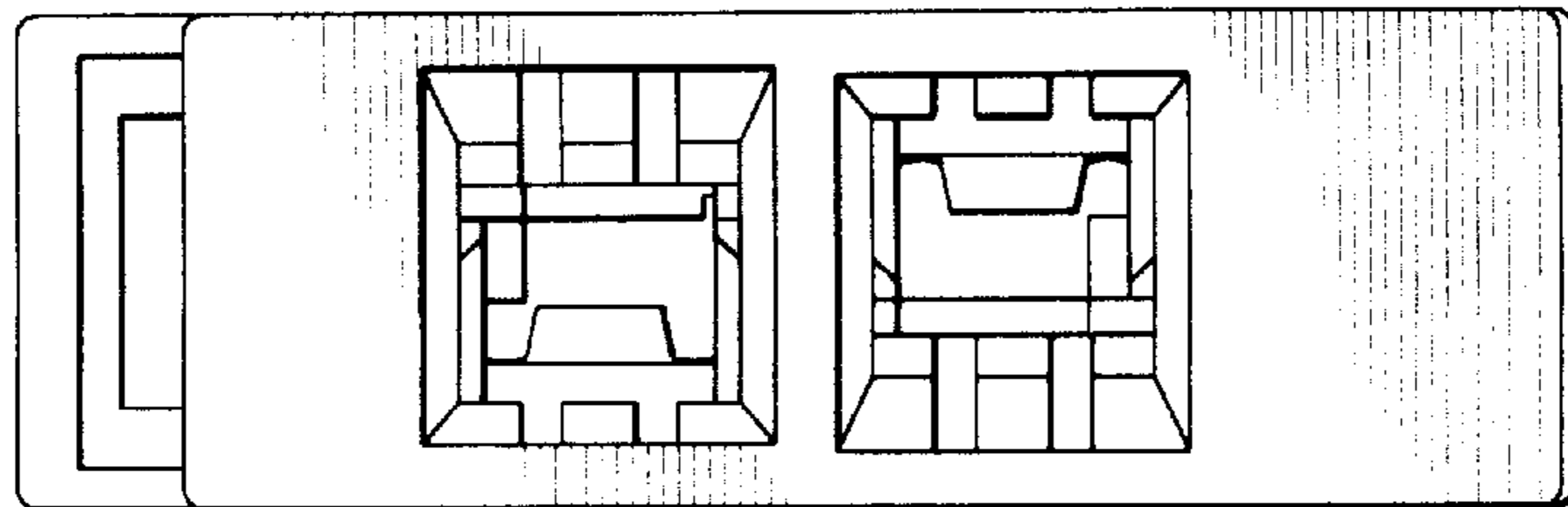


Fig. 10