



US00D402627S

# United States Patent [19]

**Klaus**

[11] **Patent Number: Des. 402,627**

[45] **Date of Patent: \*\*Dec. 15, 1998**

[54] **TRACK-LIGHTING POWER SUPPLY**

[75] Inventor: **Dale A. Klaus**, St. Albans, Mo.

[73] Assignee: **Dal Partnership**, St. Louis, Mo.

[\*\*] Term: **14 Years**

[21] Appl. No.: **85,196**

[22] Filed: **Mar. 17, 1998**

D. 383,114 9/1997 Wandler et al. .... D13/110

*Primary Examiner*—Brian N. Vinson  
*Attorney, Agent, or Firm*—Polster, Lieder, Woodruff & Lucchesi

### [57] CLAIM

The ornamental design for track-lighting power supply, as shown and described.

### DESCRIPTION

FIG. 1 is a perspective view of a track-lighting power supply showing my new design;  
FIG. 2 is a bottom plan view thereof;  
FIG. 3 is a top plan view thereof;  
FIG. 4 is a left side elevational view thereof;  
FIG. 5 is a right side elevational view thereof;  
FIG. 6 is a front elevational view thereof; and,  
FIG. 7 is a rear elevational view thereof.

The broken-line disclosure of a cord and plug in the views is for illustrative purposes only and forms no part of the claimed design.

### Related U.S. Application Data

[62] Division of Ser. No. 73,239, Jul. 10, 1997.

[51] **LOC (6) Cl.** ..... **13-02**

[52] **U.S. Cl.** ..... **D13/110**

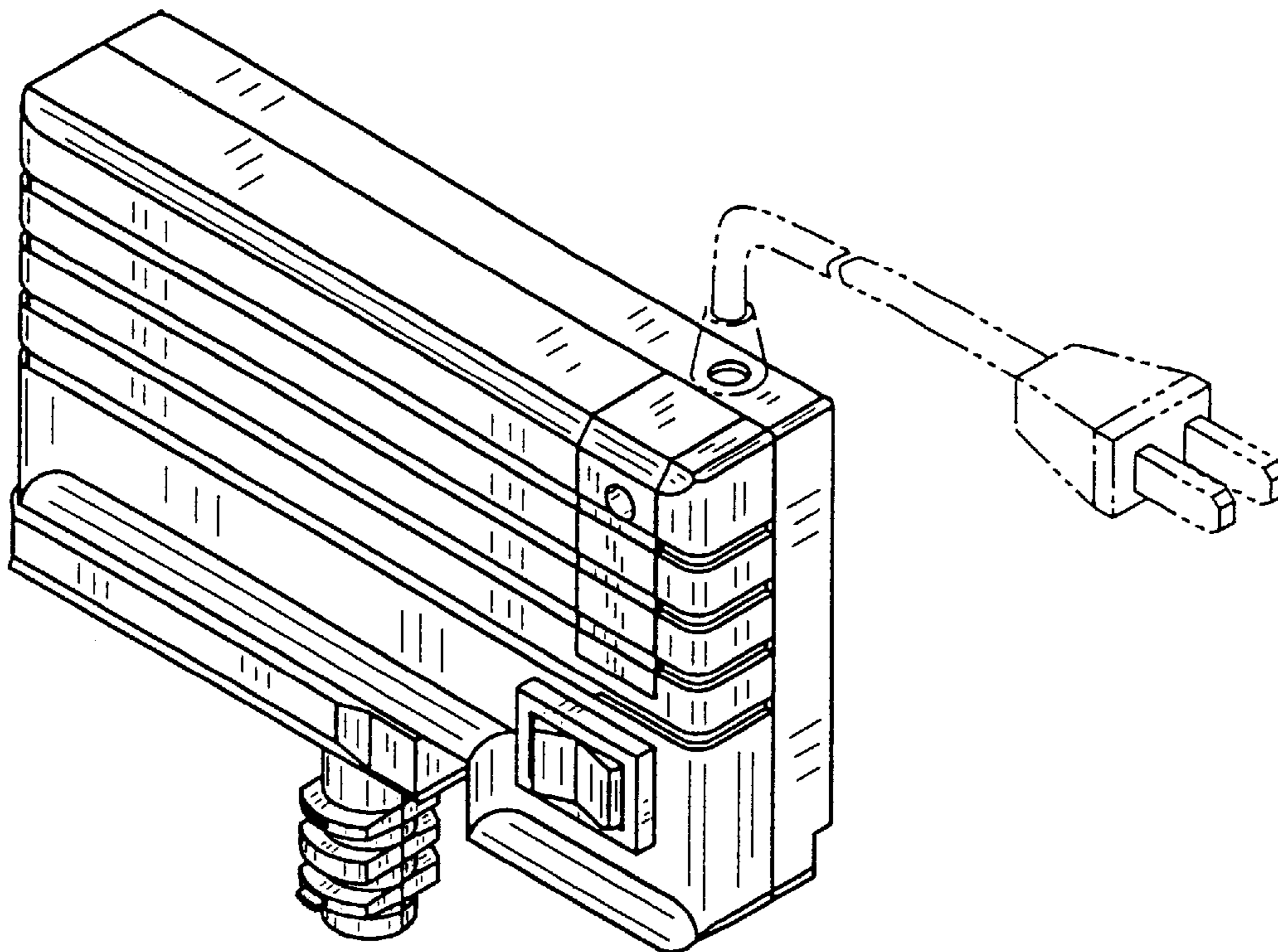
[58] **Field of Search** ..... D13/110; 174/50, 174/52.2; 361/674; 362/404, 408, 362

### [56] References Cited

#### U.S. PATENT DOCUMENTS

D. 290,524 6/1987 Kusmer ..... D13/110

**1 Claim, 2 Drawing Sheets**



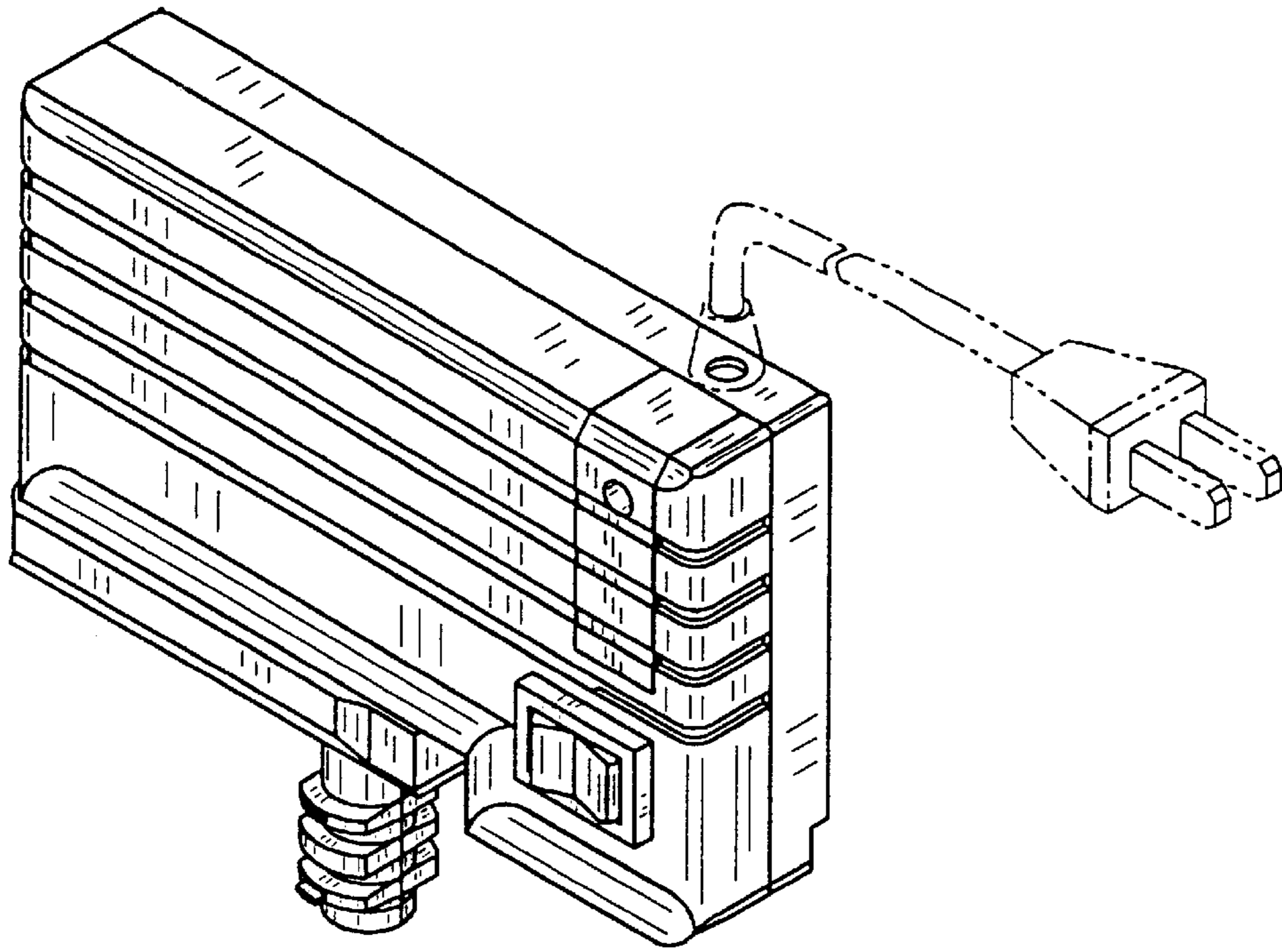


FIG. 1

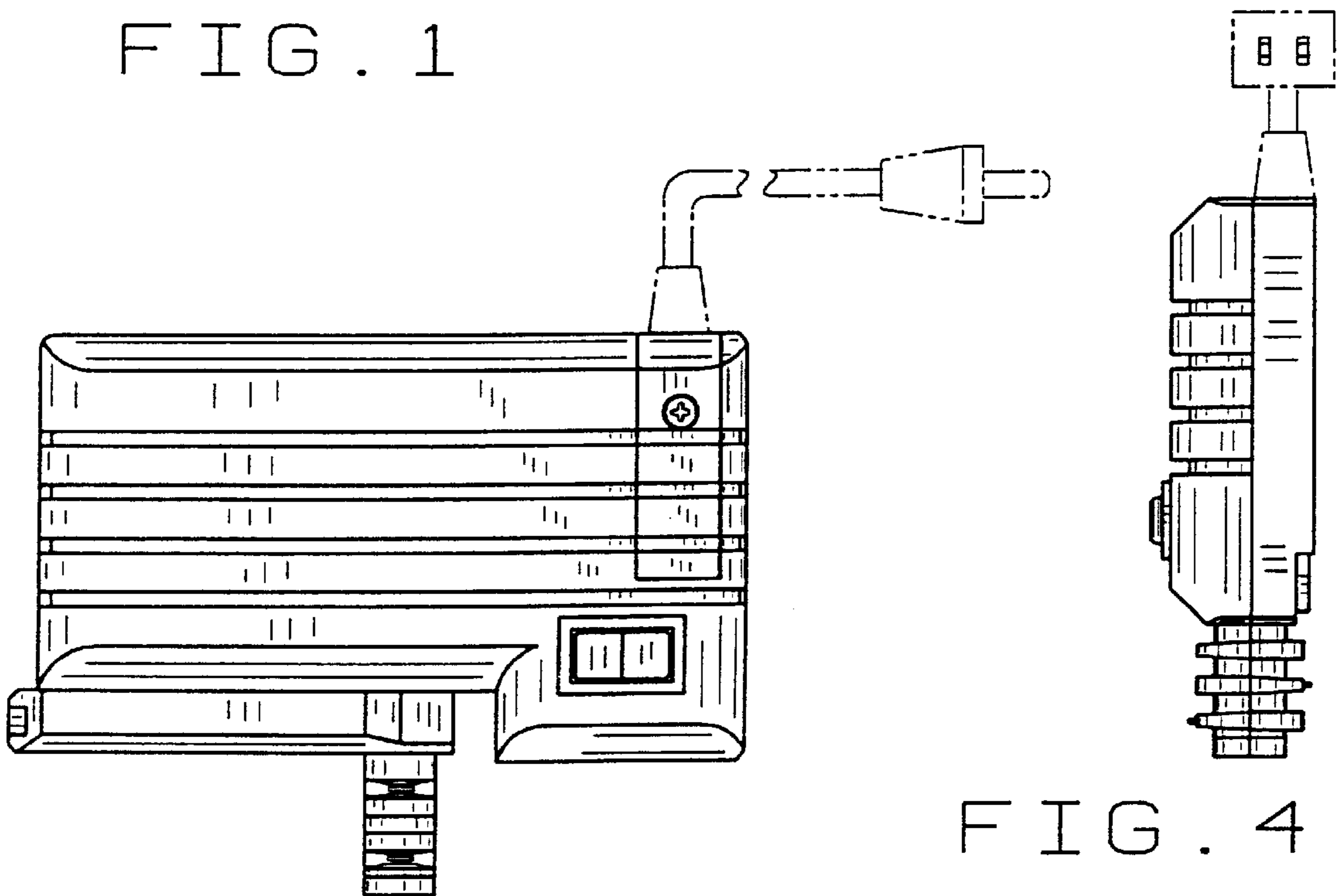


FIG. 2

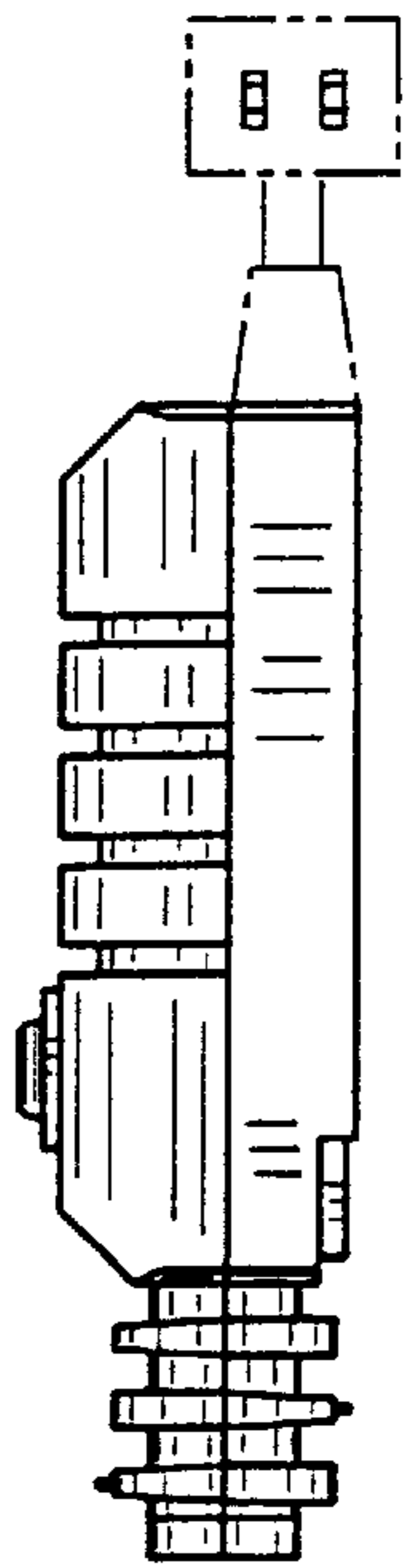


FIG. 4

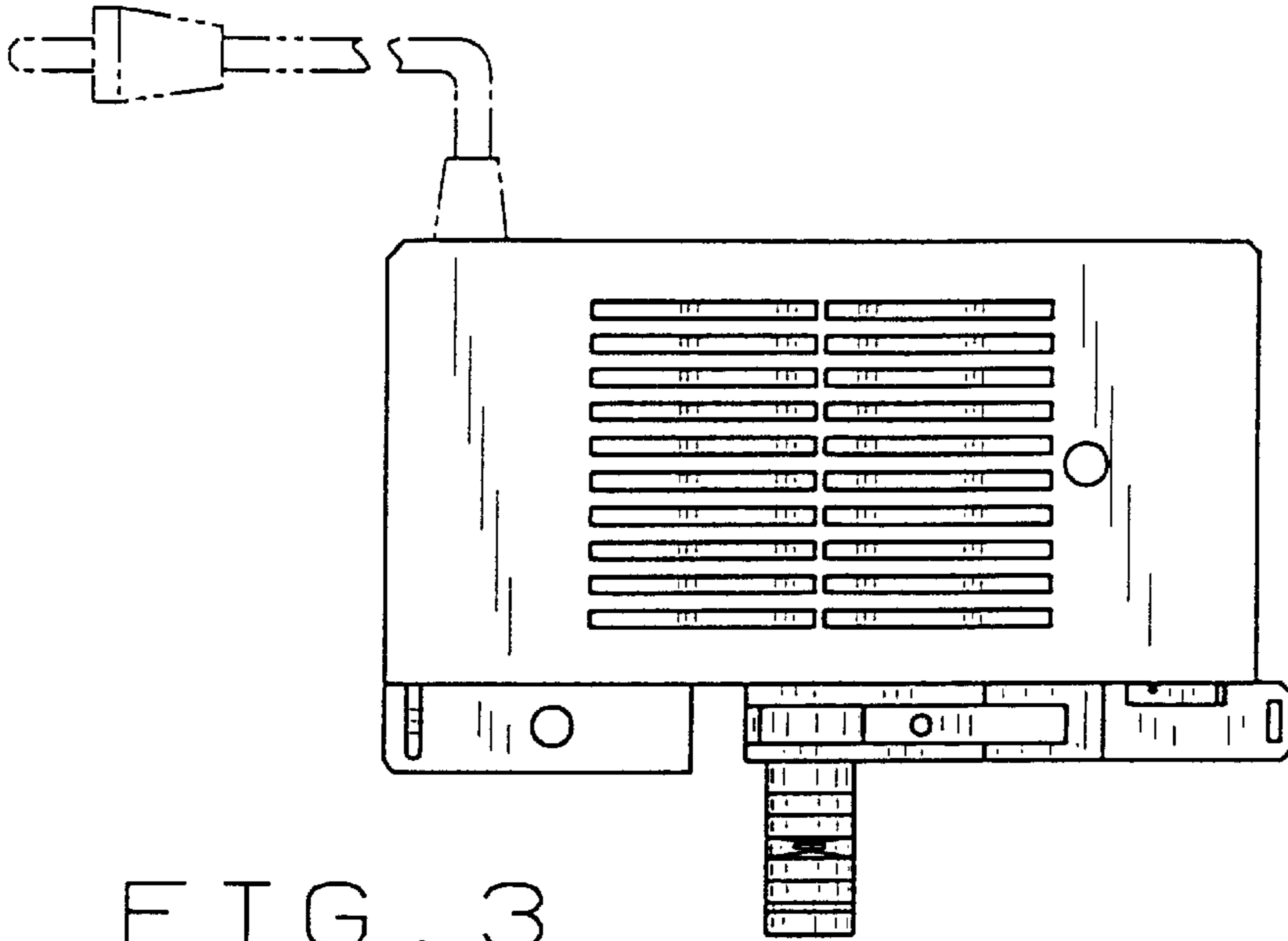


FIG. 3

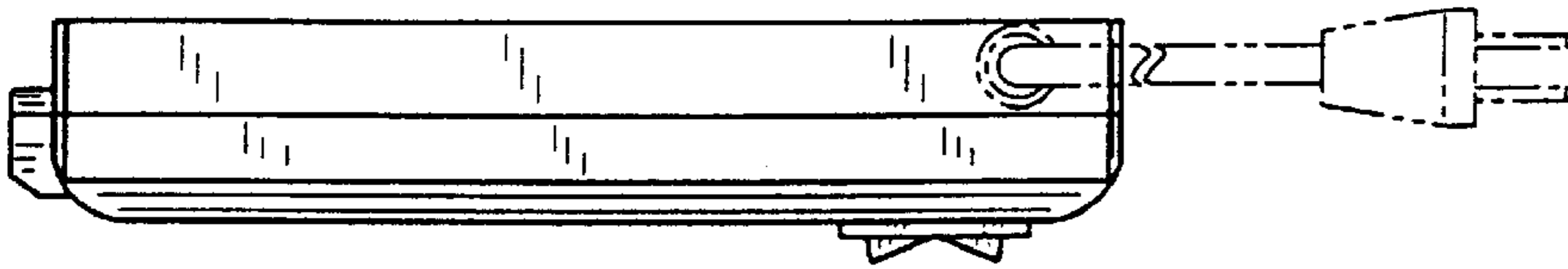


FIG. 6

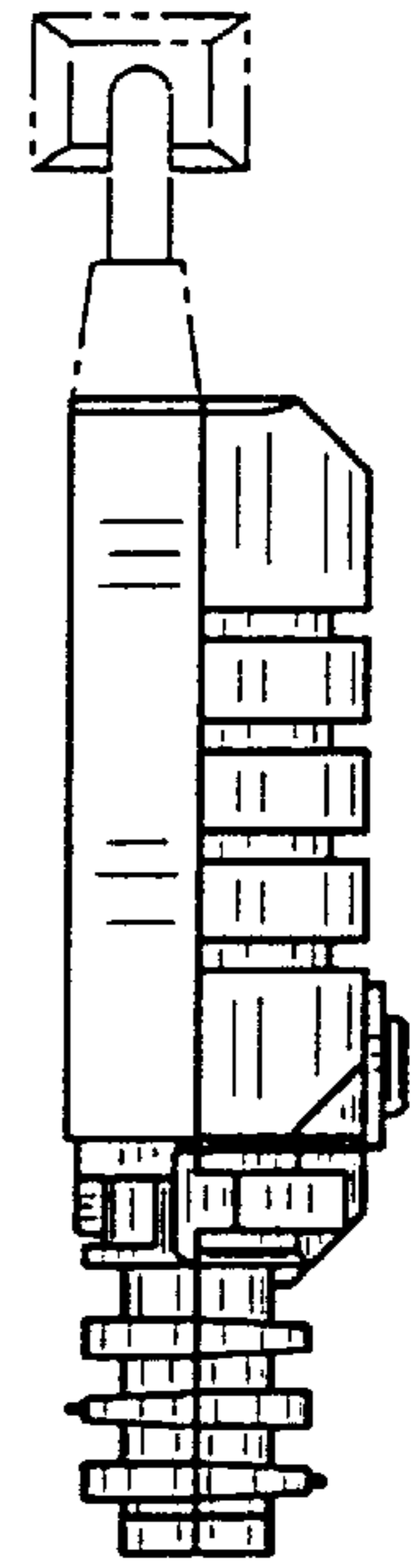


FIG. 5

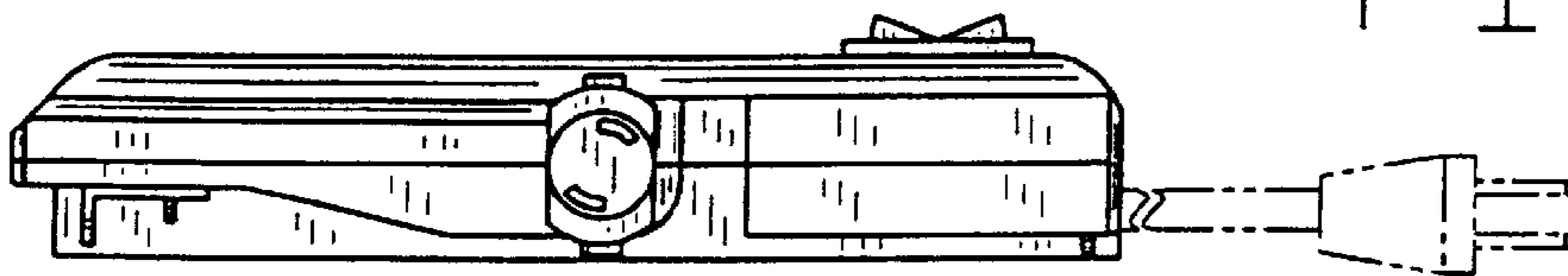


FIG. 7