

US00D402626S

# United States Patent [19]

Fujita et al.

[11] Patent Number: Des. 402,626

[45] Date of Patent: \*\*Dec. 15, 1998

[54] **UNINTERRUPTIVE POWER SUPPLY FOR AN ELECTRONIC APPARATUS**

[75] Inventors: **Shinichi Fujita; Mitsuo Kiriya**, both of Tokyo, Japan

[73] Assignee: **Mitsubishi Denki Kabushiki Kaisha**, Tokyo, Japan

[\*\*] Term: **14 Years**

[21] Appl. No.: **61,454**

[22] Filed: **Oct. 24, 1996**

[30] **Foreign Application Priority Data**

Apr. 24, 1996 [JP] Japan ..... 811979

[51] **LOC (6) Cl.** ..... **13-02**

[52] **U.S. Cl.** ..... **D13/110**

[58] **Field of Search** ..... D13/110, 123; 307/64, 66

[56] **References Cited**

**U.S. PATENT DOCUMENTS**

- D. 314,174 1/1991 Wong ..... D13/123
- D. 339,101 9/1993 Delamoreaux et al. .... D13/110
- D. 374,861 10/1996 Mousa ..... D13/110
- 5,424,588 6/1995 Cantor et al. .... 307/66 X

Primary Examiner—Joel Sincavage

Attorney, Agent, or Firm—Oblon, Spivak, McClelland, Maier & Neustadt, P.C.

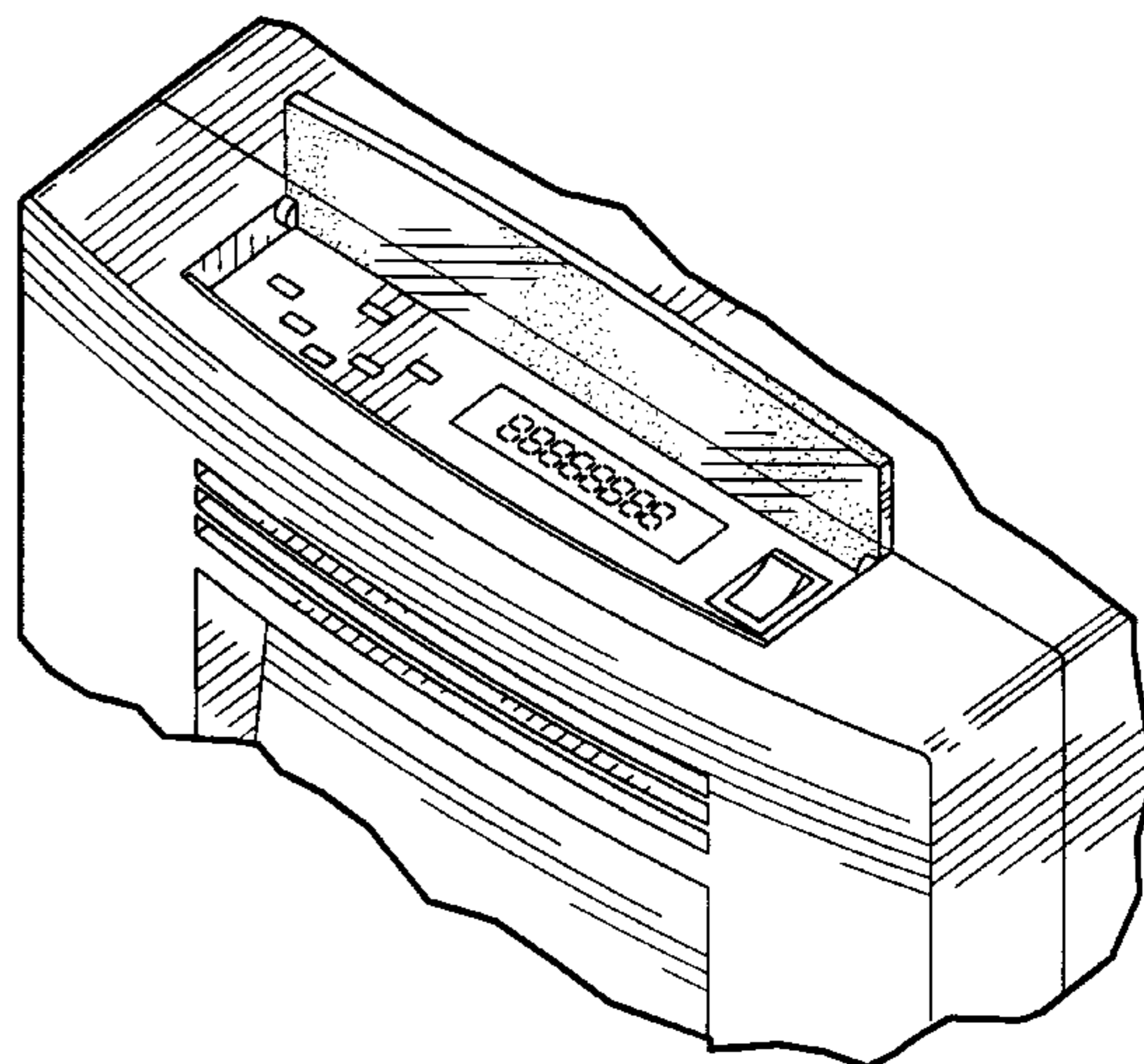
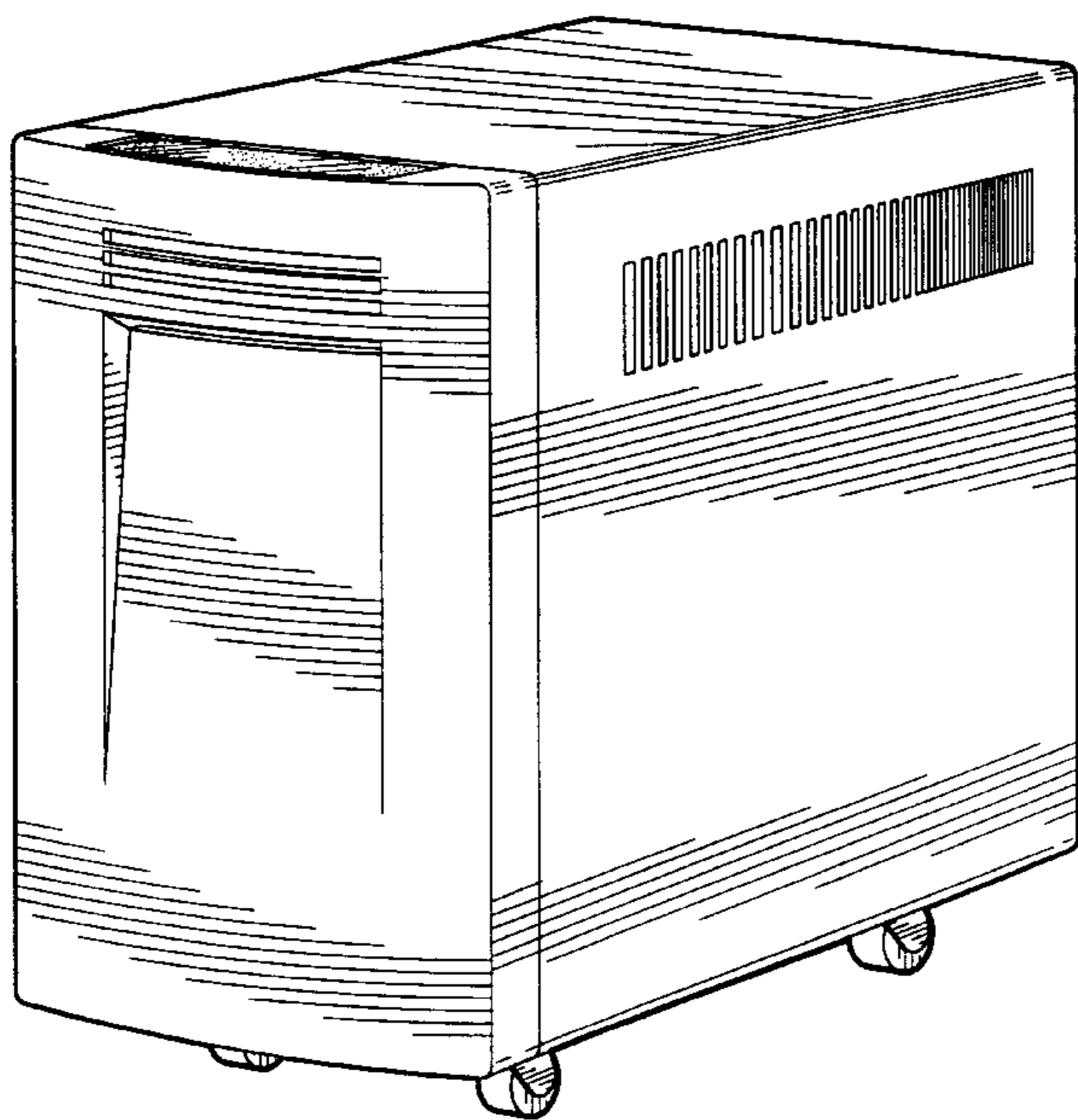
[57] **CLAIM**

The ornamental design for an uninterruptive power supply for an electronic apparatus, as shown and described.

**DESCRIPTION**

FIG. 1 is a front elevational view of an uninterruptive power supply for an electronic apparatus, showing our new design; FIG. 2 is a rear elevational view thereof; FIG. 3 is a top plan view thereof; FIG. 4 is a bottom plan view thereof; FIG. 5 is a right side elevational view thereof the left side being symmetrical to the right; FIG. 6 is a cross sectional view thereof, showing end surfaces taken along line 6—6 of FIG. 1 with the internal system omitted; FIG. 7 is a front, top and right side perspective view thereof; FIG. 8 is a front, top and right side perspective detail view showing the display panel cover opened and the display energized; FIG. 9 is a top plan detail view of a second embodiment showing a front corner of our new design with the transparent display cover being tinted. All other aspects of the second embodiment are the same as the first; and, FIG. 10 is a top plan detail view of a first embodiment showing the front corner with the light transmitting portions of the display hatched in contrast with the rest of the panel.

1 Claim, 4 Drawing Sheets



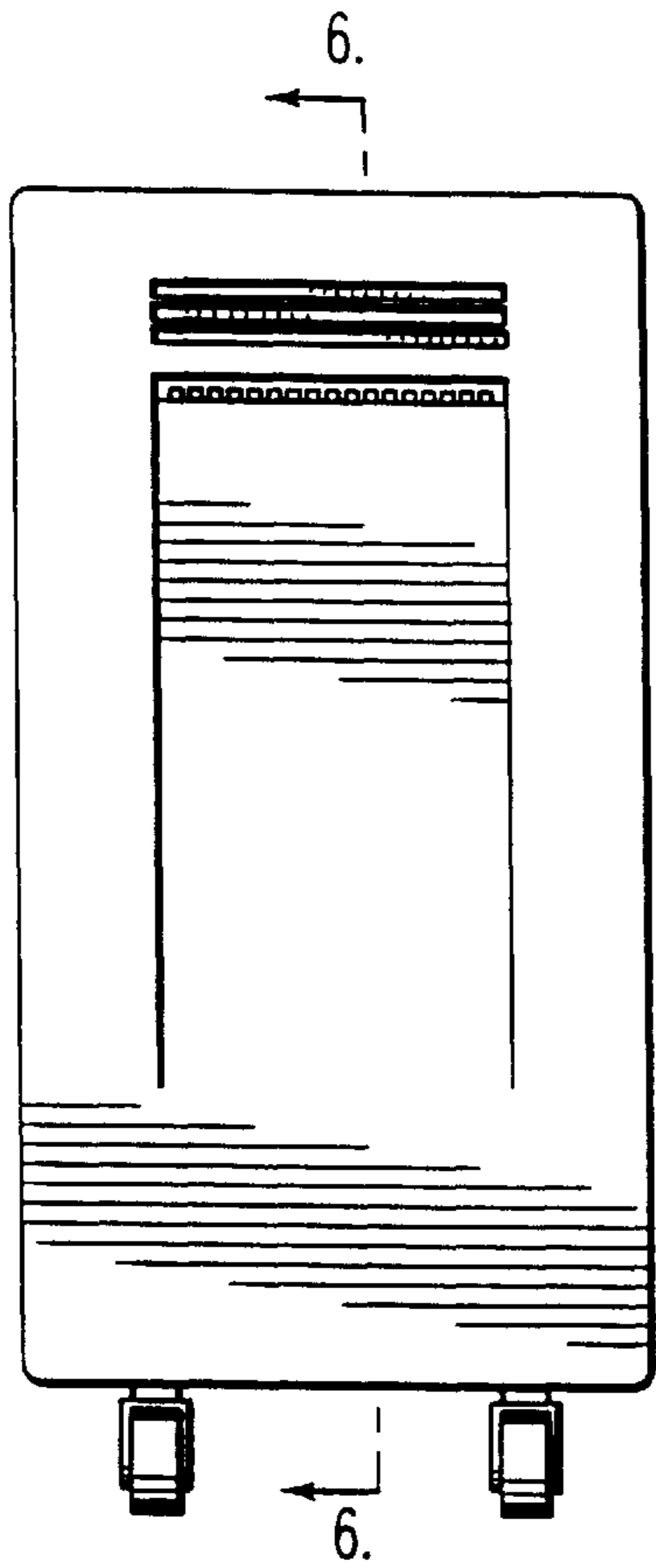


FIG. 1

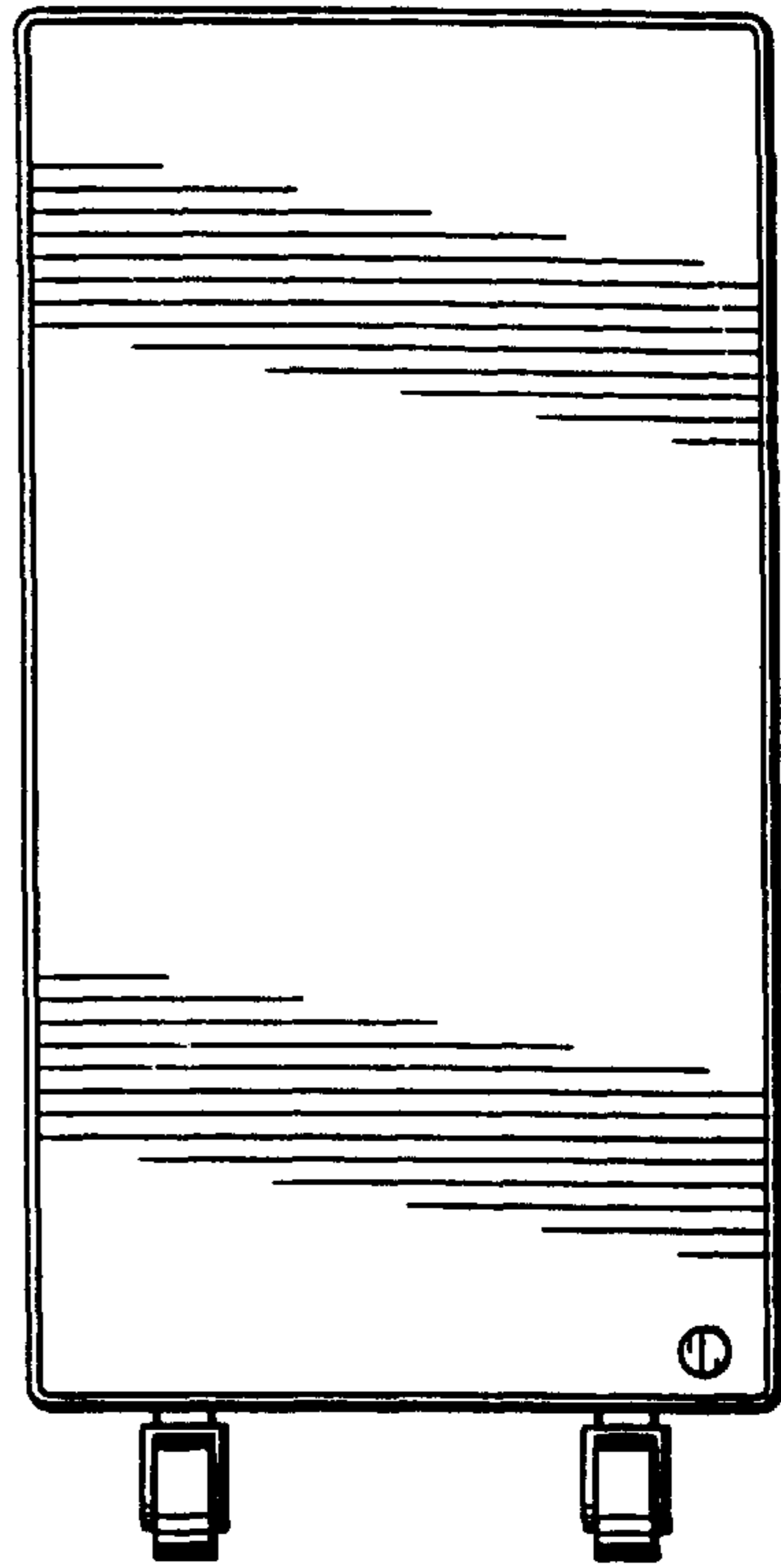


FIG. 2

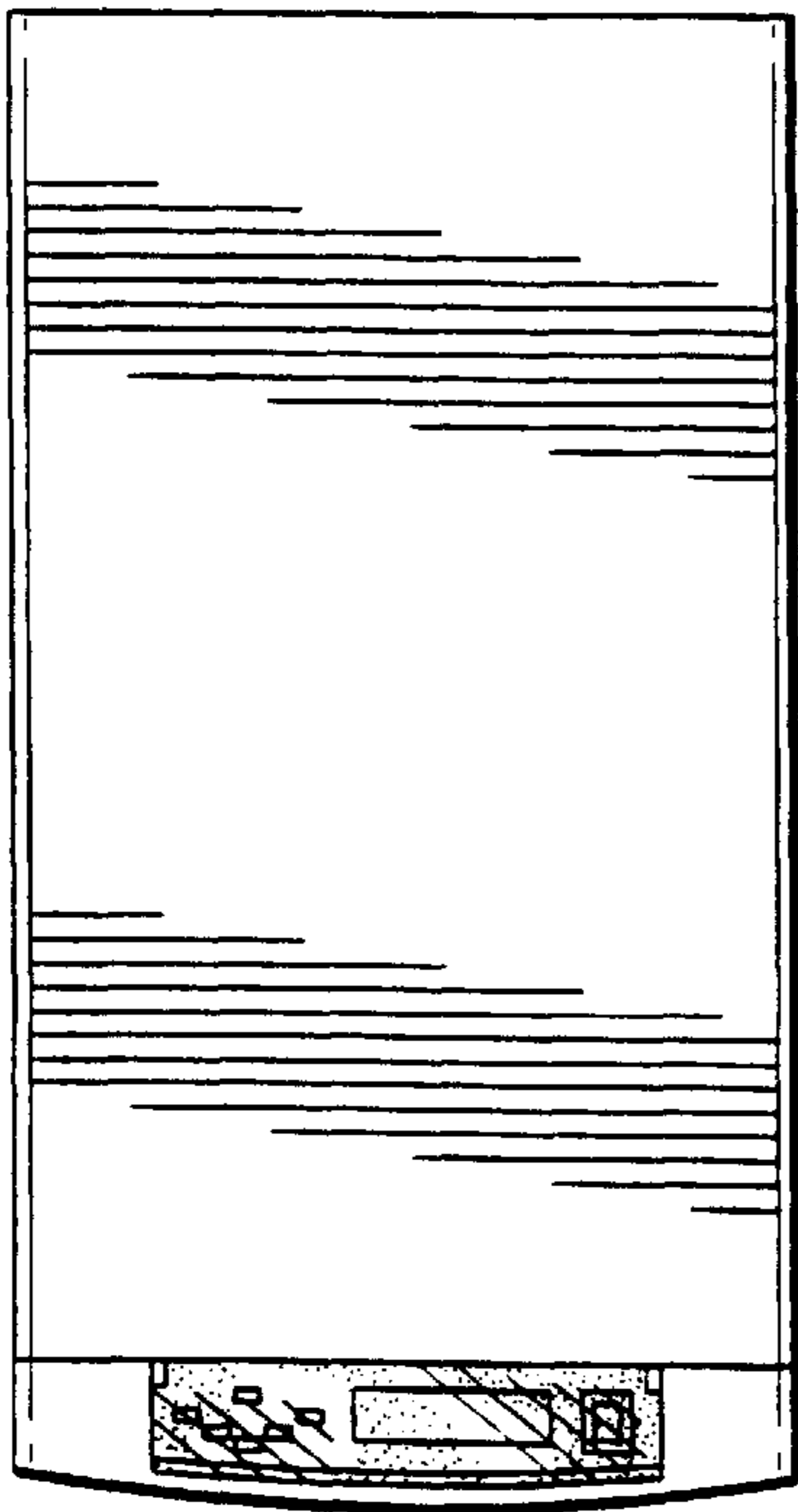


FIG. 3

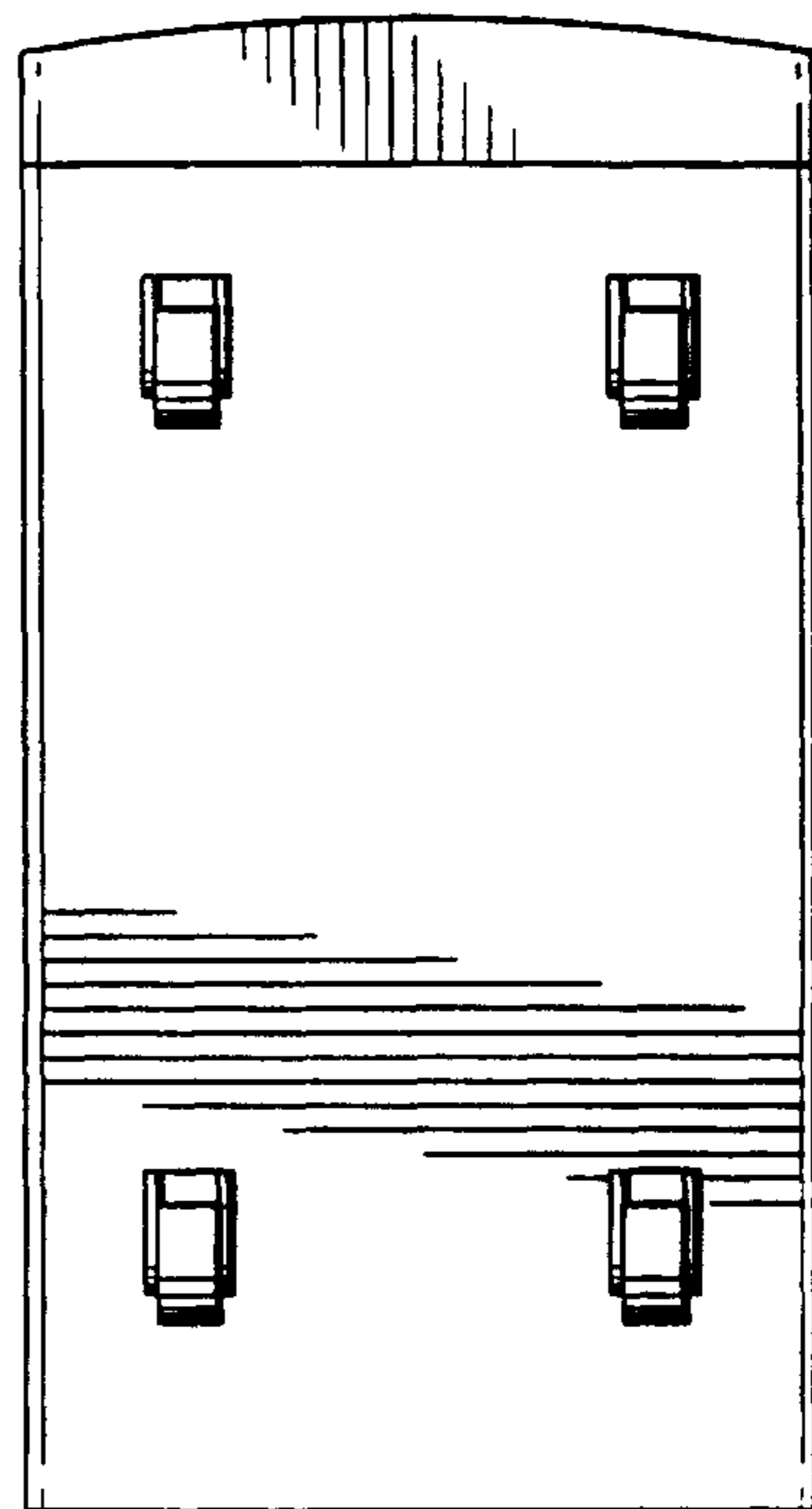


FIG. 4

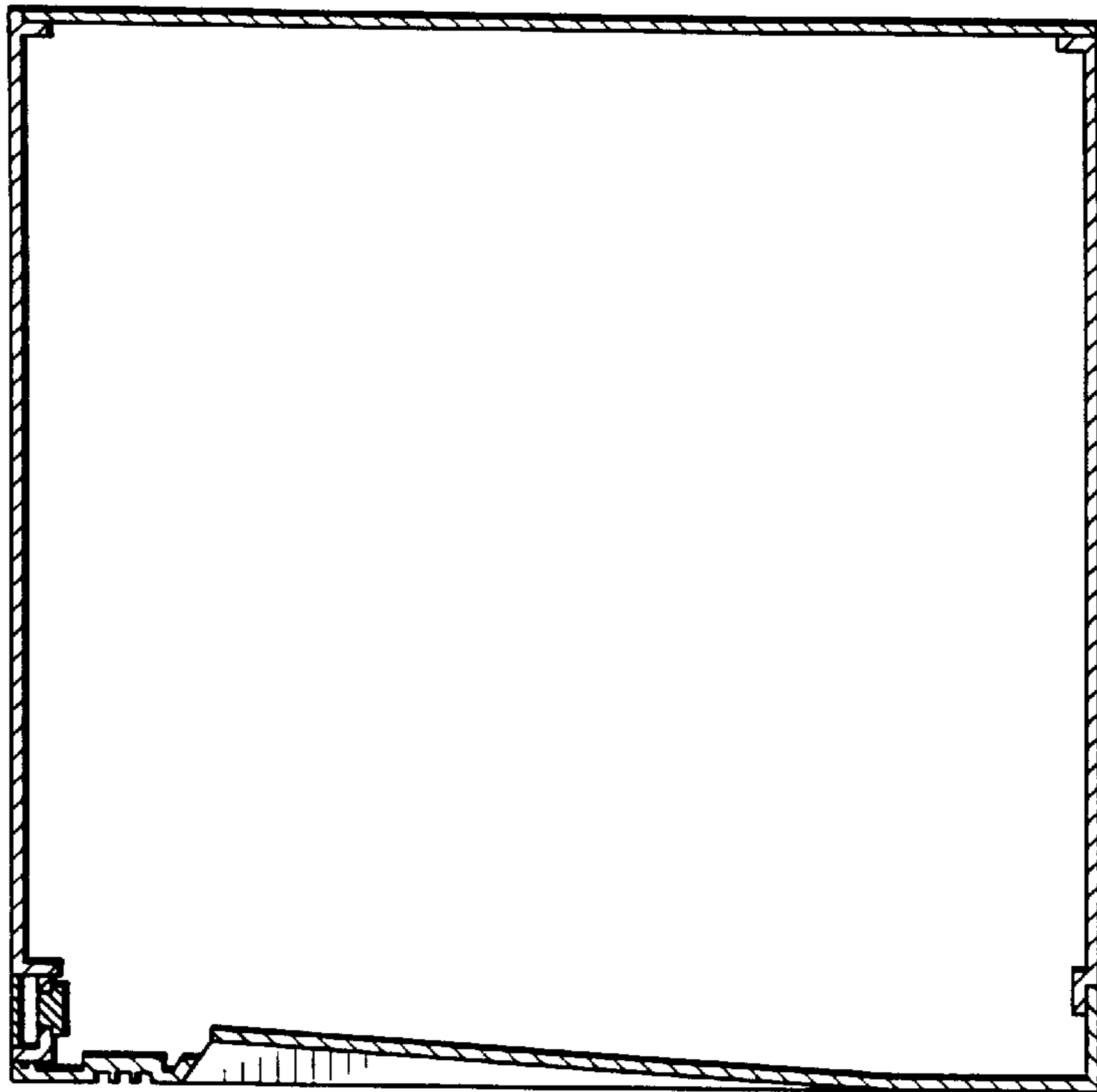


FIG. 6

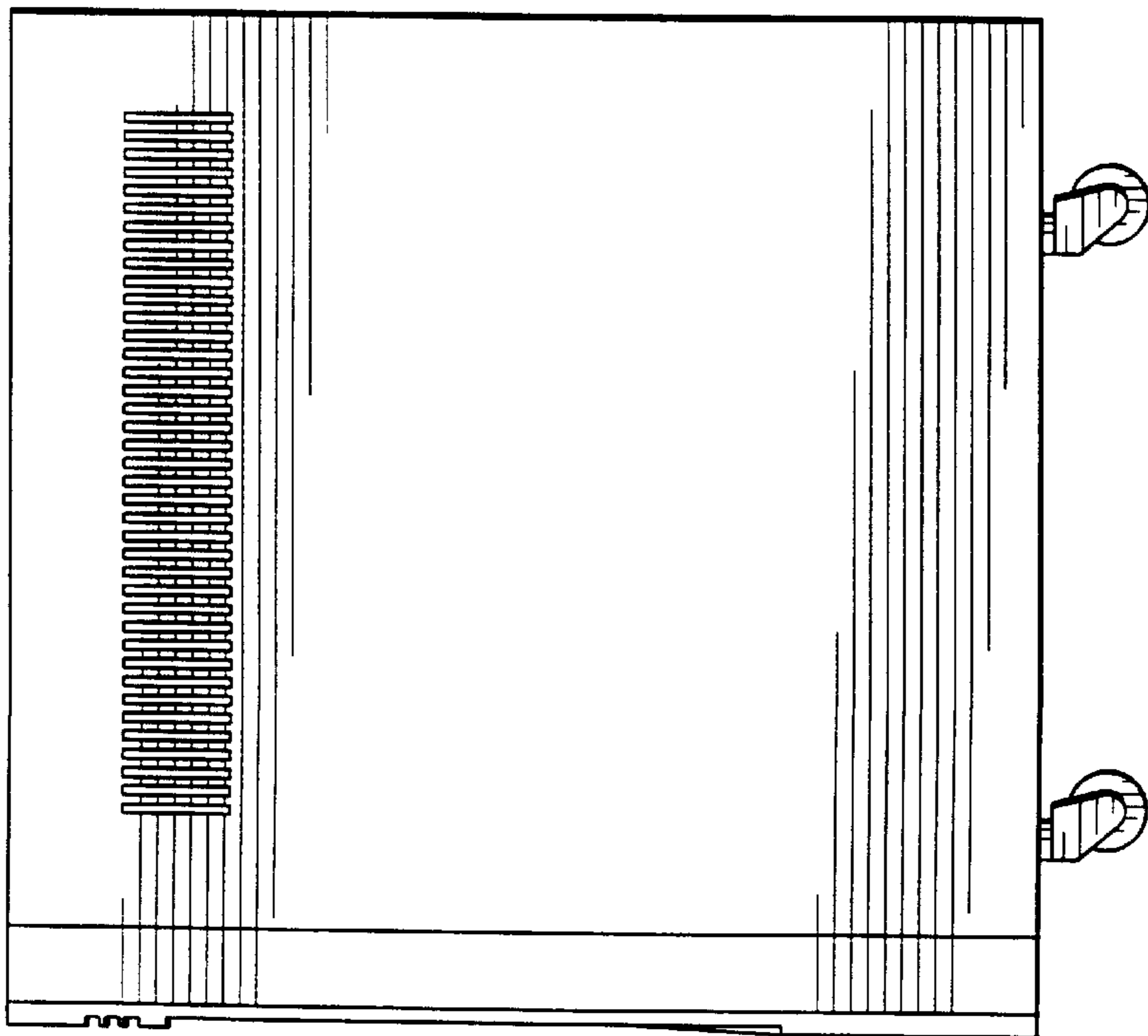
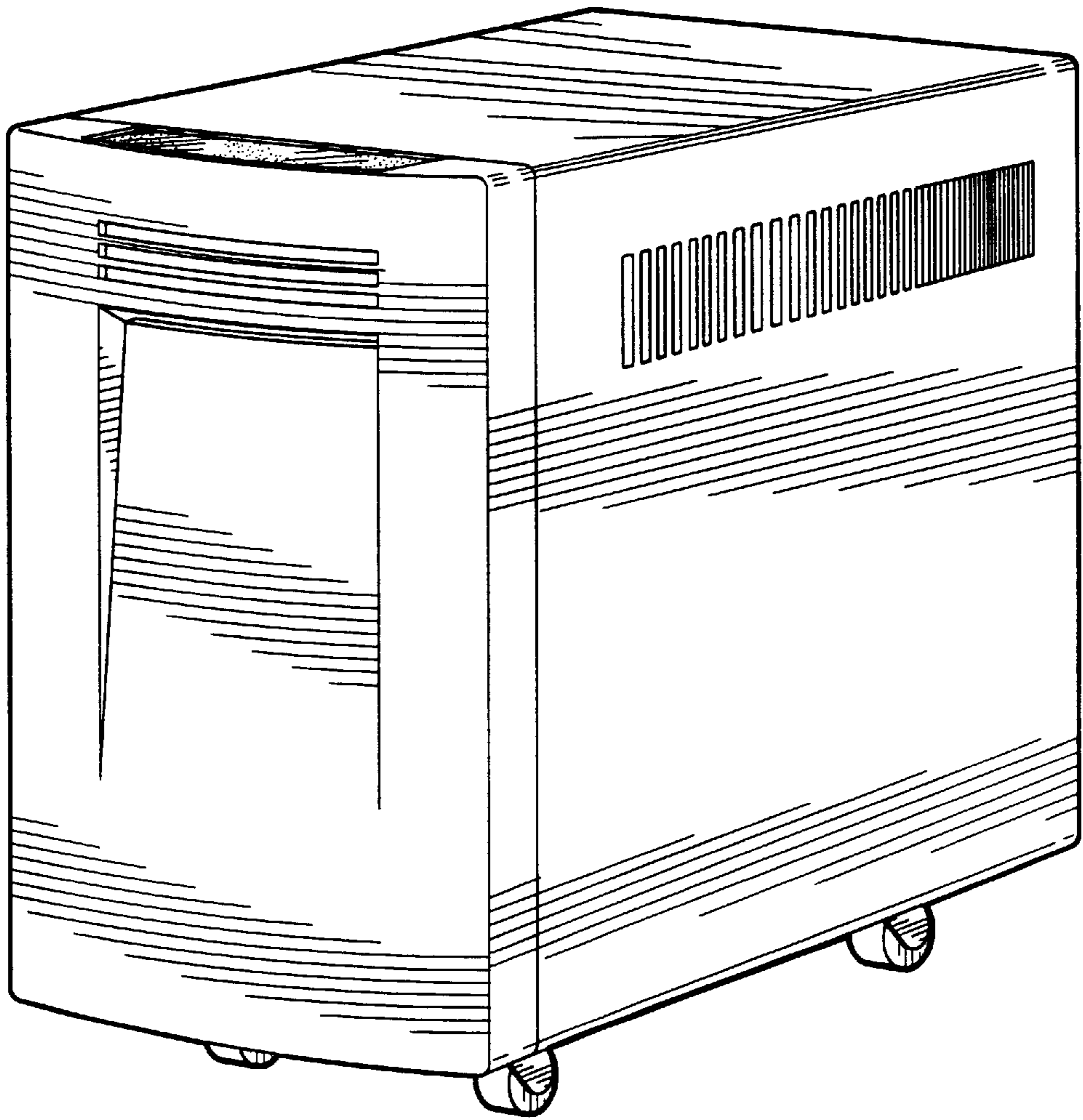
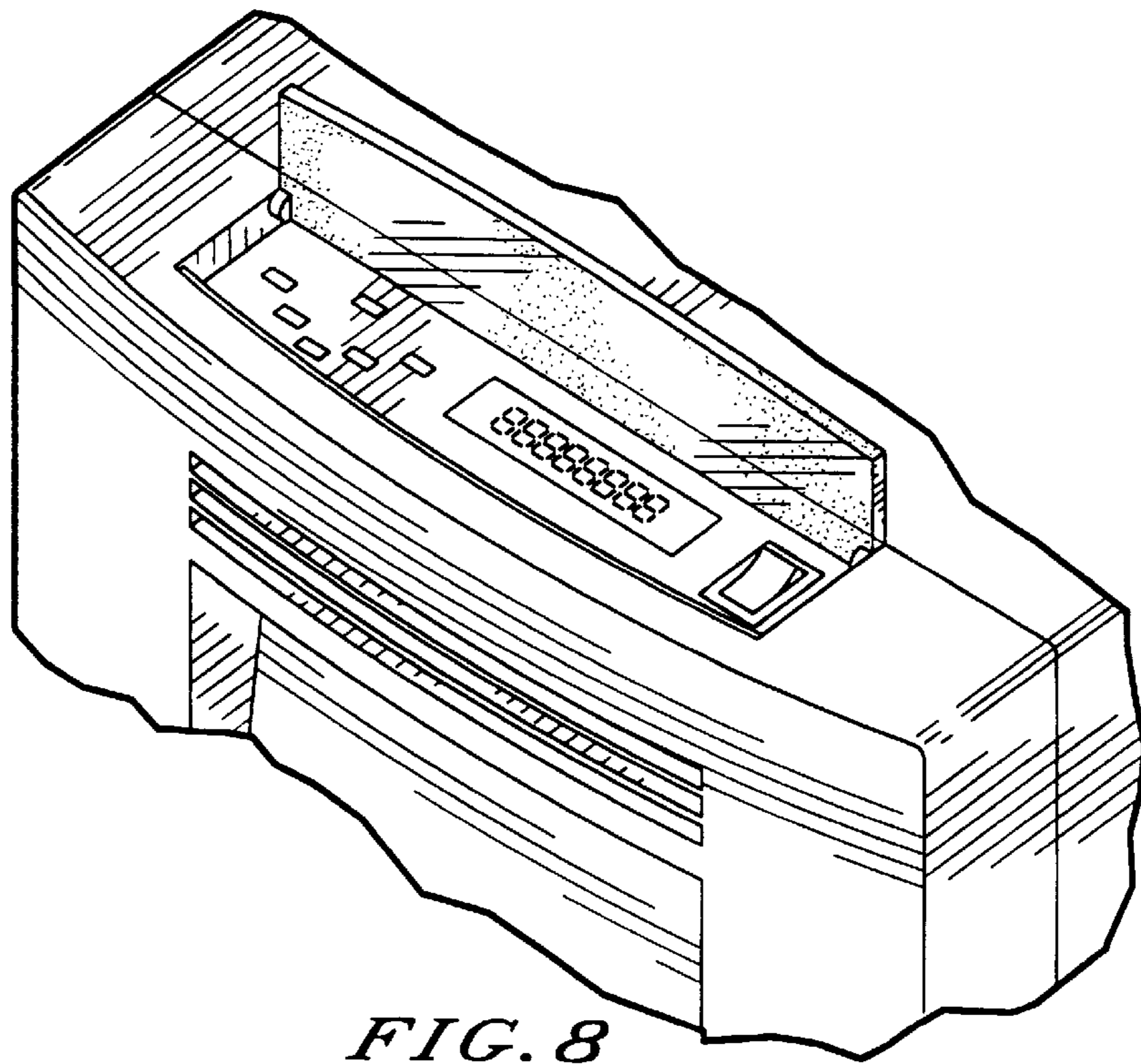


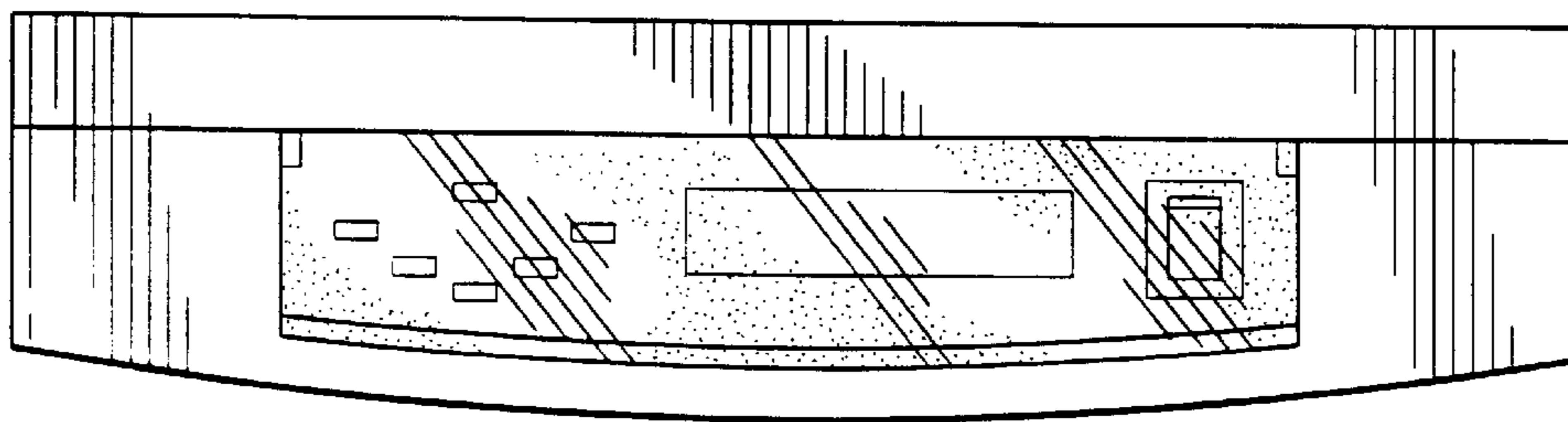
FIG. 5



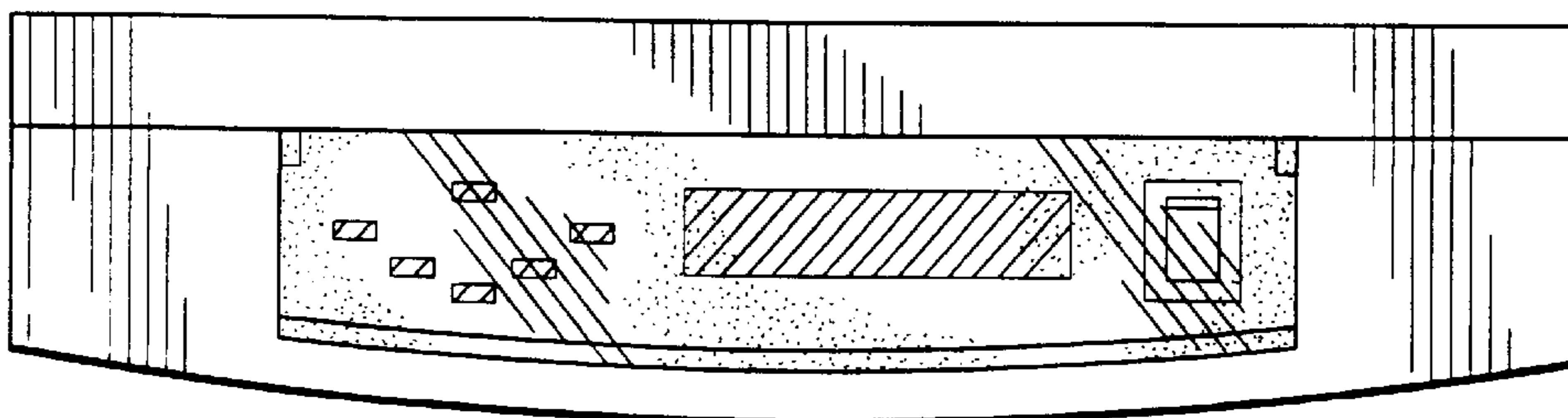
*FIG. 7*



*FIG. 8*



*FIG. 9*



*FIG. 10*