



US00D402623S

United States Patent [19]
Rosenfeld

[11] **Patent Number: Des. 402,623**

[45] **Date of Patent: **Dec. 15, 1998**

[54] **REMOVABLE CARGO SHELF ASSEMBLY FOR A VEHICLE**

4,717,193 1/1988 Noriega 296/37.7
5,083,828 1/1992 Accettura 296/37.6

[75] Inventor: **Timothy D. Rosenfeld**, Hacienda Heights, Calif.

Primary Examiner—James Gandy
Assistant Examiner—Stacia Sinuik

[73] Assignee: **R & G Ventures, LLC.**, Irvine, Calif.

[57] **CLAIM**

[**] Term: **14 Years**

The ornamental design for a removable cargo shelf assembly for a vehicle, as shown and described.

[21] Appl. No.: **66,499**

DESCRIPTION

[22] Filed: **Feb. 13, 1997**

[51] **LOC (6) Cl.** **12-16**

[52] **U.S. Cl.** **D12/415; D6/429; D6/480**

[58] **Field of Search** D12/406, 412,
D12/415-416, 400; 296/37.1, 37.5, 37.6,
37.8, 37.16, 24.1; 224/311, 314, 320, 42.32;
D6/480, 429

FIG. 1 is a perspective view of a top removable cargo shelf assembly for a vehicle showing my new design; FIG. 2 is a front elevation view thereof; FIG. 3 is a back elevation view thereof; FIG. 4 is a bottom view thereof; FIG. 5 is a left side elevation view thereof; FIG. 6 is a right side elevation view thereof; FIG. 7 is an enlarged perspective view thereof, with the platform shown folded and partially broken away for clarity of illustration. The broken lines showing of the seat back of a vehicle is for illustrative purposes only and forms no part of the claimed design; FIG. 8 is an enlarged top perspective view of the frame of the removable cargo shelf assembly for a vehicle in partially folded condition and shown separately for clarity of illustration; and, FIG. 9 is an enlarged fragmentary bottom perspective view of the platform and a portion of the frame thereof.

[56] **References Cited**

U.S. PATENT DOCUMENTS

D. 193,389	8/1962	Kardach	D12/415	X
D. 305,632	1/1990	Kraklio	D12/400	
D. 347,611	6/1994	Phillips	D12/415	
2,767,896	10/1956	Beck	296/37.16	
2,889,097	6/1959	Broehl	296/37.1	
3,291,520	12/1966	Smith	296/24.1	
4,351,555	9/1982	Hashimoto	296/37.16	
4,648,648	3/1987	Shigesada	296/37.16	

1 Claim, 2 Drawing Sheets

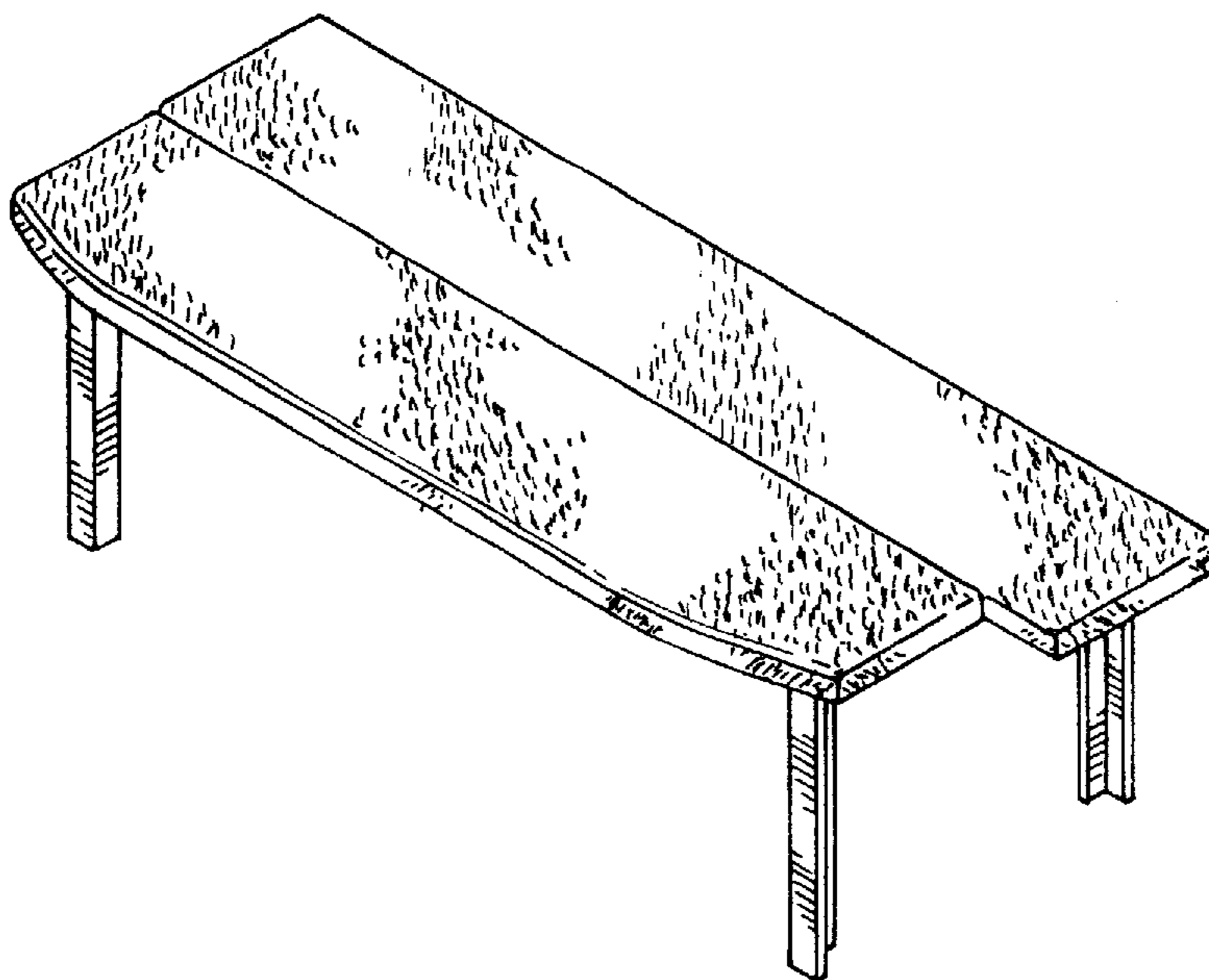


FIG. 1

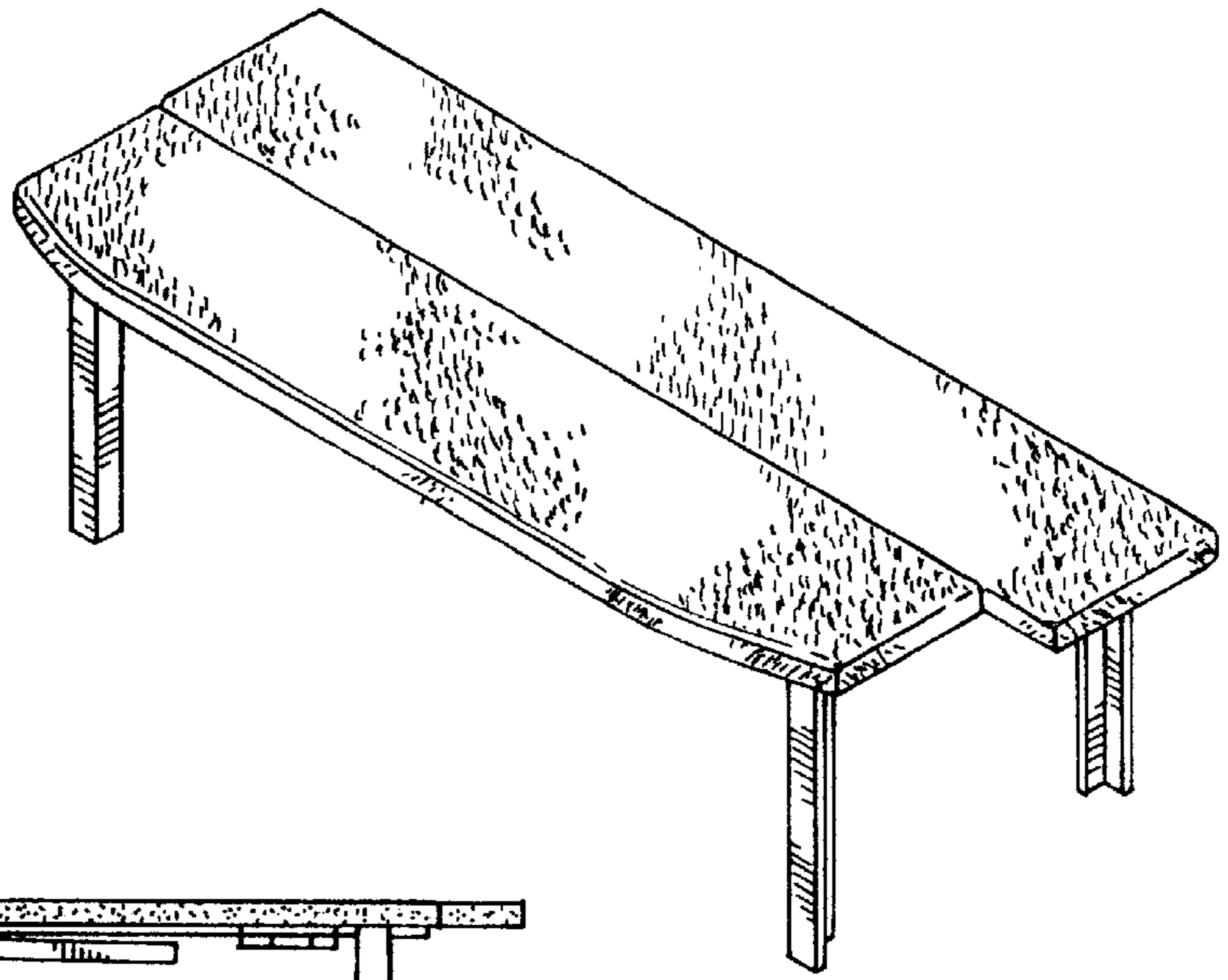


FIG. 2

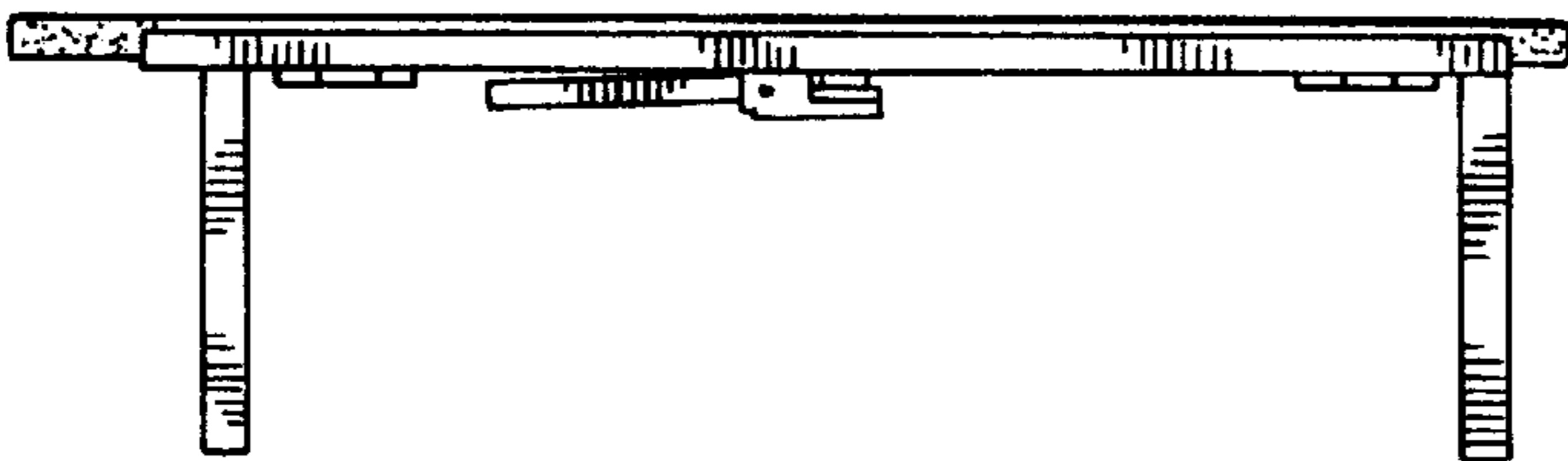
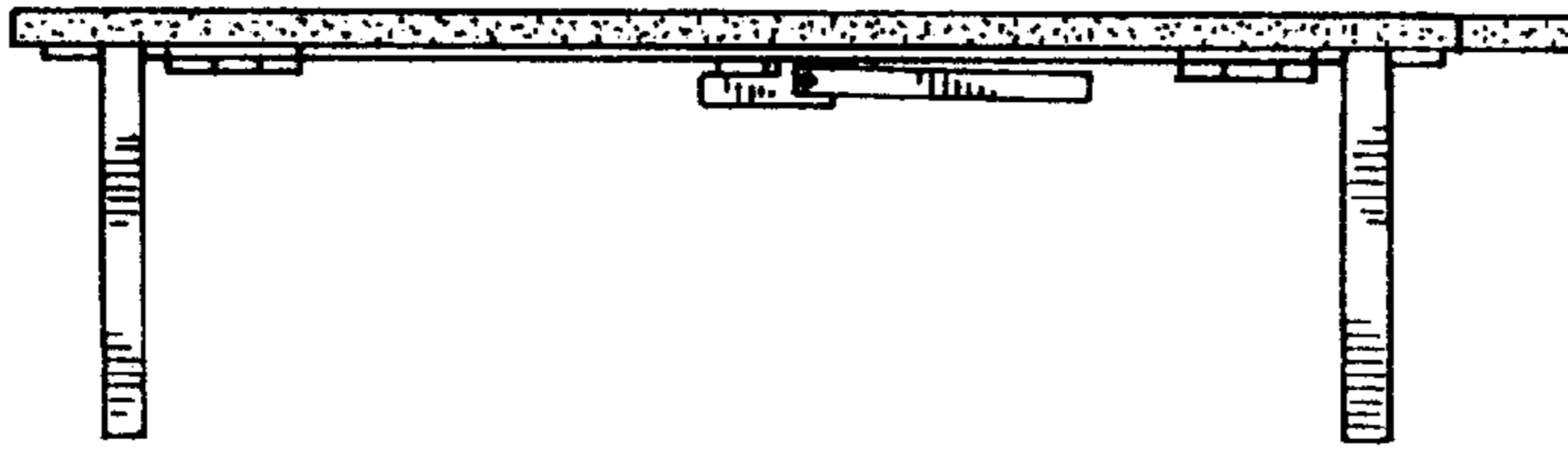


FIG. 3

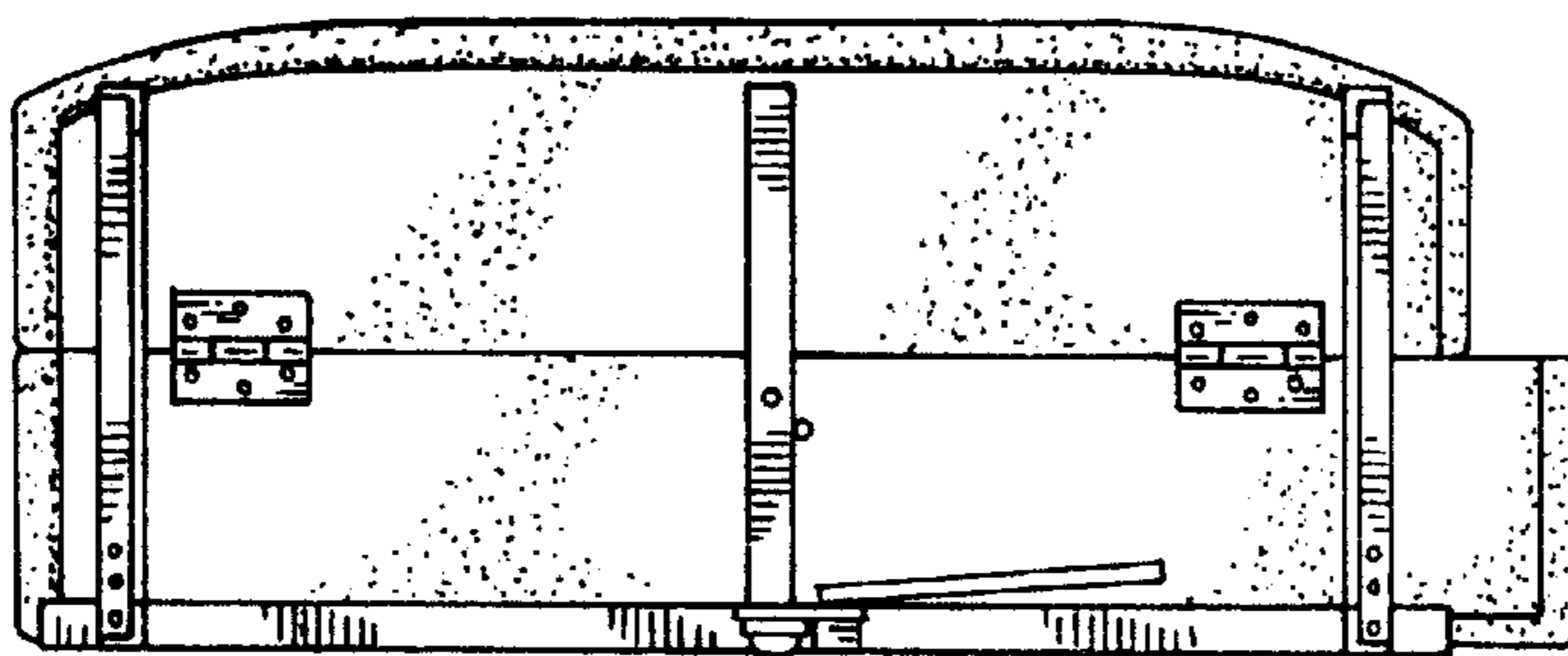


FIG. 4

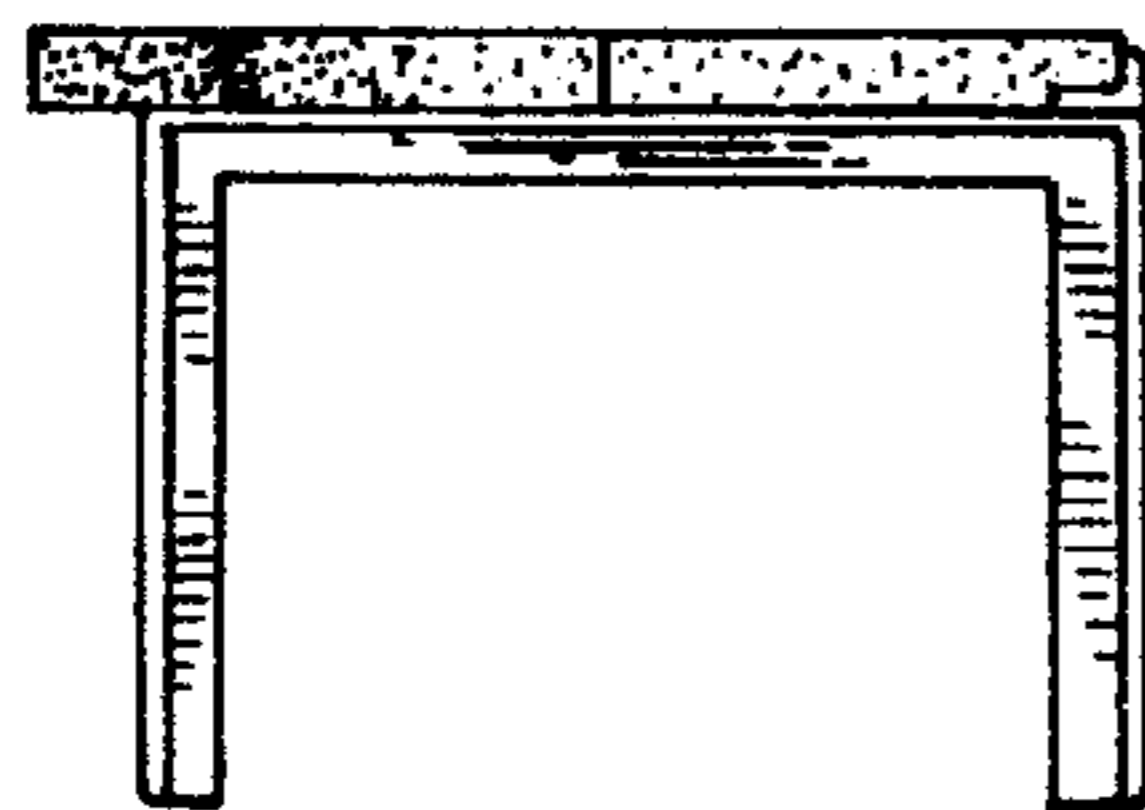


FIG. 5

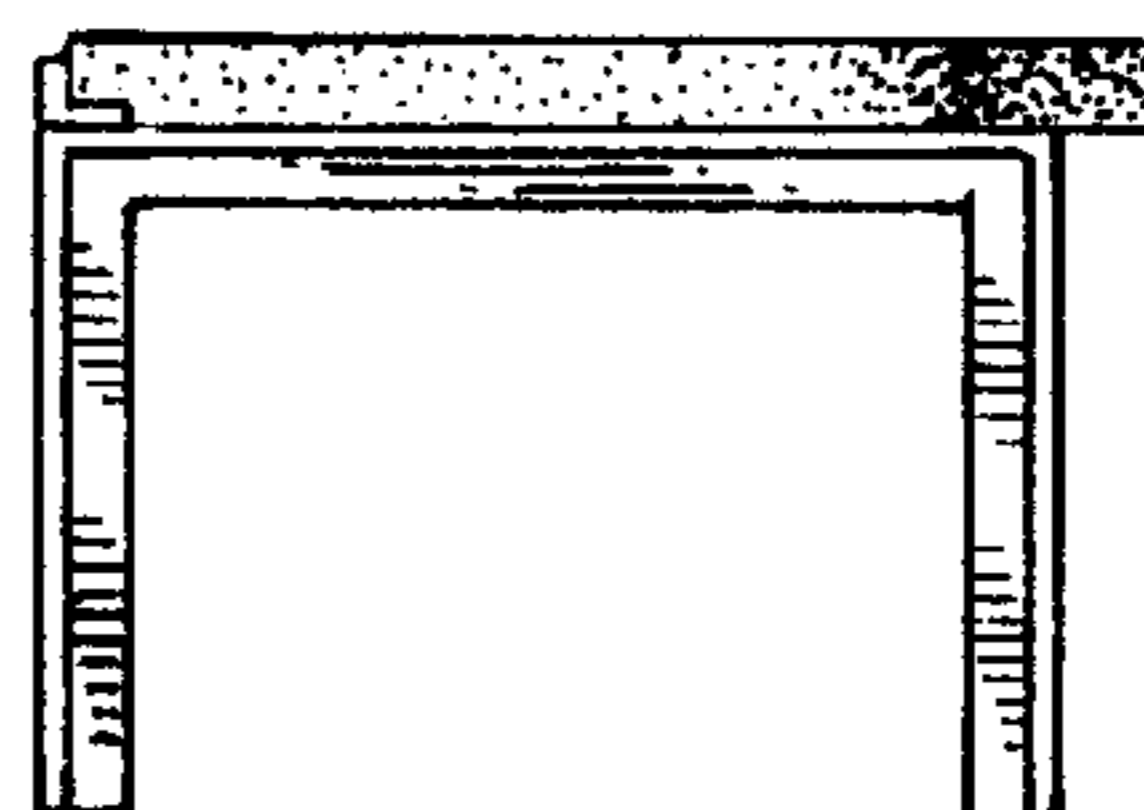


FIG. 6

FIG. 7

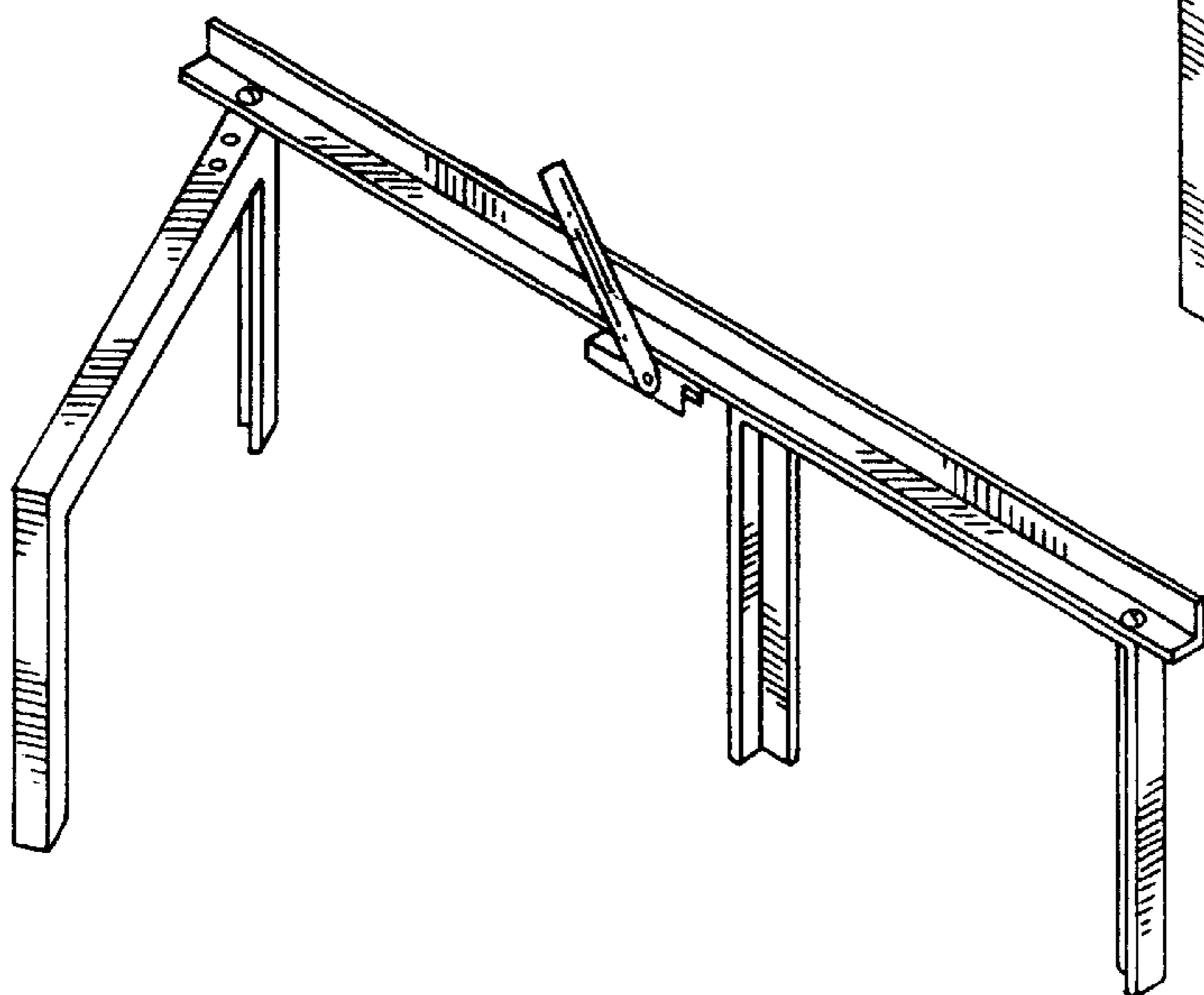
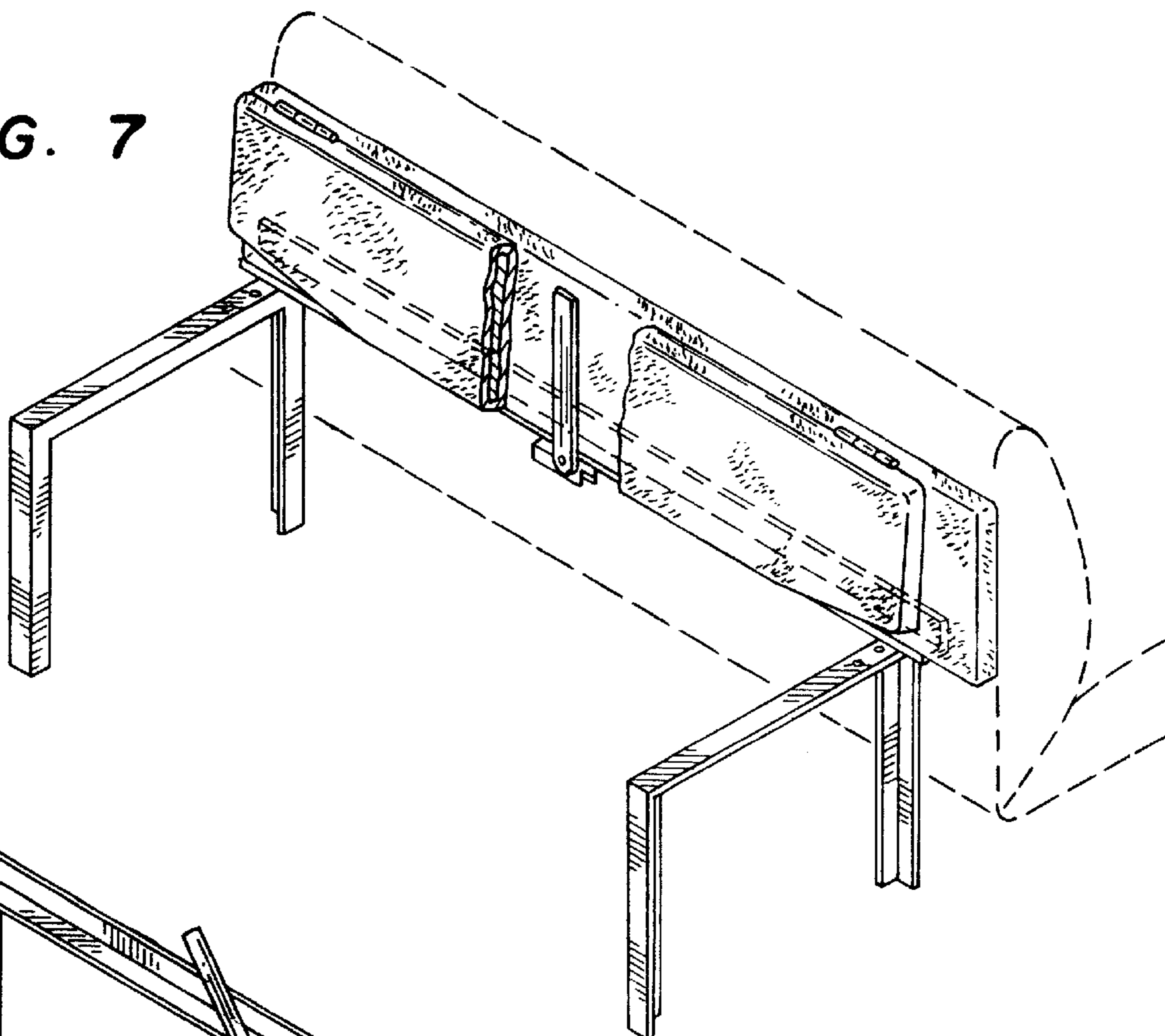


FIG. 8

FIG. 9

