



US00D402617S

United States Patent [19]
Adams, III

[11] **Patent Number: Des. 402,617**

[45] **Date of Patent: **Dec. 15, 1998**

[54] **LINKAGE**

[75] Inventor: **Herbert Lester Adams, III**, Waterford, Mich.

[73] Assignee: **SLP Engineering, Inc.**, Troy, Mich.

[**] Term: **14 Years**

[21] Appl. No.: **68,251**

[22] Filed: **Mar. 21, 1997**

[51] **LOC (6) Cl.** **12-16**

[52] **U.S. Cl.** **D12/160; D12/223**

[58] **Field of Search** D15/138, 199;
D12/160, 223; 280/846, 660, 673, 95.1,
688

[56] **References Cited**

U.S. PATENT DOCUMENTS

Re. 31,013 8/1982 Smith, Jr. 403/27

3,411,803 11/1968 Melton et al. 280/846
4,146,340 3/1979 Smith, Jr. 403/27

Primary Examiner—Antoine Duval Davis
Attorney, Agent, or Firm—Harness, Dickey & Pierce PLC

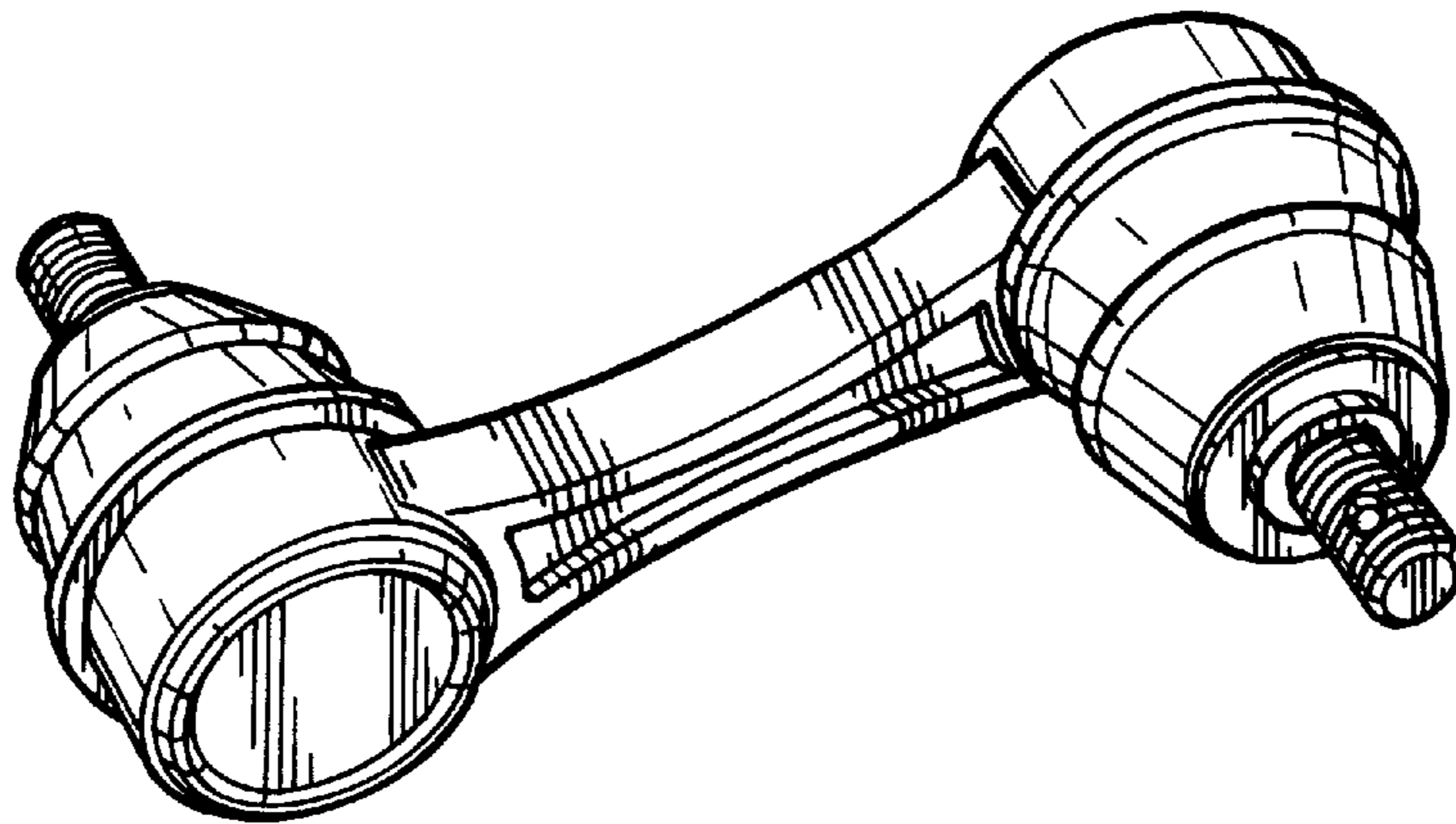
[57] **CLAIM**

The ornamental design for a linkage, as shown and described.

DESCRIPTION

FIG. 1 is a perspective view of a linkage constructed in accordance with my new design;
FIG. 2 is a front view thereof;
FIG. 3 is a back view thereof;
FIG. 4 is a top view thereof;
FIG. 5 is a right side view thereof, with the opposite side to that shown being a mirror image; and,
FIG. 6 is a bottom view thereof.

1 Claim, 2 Drawing Sheets



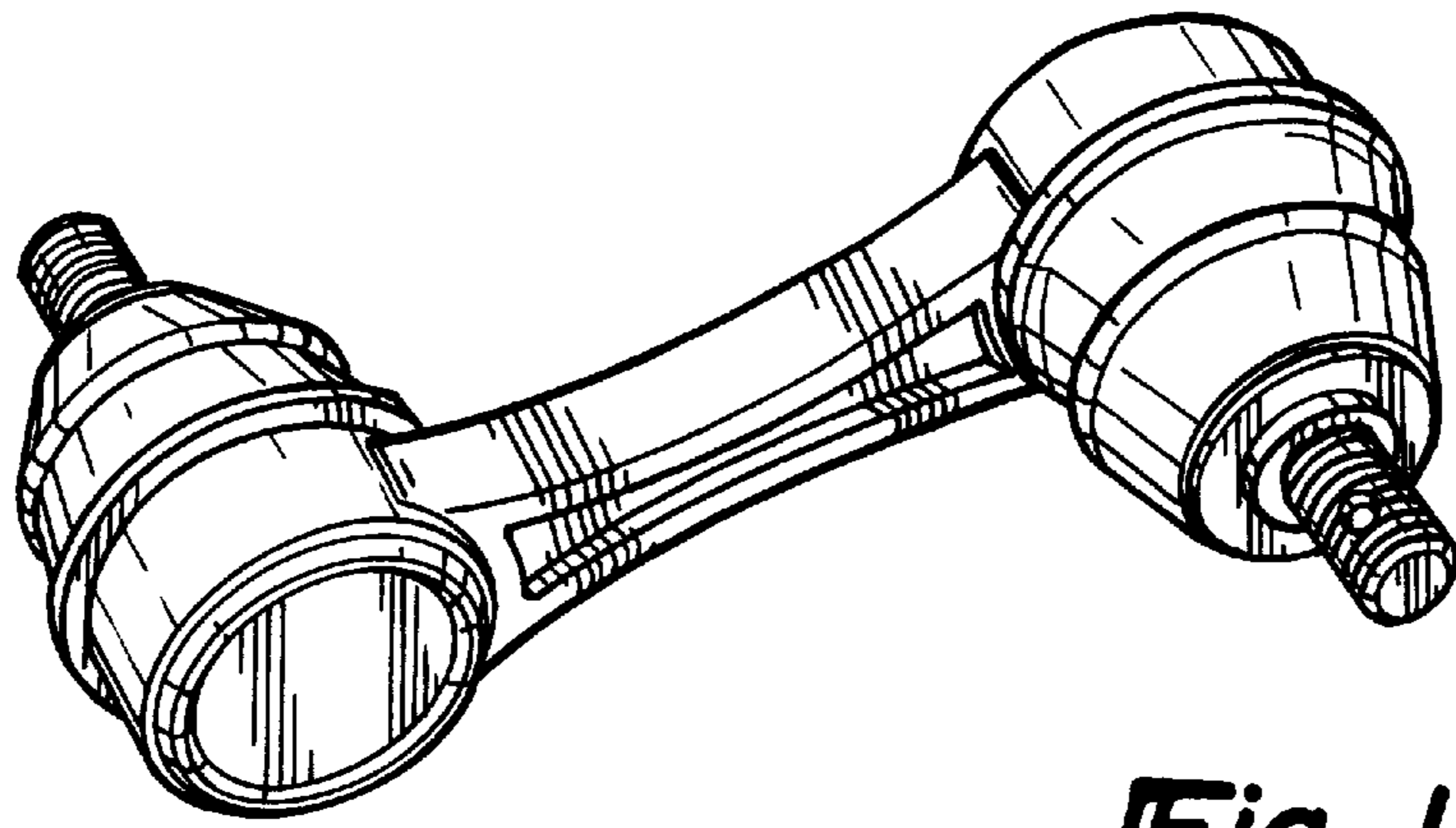


Fig-1

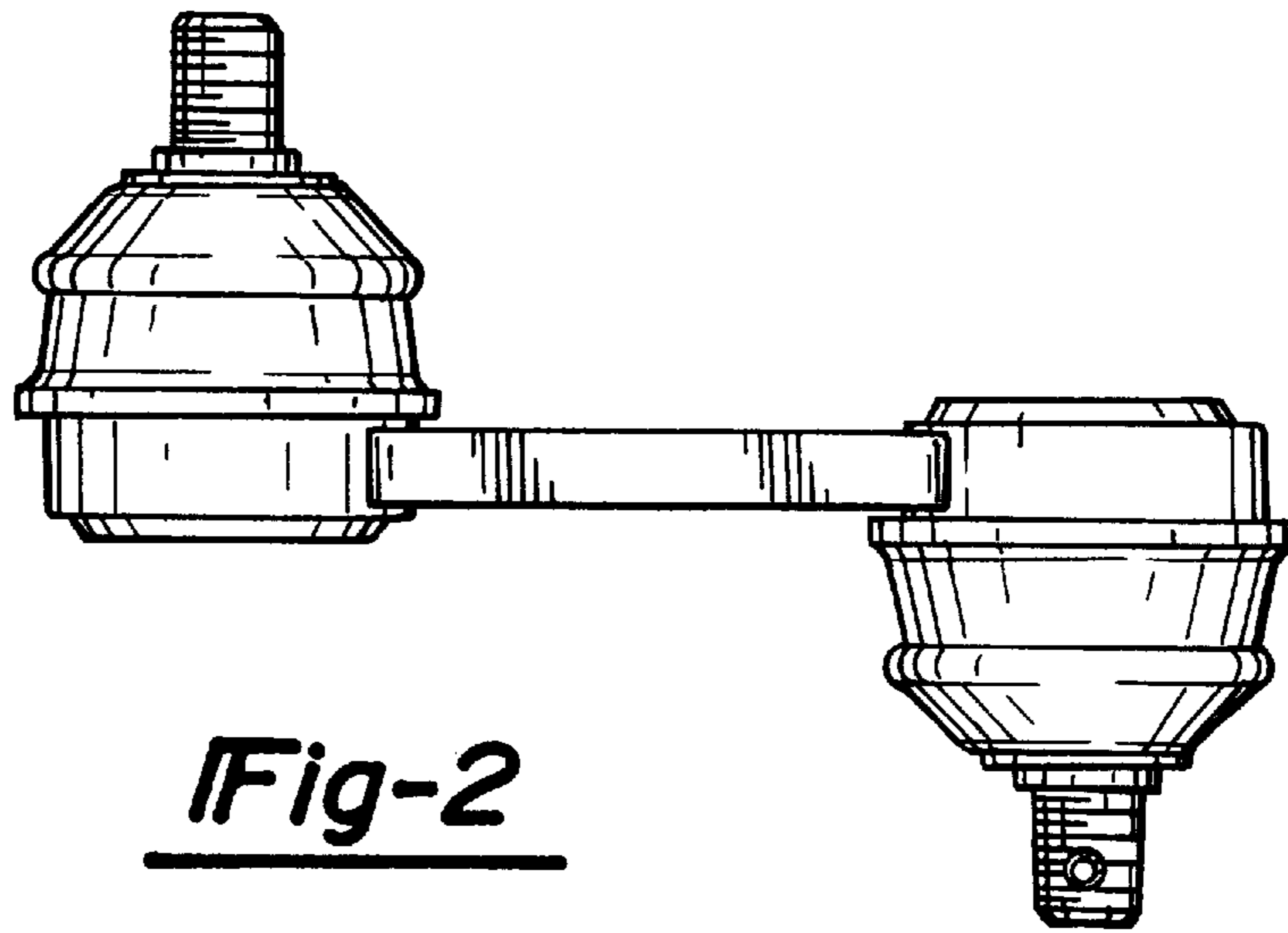


Fig-2

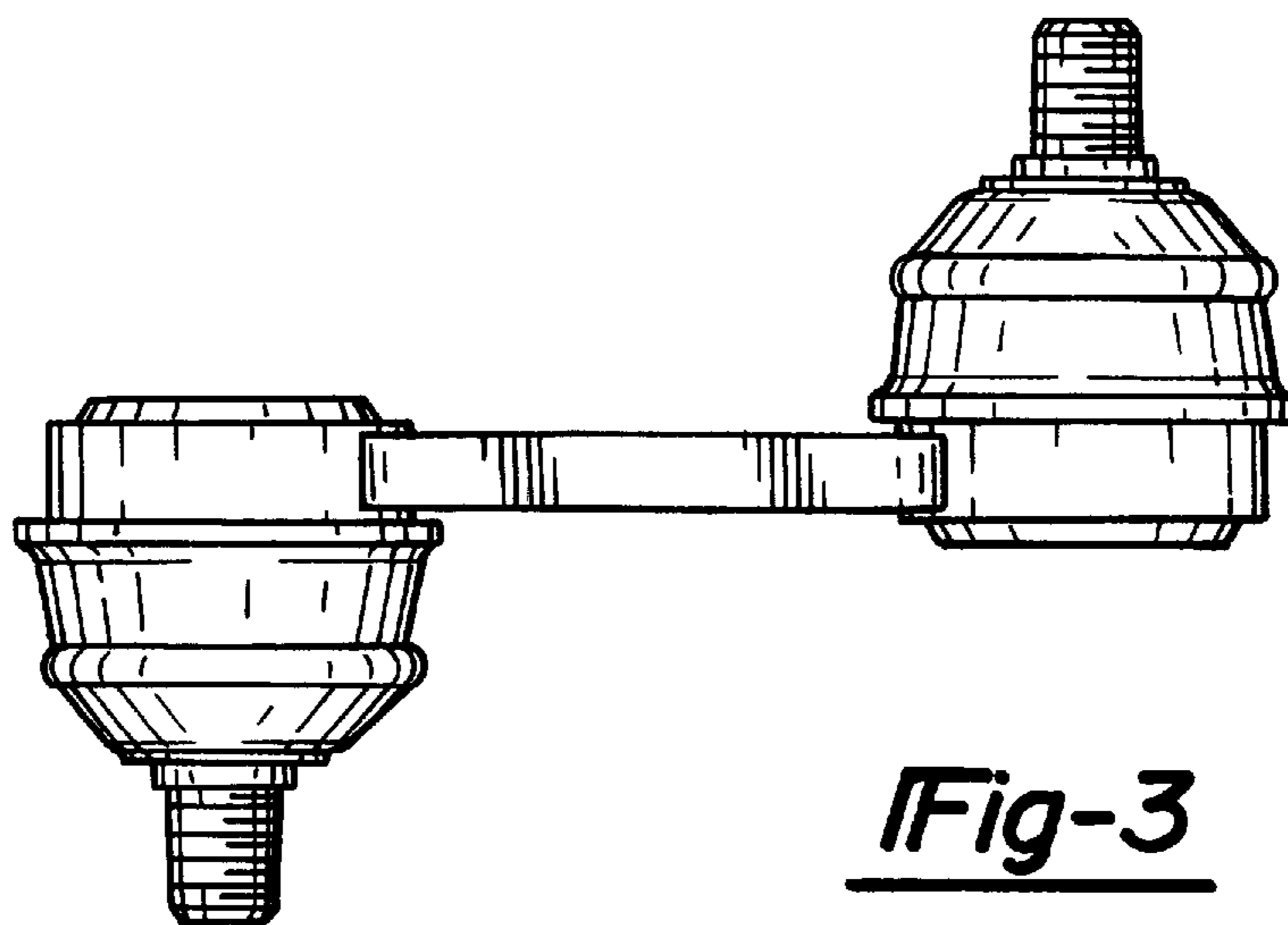


Fig-3

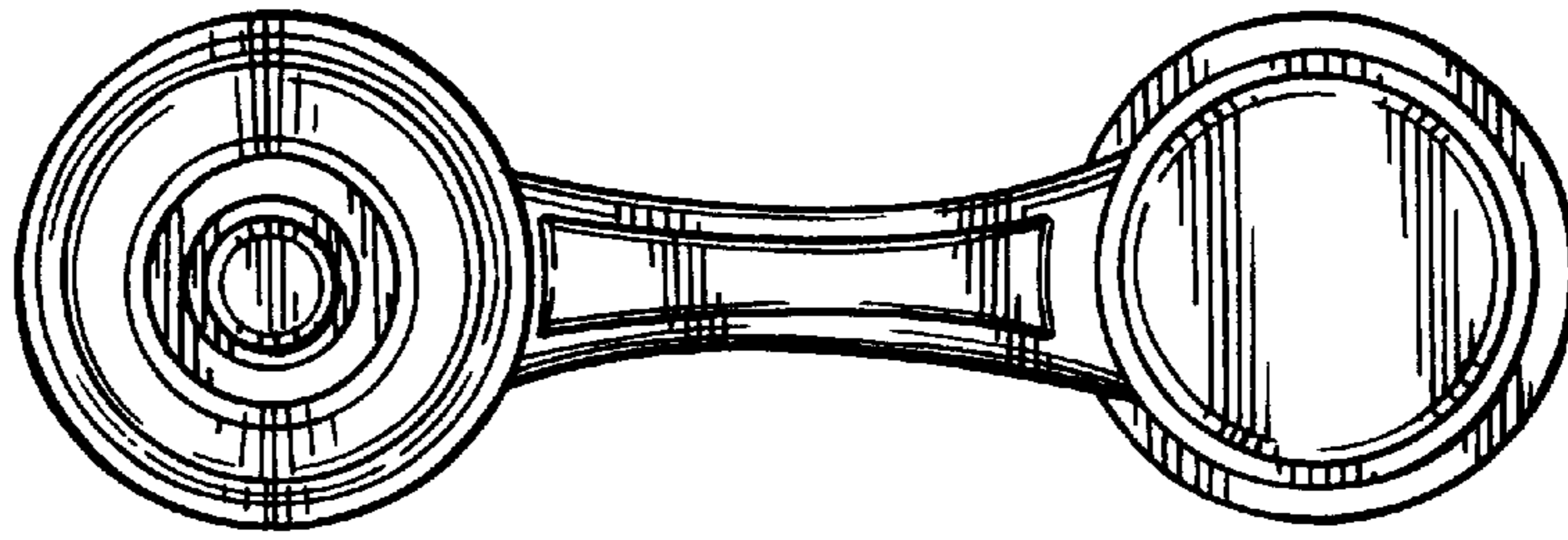


Fig-4

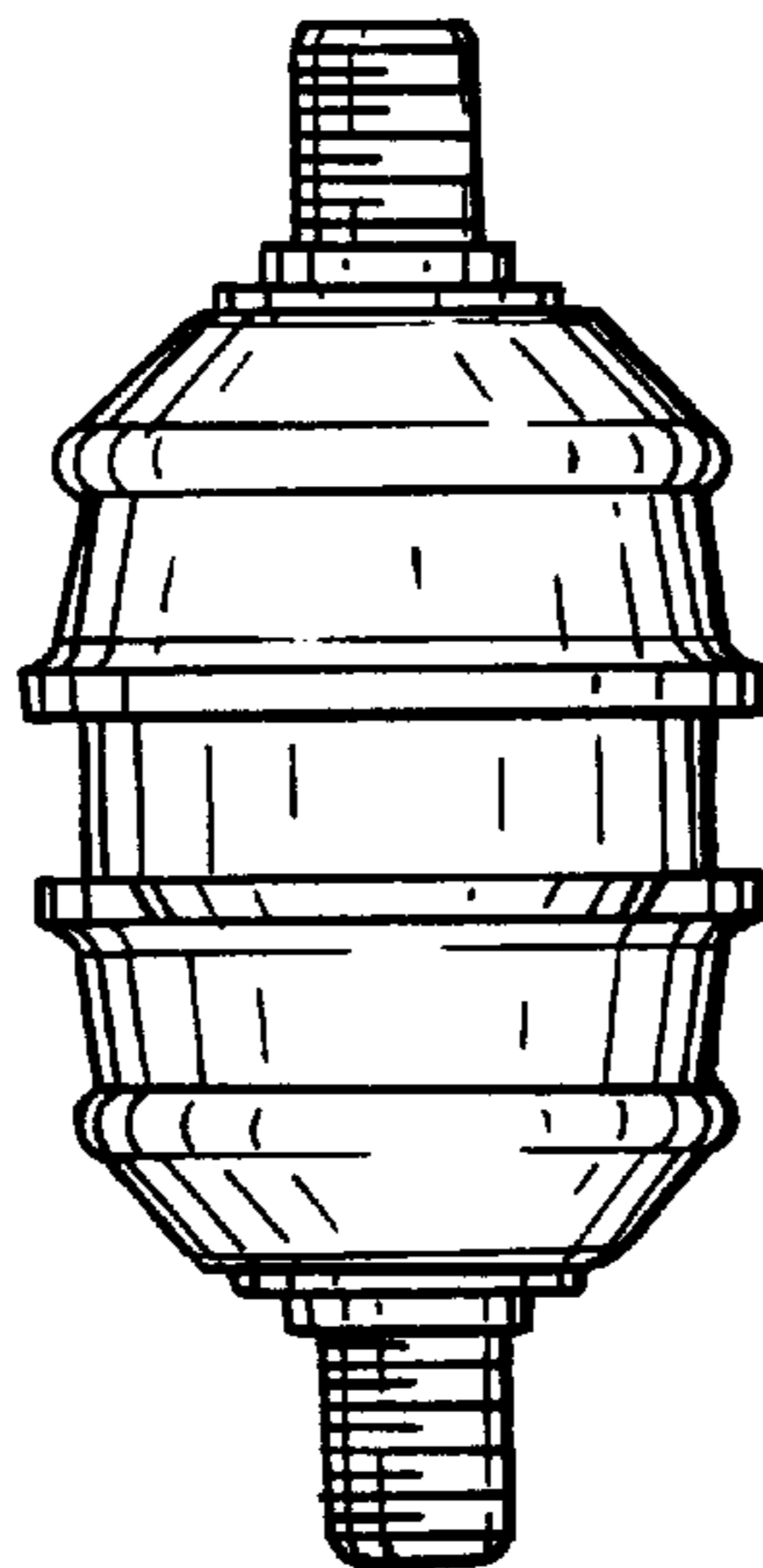


Fig-5

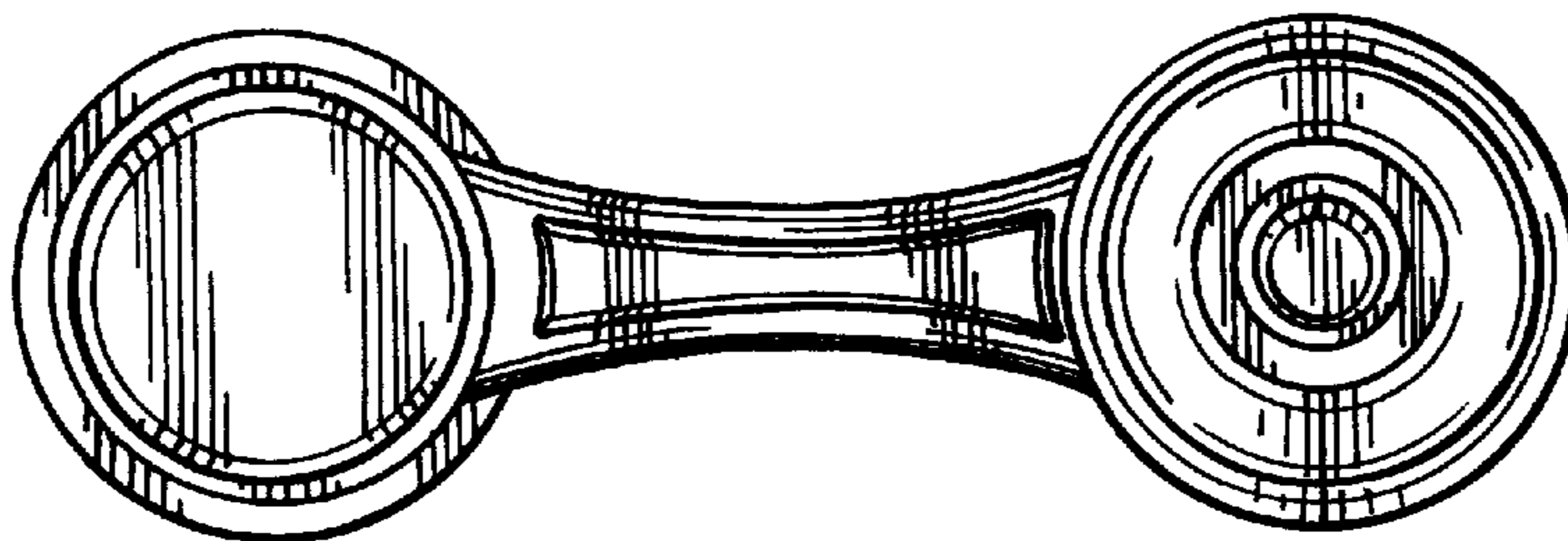


Fig-6