



US00D402616S

# United States Patent [19]

Henry

[11] Patent Number: Des. 402,616

[45] Date of Patent: \*\*Dec. 15, 1998

[54] WHEEL CHOCK

[76] Inventor: Stephen K. Henry, 3815 Northbrook Dr., C-21, Boulder, Colo. 80302

[\*\*] Term: 14 Years

[21] Appl. No.: 66,614

[22] Filed: Feb. 13, 1997

[51] LOC (6) Cl. .... 12-06

[52] U.S. Cl. .... D12/217

[58] Field of Search ..... D12/114, 120, D12/217; 188/4 R, 32; 224/524; 267/139, 140; 280/293

### [56] References Cited

#### U.S. PATENT DOCUMENTS

2,011,469	8/1935	Brueggemann	.....	188/32
2,992,704	7/1961	Showaker et al.	.....	188/32
3,317,006	5/1967	Patterson	.....	188/32

Primary Examiner—Robert M. Spear  
Attorney, Agent, or Firm—Dorr, Carson, Sloan & Birney, P.C.

### [57] CLAIM

The ornamental design for a wheel chock, as shown and described.

### DESCRIPTION

FIG. 1 is a front perspective view of a wheel chock showing my new design;

FIG. 2 is front elevational view thereof, with the rear elevational view being a mirror image of FIG. 2;

FIG. 3 is a top plan view thereof, taken in the direction of arrow 3—3 in FIG. 2;

FIG. 4 is a left side elevational view thereof, taken in the direction of arrow 4—4 in FIG. 2;

FIG. 5 is a right side elevational view thereof, taken in the direction of arrow 5—5 in FIG. 2;

FIG. 6 is a bottom plan view thereof, taken in the direction of arrow 6—6 in FIG. 2;

FIG. 7 is a front perspective view of an alternative embodiment of a wheel chock showing my new design;

FIG. 8 is a front elevational view of the embodiment shown in FIG. 7, with the rear elevational view being a mirror image of FIG. 8;

FIG. 9 is a top plan view of the embodiment shown in FIG. 7, taken in the direction of arrow 9—9 in FIG. 8;

FIG. 10 is a left side elevational view of the embodiment shown in FIG. 7, taken in the direction of arrow 10—10 in FIG. 8;

FIG. 11 is a right side elevational view of the embodiment shown in FIG. 7, taken in the direction of arrow 11—11 in FIG. 8; and,

FIG. 12 is a bottom plan view of the embodiment shown in FIG. 7, taken in the direction of arrow 12—12 in FIG. 8.

1 Claim, 4 Drawing Sheets

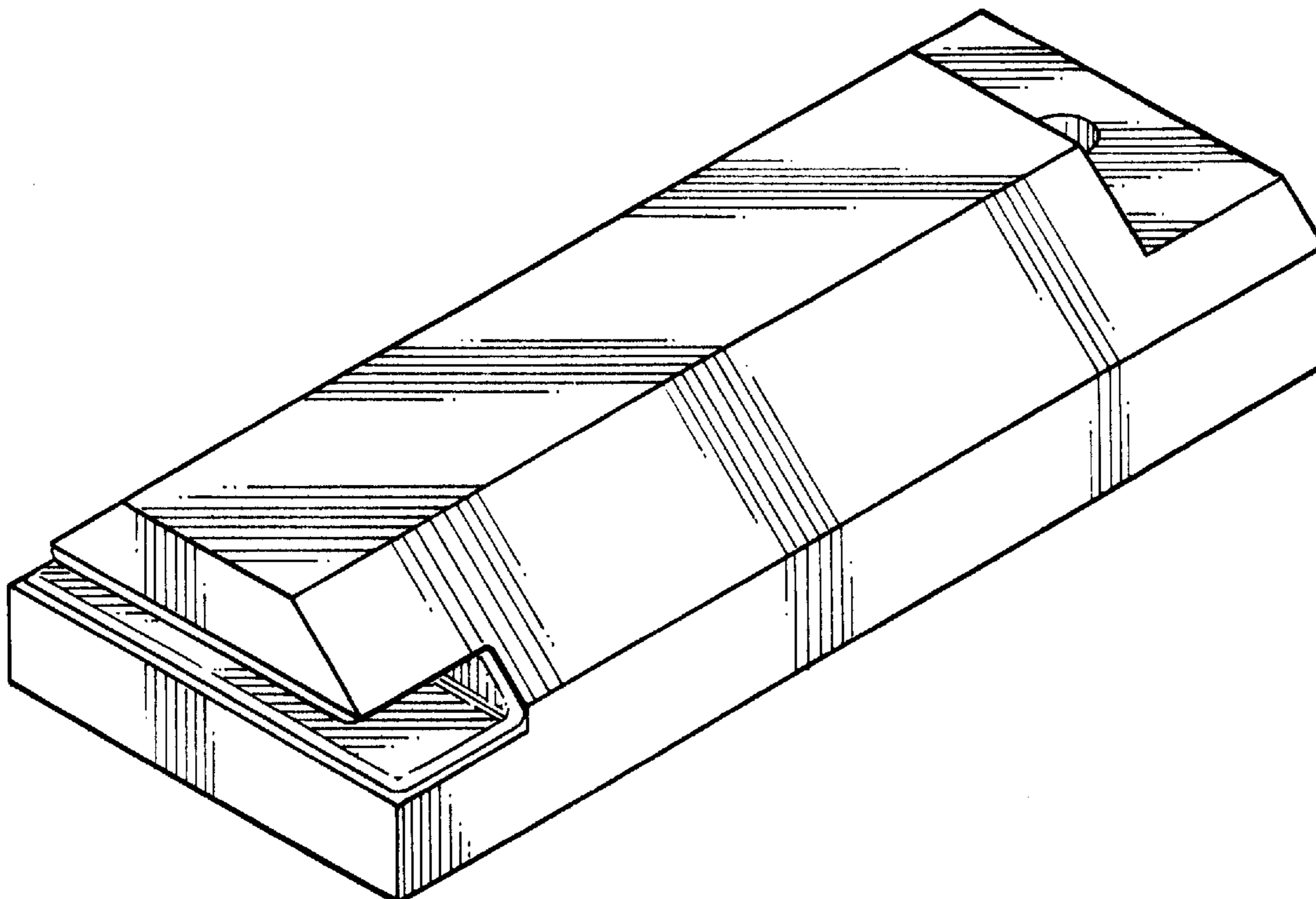


Fig. 1

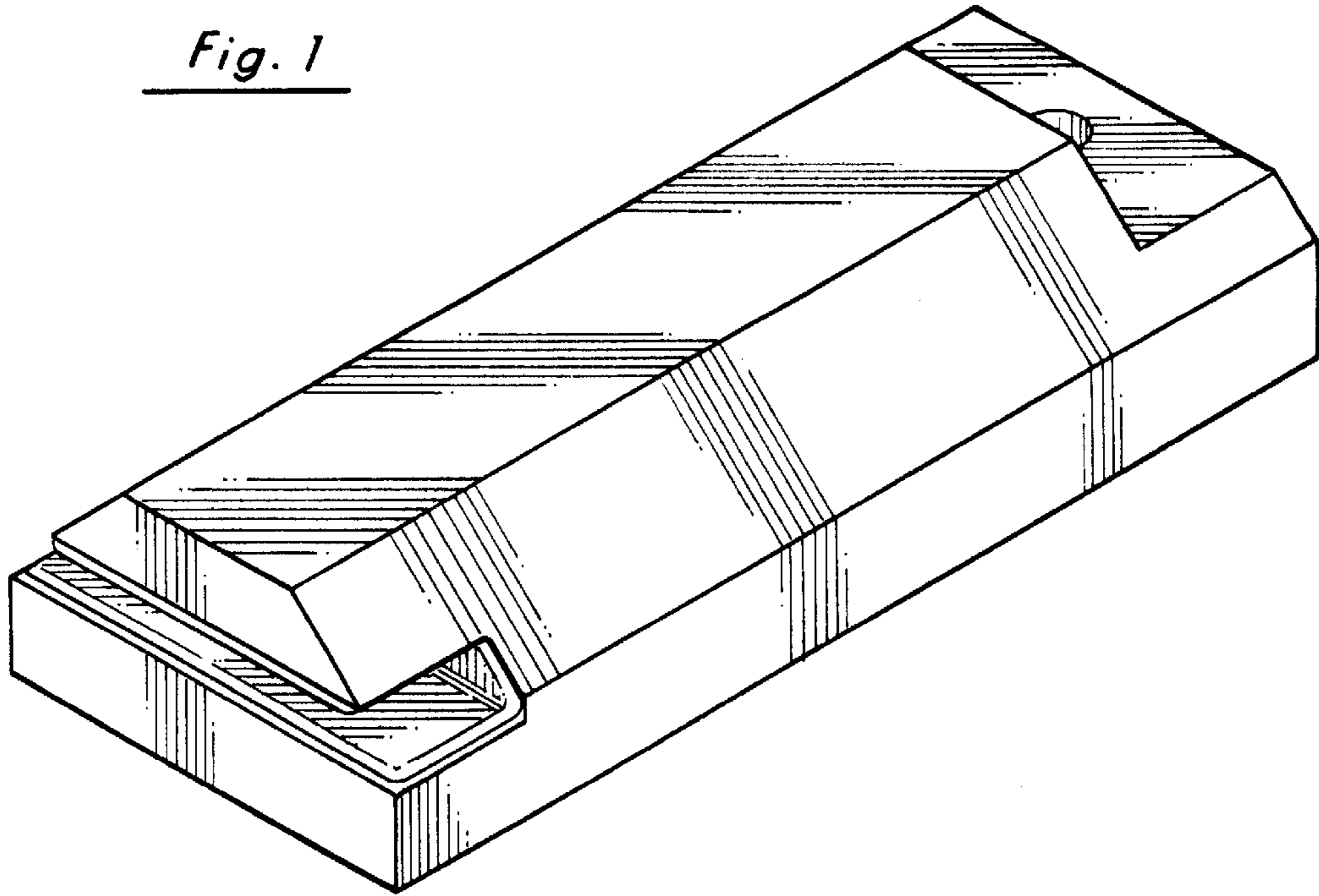
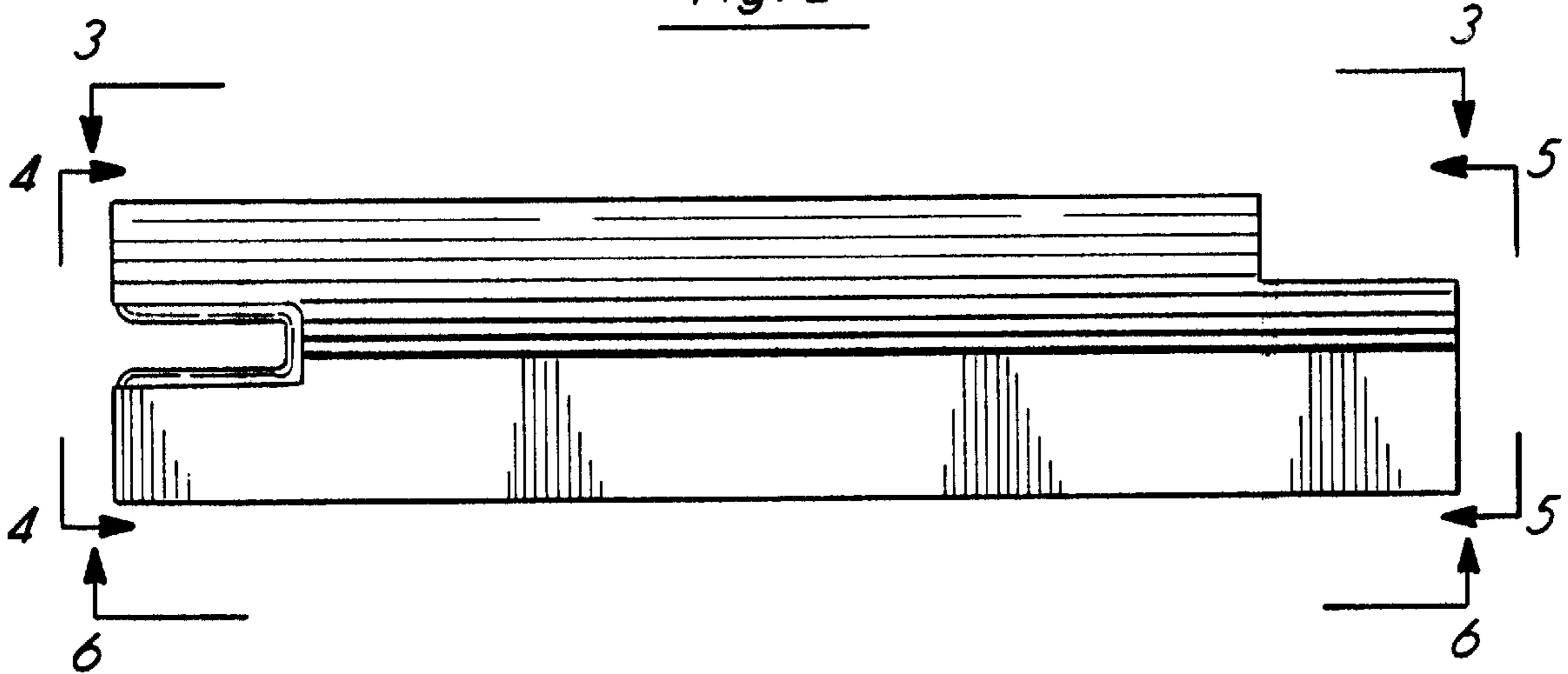


Fig. 2



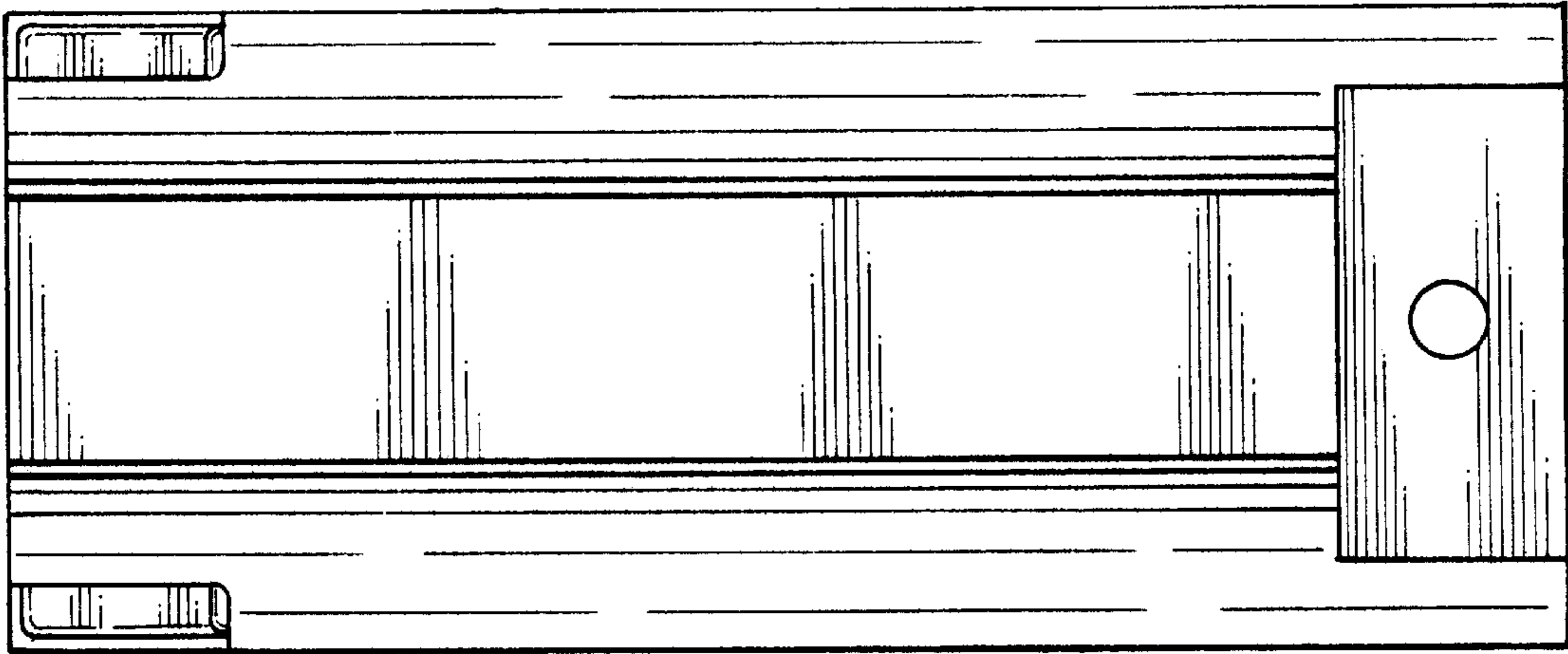


Fig. 3

Fig. 4

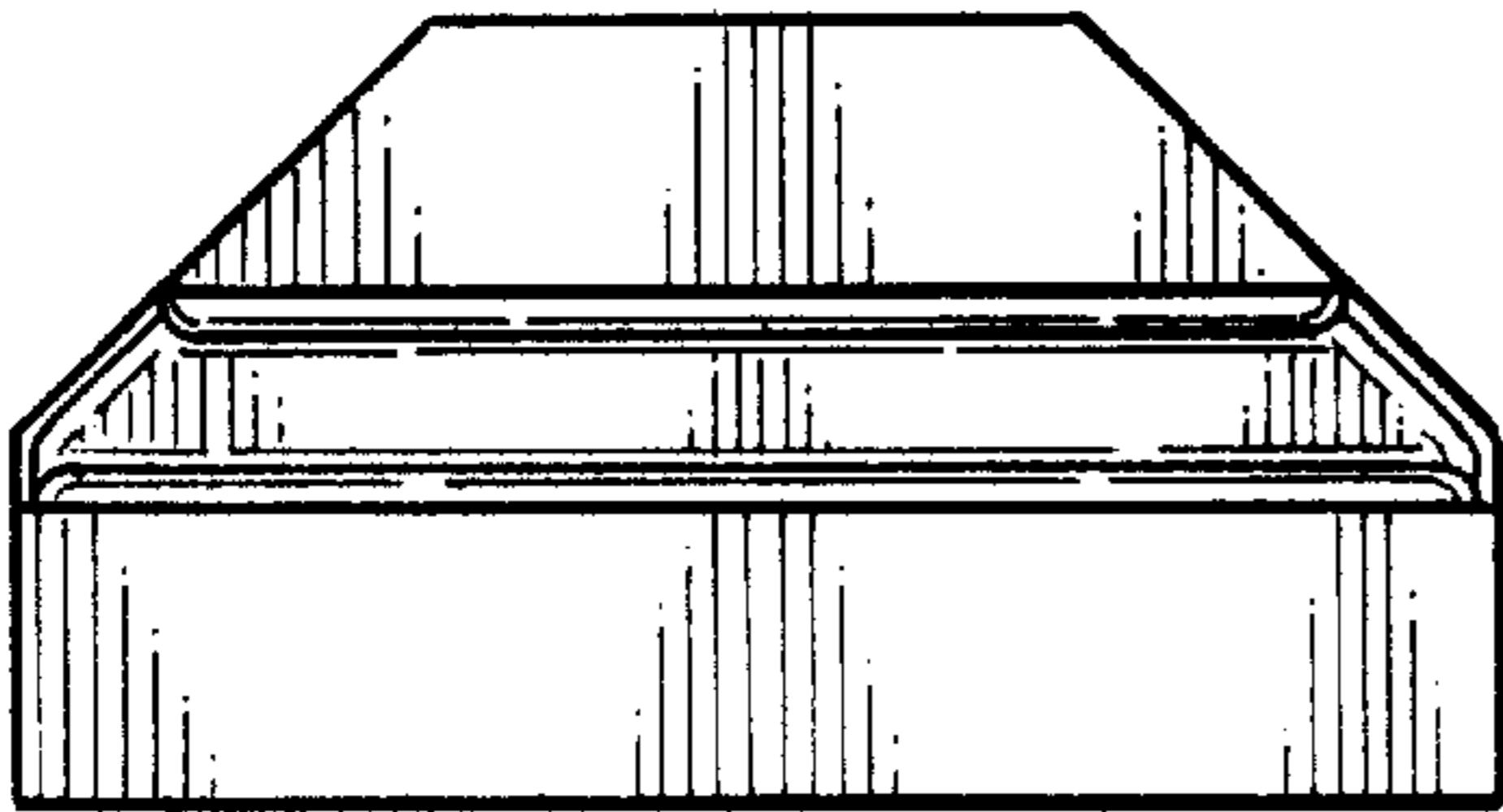


Fig. 5

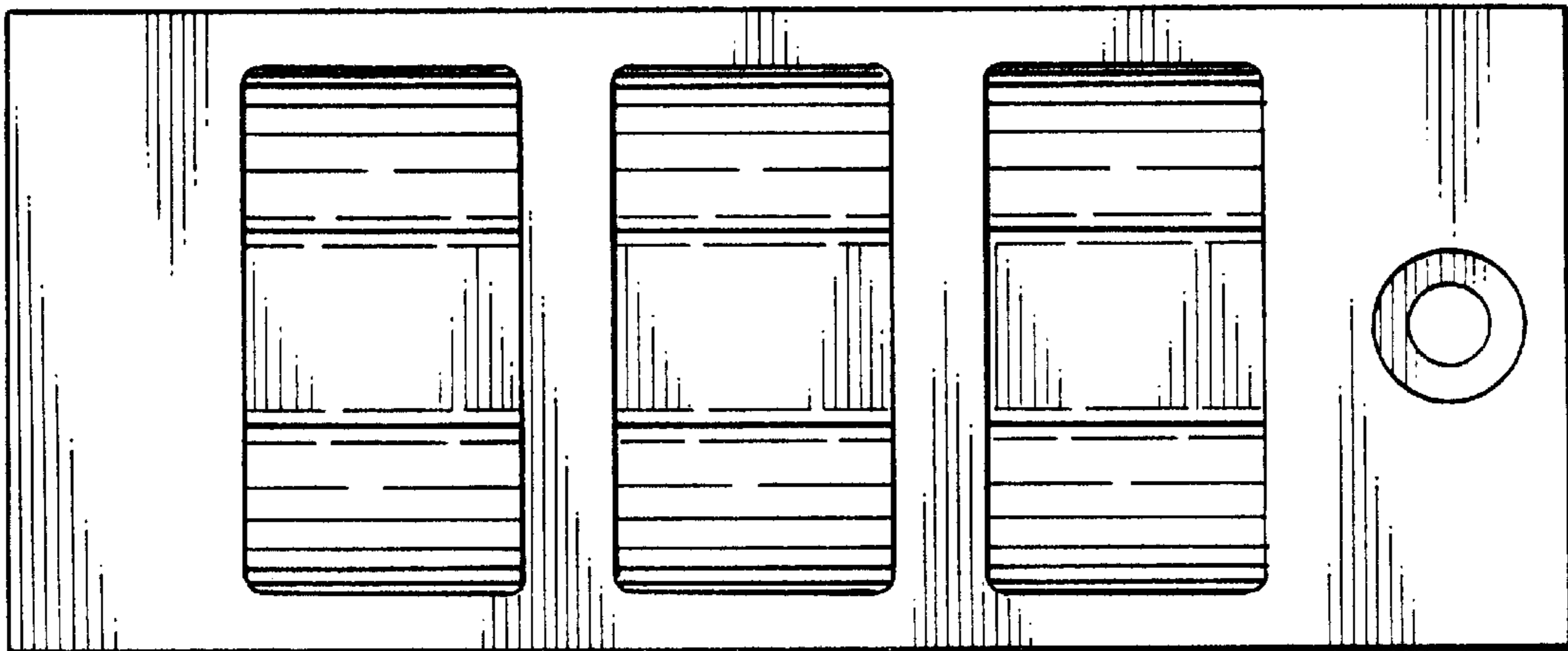
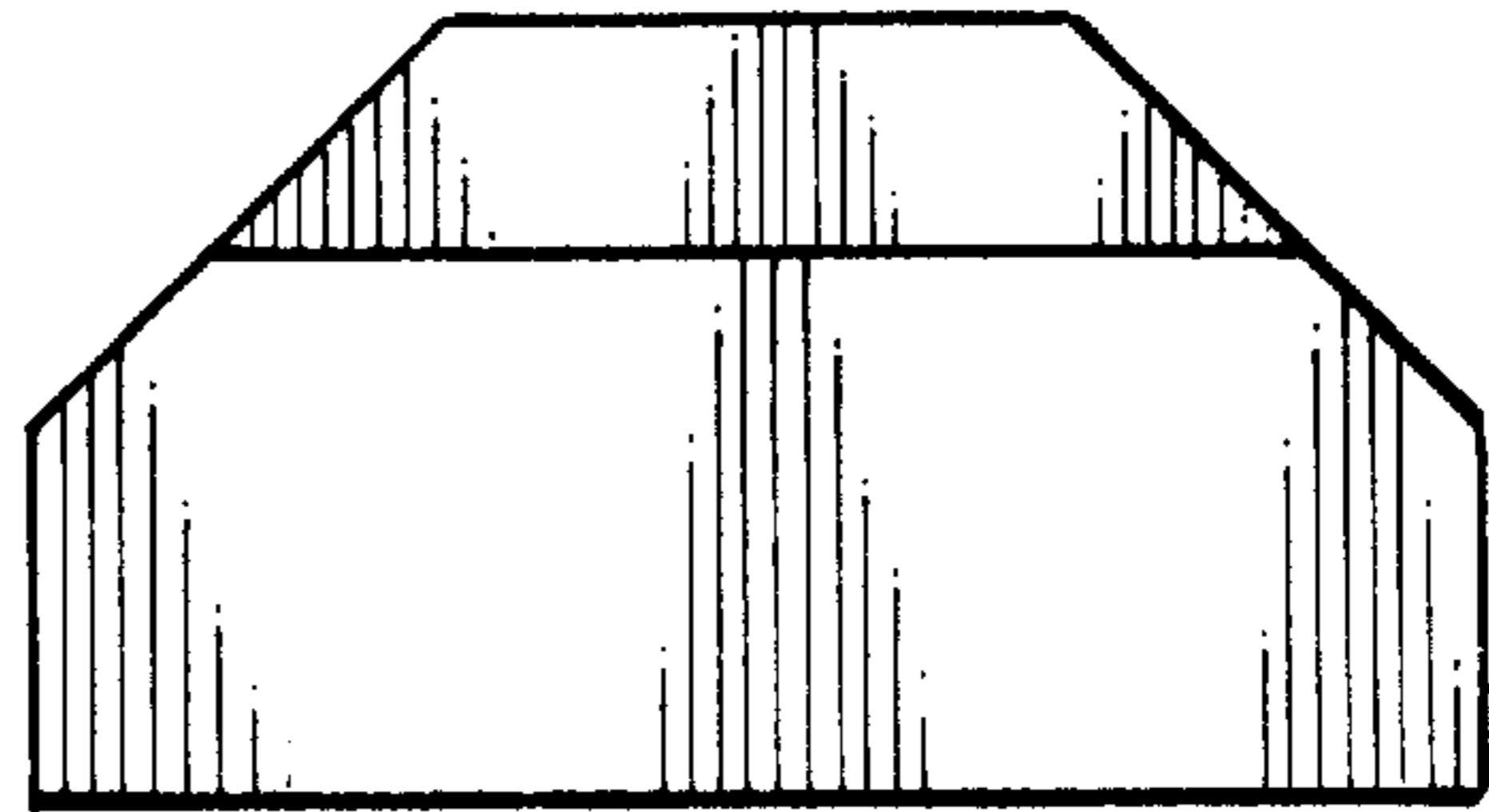
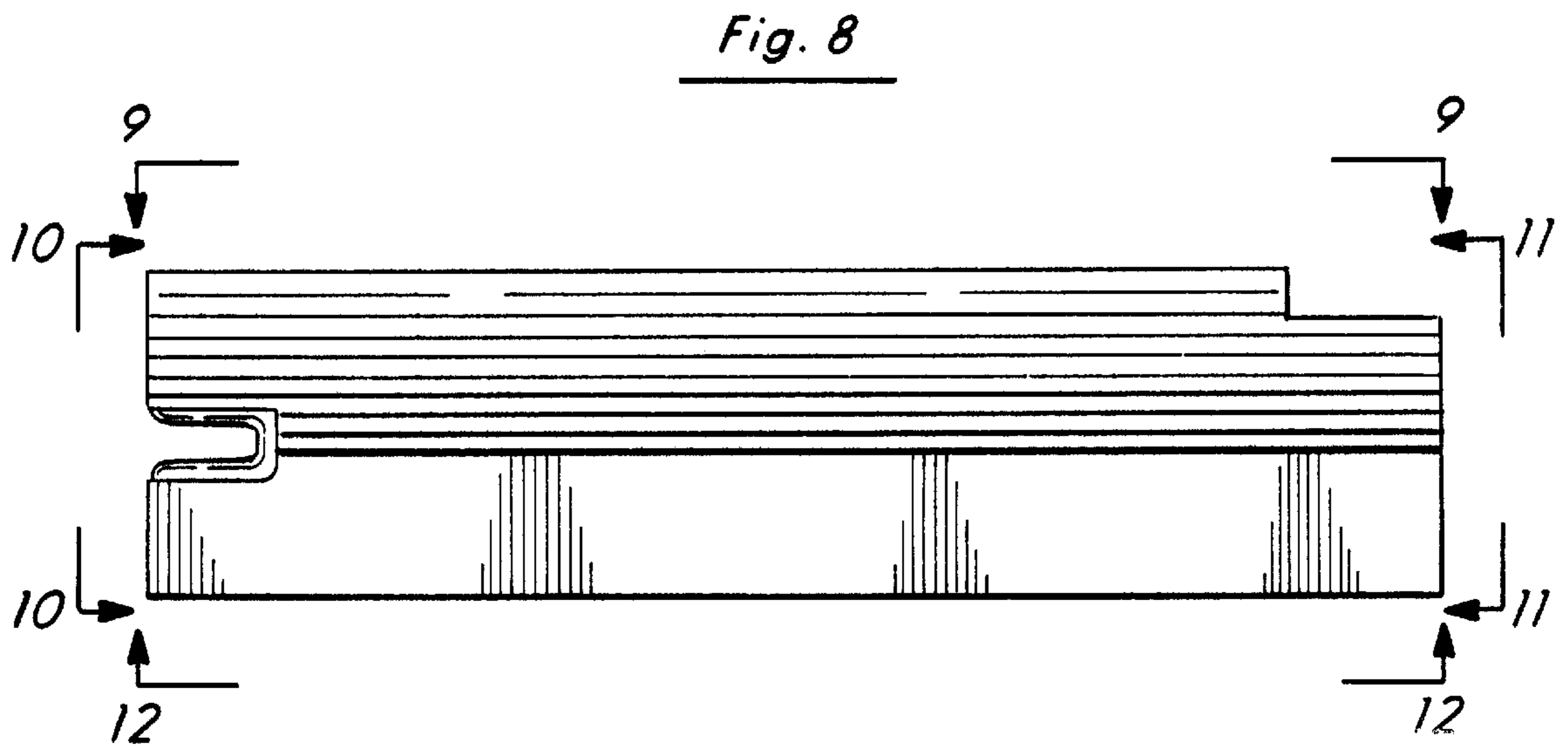
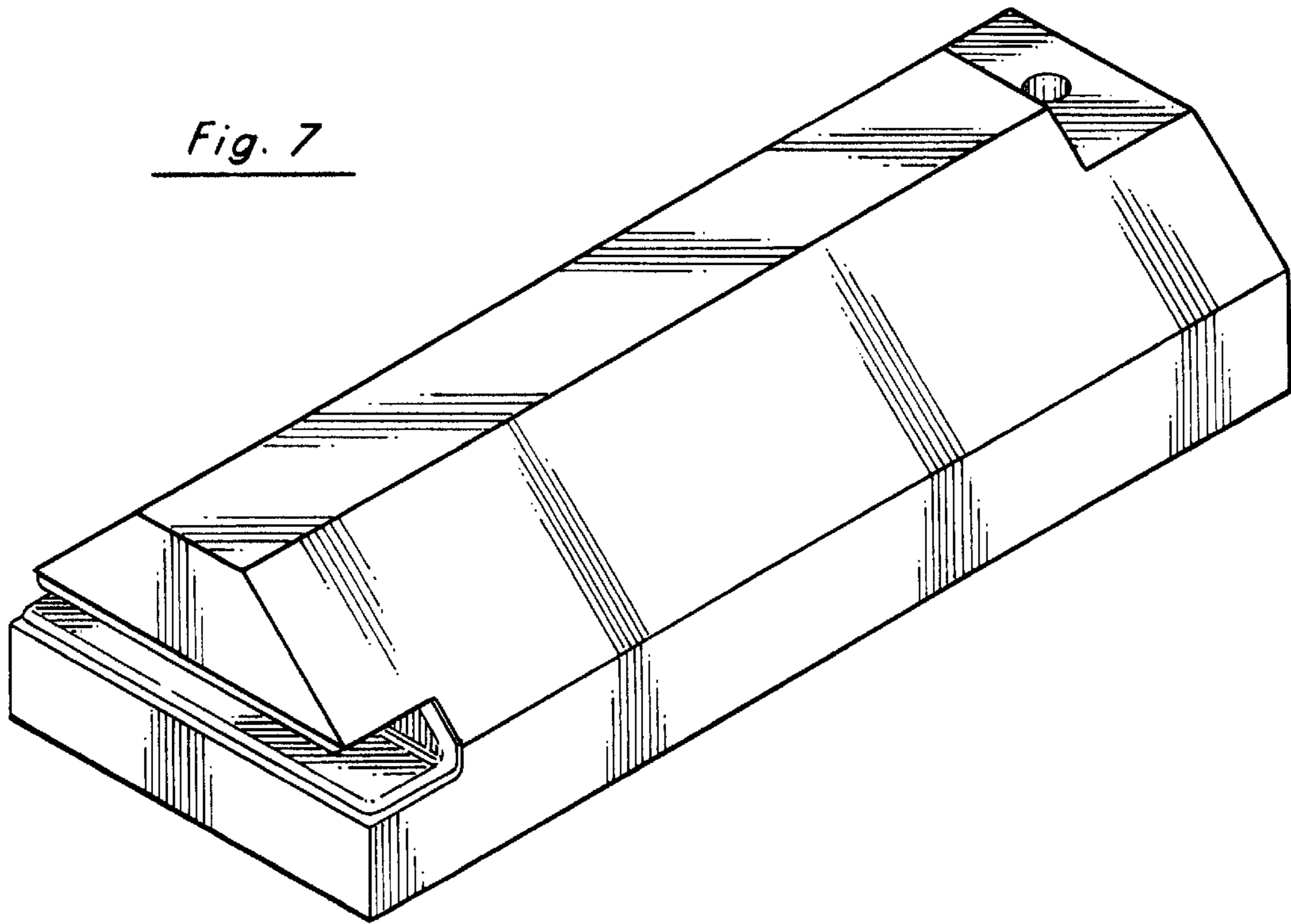


Fig. 6



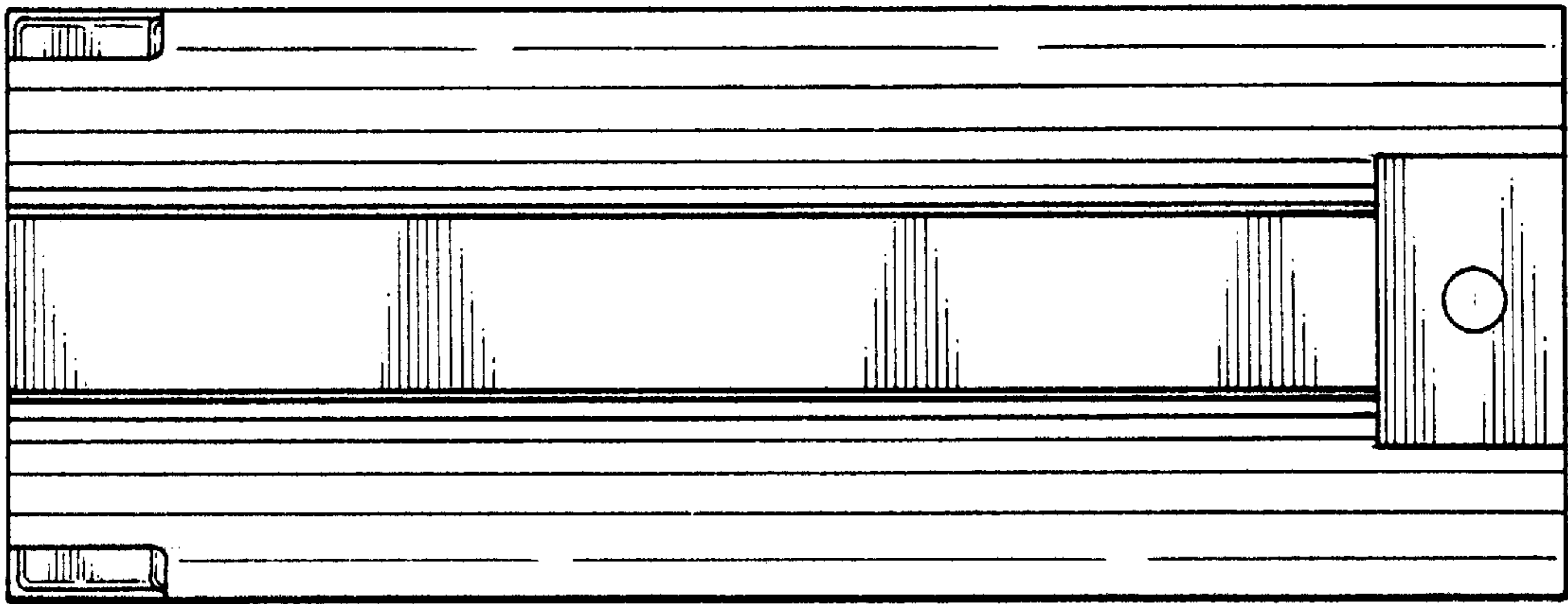


Fig. 9

Fig. 10

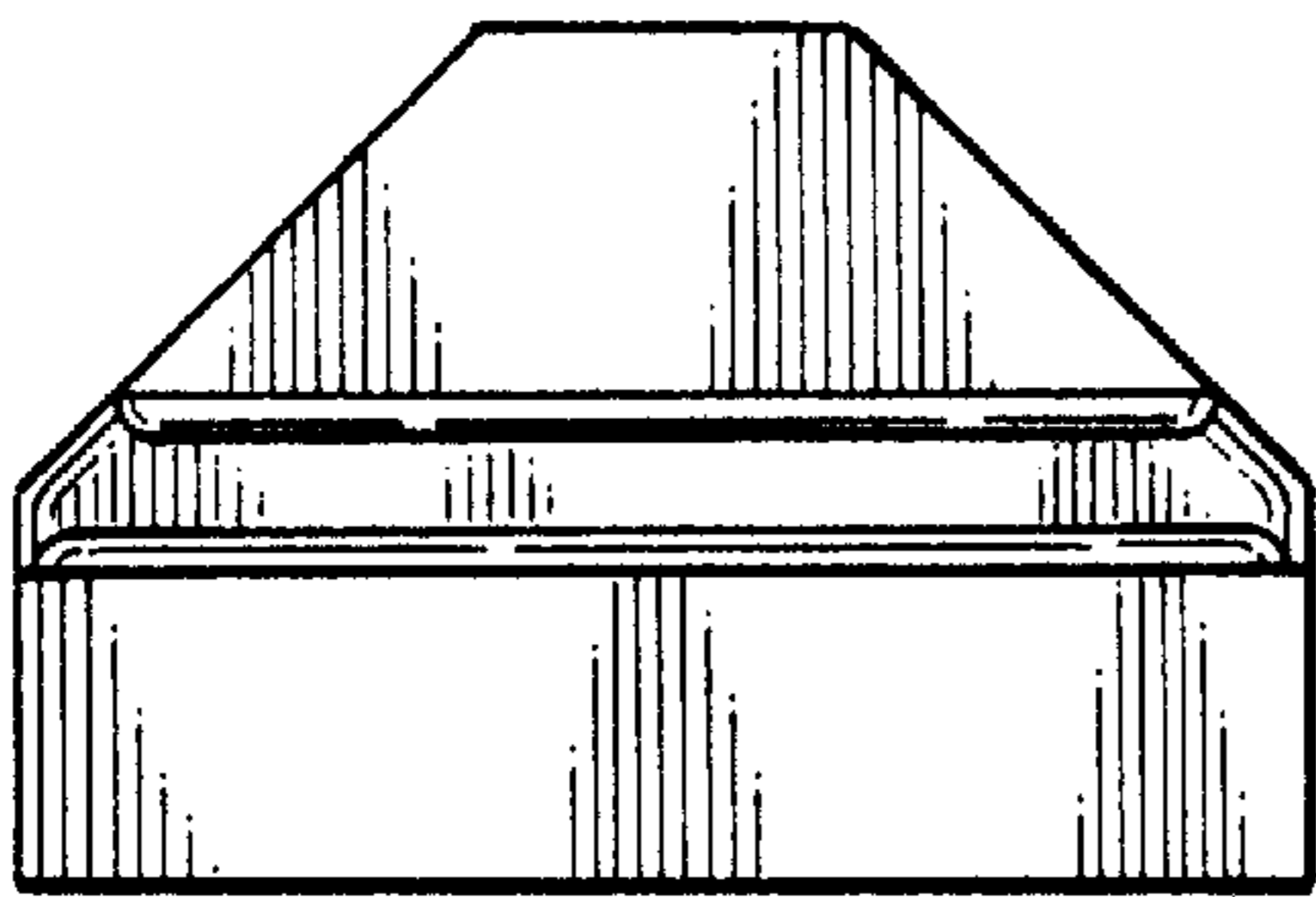


Fig. 11

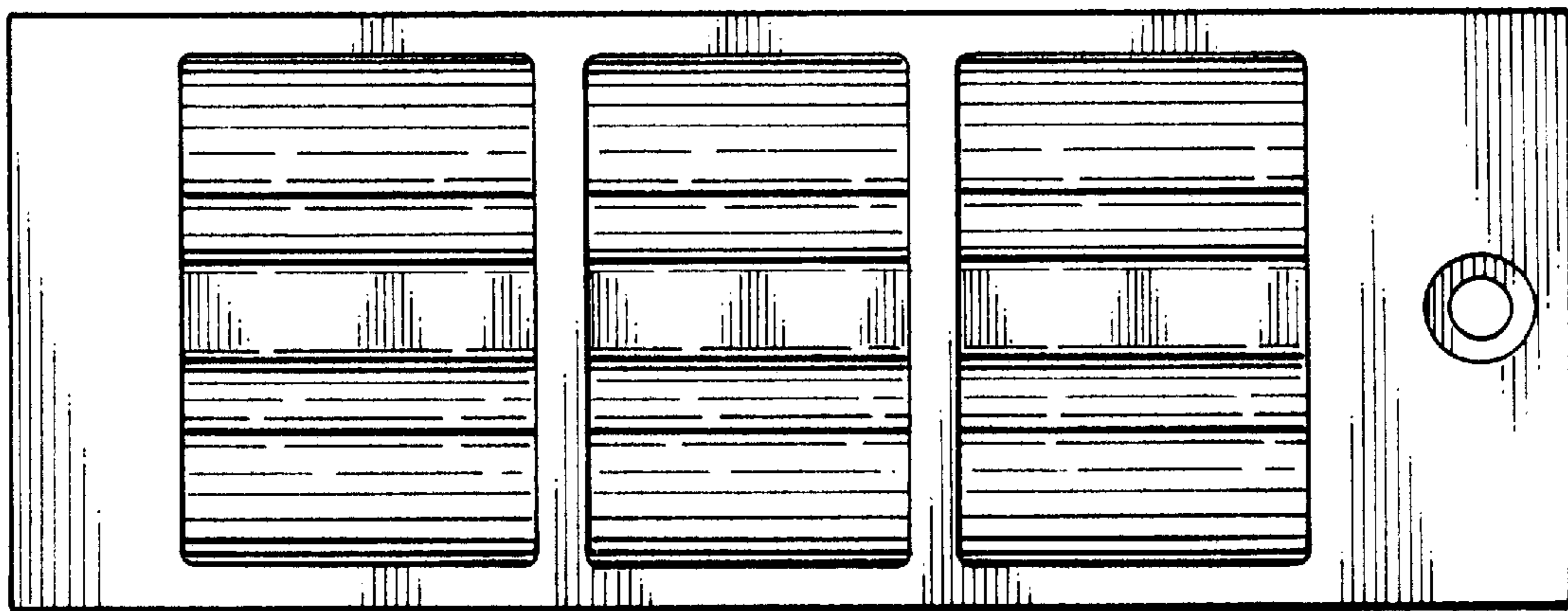
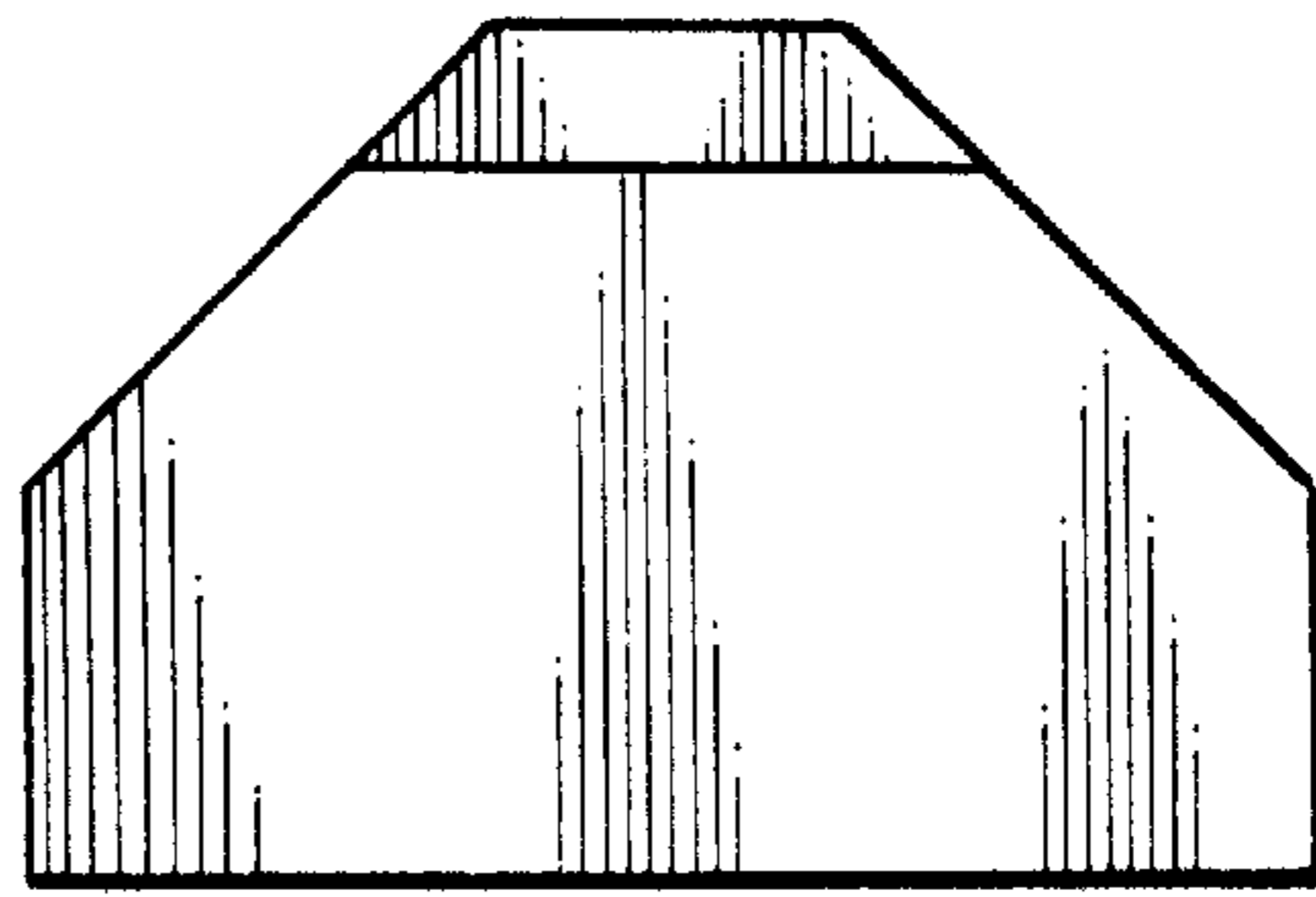


Fig. 12