



US00D402612S

United States Patent [19]

Nishida

[11] Patent Number: **Des. 402,612**

[45] Date of Patent: ****Dec. 15, 1998**

[54] **WHEEL FOR AUTOMOBILE**

[75] Inventor: **Nobuo Nishida**, Osaka, Japan

[73] Assignee: **Kabushiki Kaisha Crimson**, Nara, Japan

[**] Term: **14 Years**

[21] Appl. No.: **71,860**

[22] Filed: **May 23, 1997**

[51] **LOC (6) Cl.** **12-16**

[52] **U.S. Cl.** **D12/209**

[58] **Field of Search** D12/204-213;
301/64.1, 65, 37.1

D. 378,506	3/1997	Stolz et al.	D12/209
D. 384,631	10/1997	Cullen	D12/209
D. 384,927	10/1997	Neeper	D12/209
D. 386,461	11/1997	Neeper	D12/209
D. 386,740	11/1997	Cullen	D12/209

OTHER PUBLICATIONS

Boyd's Custom Wheel Catalog, See "Impeller", (Aug. 1996).

Custom Wheel & Tire Style Guide, p. 39, See "Virage", (1994).

Ultra Custom Wheels Brochure, See "Type 43", (1995).

Primary Examiner—James Gandy

Assistant Examiner—Stacia Sinuik

Attorney, Agent, or Firm—Wenderoth, Lind & Ponack, L.L.P.

[56] References Cited

U.S. PATENT DOCUMENTS

Re. 16,287	2/1926	Baker	D12/209
D. 49,521	8/1916	Kunst	D12/209
D. 276,717	12/1984	Ogishima et al.	D12/211
D. 300,422	3/1989	Schinella	D12/209
D. 300,818	4/1989	Reid	D12/211
D. 337,562	7/1993	Hareide	D12/209
D. 351,821	10/1994	Oka	D12/209
D. 352,021	11/1994	Powers	D12/209 X
D. 363,910	11/1995	Chung	D12/209
D. 364,843	12/1995	Hale, Jr.	D12/209
D. 364,844	12/1995	Chien	D12/209
D. 372,696	8/1996	Tung	D12/209
D. 372,697	8/1996	Echazabal et al.	D12/209
D. 374,420	10/1996	Neeper	D12/209
D. 377,640	1/1997	Neeper	D12/209

[57] CLAIM

The ornamental design for a wheel for automobile, as shown and described.

DESCRIPTION

FIG. 1 is a perspective view of a wheel for automobile according to the design of the present invention, looking at the wheel from the front, top and right thereof;

FIG. 2 is a front view of the wheel of FIG. 1;

FIG. 3 is a top view of the wheel of FIG. 1;

FIG. 4 is a bottom view of the wheel of FIG. 1;

FIG. 5 is a right side view of the wheel of FIG. 1; and,

FIG. 6 is a left side view of the wheel of FIG. 1.

1 Claim, 3 Drawing Sheets

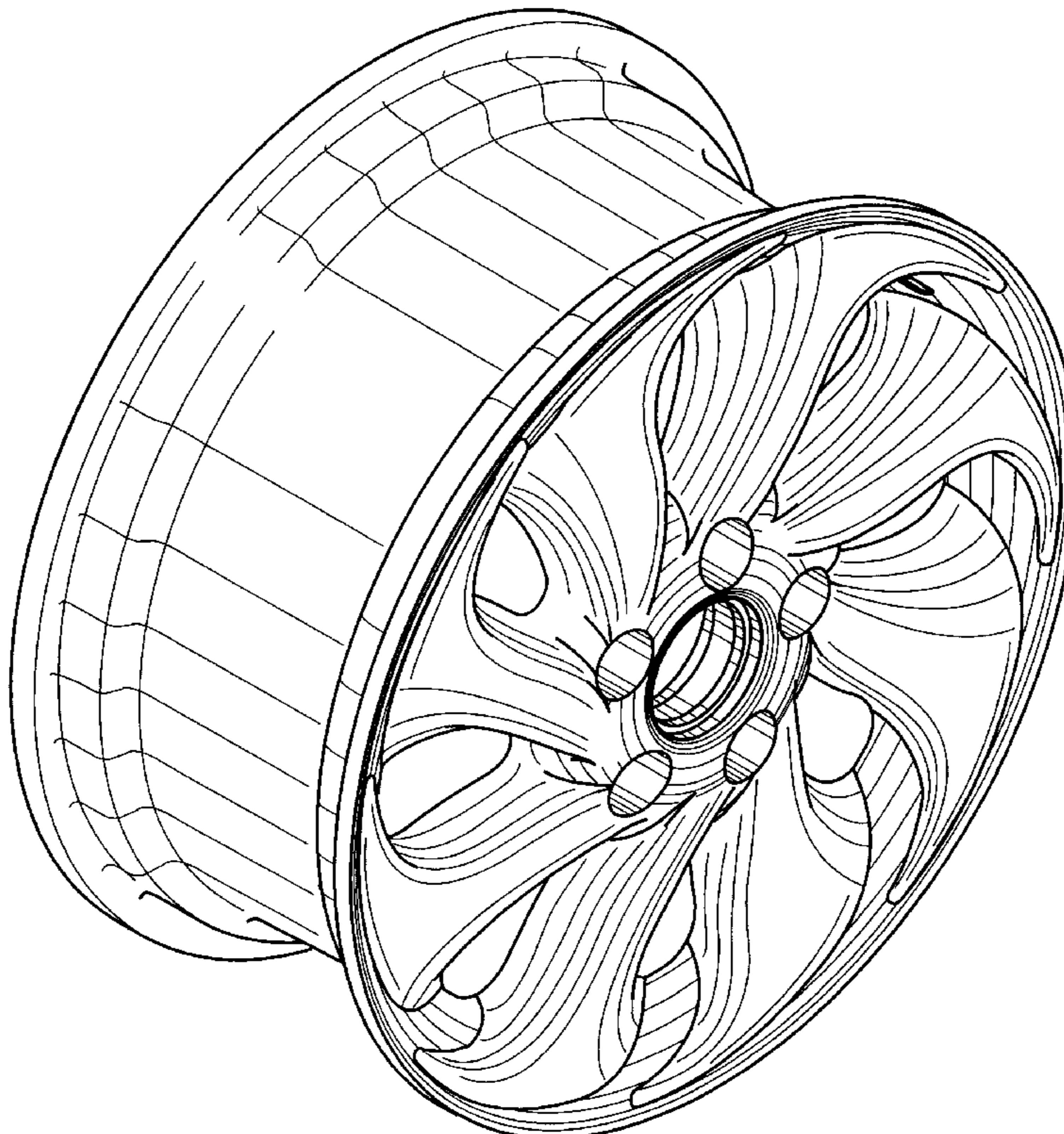


FIG. 1

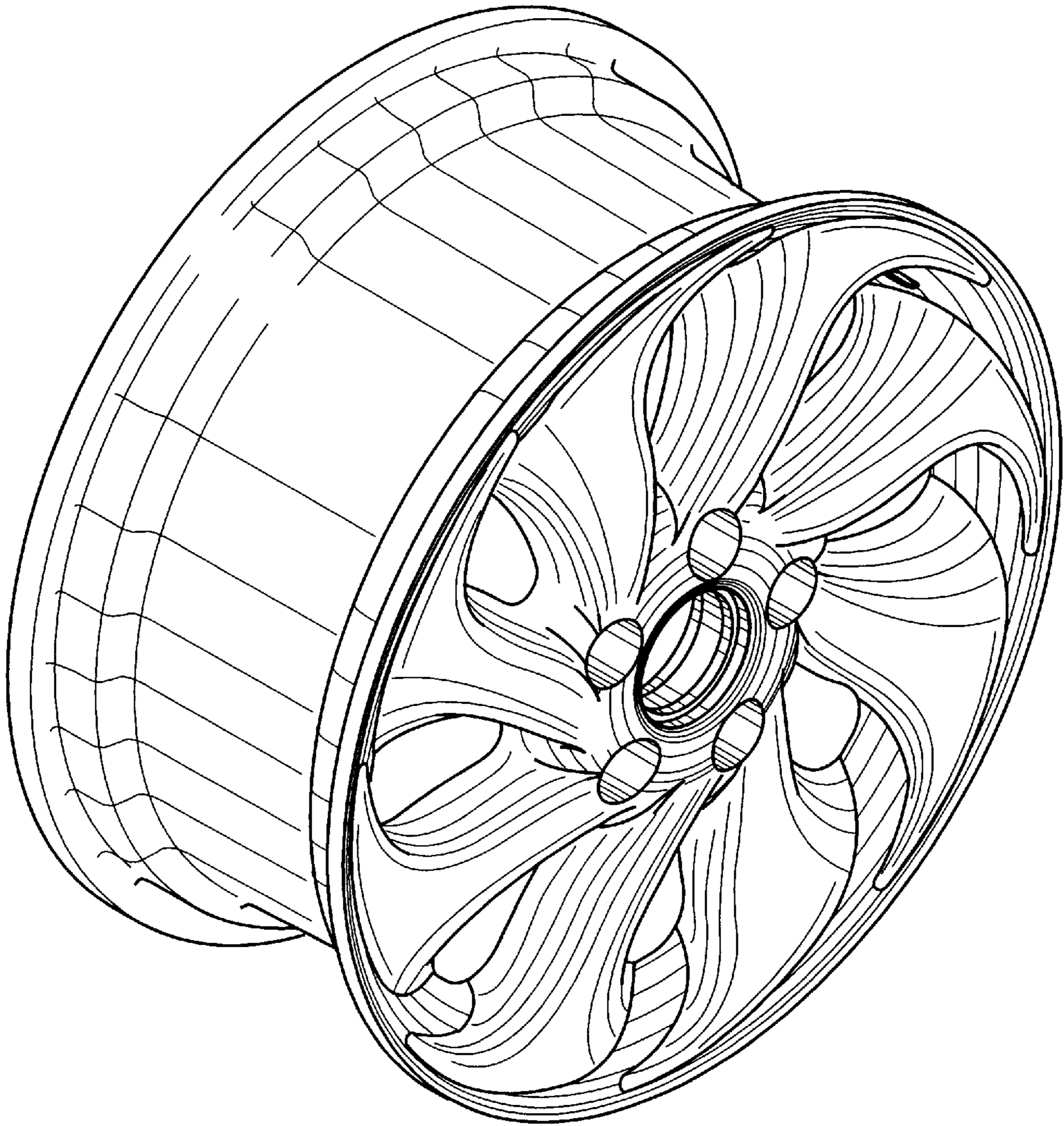


FIG.3

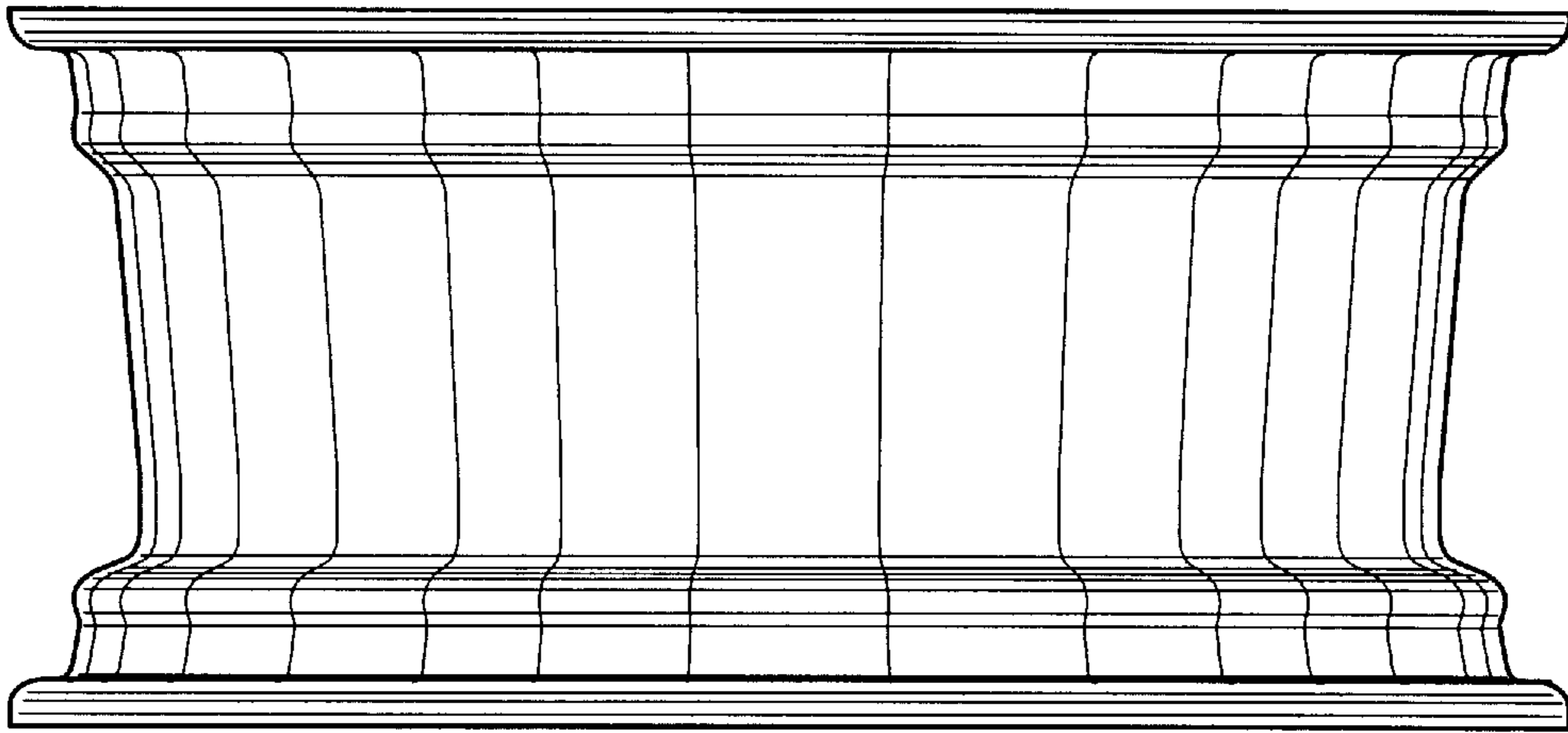


FIG.2

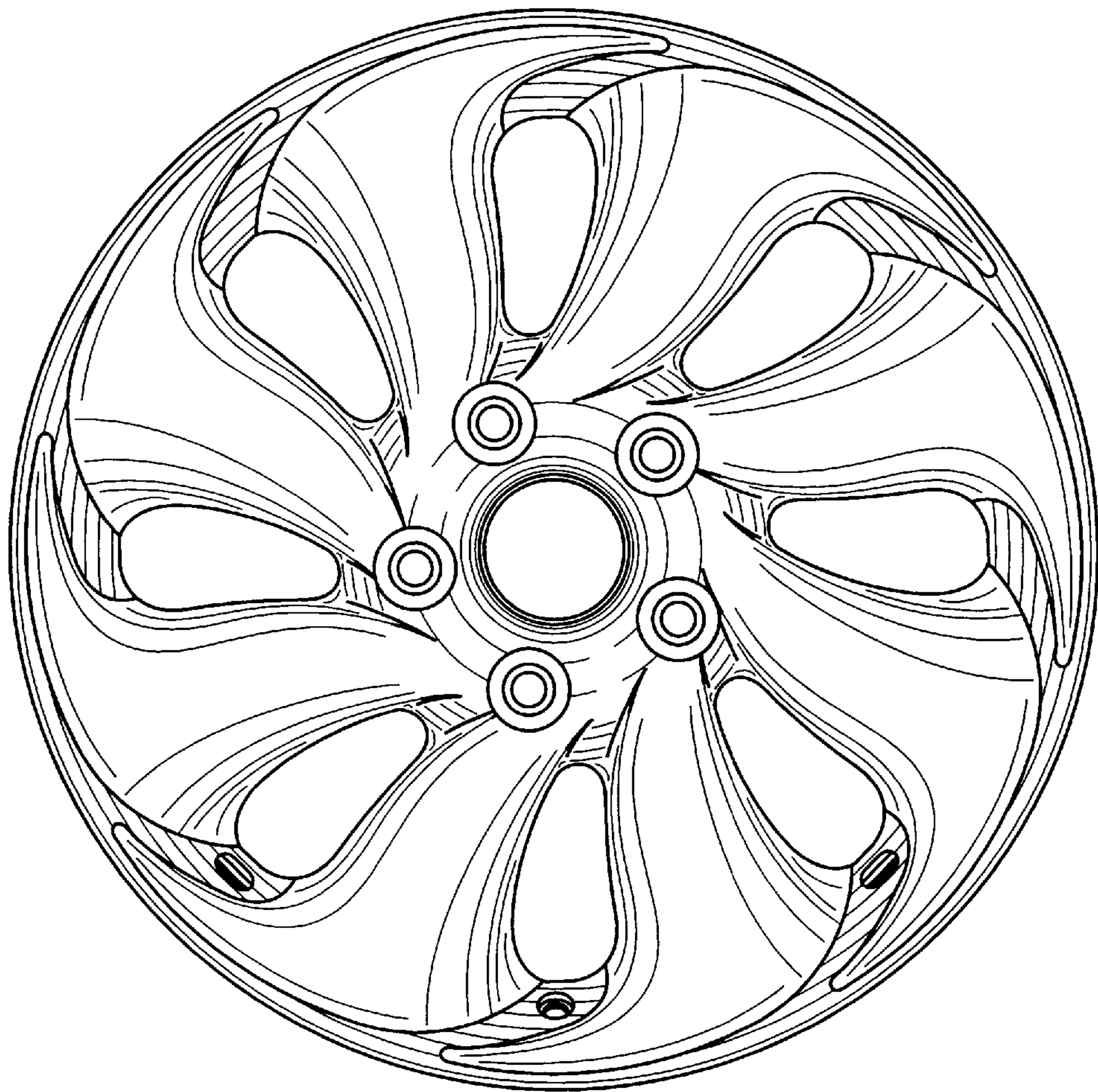


FIG.6

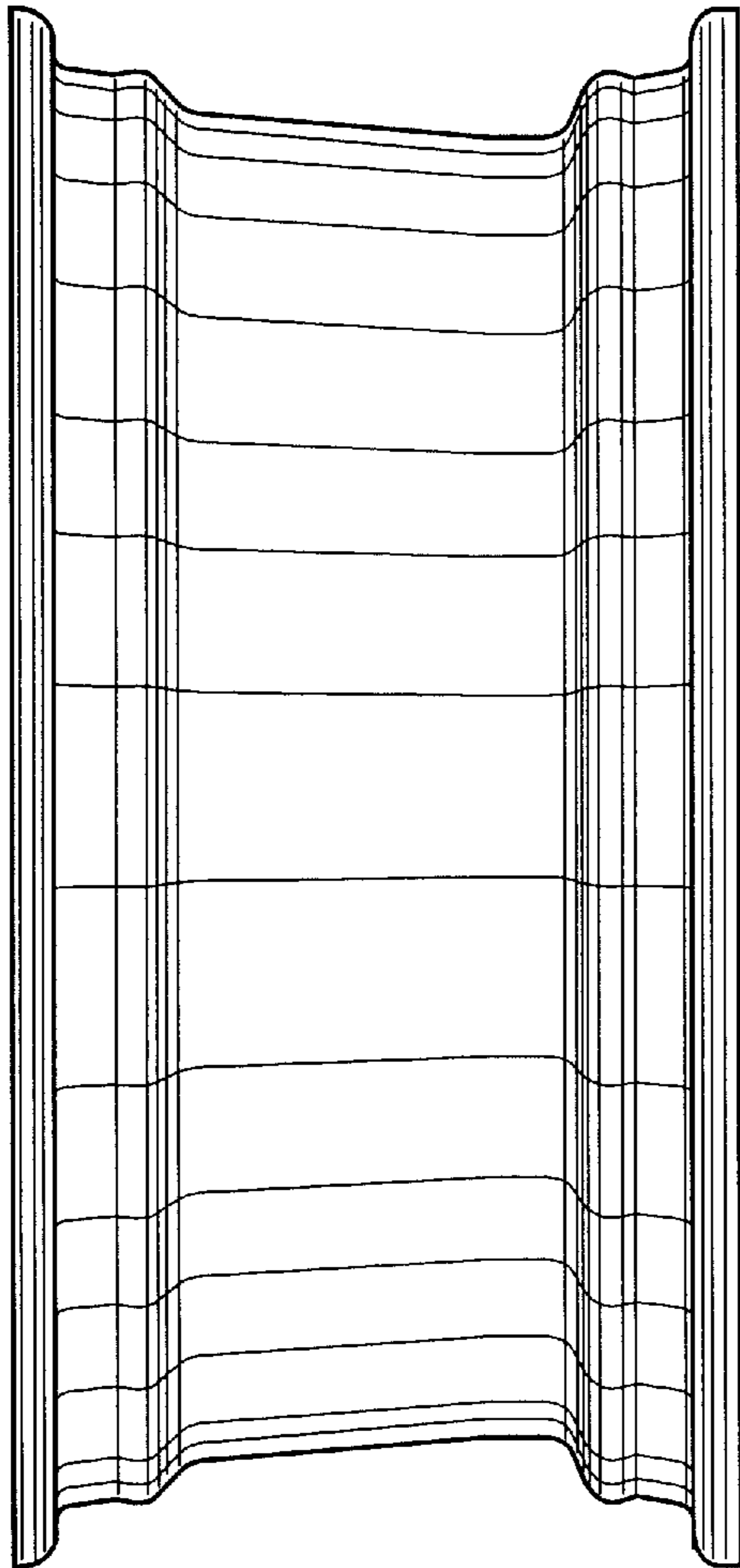


FIG.5

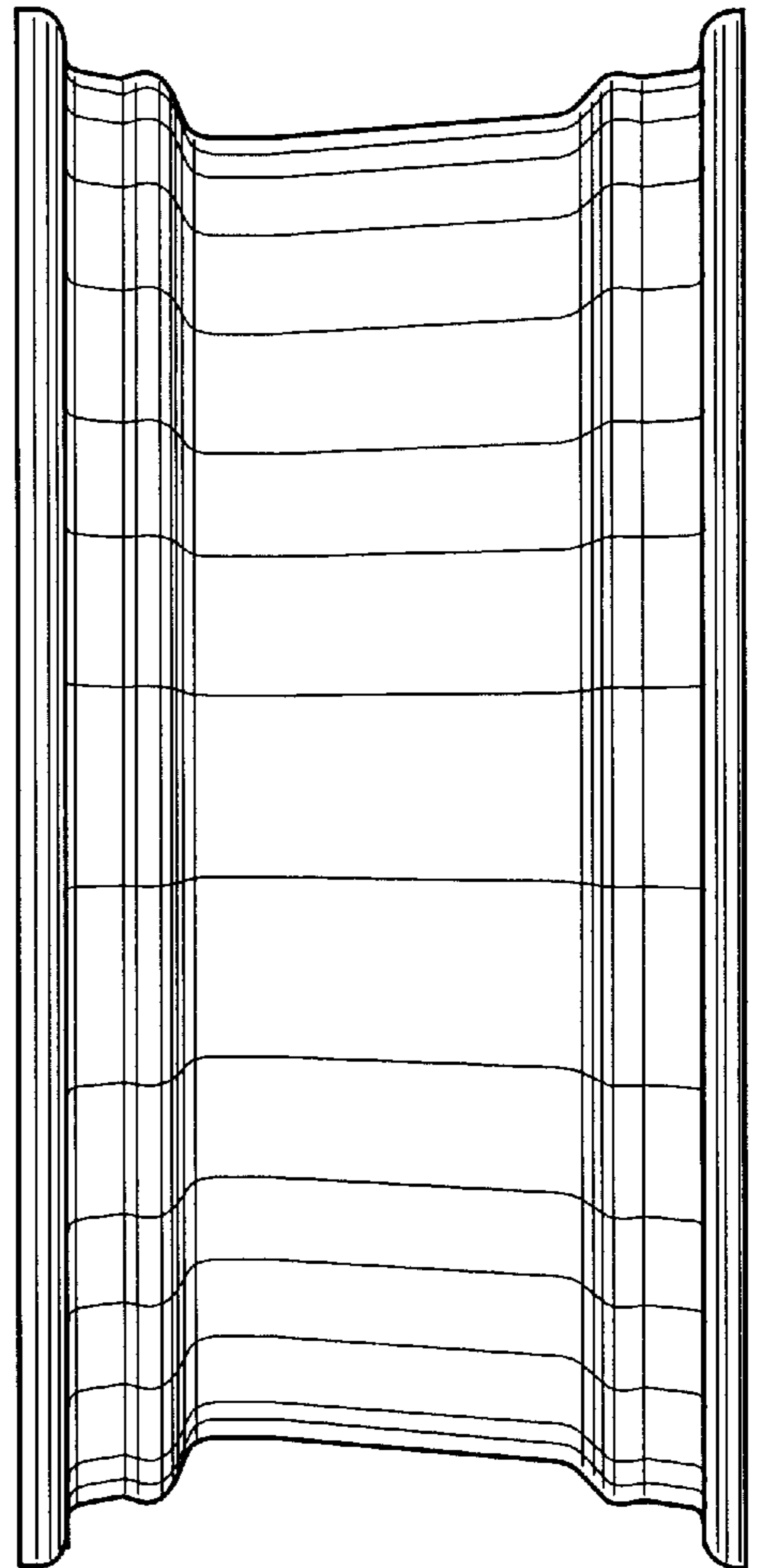


FIG.4

