



US00D402603S

United States Patent [19] Witkowski

[11] **Patent Number: Des. 402,603**

[45] **Date of Patent: **Dec. 15, 1998**

[54] **VEHICLE BUMPER**

[75] Inventor: **Thomas G. Witkowski**, Shelby Township, Mich.

[73] Assignee: **Romeo-Rim, Inc.**, Romeo, Mich.

[**] Term: **14 Years**

[21] Appl. No.: **80,452**

[22] Filed: **Dec. 10, 1997**

[51] **LOC (6) Cl.** **12-16**

[52] **U.S. Cl.** **D12/169**

[58] **Field of Search** D12/96, 167, 169,
D12/181; 293/102, 117, 120; 296/180.1,
180.2

[56] **References Cited**

U.S. PATENT DOCUMENTS

D. 281,153	10/1985	Luthe et al.	D12/169
D. 299,916	2/1989	Ikeda	D12/169
D. 300,419	3/1989	Ikeda	D12/169
D. 311,894	11/1990	Hensly et al.	D12/169
D. 312,607	12/1990	Yamamoto	D12/169
D. 328,050	7/1992	Stepinsky, Jr.	D12/169
D. 336,881	6/1993	Fairweather	D12/169
D. 364,371	11/1995	Raz et al.	D12/189
4,061,384	12/1977	Montgomery et al.	293/71 R
4,364,591	12/1982	Bien	293/102
4,932,716	6/1990	Manlowe et al.	296/180.2

FOREIGN PATENT DOCUMENTS

2 134 858 8/1984 United Kingdom B60R 19/08

OTHER PUBLICATIONS

Romeo-Rim, Inc. "Front Slide-In HELP Energy Absorbing Bumpers" literature, 2 pages (undated).

Romeo-Rim, Inc. "HELP Energy Absorbing Bumpers" literature, 4 pages, (undated).

Romeo-Rim, Inc. "Intermediate HELP Energy Absorbing Bumpers" literature, 2 pages, (undated).

Romeo-Rim, Inc. "Intermediate Swept HELP Energy Absorbing Bumpers" literature, 1 page, (undated).

Romeo-Rim, Inc. "Pretend you're a bus." literature, 4 pages (undated).

Romeo-Rim, Inc. "Slide-In Anti-Ride HELP Energy Absorbing Bumpers" literature, 2 pages, (undated).

Romeo-Rim, Inc. "Universal Anti-Ride HELP Energy Absorbing Bumpers" literature, 2 pages, (undated).

Romeo-Rim, Inc. "Universal HELP Bumper" literature, 2 pages, (undated).

Three photographs of a Transpec, Inc. (of Troy, Michigan) bumper, 1 page, (undated).

Primary Examiner—Melody N. Brown

Attorney, Agent, or Firm—Renner, Kenner, Greive, Bobak, Taylor & Weber

[57] **CLAIM**

The ornamental design for a vehicle bumper, as shown and described.

DESCRIPTION

FIG. 1 is a front, top, right side perspective view of a vehicle bumper showing my new design;

FIG. 2 is a top plan view thereof;

FIG. 3 is a front elevational view thereof;

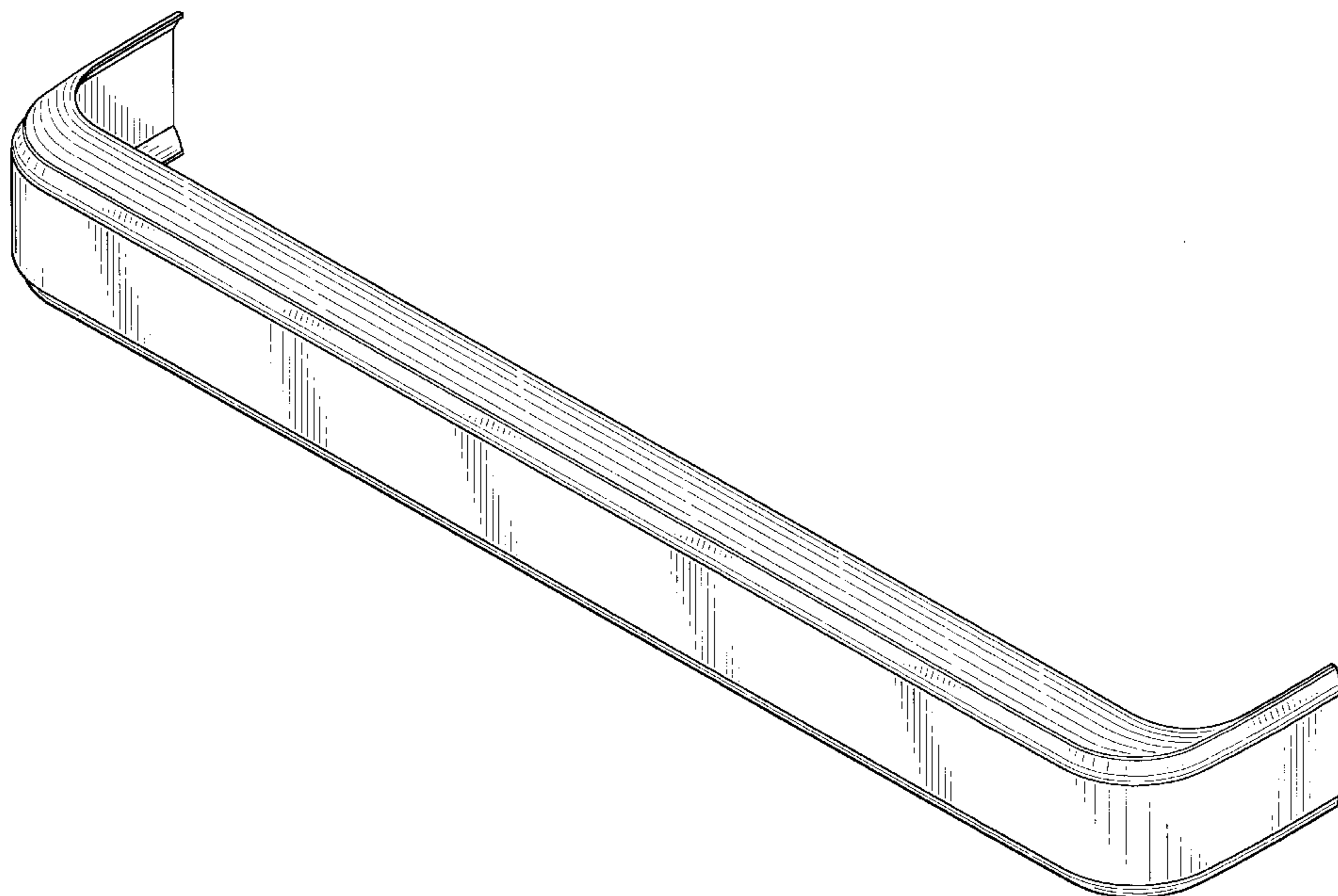
FIG. 4 is a left side elevational view thereof;

FIG. 5 is a right side elevational view thereof;

FIG. 6 is a rear elevational view thereof; and,

FIG. 7 is a bottom plan view thereof.

1 Claim, 3 Drawing Sheets



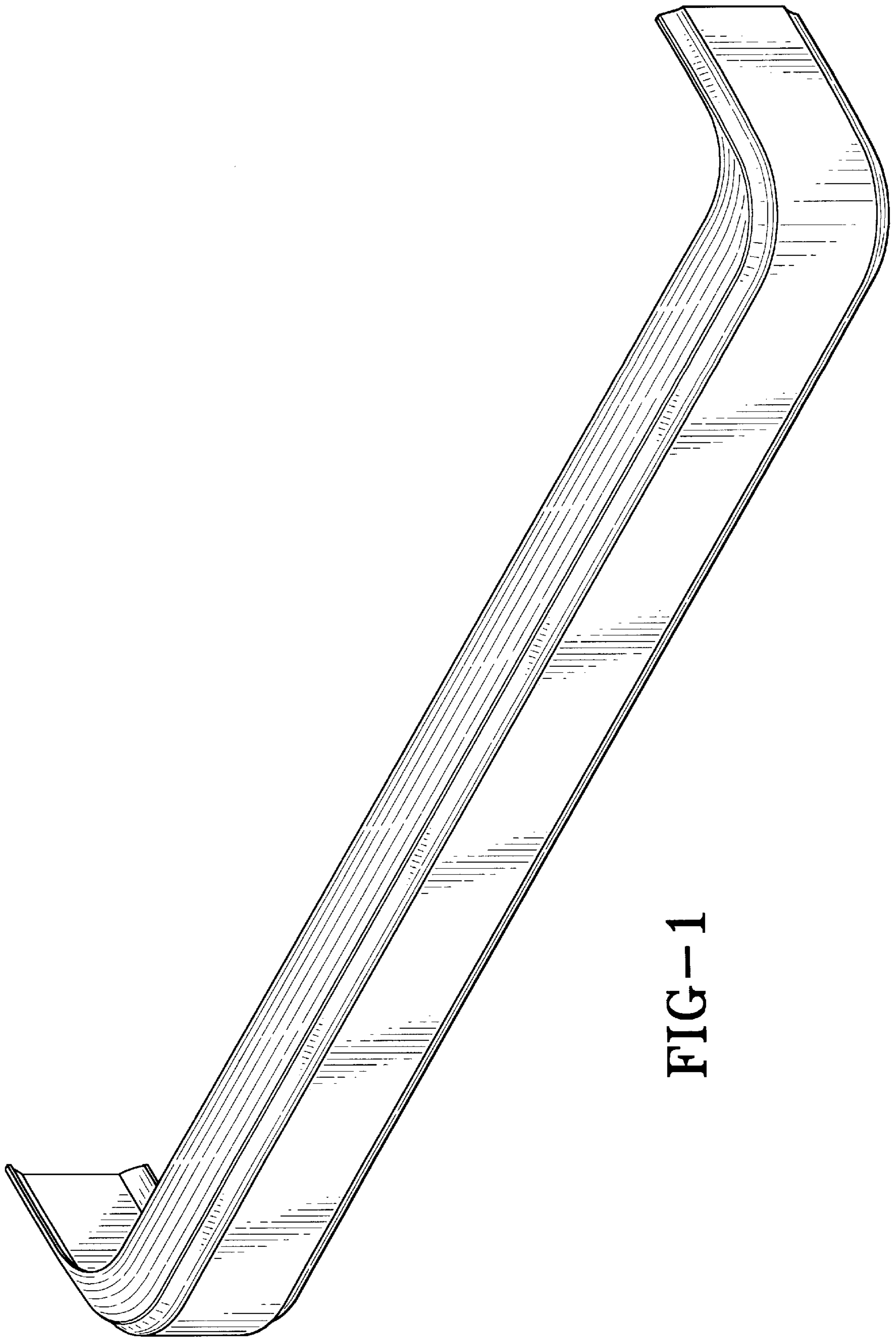


FIG-1

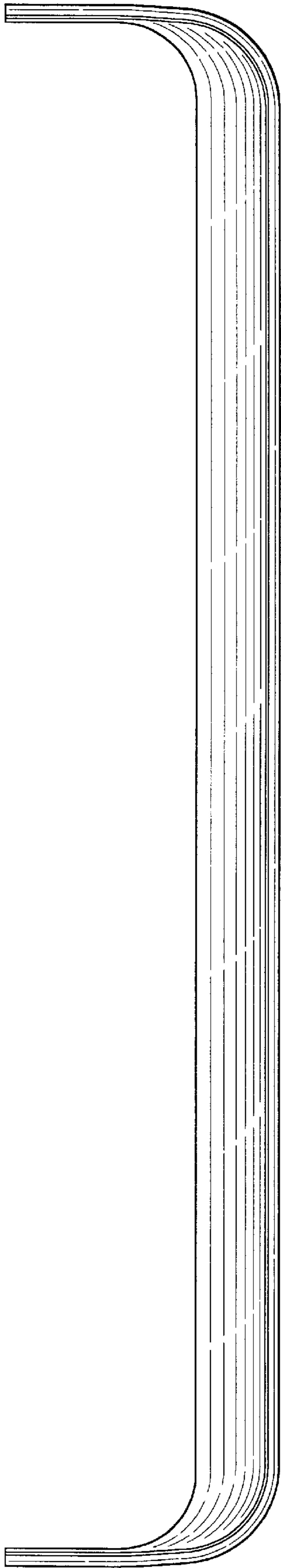


FIG-2

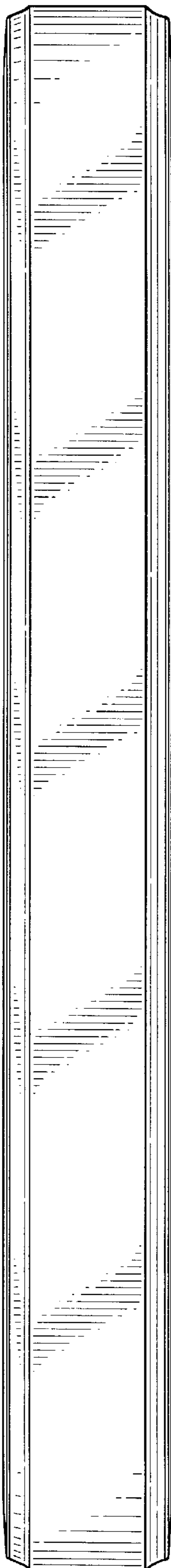


FIG-3

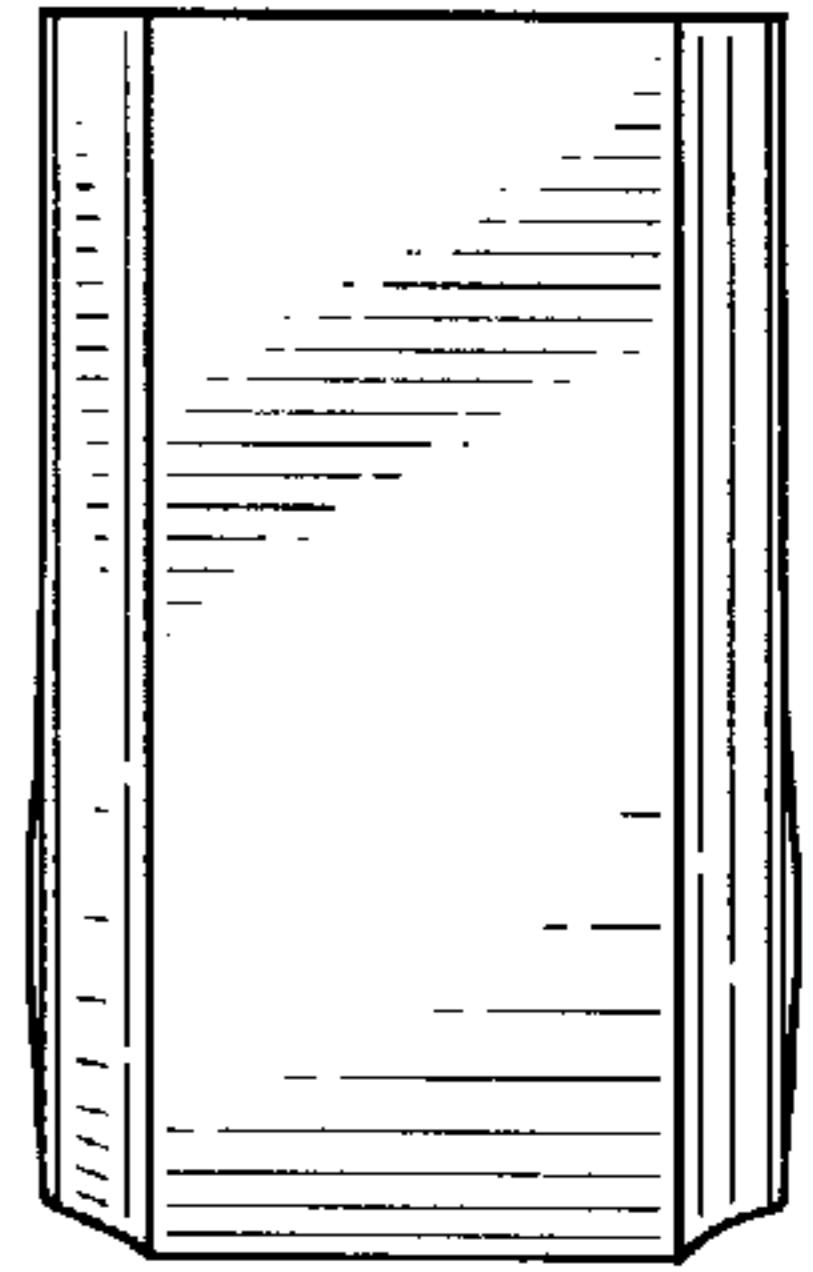


FIG-5

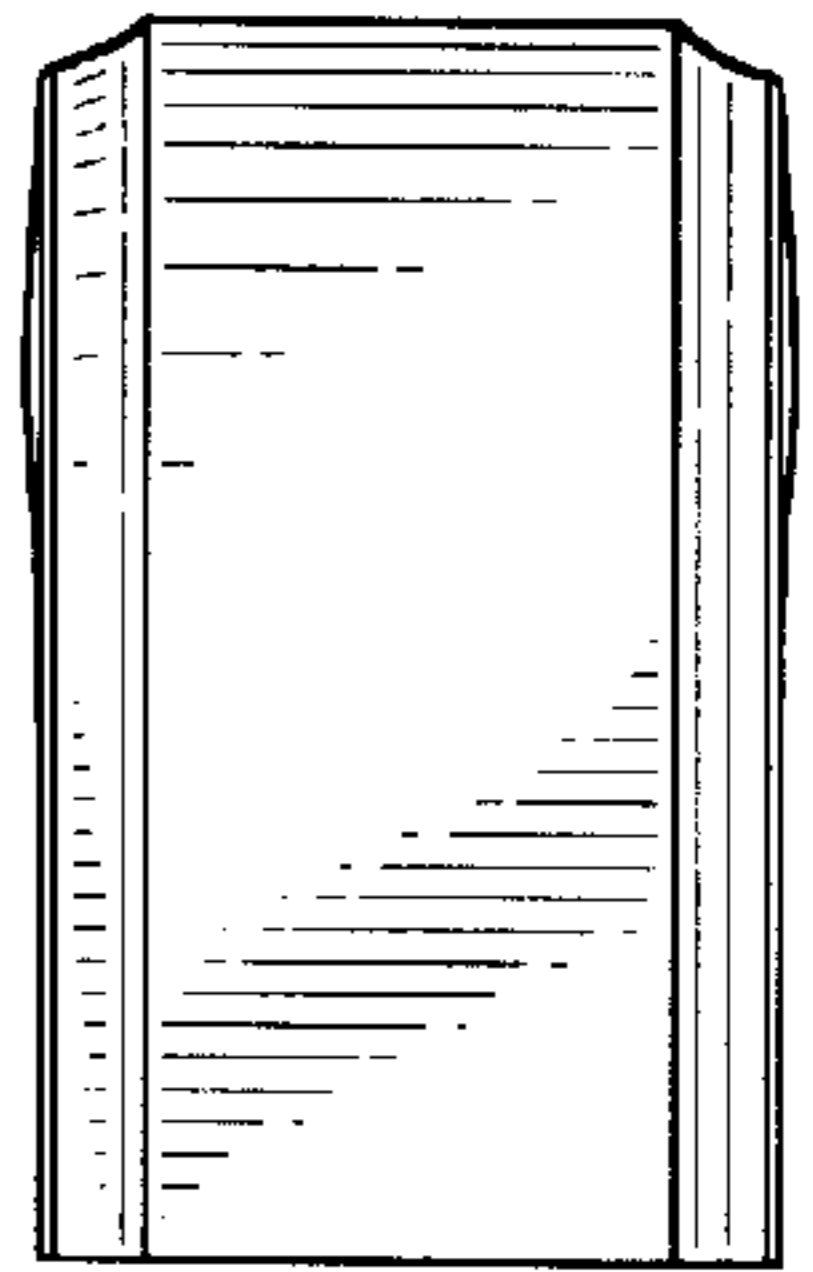


FIG-4

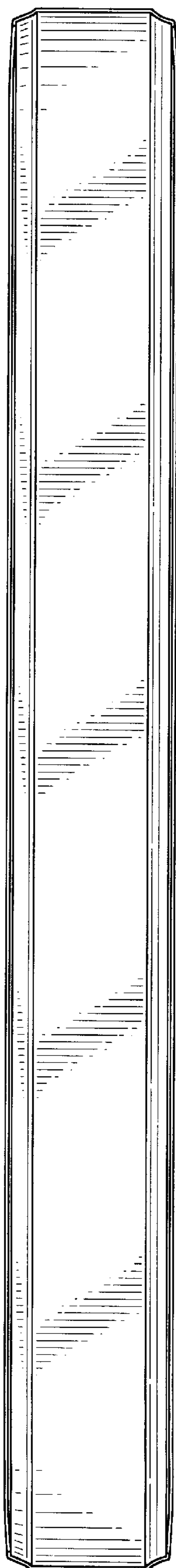


FIG-6

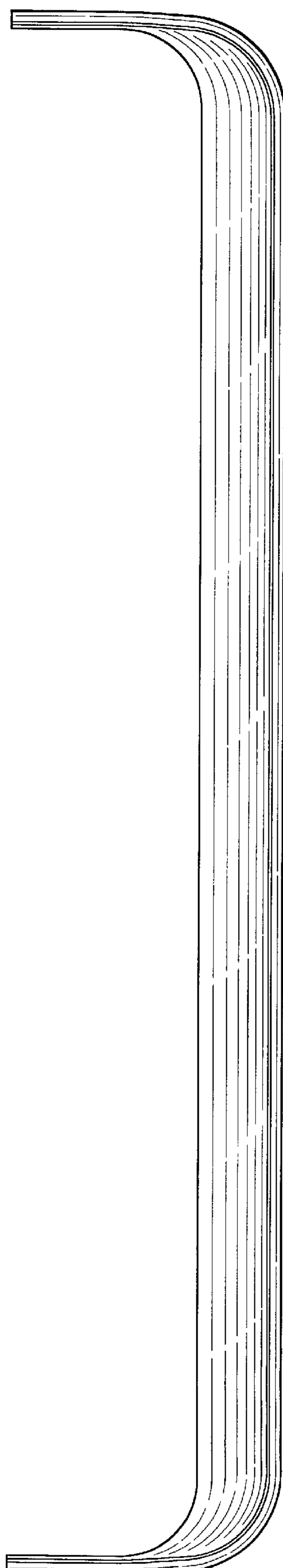


FIG-7