



US00D402602S

# United States Patent [19] Niswanger

[11] Patent Number: **Des. 402,602**

[45] Date of Patent: **\*\*Dec. 15, 1998**

[54] **UNIVERSAL GOOSENECK TRAILER LOCK**

[75] Inventor: **Ramon A. Niswanger**, Granbury, Tex.

[73] Assignee: **Blaycock Industries, Inc.**, Fort Worth, Tex.

[\*\*] Term: **14 Years**

[21] Appl. No.: **85,868**

[22] Filed: **Mar. 31, 1998**

[51] **LOC (6) Cl.** ..... **12-16**

[52] **U.S. Cl.** ..... **D12/162; D8/331**

[58] **Field of Search** ..... D12/162, 400;  
D8/331; 70/232; 224/519, 520; 280/406.2,  
433, 415.1, 446.1, 480, 500, 504, 511

[56] **References Cited**

**U.S. PATENT DOCUMENTS**

D. 148,269	1/1948	Askins	.....	D12/162
D. 351,604	10/1994	Eudy	.....	D12/162
2,641,124	6/1953	Gallagher et al.	.....	280/433
3,650,130	3/1972	Thompson	.....	70/232
3,831,982	8/1974	Bernhardt et al.	.....	280/511
3,876,242	4/1975	Eaton	.....	280/511

4,031,727	6/1977	De Groat et al.	.....	70/232
4,141,233	2/1979	Reyes	.....	70/232
4,300,373	11/1981	Camos et al.	.....	70/232
4,840,256	6/1989	Webb	.....	280/446.1
5,052,203	10/1991	Van Cuyk	.....	70/232
5,255,545	10/1993	Wheeler	.....	70/232
5,259,223	11/1993	Nee	.....	70/232
5,647,604	7/1997	Russell	.....	280/504
5,713,691	2/1998	Solberg	.....	280/504

*Primary Examiner*—Robert M. Spear  
*Attorney, Agent, or Firm*—James E. Bradley

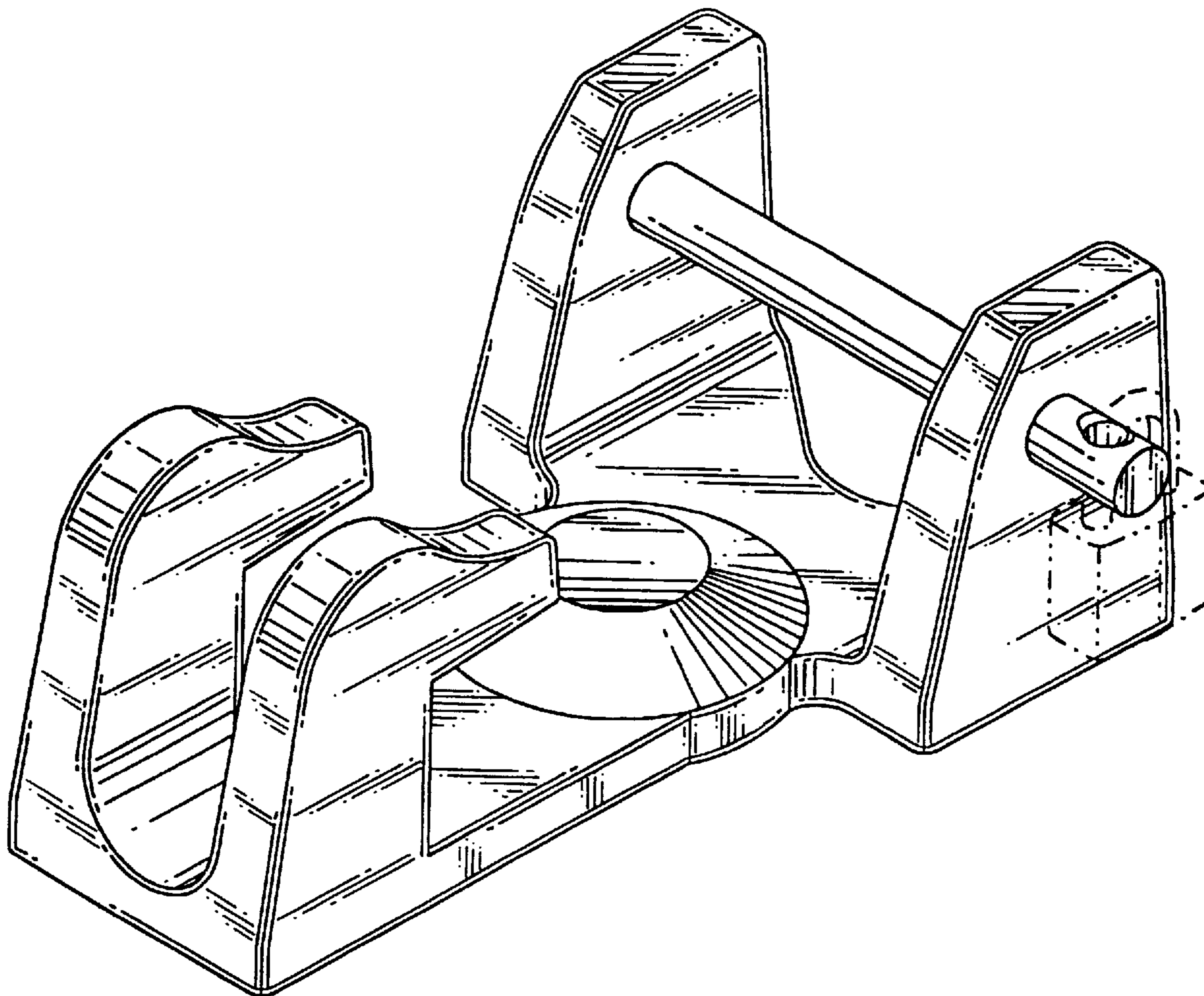
[57] **CLAIM**

The ornamental design for a universal gooseneck trailer lock, as shown and described.

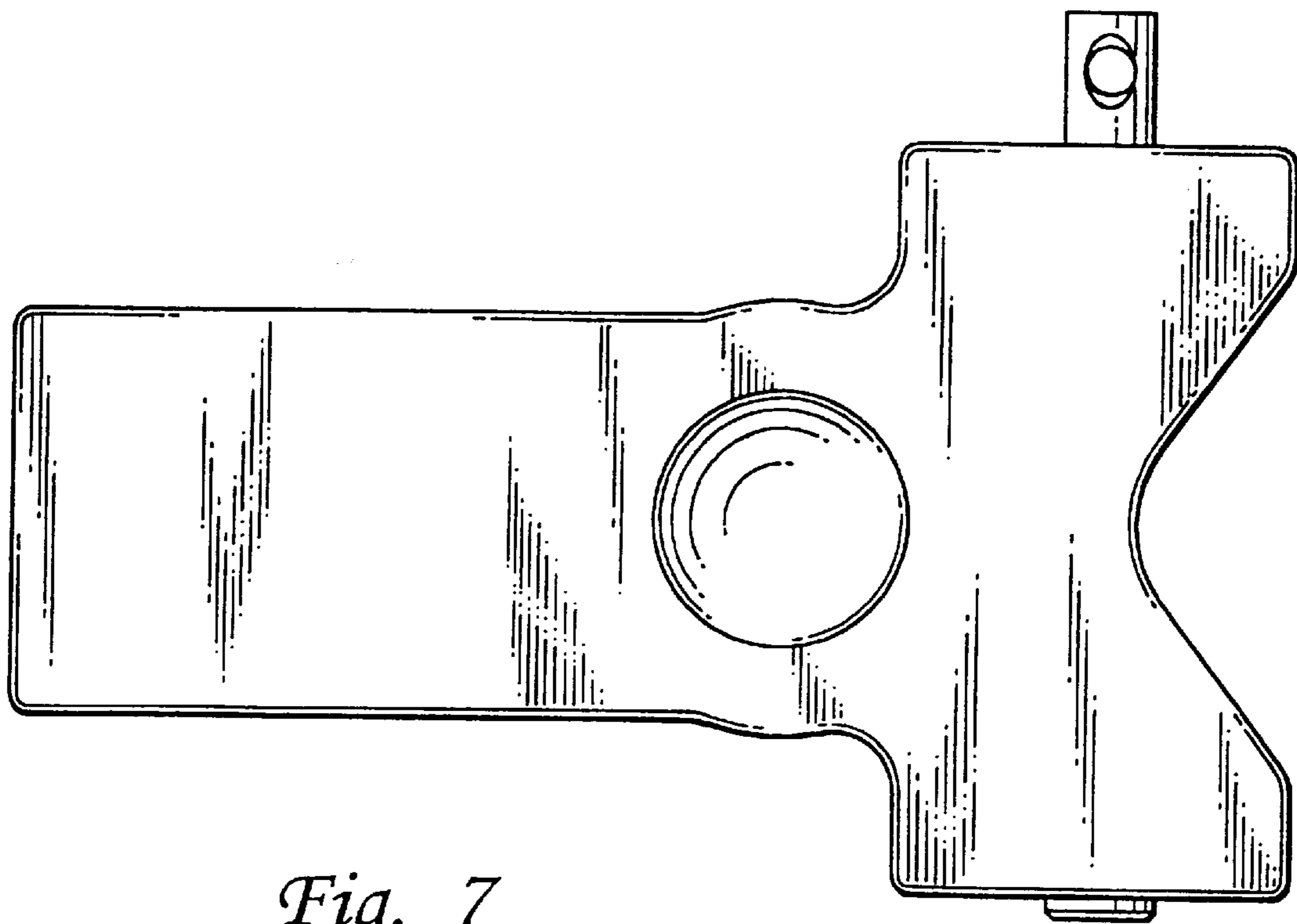
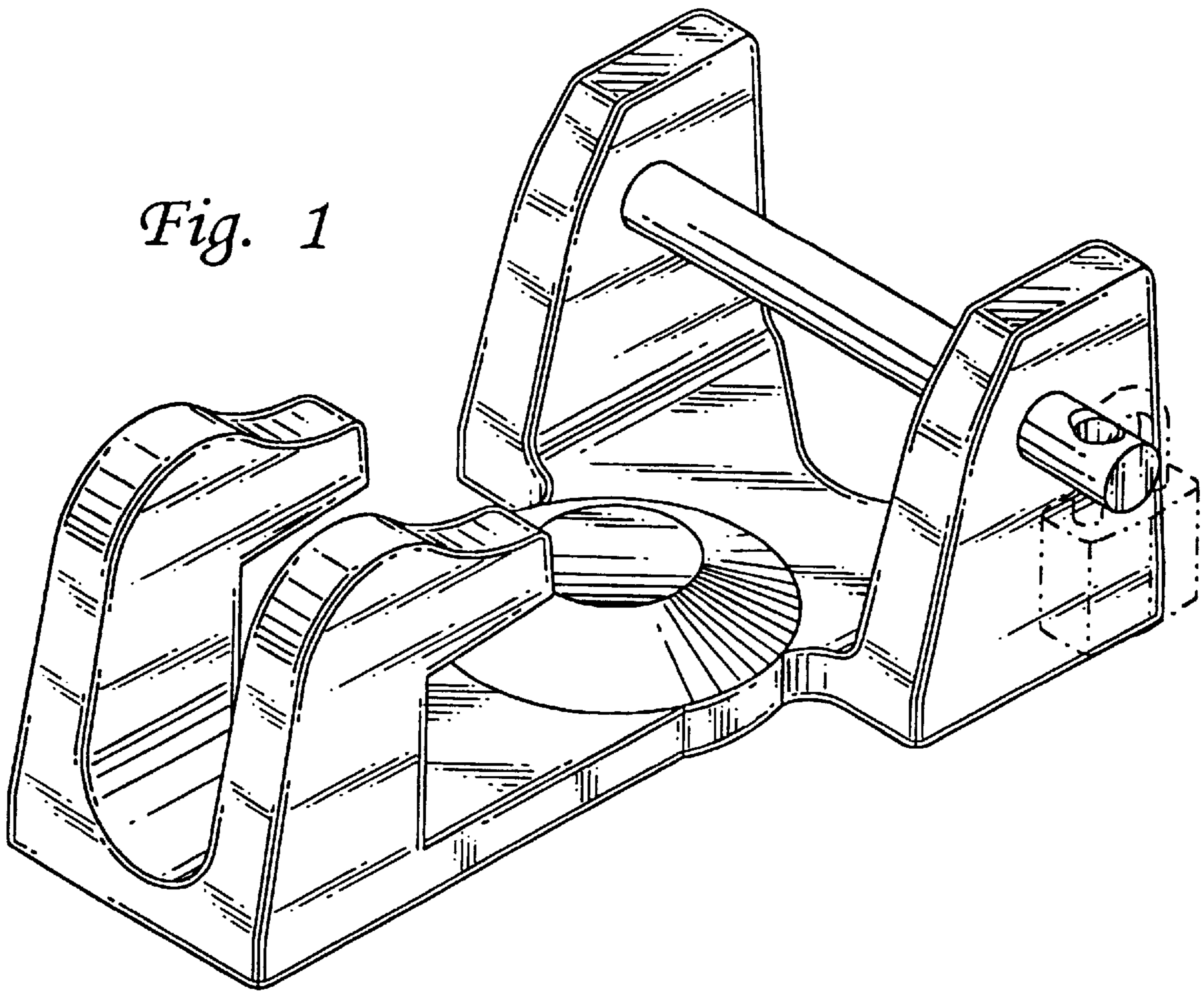
**DESCRIPTION**

FIG. 1 is a perspective view of the universal gooseneck trailer lock;  
FIG. 2 is a top view thereof;  
FIG. 3 is a front side view thereof;  
FIG. 4 is a right side elevational view thereof;  
FIG. 5 is a rear view thereof;  
FIG. 6 is a left side elevational view thereof; and,  
FIG. 7 is a bottom view thereof.

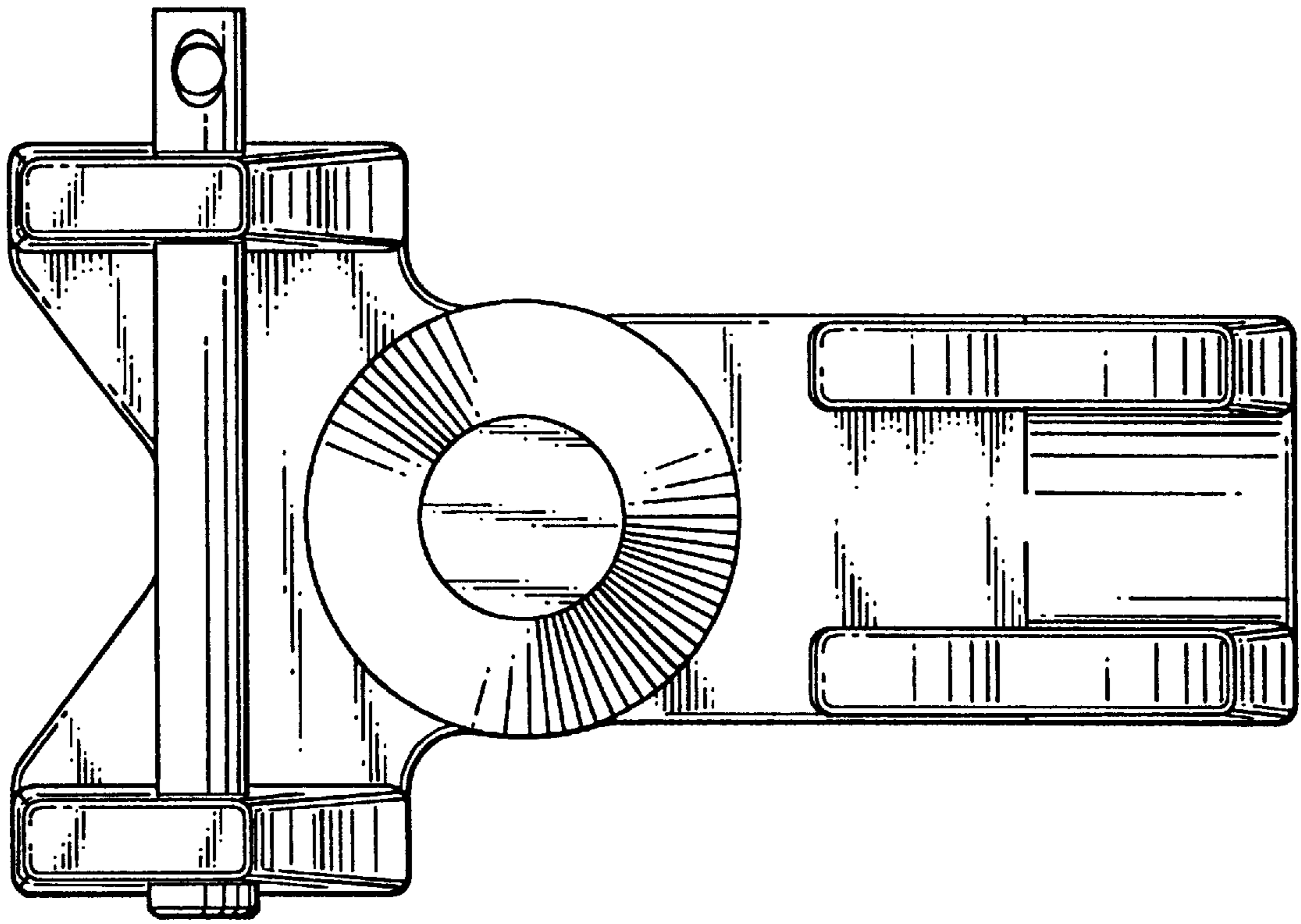
**1 Claim, 3 Drawing Sheets**



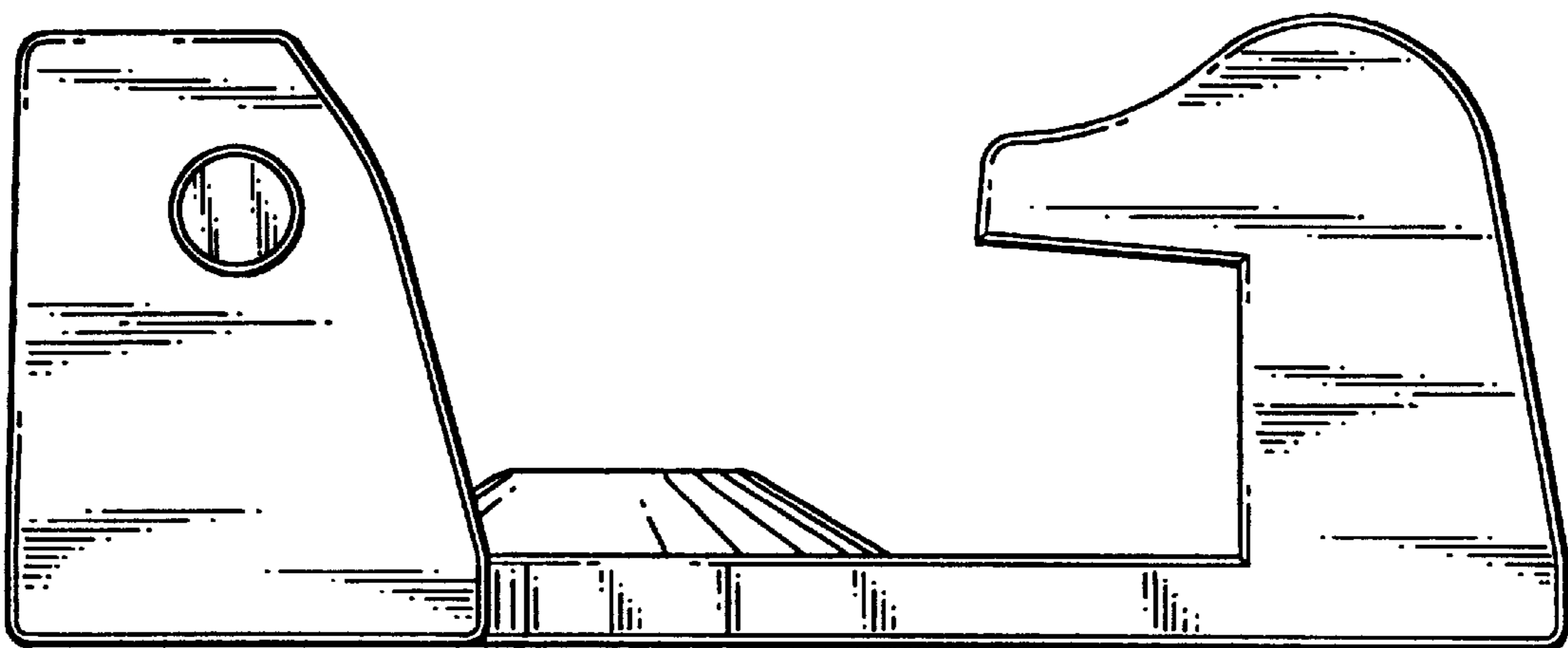
*Fig. 1*



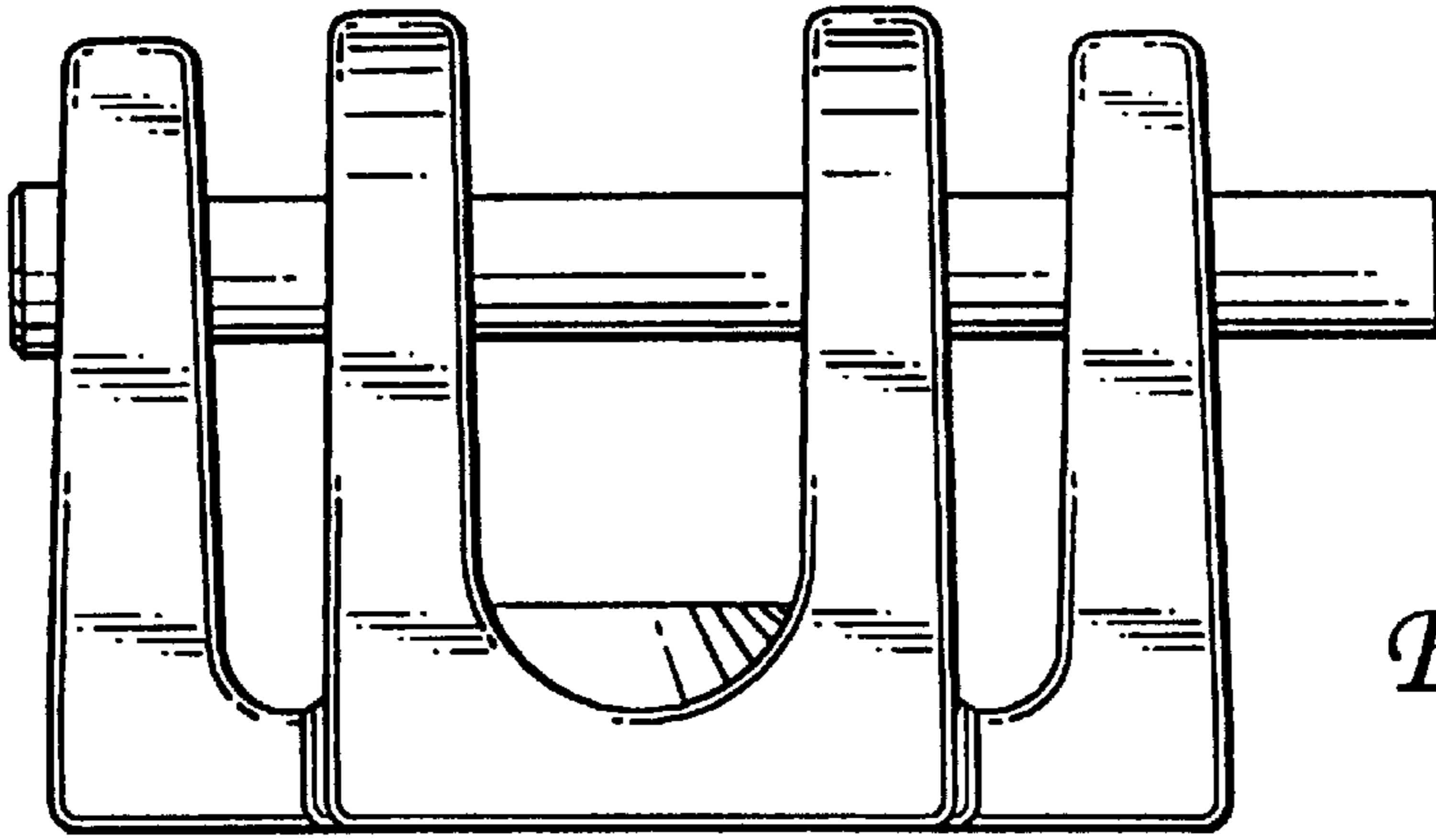
*Fig. 7*



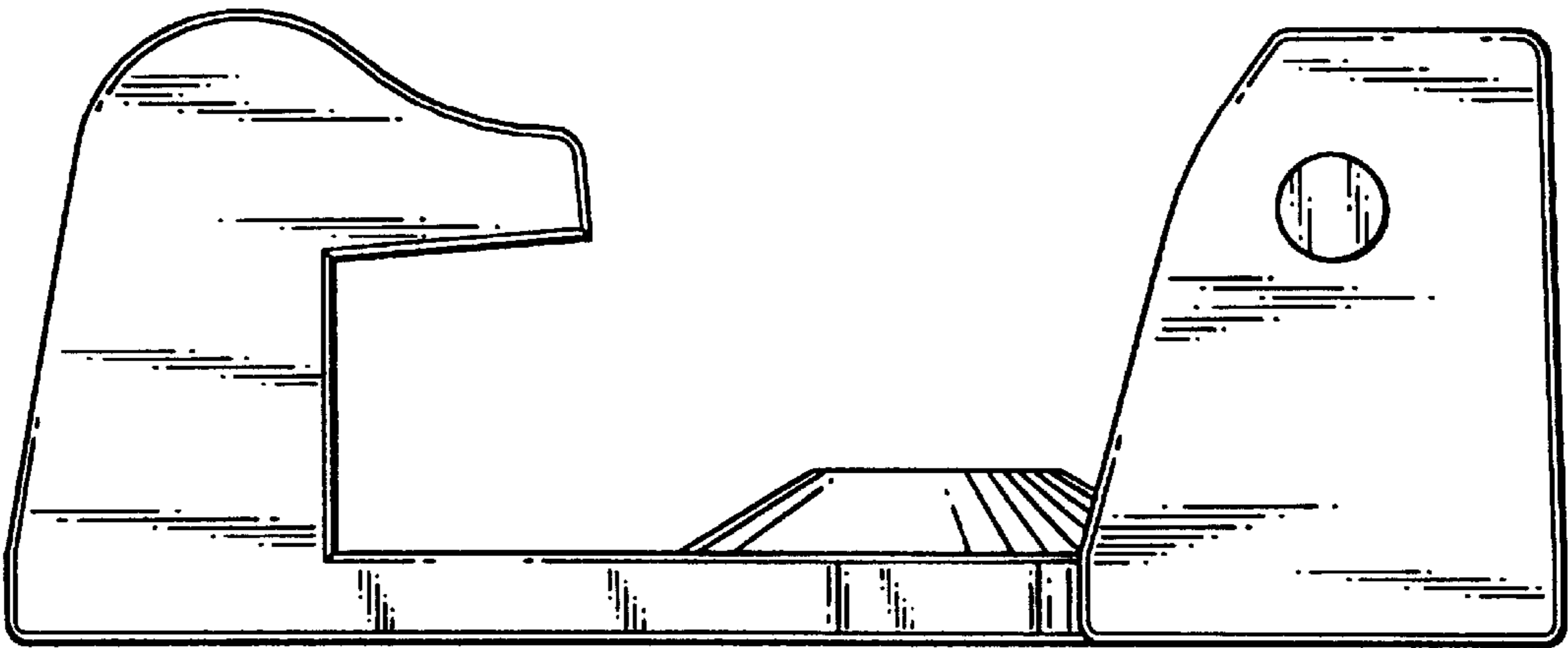
*Fig. 2*



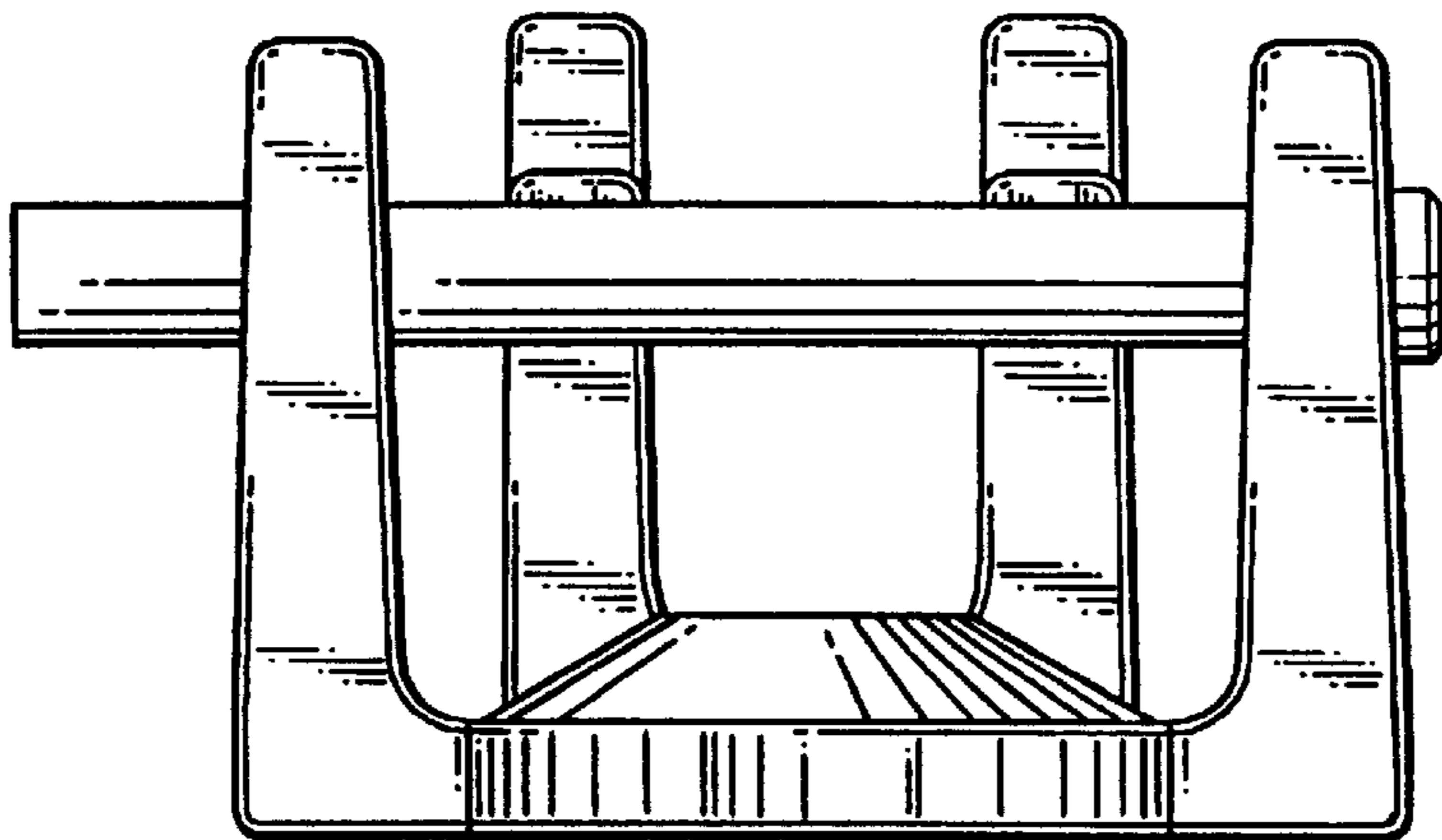
*Fig. 3*



*Fig. 4*



*Fig. 5*



*Fig. 6*

UNITED STATES PATENT AND TRADEMARK OFFICE  
**CERTIFICATE OF CORRECTION**

PATENT NO. : D402,602  
DATED : 12/15/98  
INVENTOR(S) : Raymond A. Niswanger


It is certified that error appears in the above-identified patent and that said Letters Patent is hereby corrected as shown below:

On the title page, Item [75], inventor  
should be --Raymond A. Niswanger--.

On the title page, Item [73], Assignee  
should be --Blaylock Industries, Inc.--.

Signed and Sealed this  
Twenty-fifth Day of May, 1999

*Attest:*



Q. TODD DICKINSON

*Attesting Officer*

*Acting Commissioner of Patents and Trademarks*