



US00D402600S

United States Patent [19]
Stewart

[11] **Patent Number: Des. 402,600**
[45] **Date of Patent: **Dec. 15, 1998**

[54] **TRAILER ALIGNING DEVICE**
[76] Inventor: **Rodney T. Stewart**, 3039 E. Maddock Rd., Phoenix, Ariz. 85027
[**] Term: **14 Years**
[21] Appl. No.: **82,048**
[22] Filed: **Jan. 13, 1998**
[51] **LOC (6) Cl.** **12-16**
[52] **U.S. Cl.** **D12/162**
[58] **Field of Search** D12/162, 400; 33/264; 280/477

4,583,481 4/1986 Garrison 33/264
4,723,788 2/1988 Suter 33/264
5,680,706 10/1997 Talcott 33/264

Primary Examiner—Robert M. Spear
Attorney, Agent, or Firm—Warren F. B. Lindsley

[57] **CLAIM**

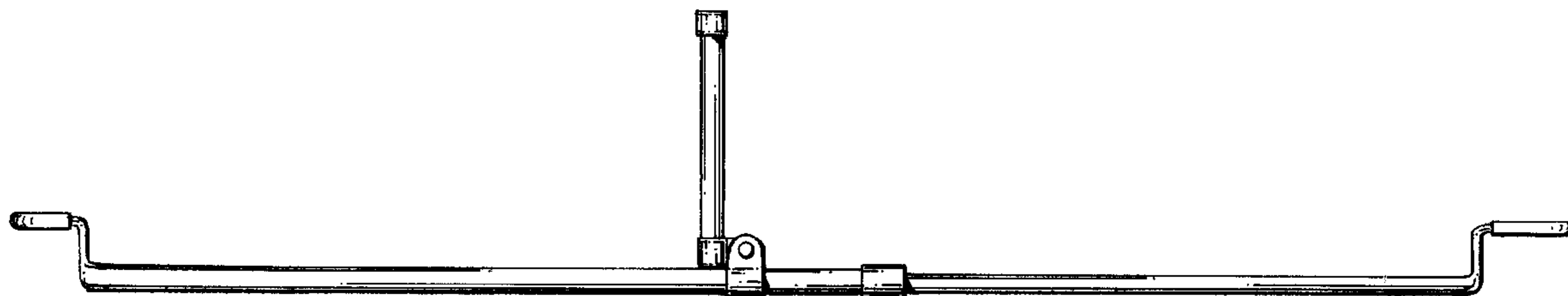
The ornamental design for a trailer aligning device, as shown and described.

DESCRIPTION

FIG. 1 is a front elevation view of a trailer aligning device with the rear view being a mirror image thereof; FIG. 2 is a top plan view of FIG. 1; FIG. 3 is a bottom view of FIG. 1; FIG. 4 is a left end elevation view of FIG. 1; and, FIG. 5 is a right end elevation view of FIG. 1. For ease of disclosure, a portion of the trailer aligning device has been shown cut away in FIGS. 2-3.

[56] **References Cited**
U.S. PATENT DOCUMENTS
D. 338,644 8/1993 Winton D12/162
D. 343,153 1/1994 Erickson et al. D12/162
2,109,044 2/1938 Grieve 33/264
3,159,917 12/1964 Whitehead 280/477

1 Claim, 1 Drawing Sheet



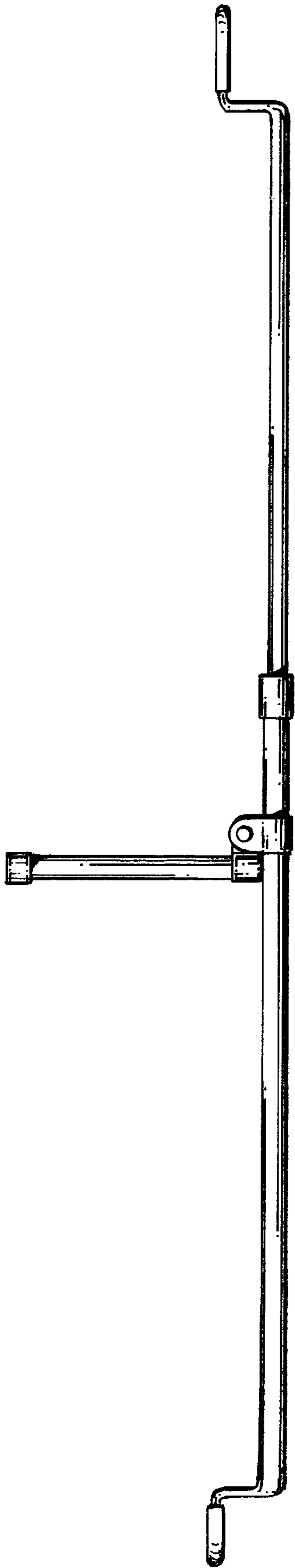


FIG. 1

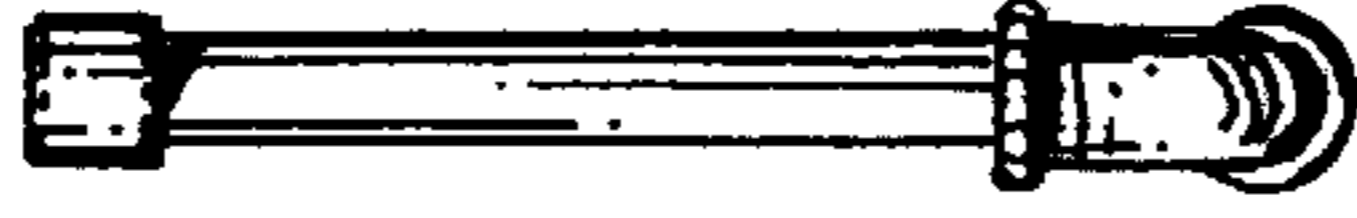


FIG. 4

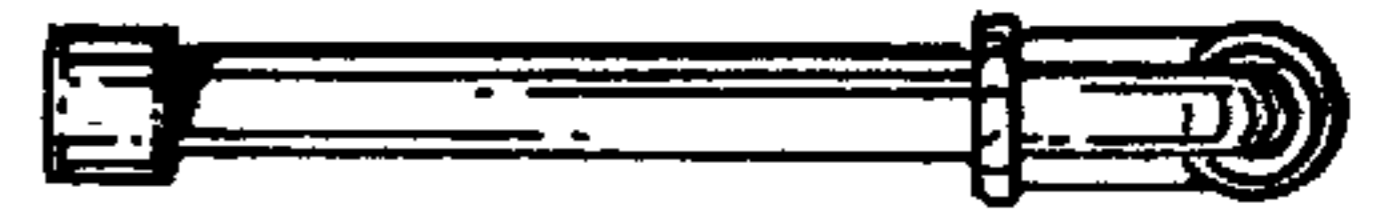


FIG. 5

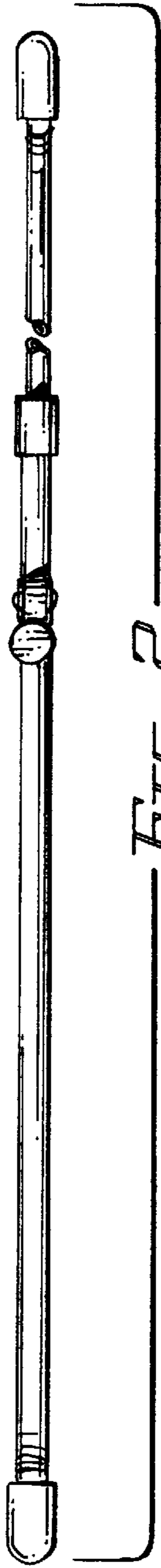


FIG. 2

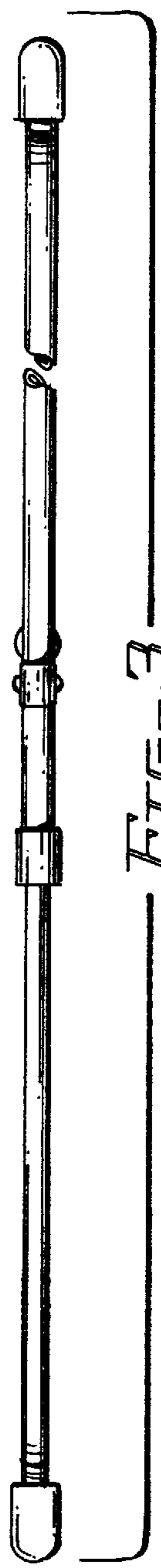


FIG. 3