



US00D402597S

United States Patent [19]
Everett

[11] **Patent Number: Des. 402,597**

[45] **Date of Patent: **Dec. 15, 1998**

[54] **BASE FRAME OF A COLLAPSIBLE BABY JOGGING STROLLER**

D. 382,234 8/1997 Hinkston D12/133

[76] Inventor: **Richard C. Everett**, 225 Sunshine La.,
West Linn, Oreg. 97068

Primary Examiner—Kay H. Chin
Attorney, Agent, or Firm—Edward E. Roberts

[**] Term: **14 Years**

[57] **CLAIM**

The ornamental design for a base frame of a jogging stroller,
as shown.

[21] Appl. No.: **83,005**

[22] Filed: **Feb. 4, 1998**

DESCRIPTION

[51] **LOC (6) Cl.** **12-12**

[52] **U.S. Cl.** **D12/133**

[58] **Field of Search** D12/128, 129,
D12/133; 280/30, 36, 62, 644, 650, 647,
652, 657, 630

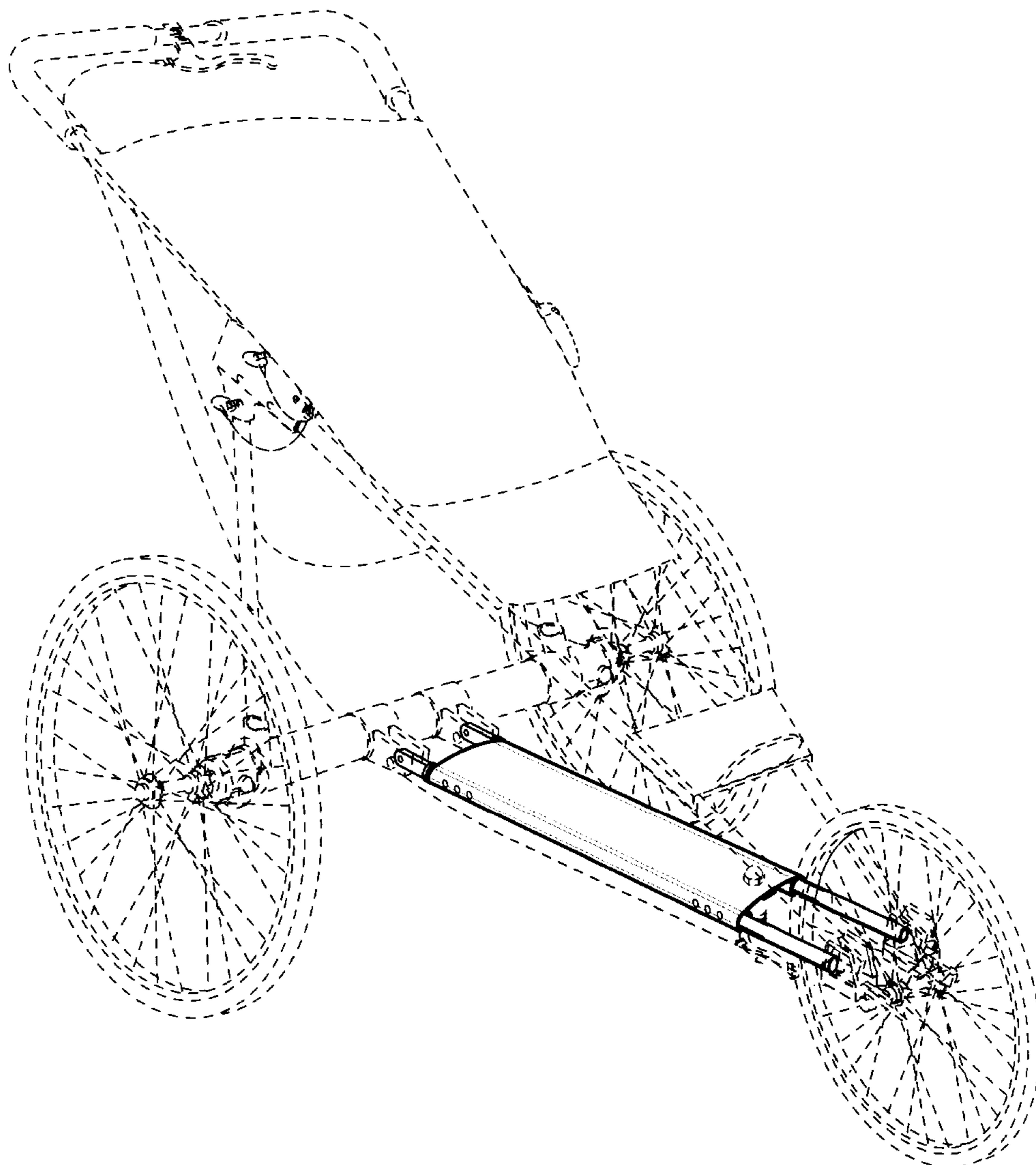
FIG. 1 is a perspective view of a base frame for a collapsible baby jogging stroller showing my new design;
FIG. 2 is a front elevational view thereof;
FIG. 3 is a back elevational view thereof;
FIG. 4 is a top view thereof;
FIG. 5 is a side elevational view thereof;
FIG. 6 is a bottom view thereof; and,
FIG. 7 is a front end view of the invention looking from the front wheel position toward the rear axle.

[56] **References Cited**

U.S. PATENT DOCUMENTS

- D. 369,579 5/1996 Baechler D12/133
- D. 371,094 6/1996 Hinkston D12/129

1 Claim, 7 Drawing Sheets



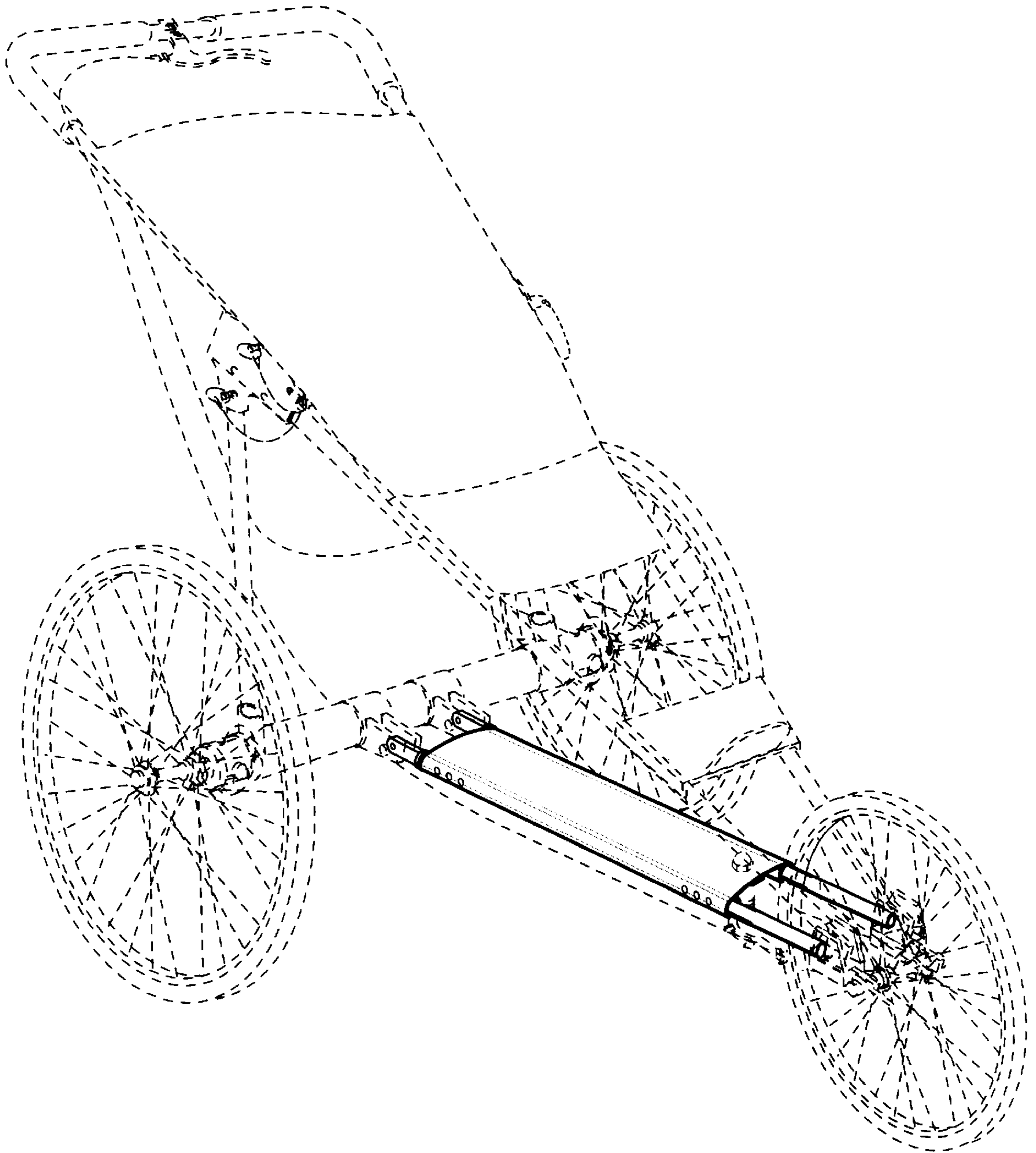


FIG. 1

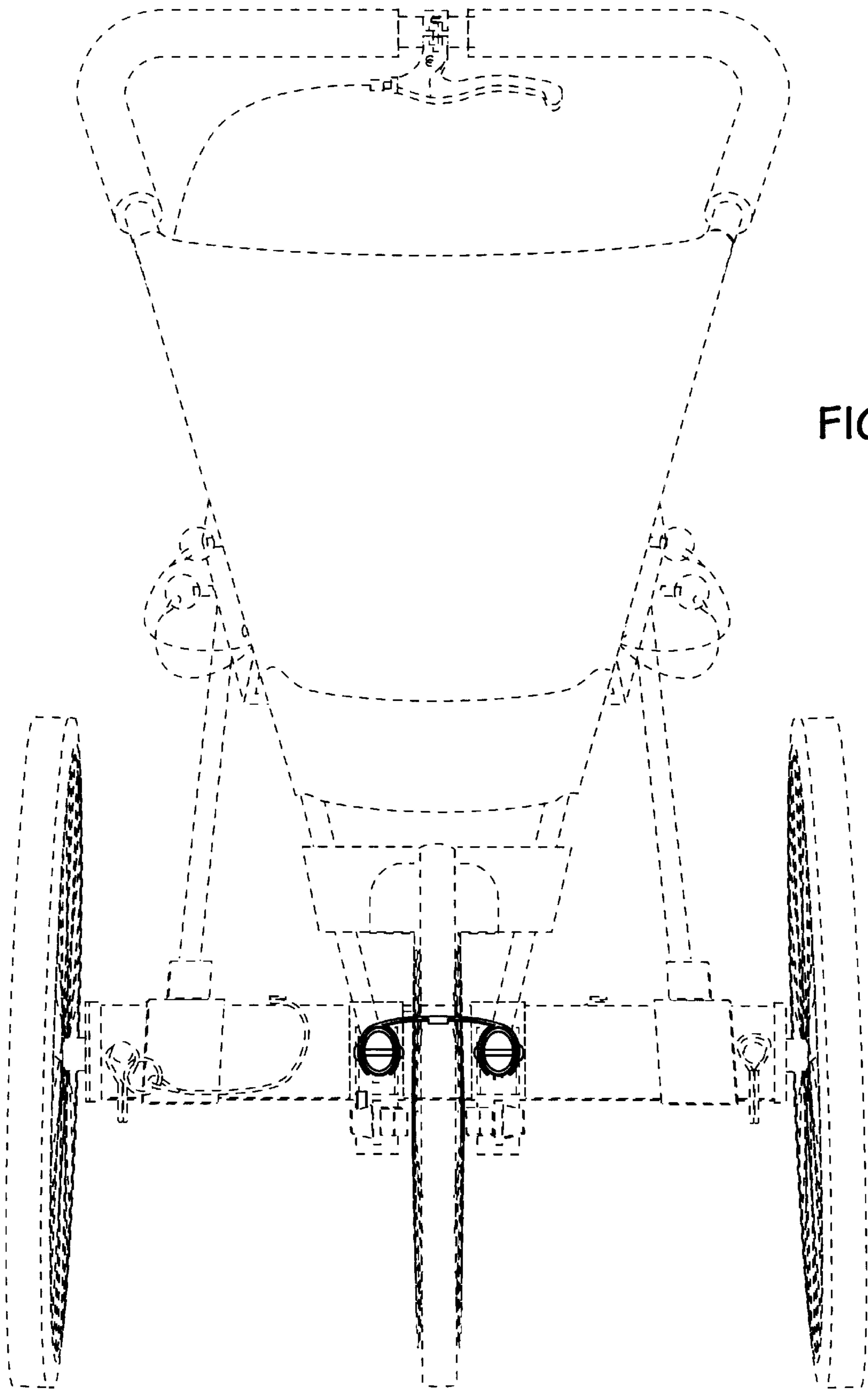


FIG. 2

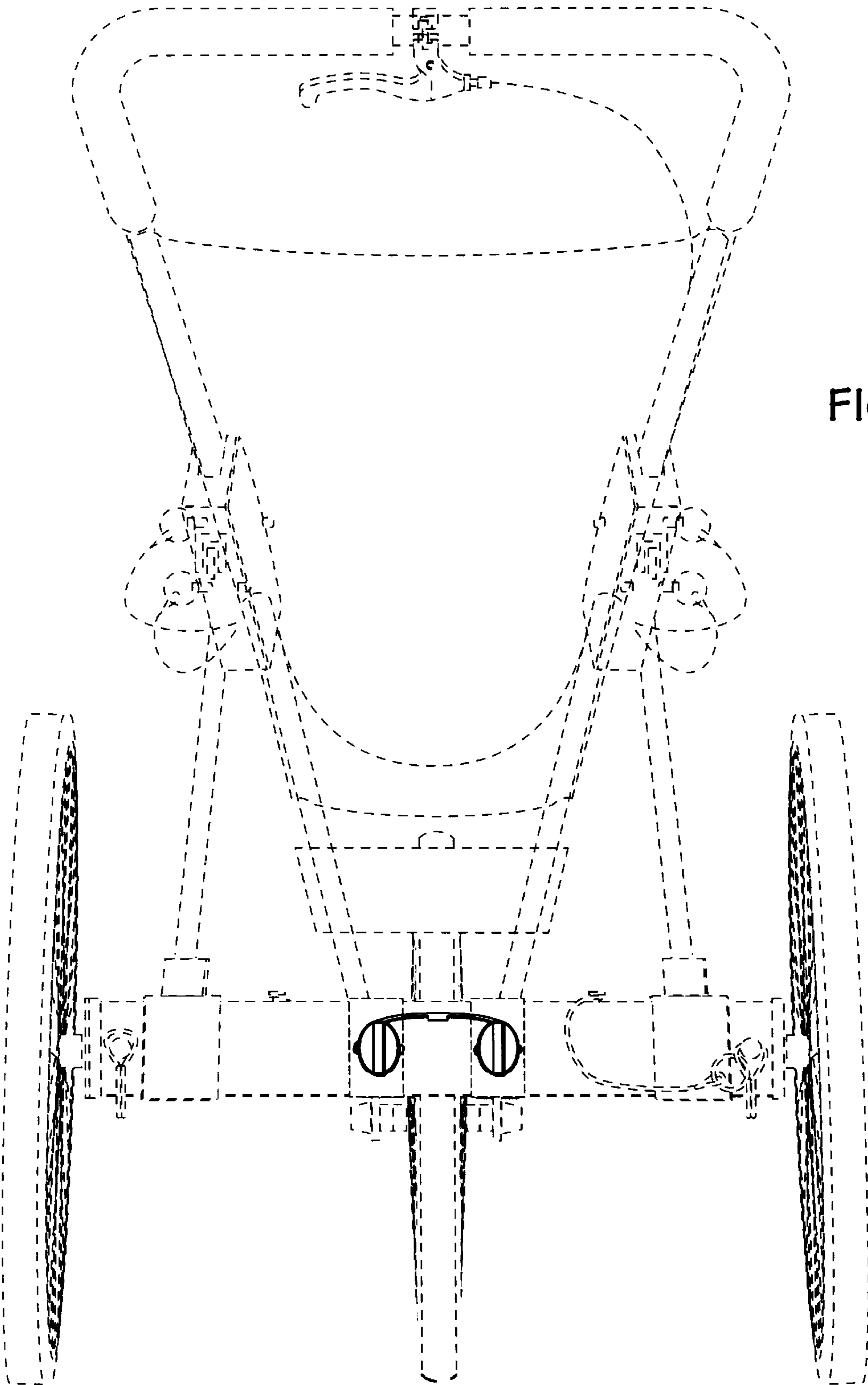


FIG. 3

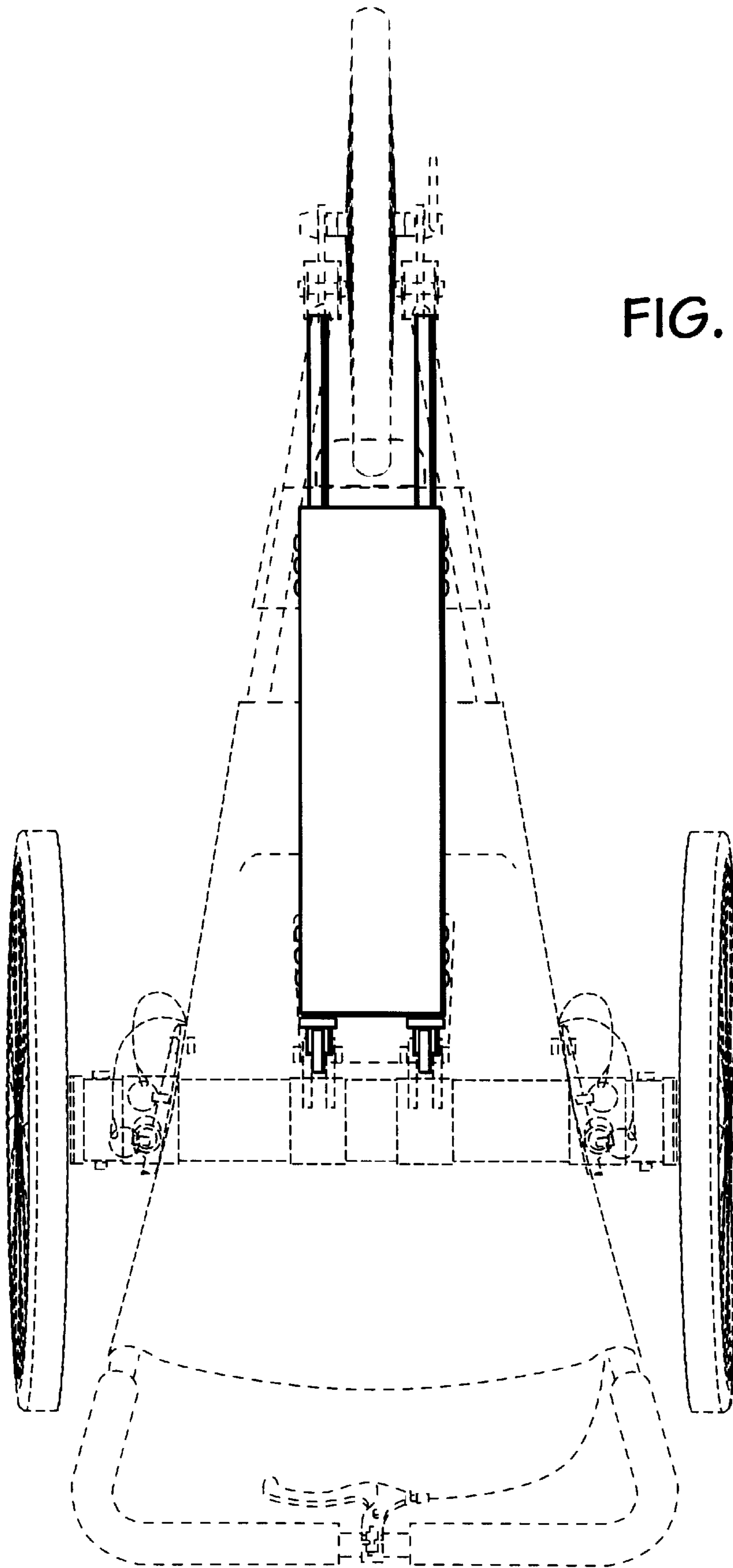
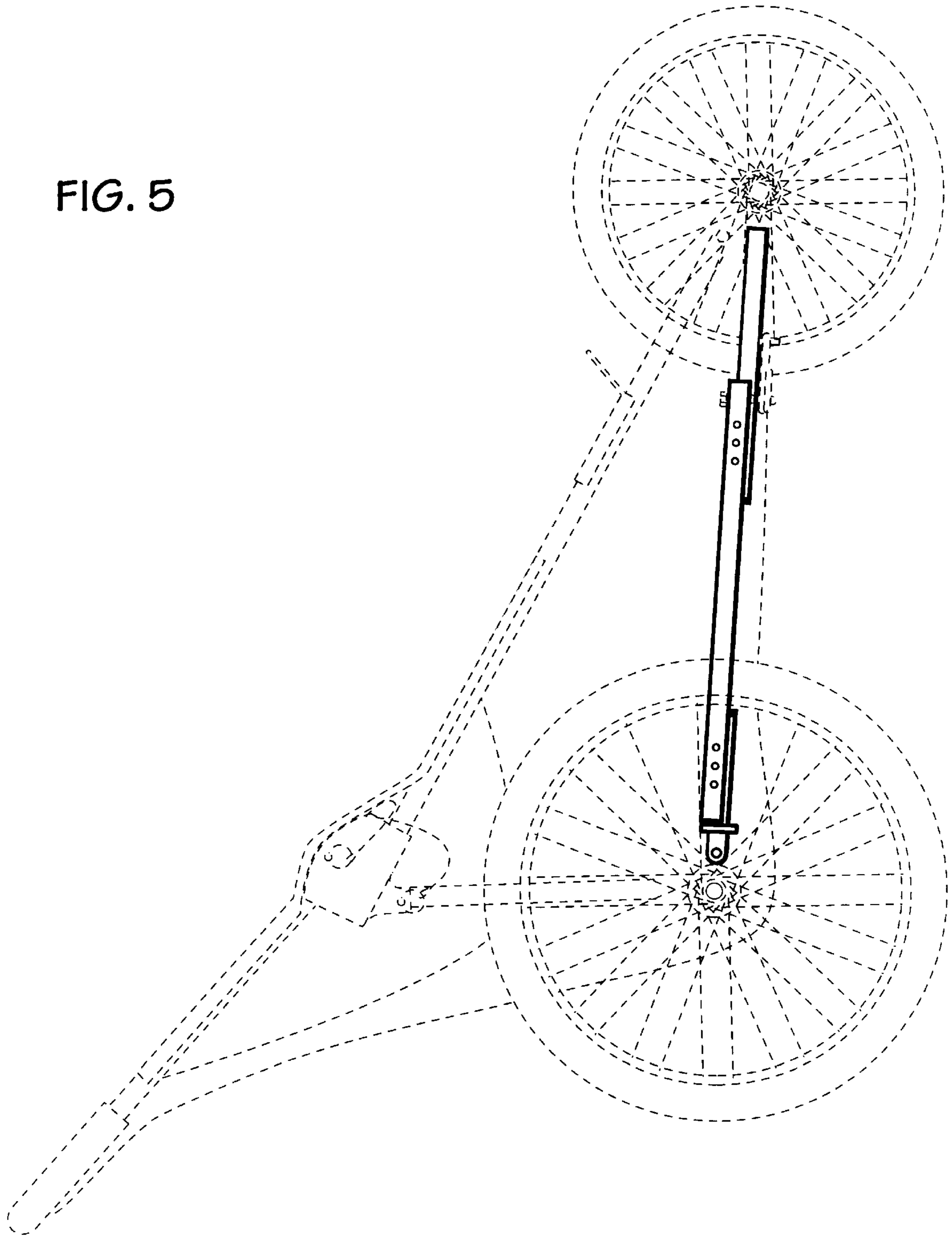


FIG. 4

FIG. 5



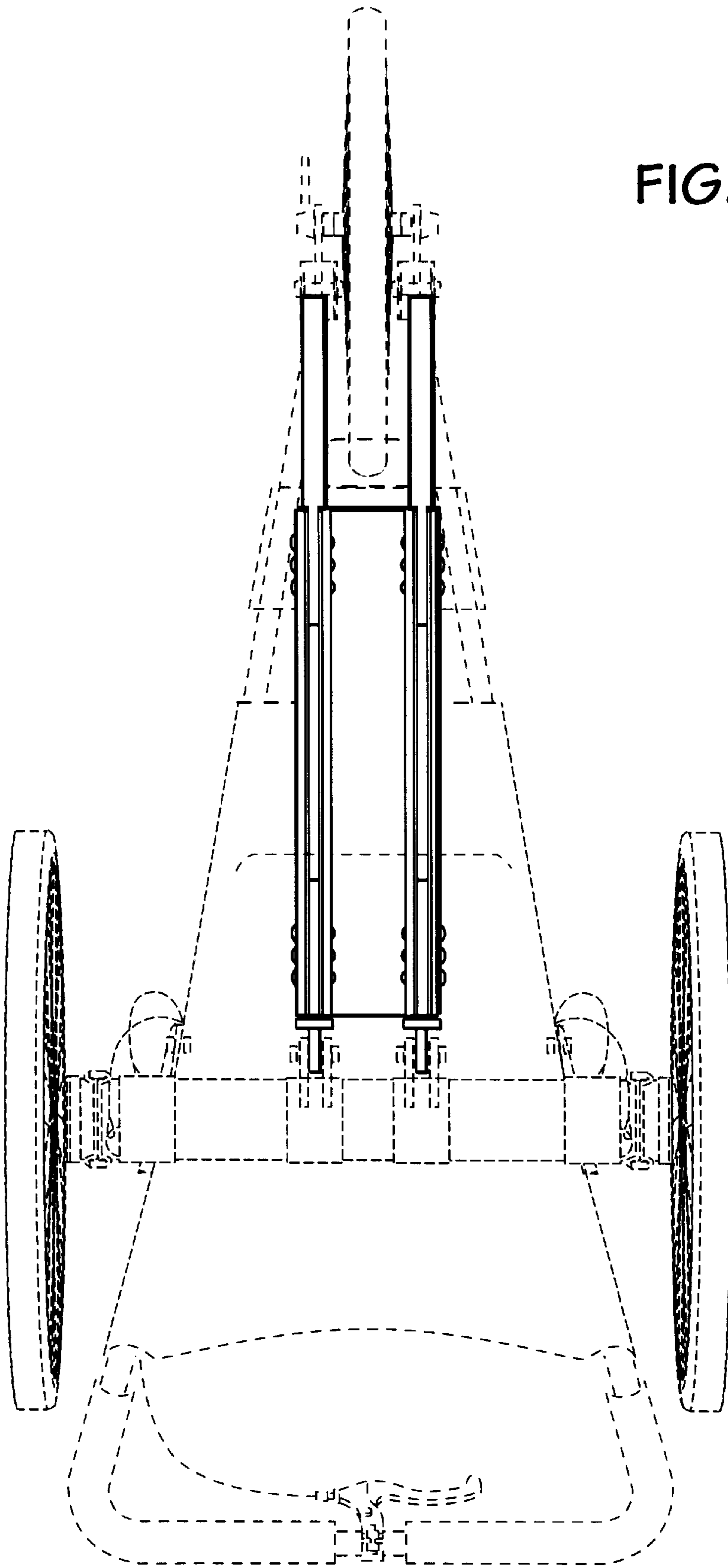


FIG. 6

FIG. 7

