

US00D402596S

United States Patent [19] Liu

[11] **Patent Number: Des. 402,596**

[45] **Date of Patent: **Dec. 15, 1998**

[54] **BABY BICYCLE**

[76] Inventor: **Pao-Yu Liu**, 6F., 218, Tatung Rd., Sec. 3 Shichi Chen, Taipei Hsien, Taiwan

[**] Term: **14 Years**

[21] Appl. No.: **74,136**

[22] Filed: **Jul. 25, 1997**

[51] **LOC (6) Cl.** **12-11**

[52] **U.S. Cl.** **D12/113**

[58] **Field of Search** D12/112, 113;
280/202, 282, 267

[56] **References Cited**

U.S. PATENT DOCUMENTS

D. 279,176	6/1985	Kassai	D12/112
D. 304,813	11/1989	Kelly	D12/113
D. 310,983	10/1990	Goldmeier	D12/112
D. 355,870	2/1995	Dieudonne	D12/112

D. 372,690 8/1996 Nakai D12/113

Primary Examiner—Melody N. Brown
Attorney, Agent, or Firm—Pro-Techtor International Services

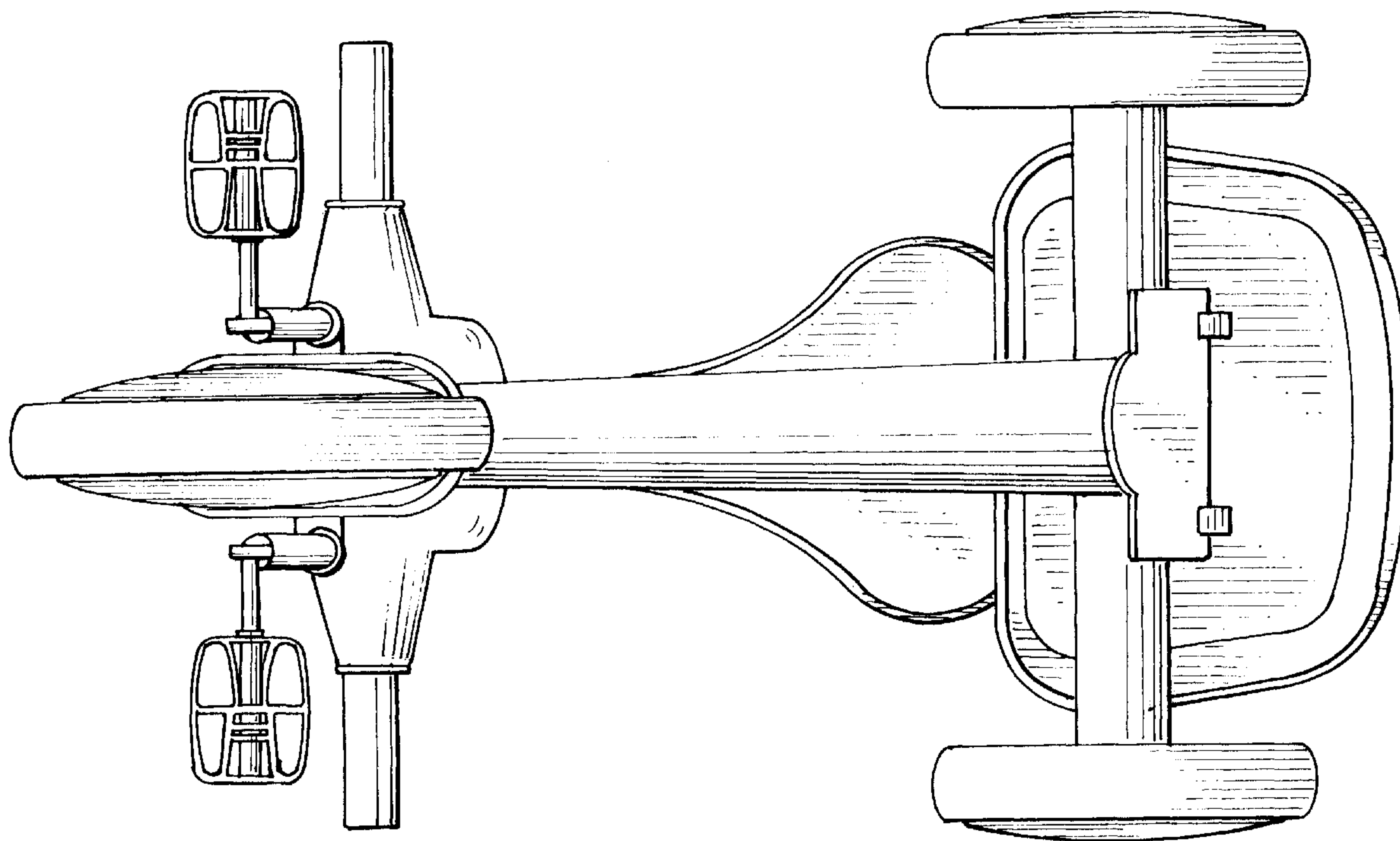
[57] **CLAIM**

The ornamental design for baby bicycle, as shown and described.

DESCRIPTION

FIG. 1 is a perspective view of the baby bicycle, showing my design;
FIG. 2 is a front elevational view thereof;
FIG. 3 is a rear elevational view thereof;
FIG. 4 is a left side elevational view thereof;
FIG. 5 is a right side elevational view thereof;
FIG. 6 is a top plan view thereof; and,
FIG. 7 is a bottom plan view thereof;

1 Claim, 7 Drawing Sheets



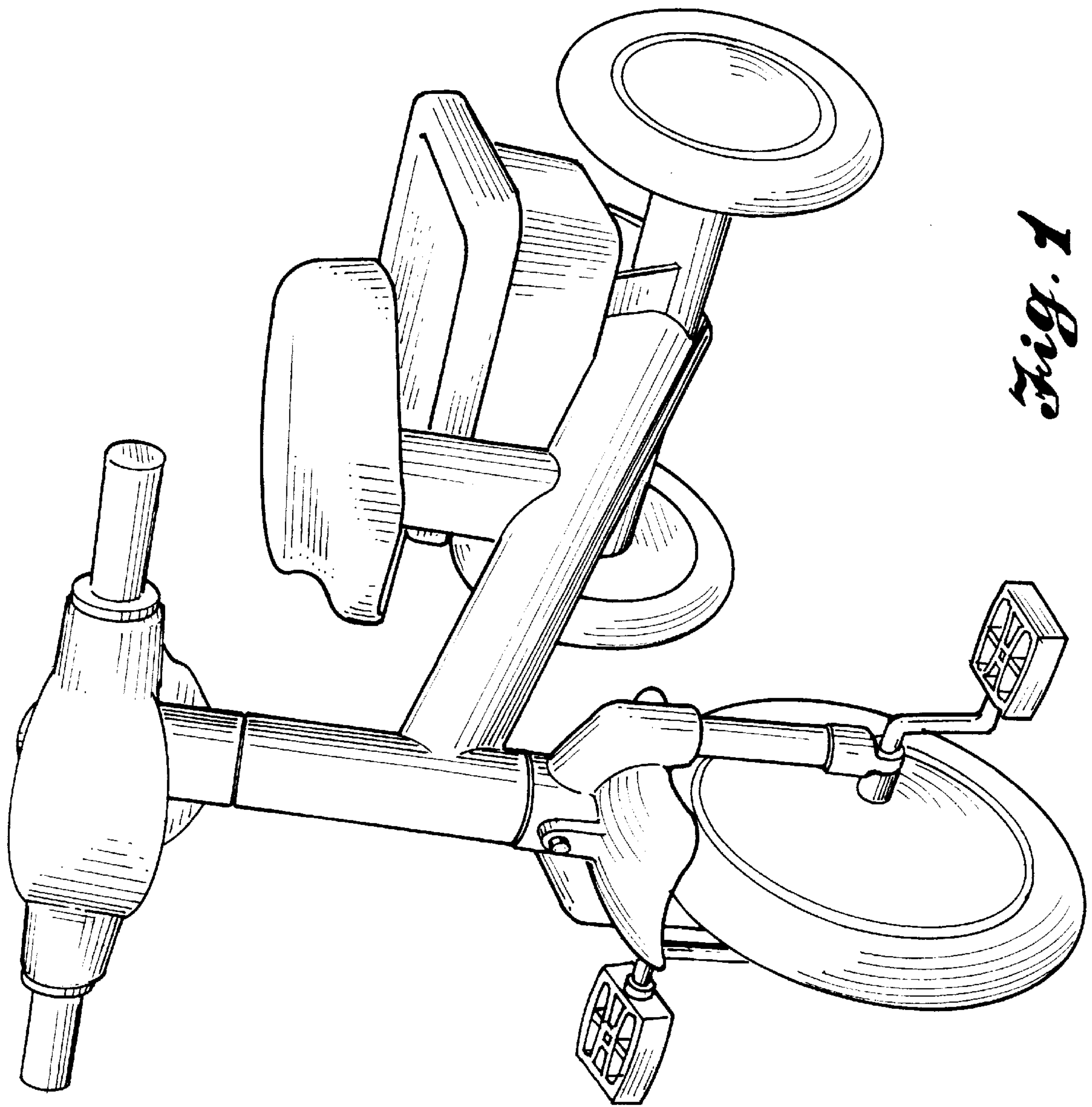


Fig. 1

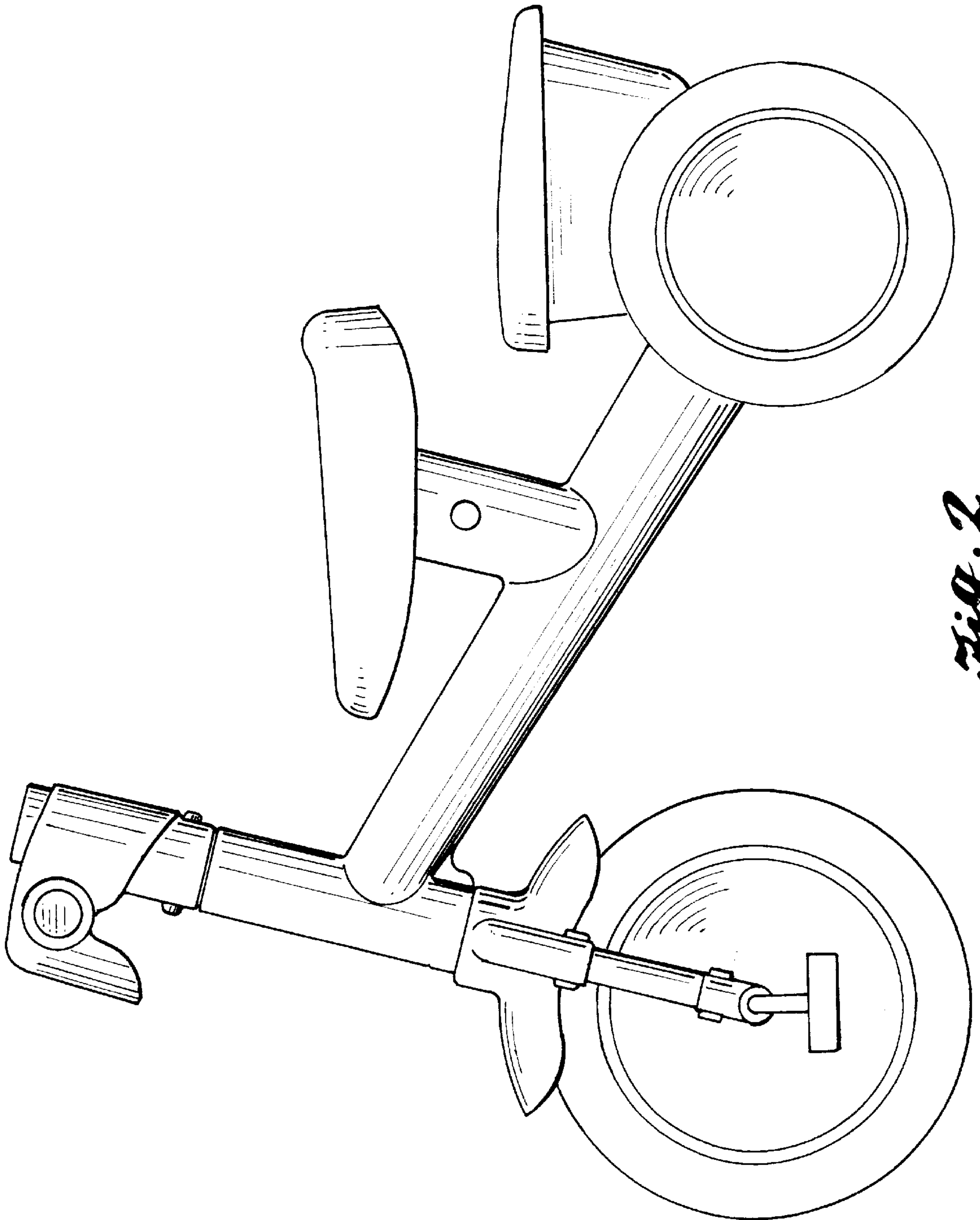


Fig. 2

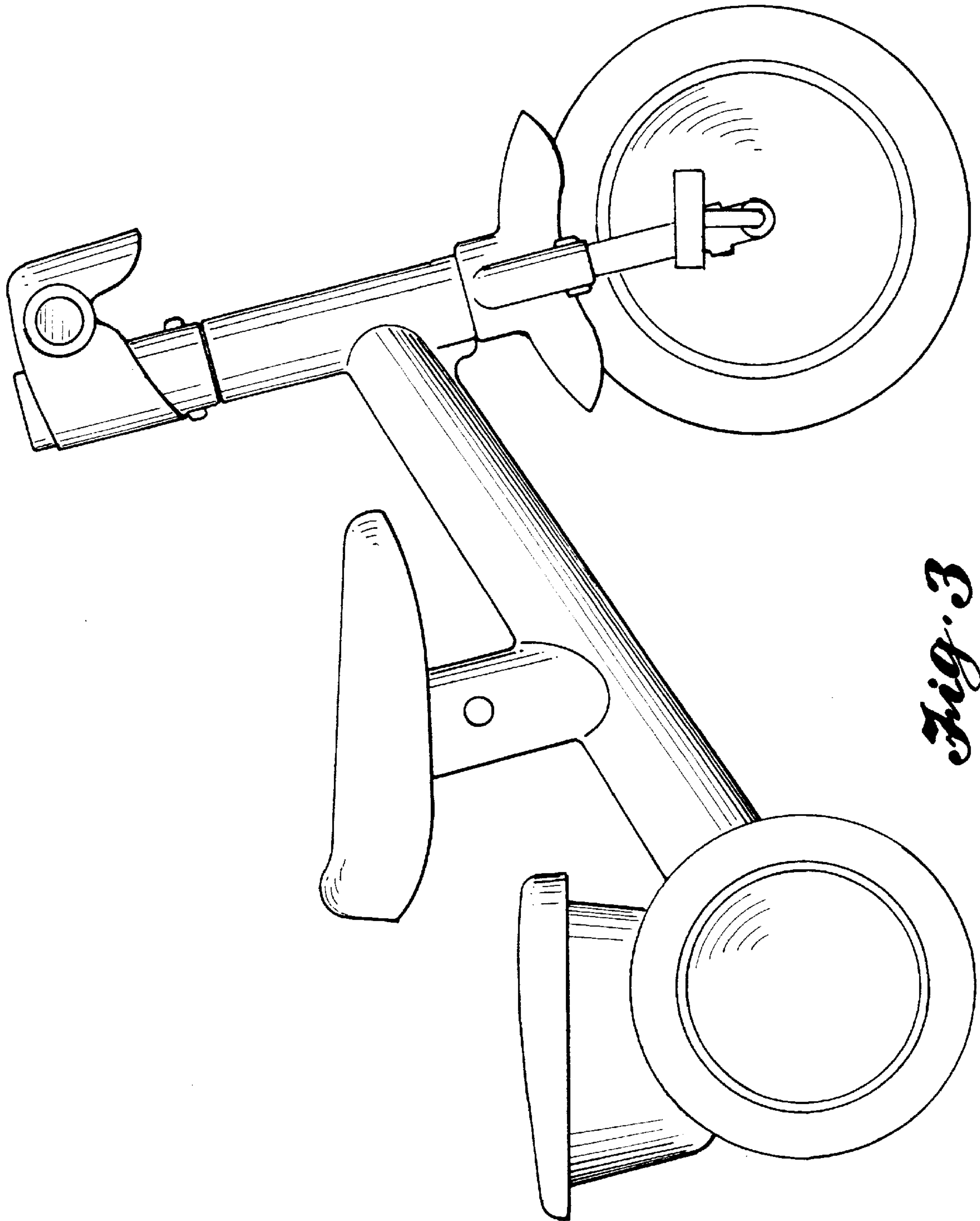


Fig. 3

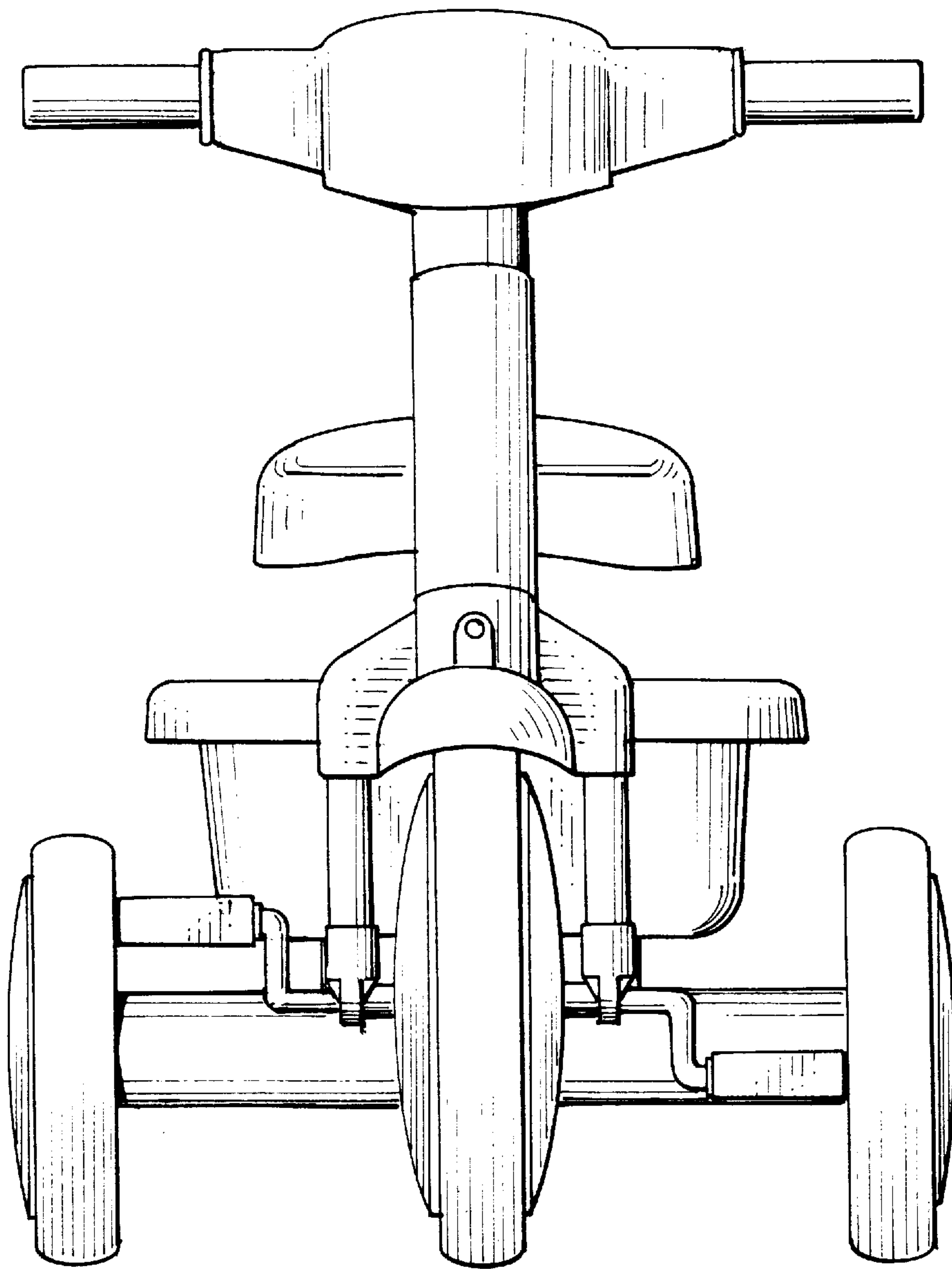


Fig. 4

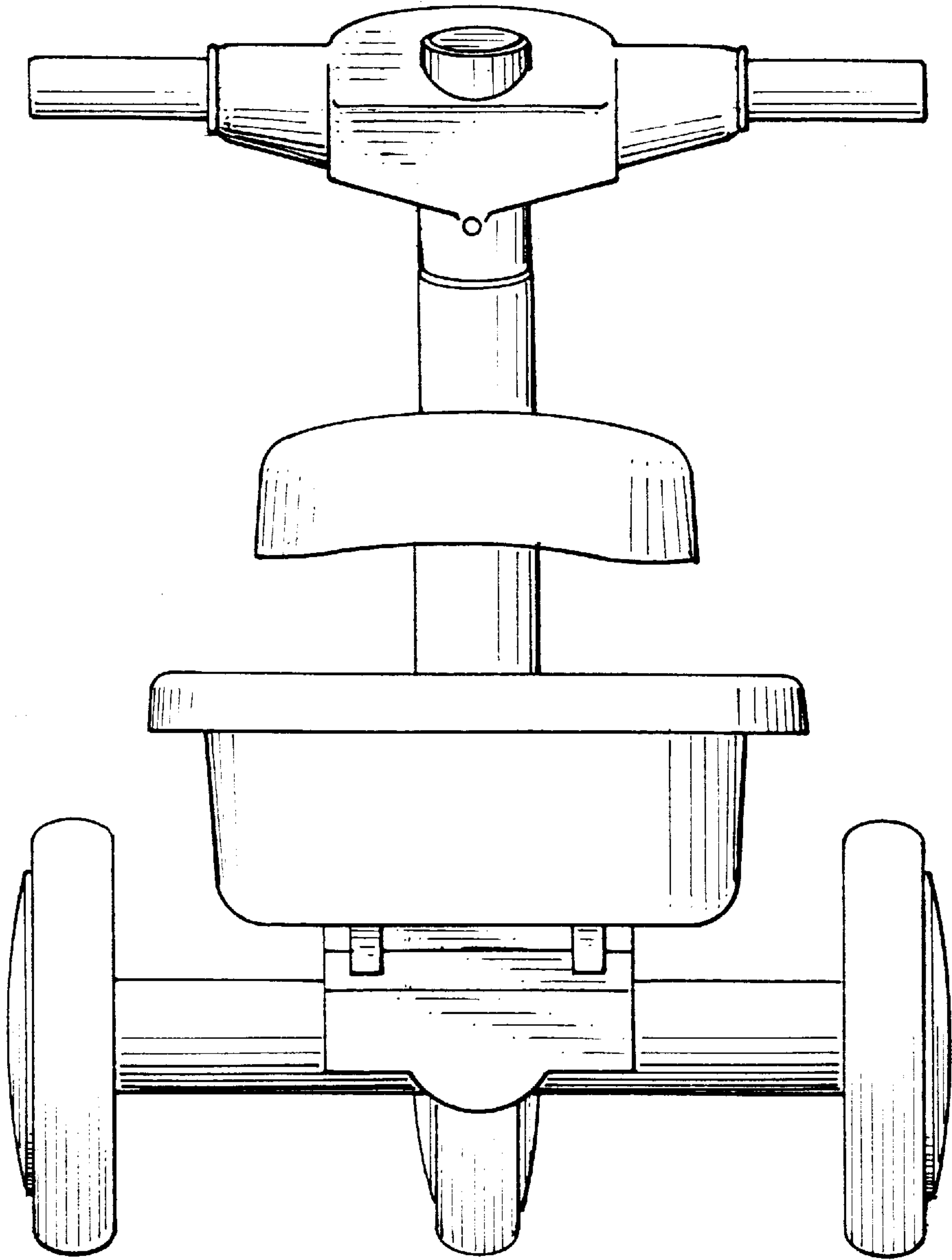


Fig. 5

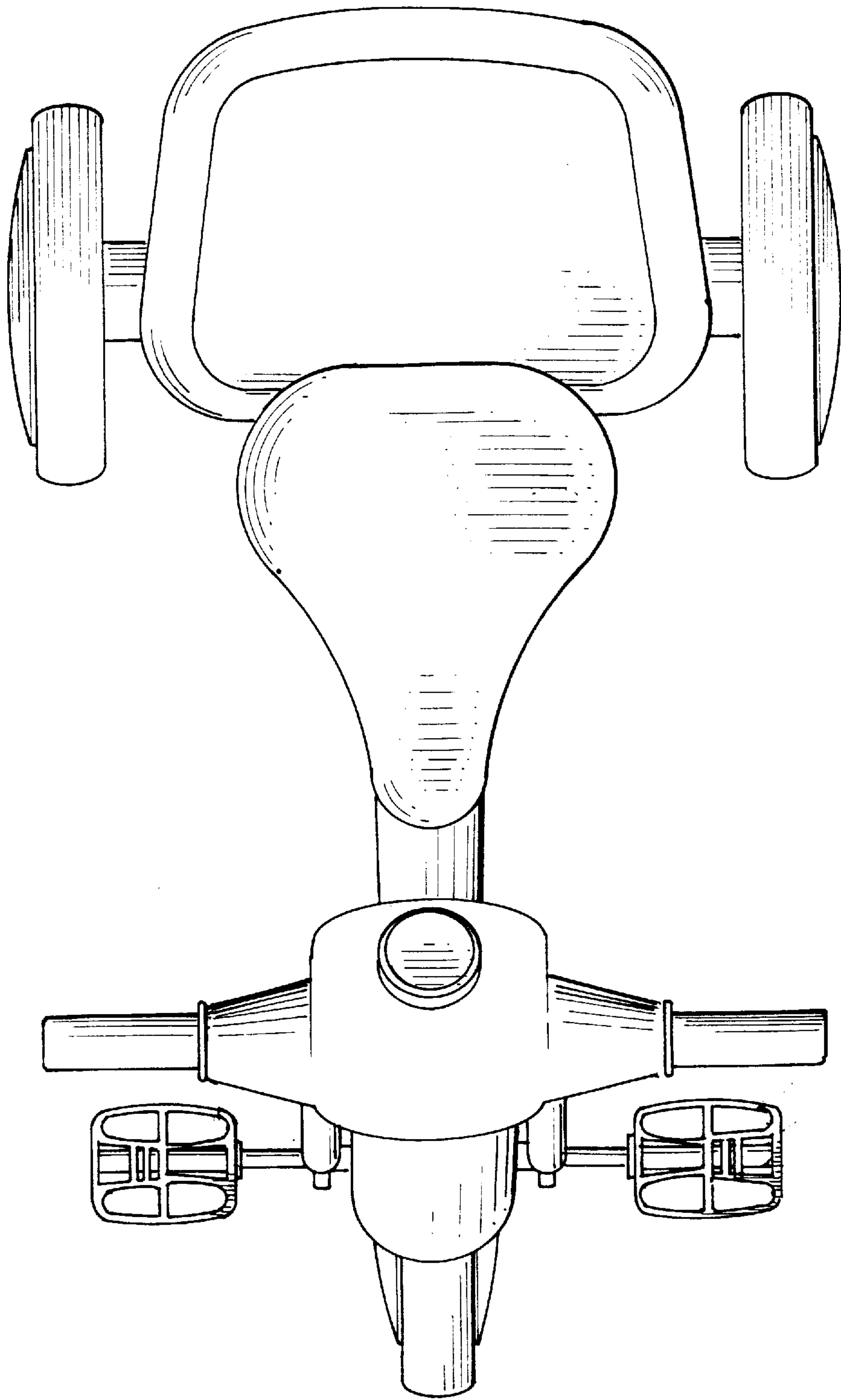


Fig. 6

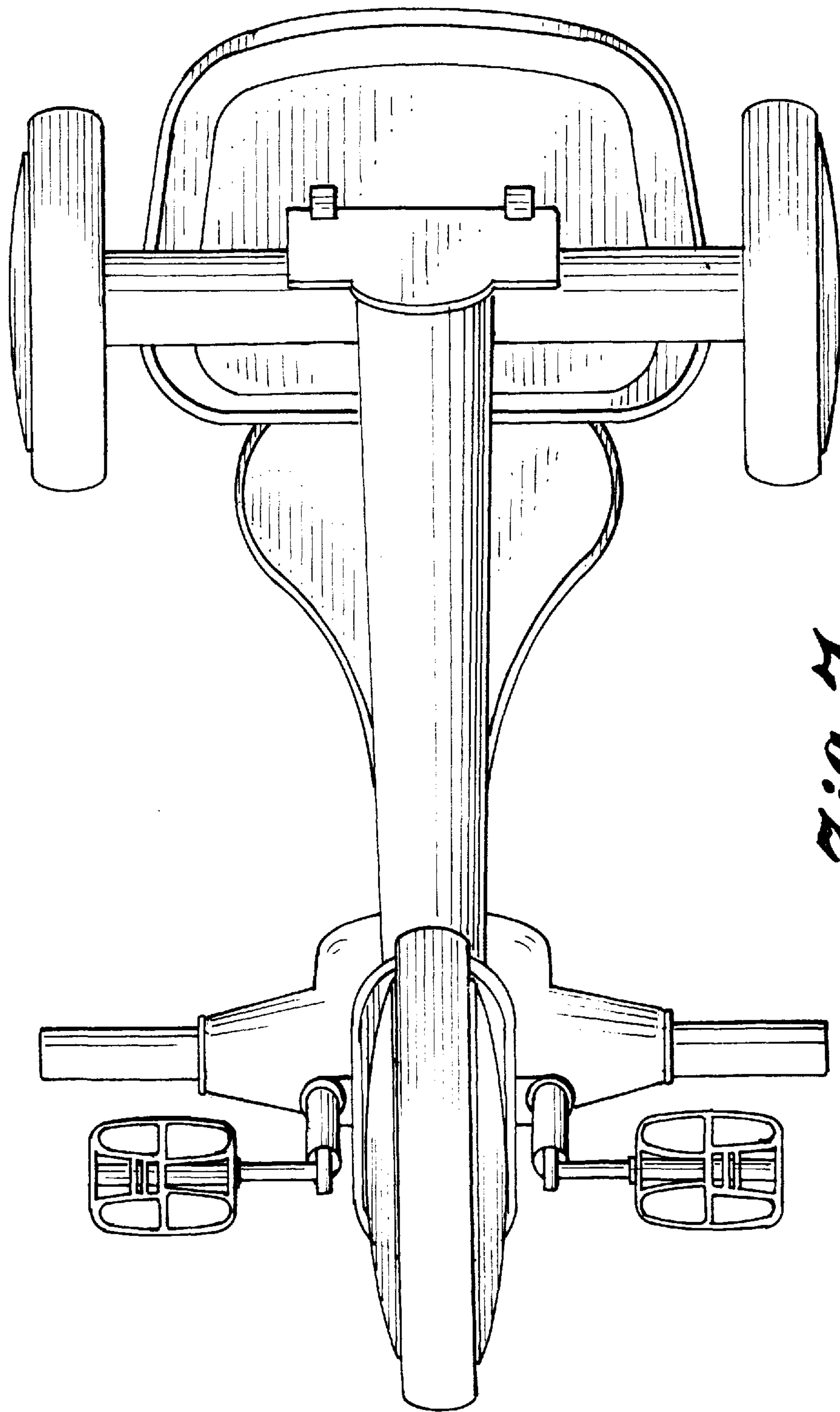


Fig. 7