



US00D402595S

United States Patent [19]

Tamura et al.

[11] Patent Number: **Des. 402,595**

[45] Date of Patent: ****Dec. 15, 1998**

[54] **AUTOMOBILE**

[75] Inventors: **Gen Tamura; Toshihiko Shimizu**, both of Wako, Japan

[73] Assignee: **Honda Giken Kogyo Kabushiki Kaisha**, Tokyo, Japan

[**] Term: **14 Years**

[21] Appl. No.: **79,429**

[22] Filed: **Nov. 17, 1997**

[30] Foreign Application Priority Data

Jun. 20, 1997 [JP] Japan 9-58780

[51] **LOC (6) Cl.** **12-08**

[52] **U.S. Cl.** **D12/92**

[58] **Field of Search** D12/90-92; 296/185

[56] References Cited

U.S. PATENT DOCUMENTS

D. 309,882 8/1990 Imaki et al. D12/92

D. 334,357 3/1993 Hirata et al. D12/92

| | | | | |
|------------|---------|-----------------|-------|--------|
| D. 334,907 | 4/1993 | Boyer | | D12/92 |
| D. 347,806 | 6/1994 | Kurosu et al. | | D12/92 |
| D. 351,367 | 10/1994 | Koman et al. | | D12/92 |
| D. 373,334 | 9/1996 | Honda et al. | | D12/92 |
| D. 379,947 | 6/1997 | Ichinose et al. | | D12/92 |

Primary Examiner—Melody N. Brown
Attorney, Agent, or Firm—Nikaido, Marmelstein, Murray & Oram LLP

[57] CLAIM

The ornamental design for an automobile, as shown and described.

DESCRIPTION

FIG. 1 is a left-front perspective view of an automobile showing our new design; FIG. 2 is a left-rear perspective view thereof; FIG. 3 is a left side view thereof; FIG. 4 is a right side view thereof; FIG. 5 is a front view thereof; FIG. 6 is a rear view thereof; and, FIG. 7 is a top plan view thereof.

1 Claim, 6 Drawing Sheets

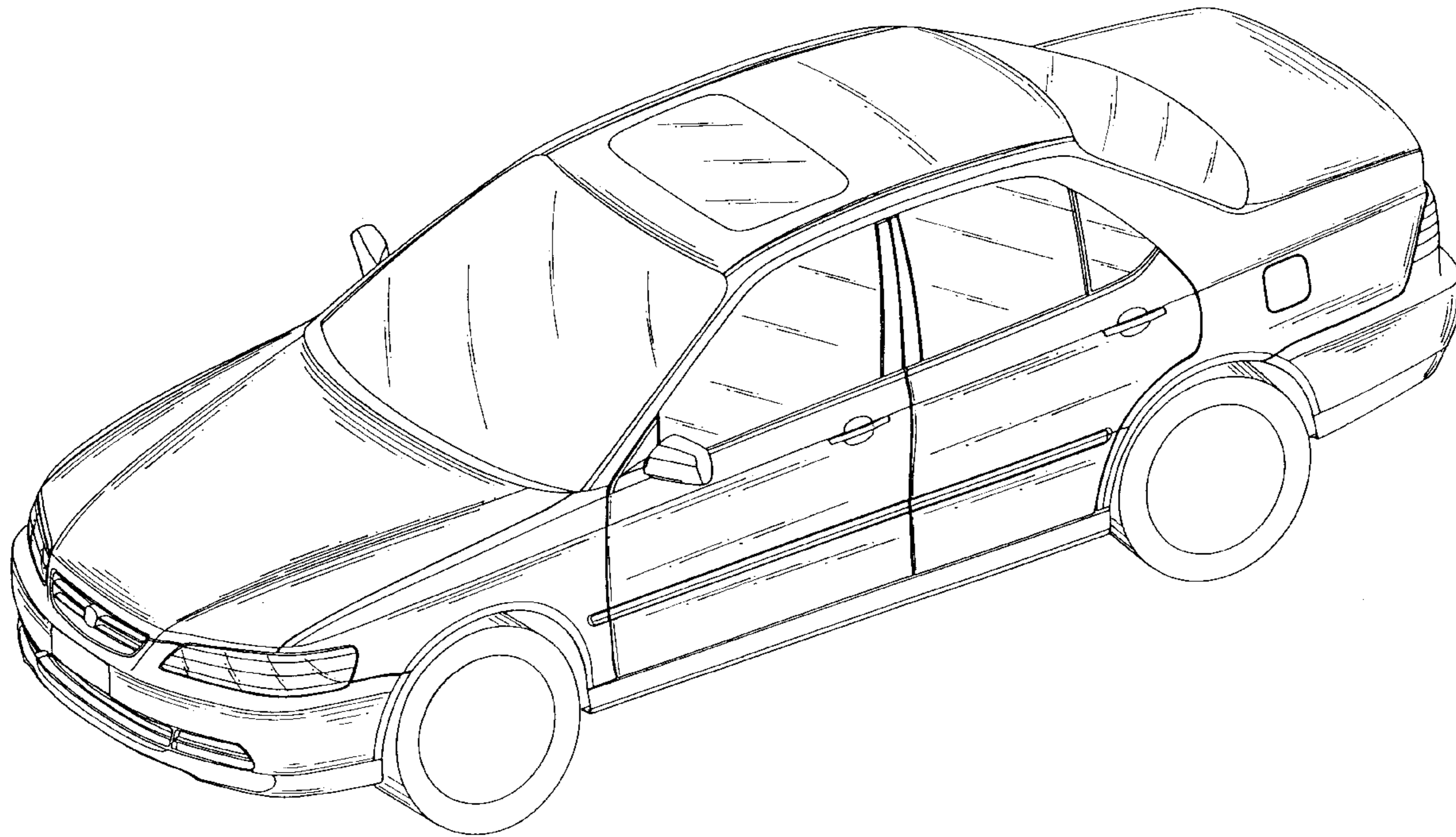


FIG. 1

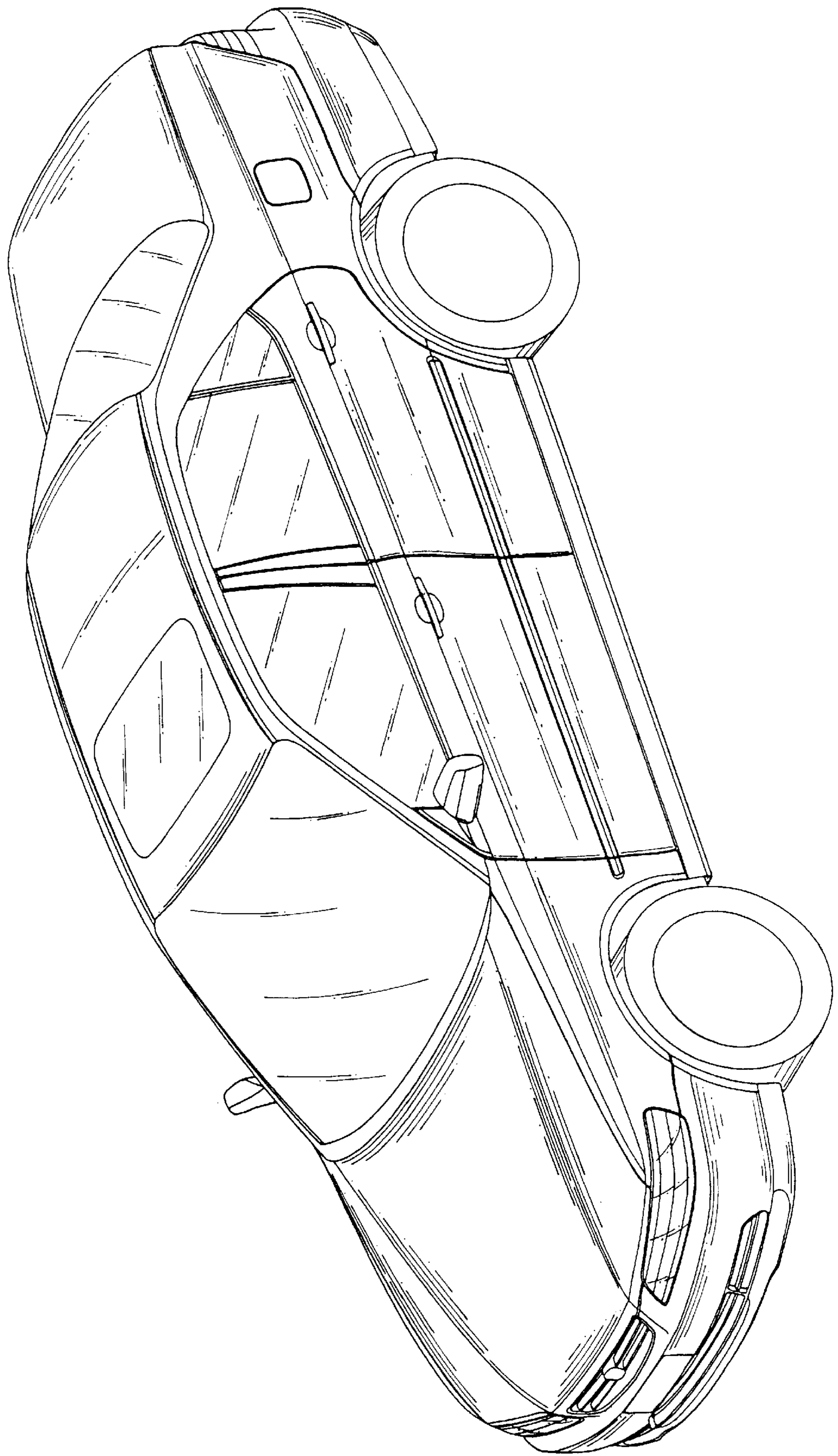


FIG. 2

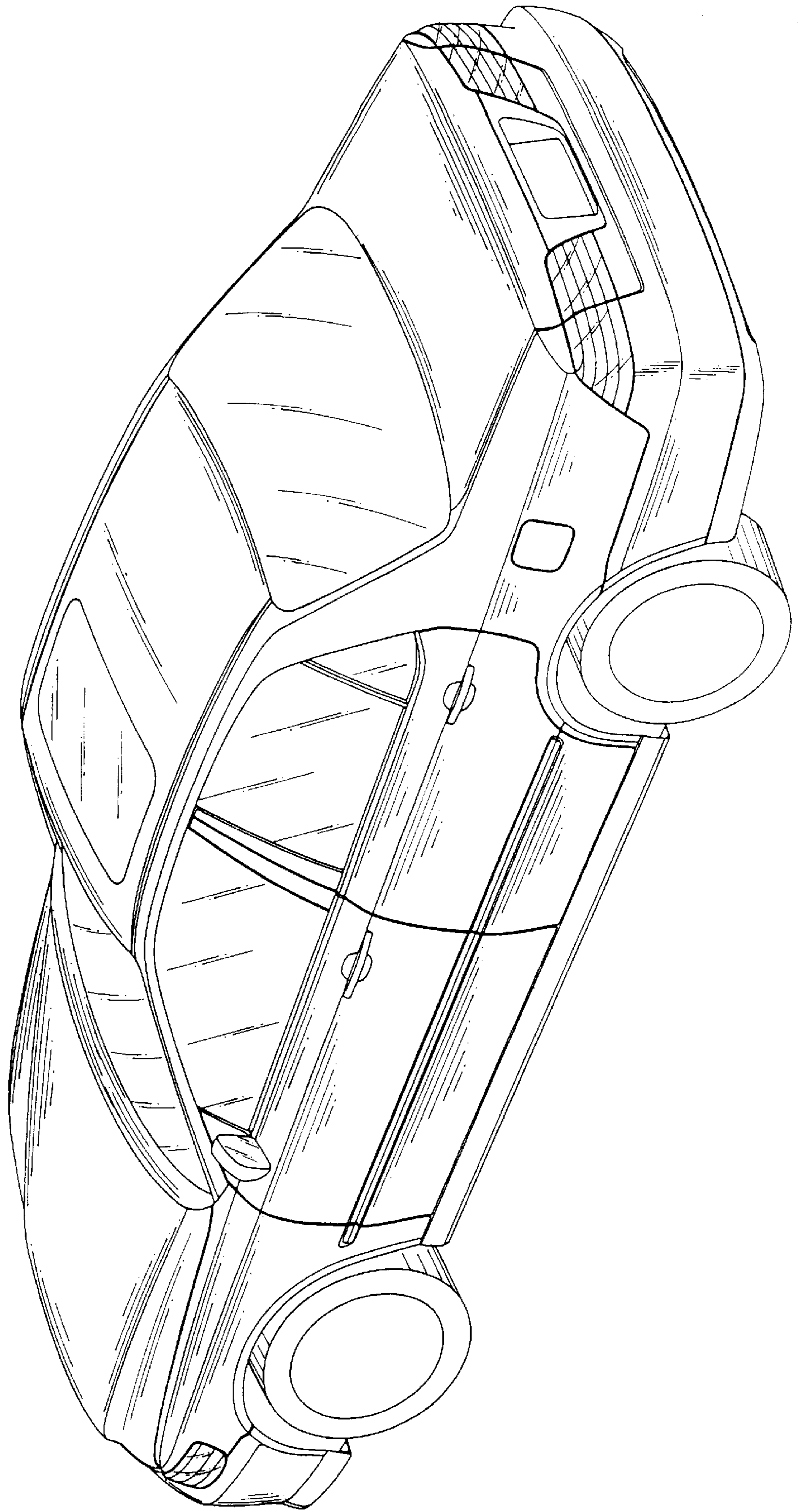


FIG. 3

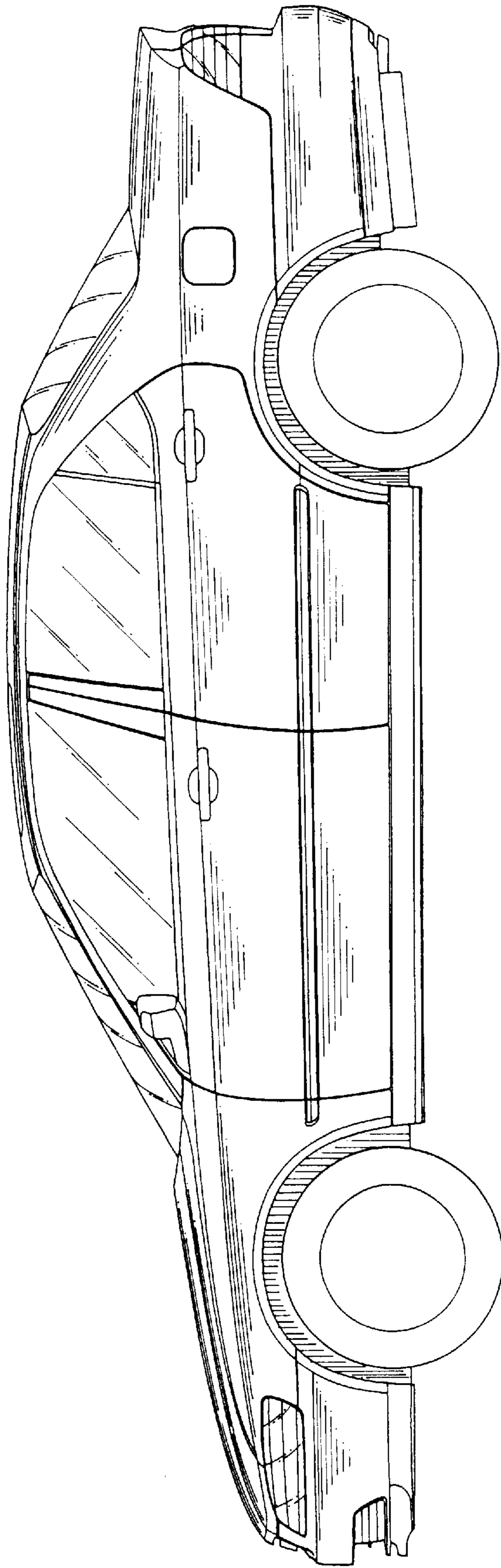


FIG. 4

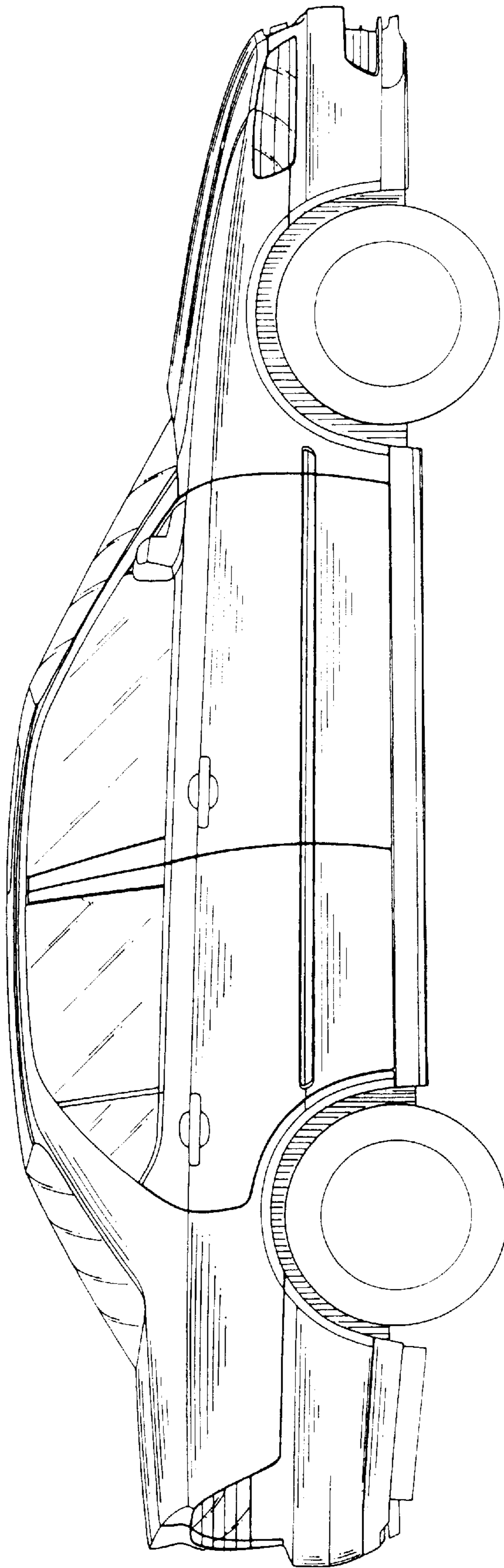


FIG. 6

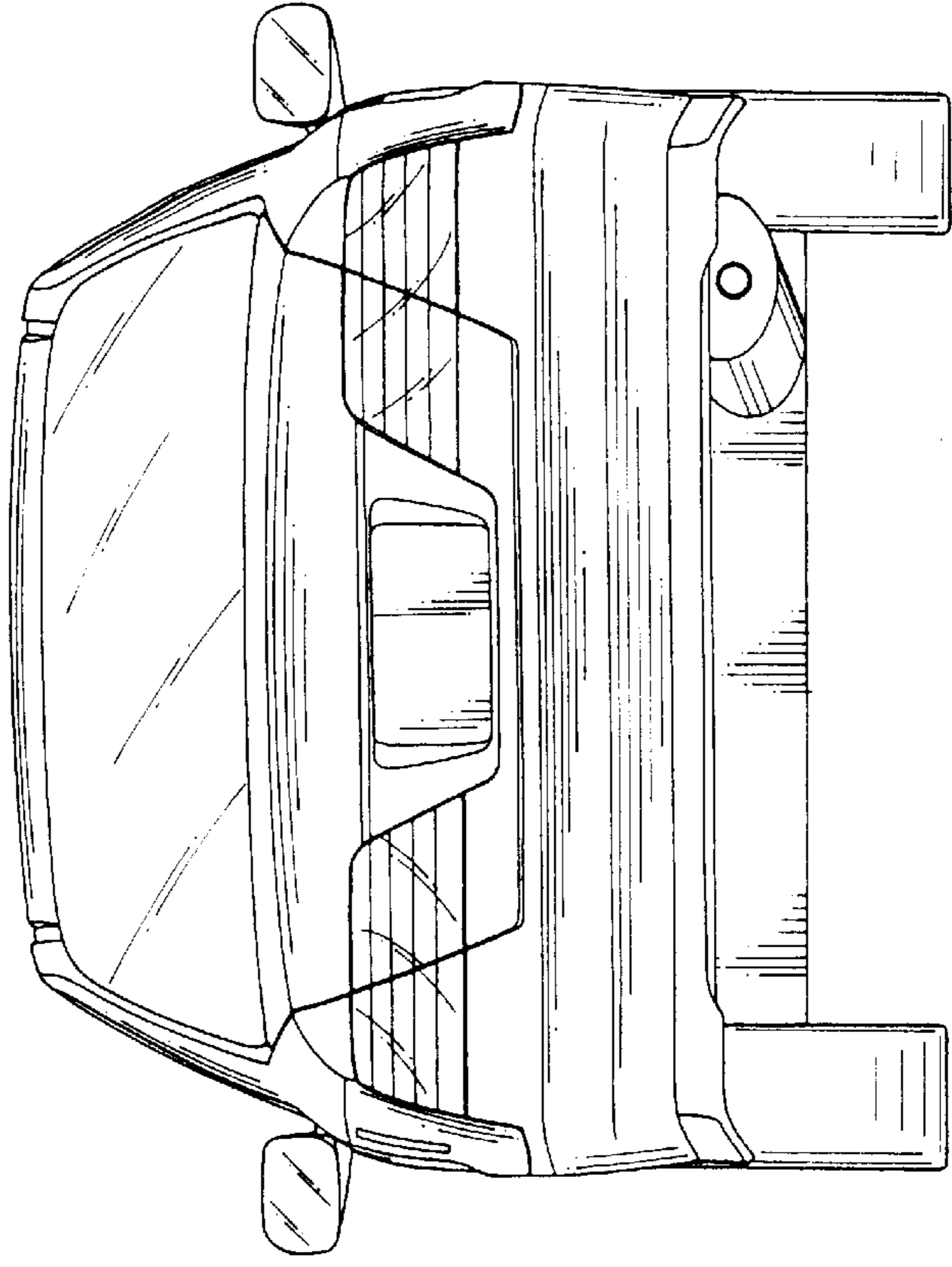


FIG. 5

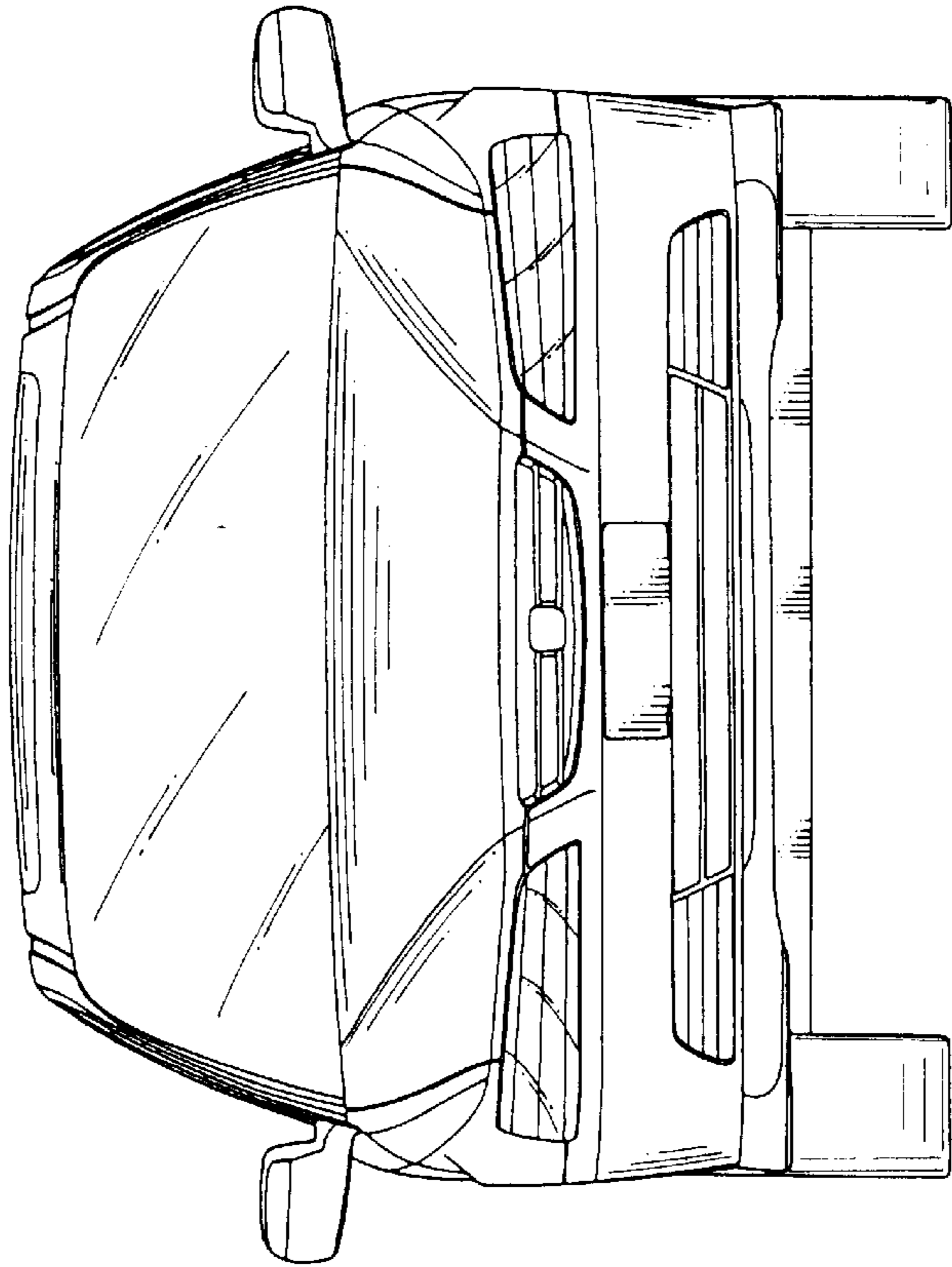


FIG. 7

