



US00D402577S

# United States Patent [19]

Payne et al.

[11] Patent Number: **Des. 402,577**

[45] Date of Patent: **\*\*Dec. 15, 1998**

[54] **WARNING LIGHT**

[75] Inventors: **Stephen R. Payne**, St. Albans, Vt.;  
**Scott P. Mangan**, Newington, Conn.

[73] Assignee: **Whelen Engineering Company, Inc.**,  
Chester, Conn.

[\*\*] Term: **14 Years**

[21] Appl. No.: **83,055**

[22] Filed: **Feb. 4, 1998**

[51] **LOC (6) Cl.** ..... **10-05**

[52] **U.S. Cl.** ..... **D10/114; D10/114**

[58] **Field of Search** ..... D10/104, 109,  
D10/111, 114, 115, 121; 362/310, 311,  
312, 362, 363, 365, 367; D26/28-35

[56] **References Cited**

**U.S. PATENT DOCUMENTS**

D. 191,681	10/1961	Chase	.....	D10/114
D. 201,655	7/1965	Gibson	.....	D10/114
D. 228,571	10/1973	Burland	.....	D10/114
D. 239,517	4/1976	Lowndes	.....	D10/114

D. 239,730	4/1976	Thomas	.....	D10/114
D. 286,989	12/1986	Akiyama et al.	.....	D10/114
D. 326,237	5/1992	Gale et al.	.....	D10/114
D. 330,687	11/1992	Stanuch	.....	D10/114
D. 379,939	6/1997	Hurtak et al.	.....	D10/114
2,753,442	7/1956	Wiswell	.....	D10/114
5,103,383	4/1992	Mayhew	.....	D10/114

*Primary Examiner*—Marcus A. Jackson  
*Attorney, Agent, or Firm*—Alix, Yale & Ristas, LLP

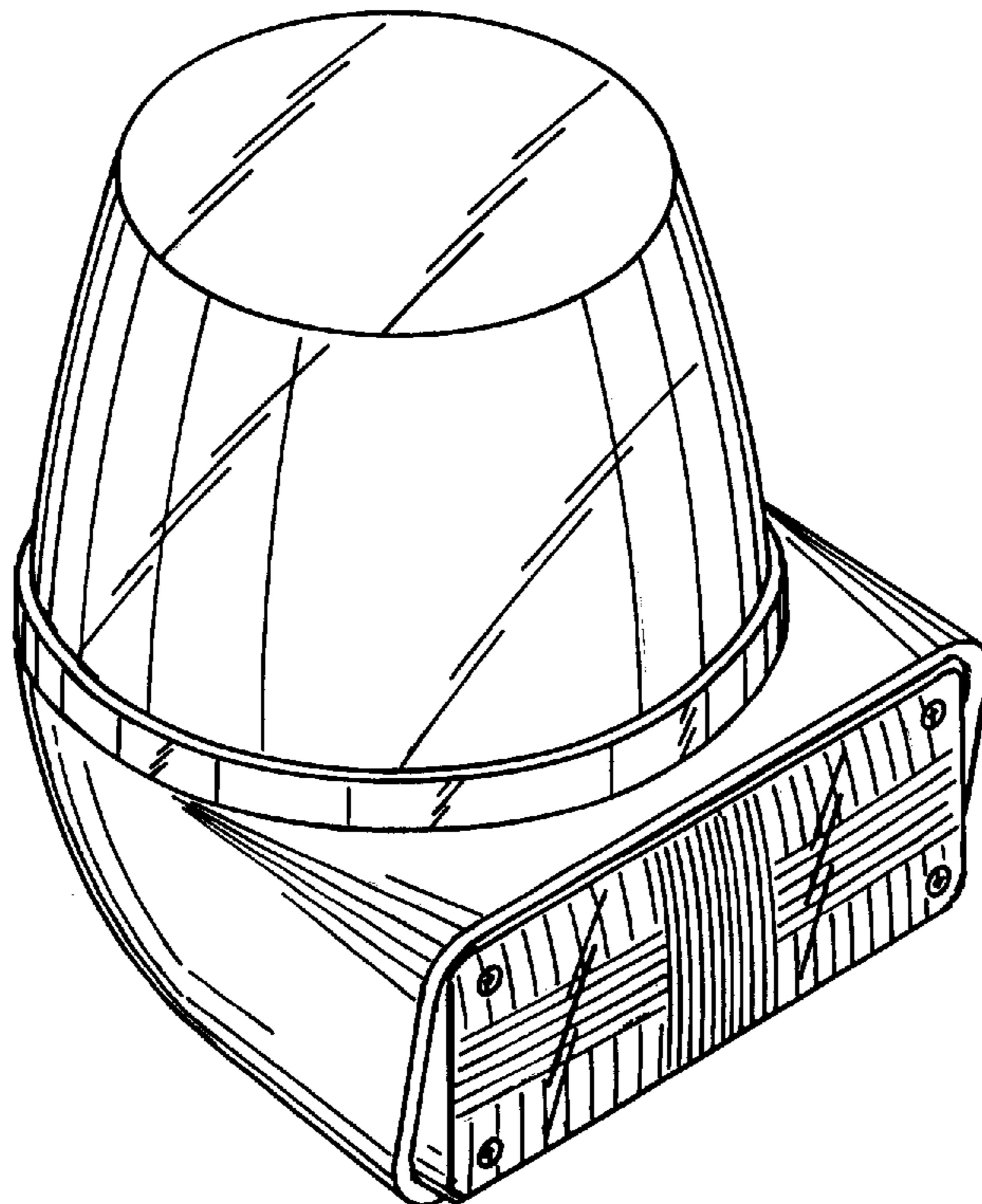
[57] **CLAIM**

The ornamental desing for a warning light, as shown and described.

**DESCRIPTION**

FIG. 1 is a front elevational view of a warning light in accordance with our invention;  
FIG. 2 is a top view thereof;  
FIG. 3 is a side elevational view thereof, the warning light appearing the same from the opposite side;  
FIG. 4 is a bottom view thereof;  
FIG. 5 is a rear view thereof; and,  
FIG. 6 is a perspective view, on a reduced scale, of a warning light in accordance with our invention.

**1 Claim, 6 Drawing Sheets**



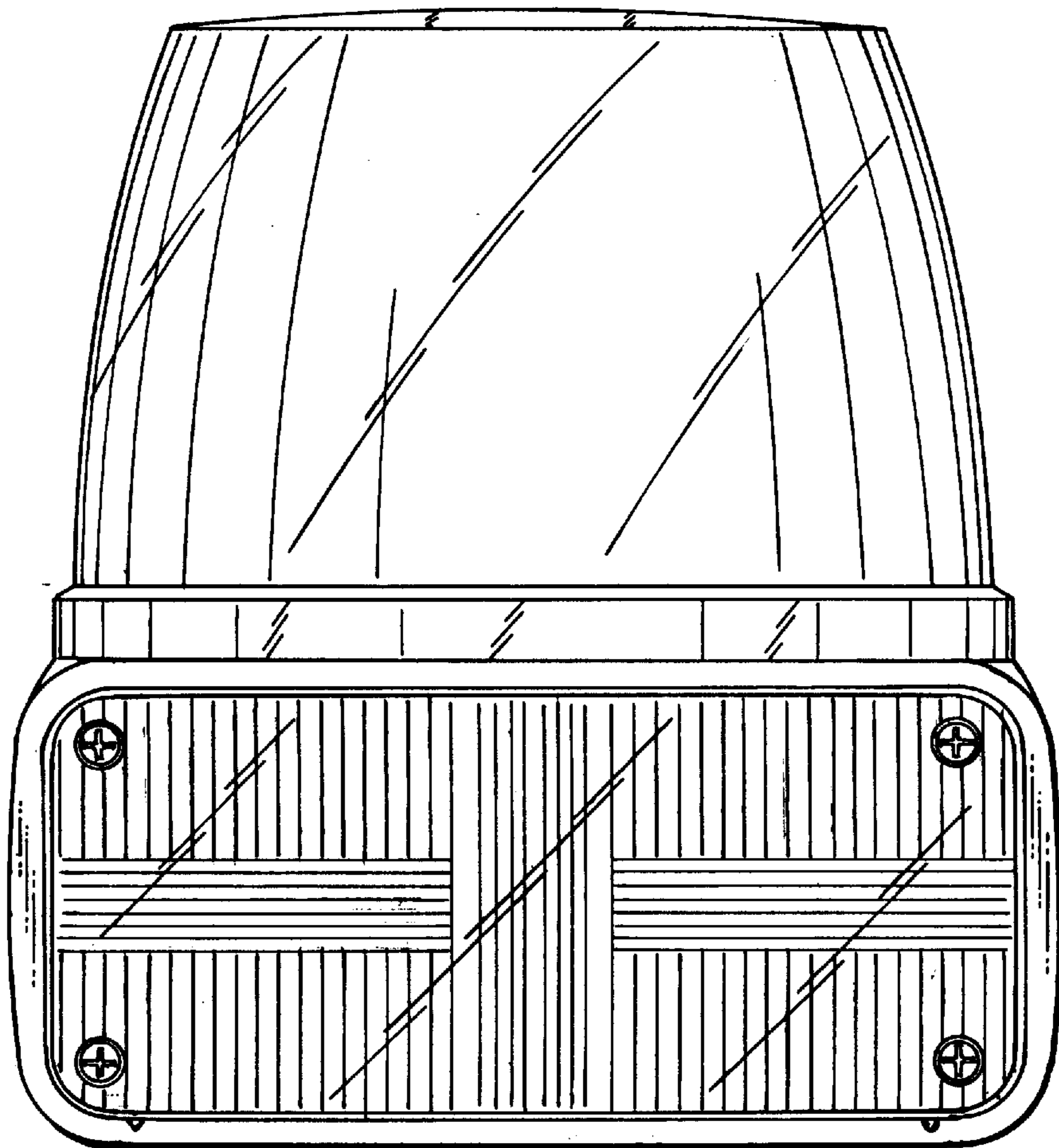


FIG. 1

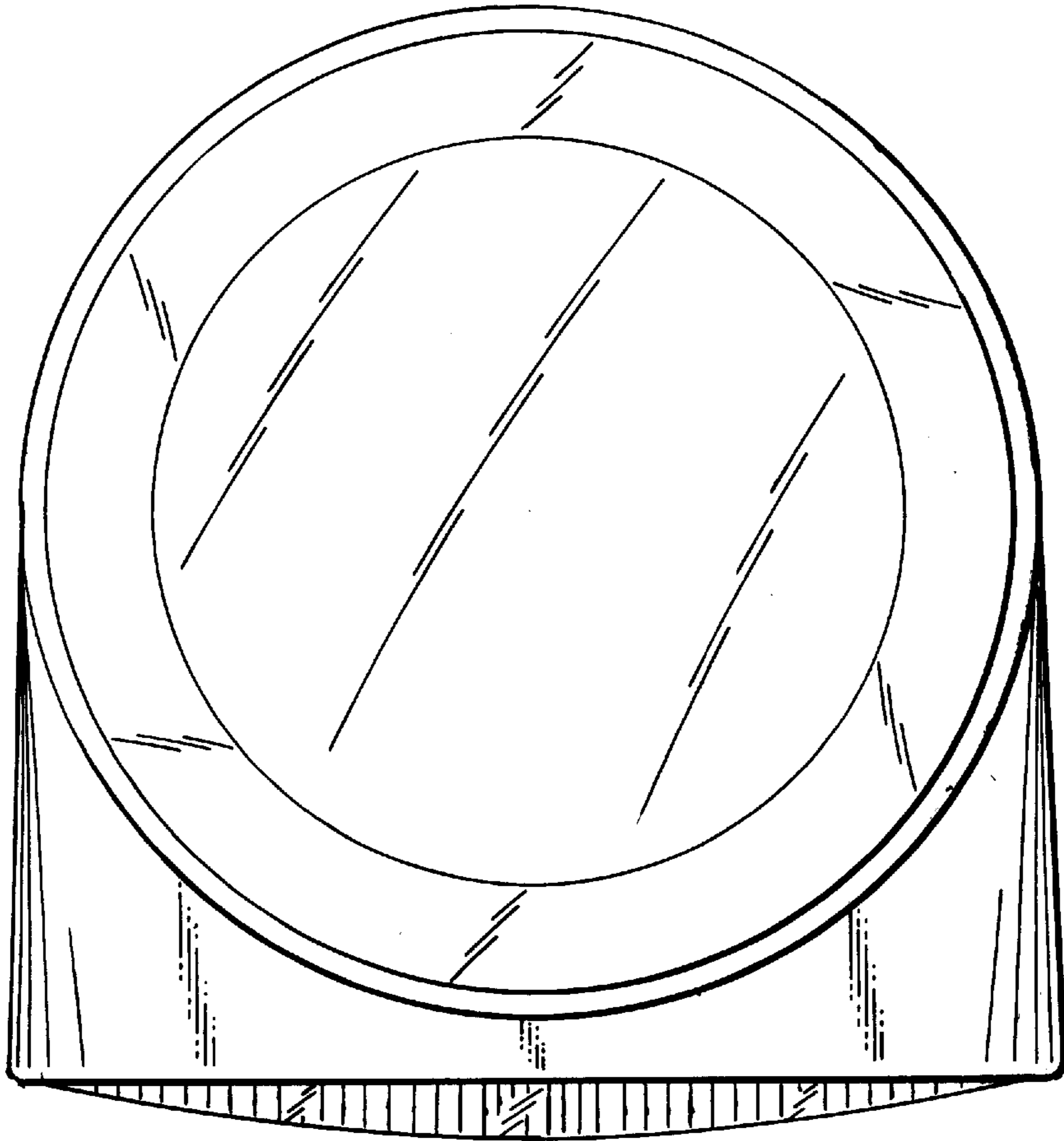


FIG. 2

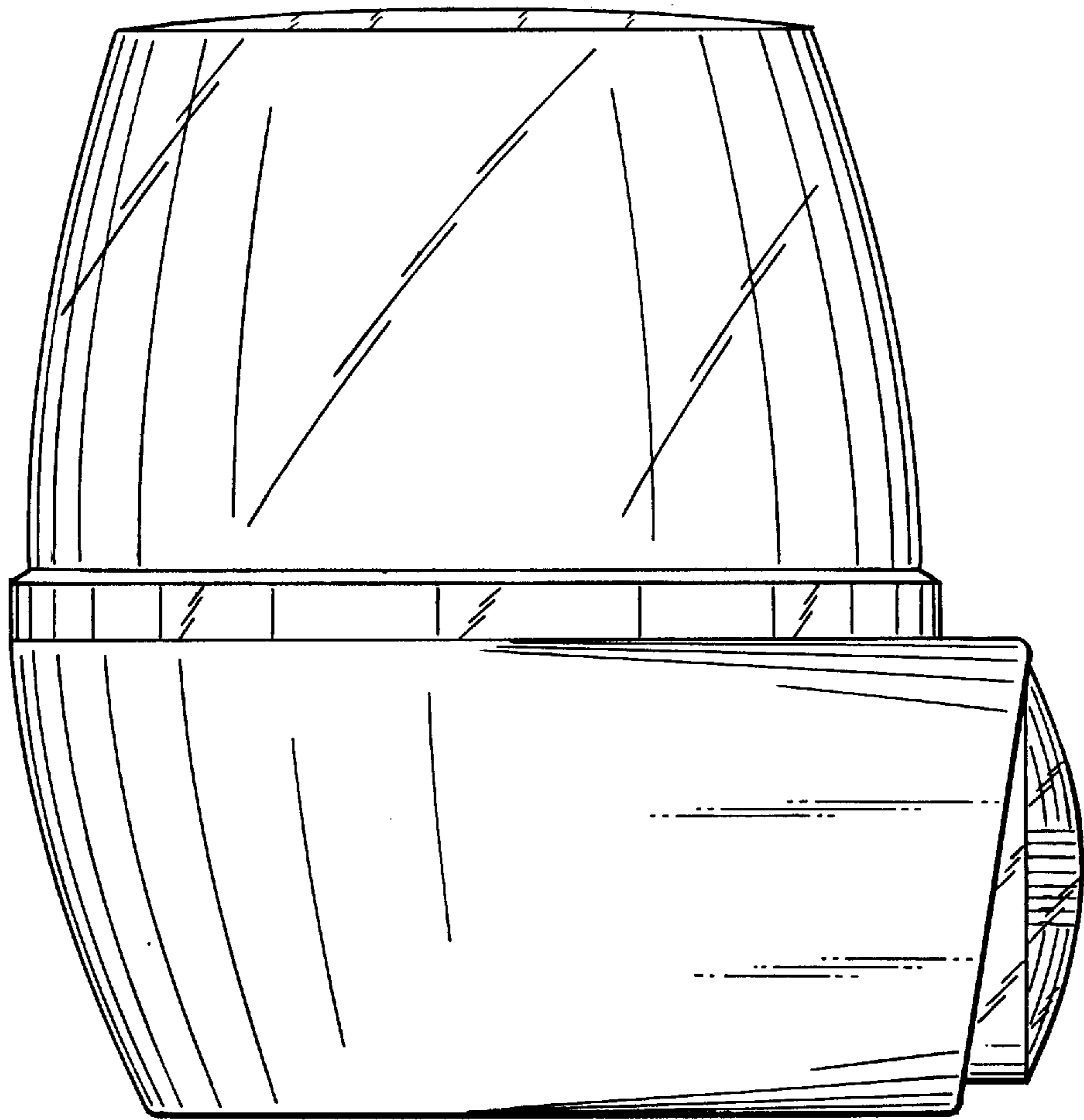


FIG. 3

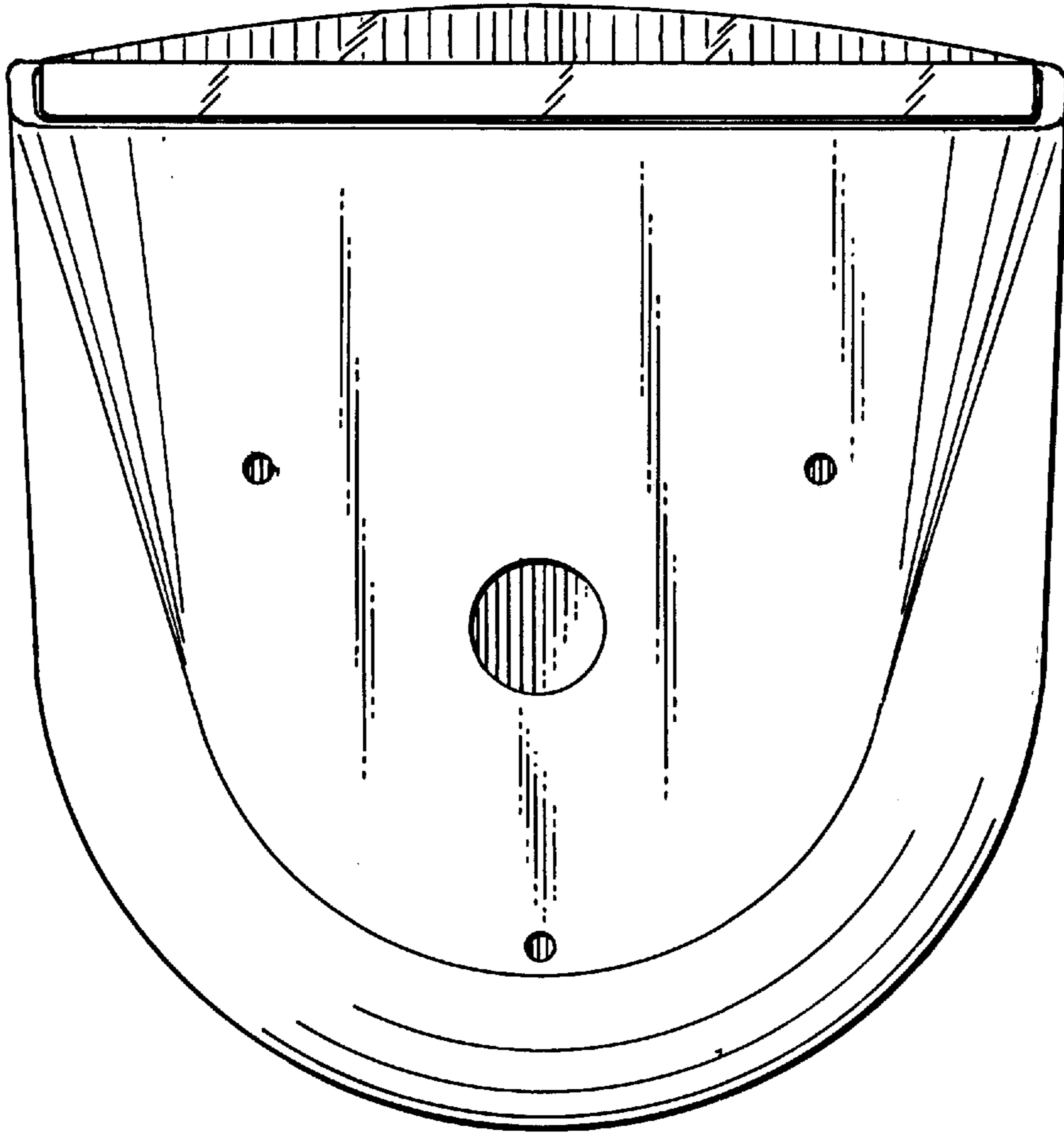


FIG. 4

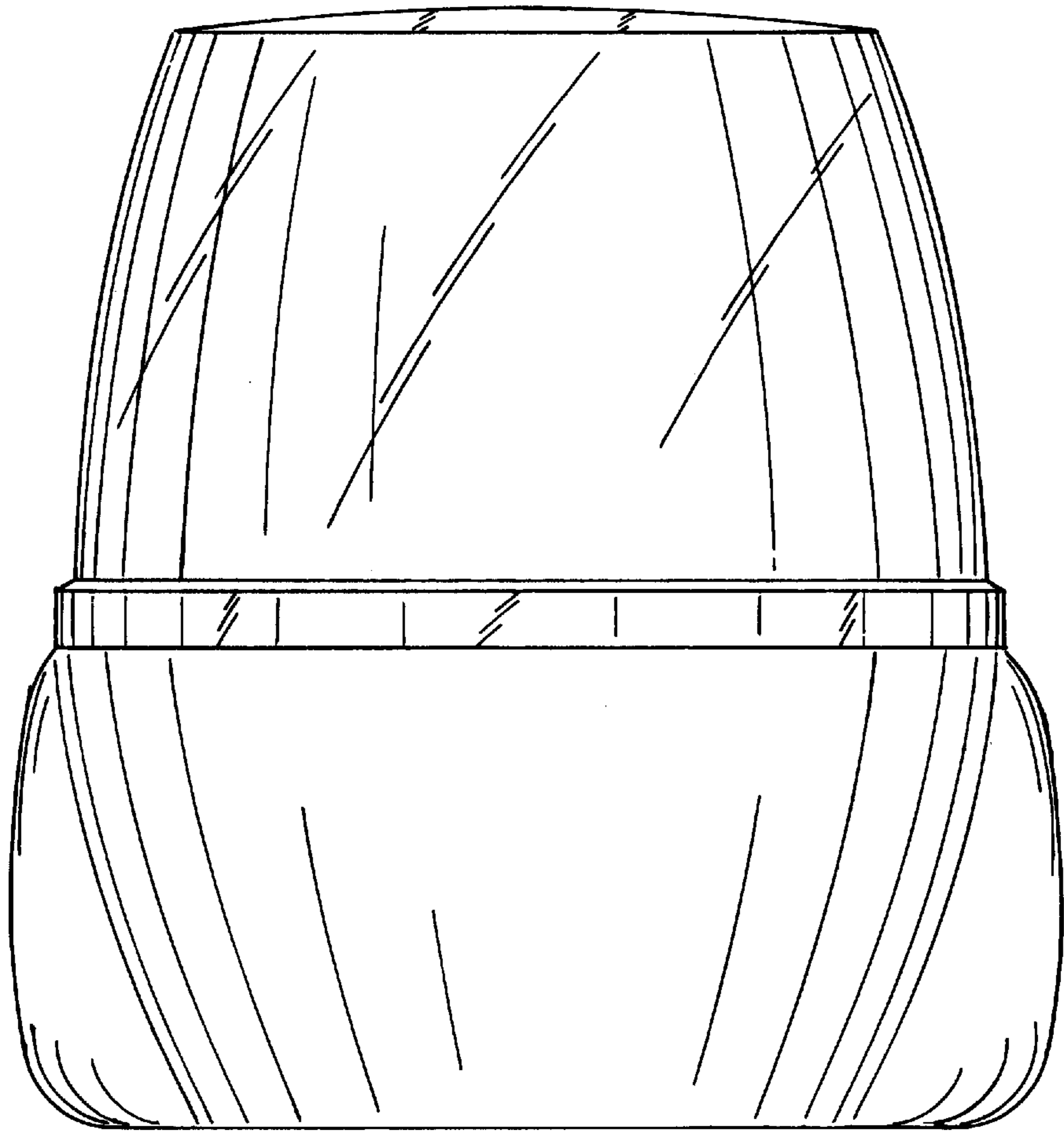


FIG. 5



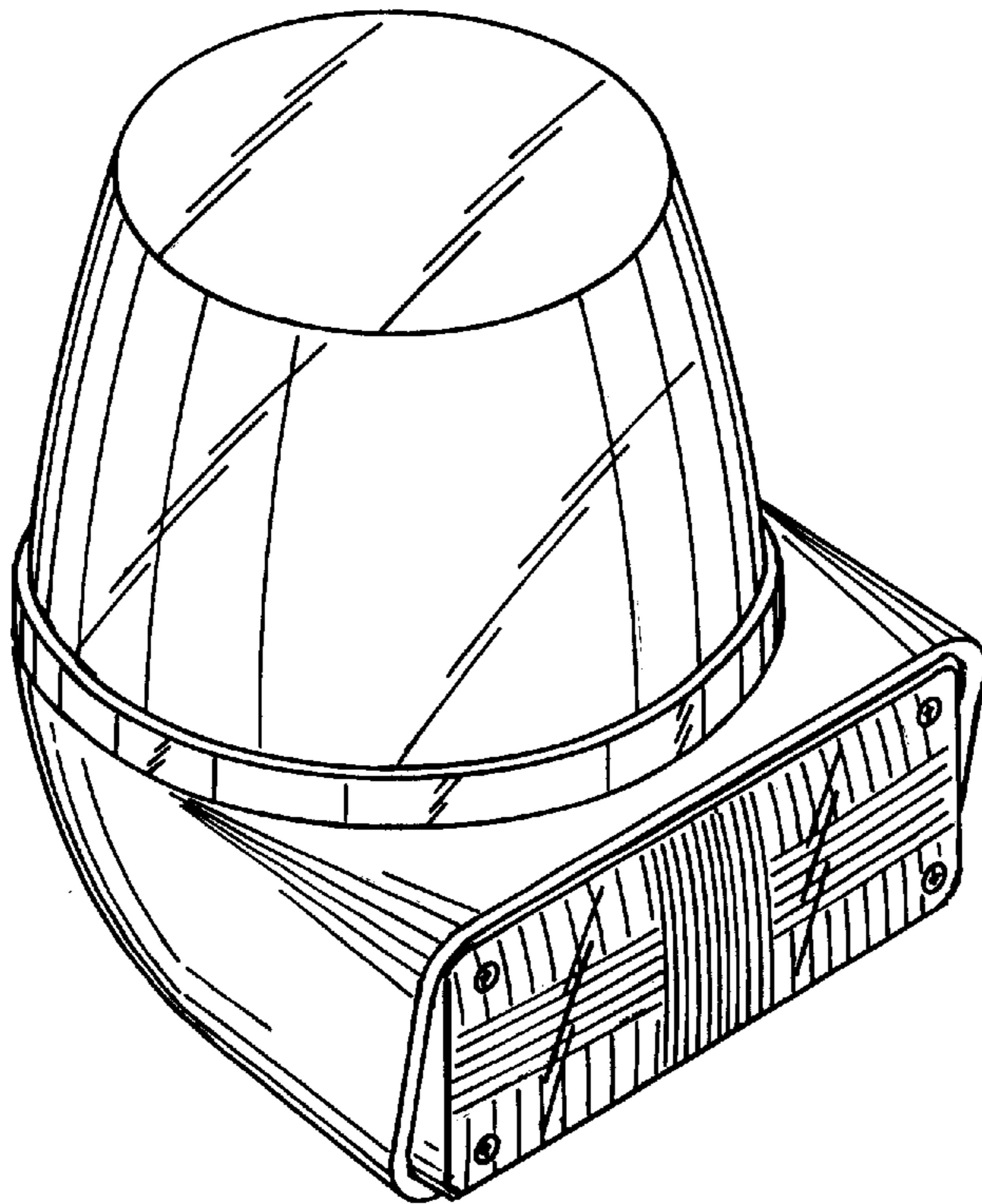


FIG. 6