



US00D402574S

United States Patent [19] O'Malley

[11] **Patent Number: Des. 402,574**

[45] **Date of Patent: **Dec. 15, 1998**

[54] **FISHING POLE CASTING COUNTER**

4,934,628 6/1990 Yamaguchi 242/223
5,088,223 2/1992 Chu 43/17
5,345,691 9/1994 Falk et al. 33/707

[76] Inventor: **Robert Martin O'Malley**, 653 Dublin Dr., Mundelein, Ill. 60060

[**] Term: **14 Years**

Primary Examiner—Antoine Duval Davis
Attorney, Agent, or Firm—Goldstein & Canino

[21] Appl. No.: **78,820**

[57] **CLAIM**

[22] Filed: **Oct. 31, 1997**

The ornamental design for a fishing pole casting counter, as shown and described.

[51] **LOC (6) Cl.** **10-04**

[52] **U.S. Cl.** **D10/97**

[58] **Field of Search** D10/97; D22/134, D22/139, 149; 43/17, 25; 235/63 A, 87 R, 87 A, 61 B, 117 R, 117 A, 118; 242/84.1, 223; 33/134, 707

DESCRIPTION

FIG. 1 is a diagrammatic perspective view of the fishing pole casting counter in full lines with a fishing pole shown in broken lines representing environmental association matter being for illustrative purposes only and forming no part of the claimed invention;

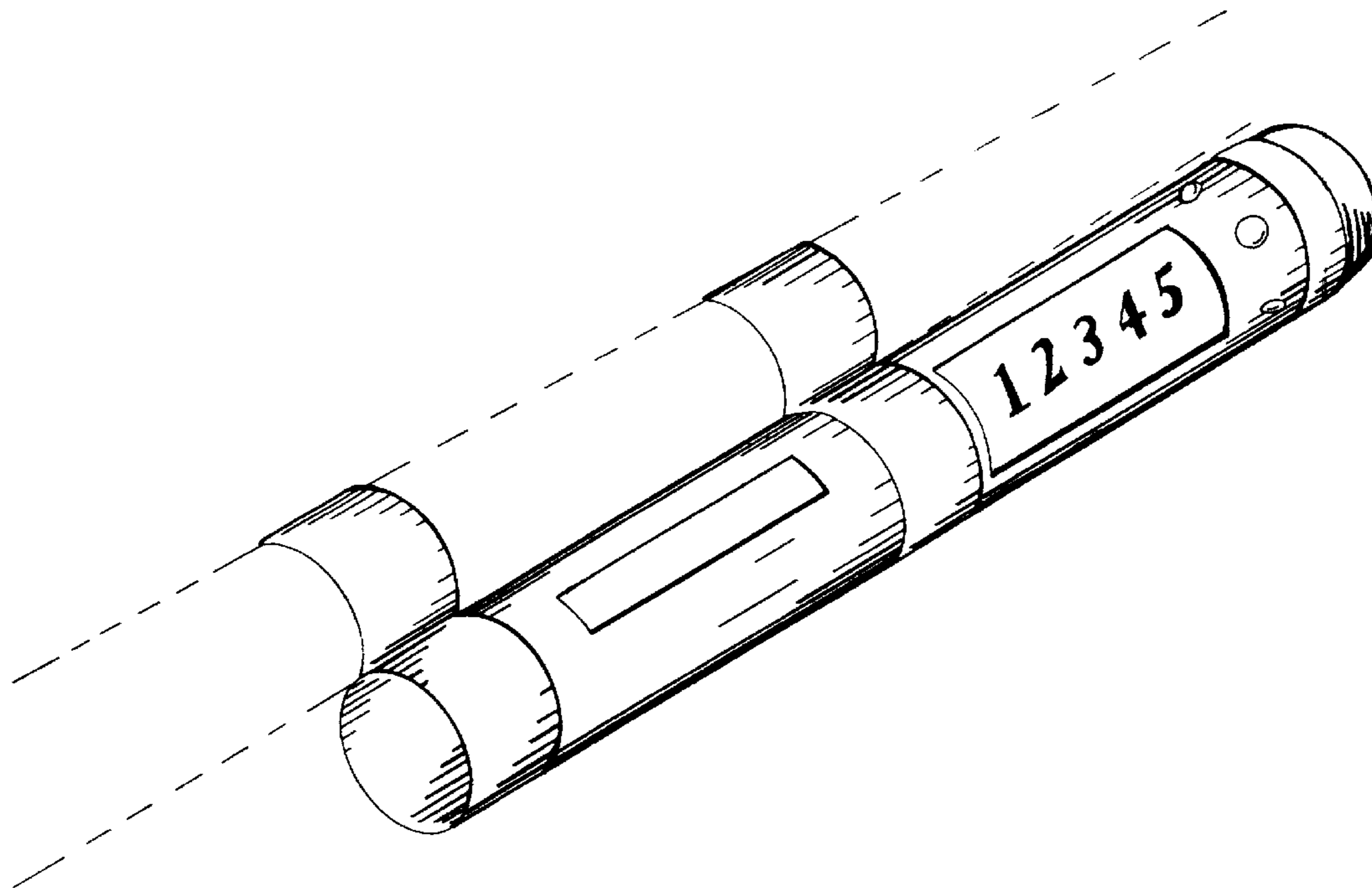
[56] **References Cited**

U.S. PATENT DOCUMENTS

D. 158,732 5/1950 Dreisbach D22/139
D. 305,450 1/1990 Noble et al. 43/17
3,880,349 4/1975 Harte 235/87 R
4,261,528 4/1981 McKinney 242/84.1
4,285,131 8/1981 Demchak et al. 33/134
4,382,336 5/1983 Call 33/134

FIG. 2 is a top plan view of the fishing pole casting counter; FIG. 3 is a bottom plan view thereof; FIG. 4 is a front elevational view thereof; FIG. 5 is a rear elevational view thereof; FIG. 6 is a left side elevational view thereof; and, FIG. 7 is a right side elevational view thereof.

1 Claim, 3 Drawing Sheets



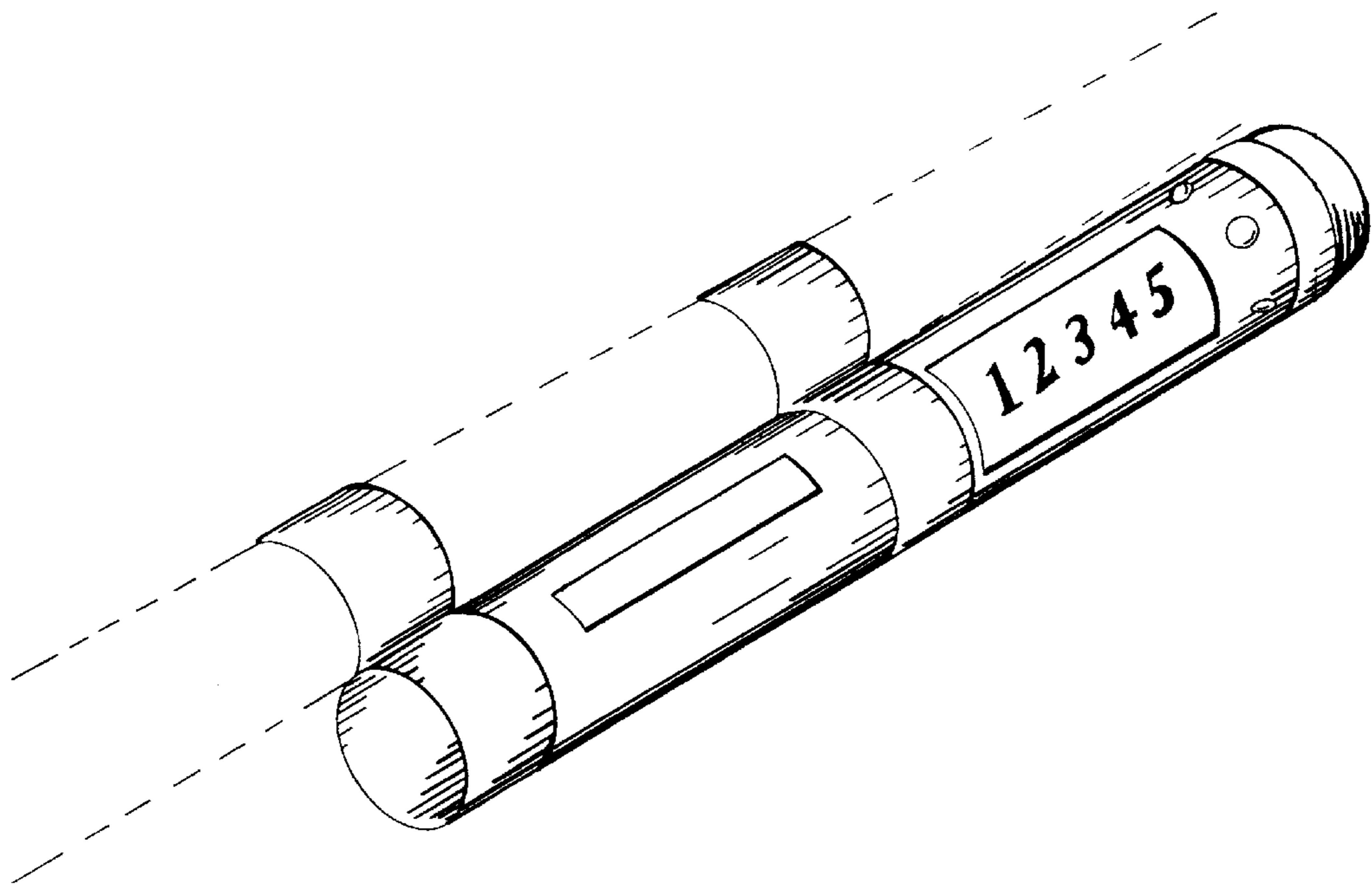


FIG.1

FIG. 2

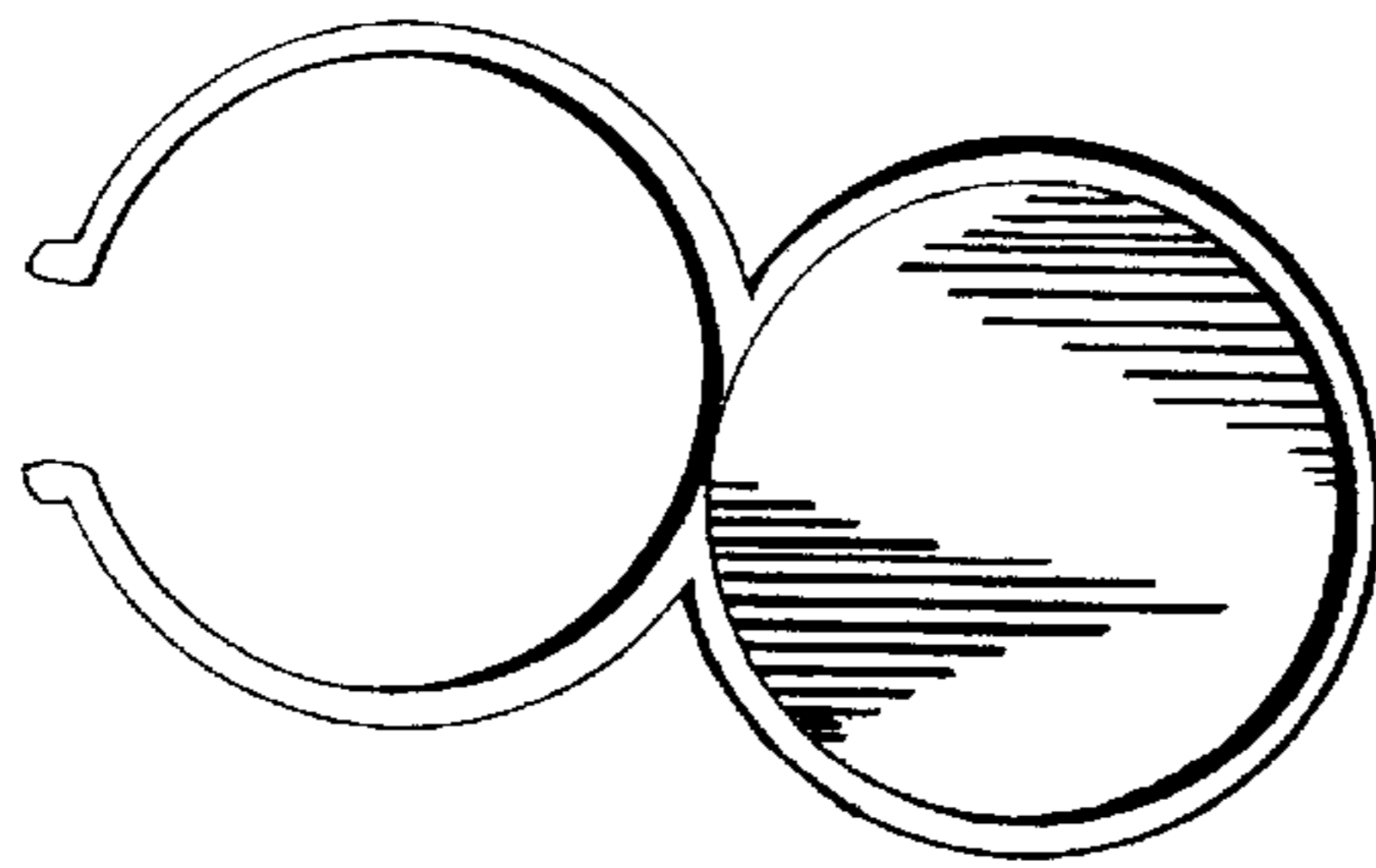


FIG. 3

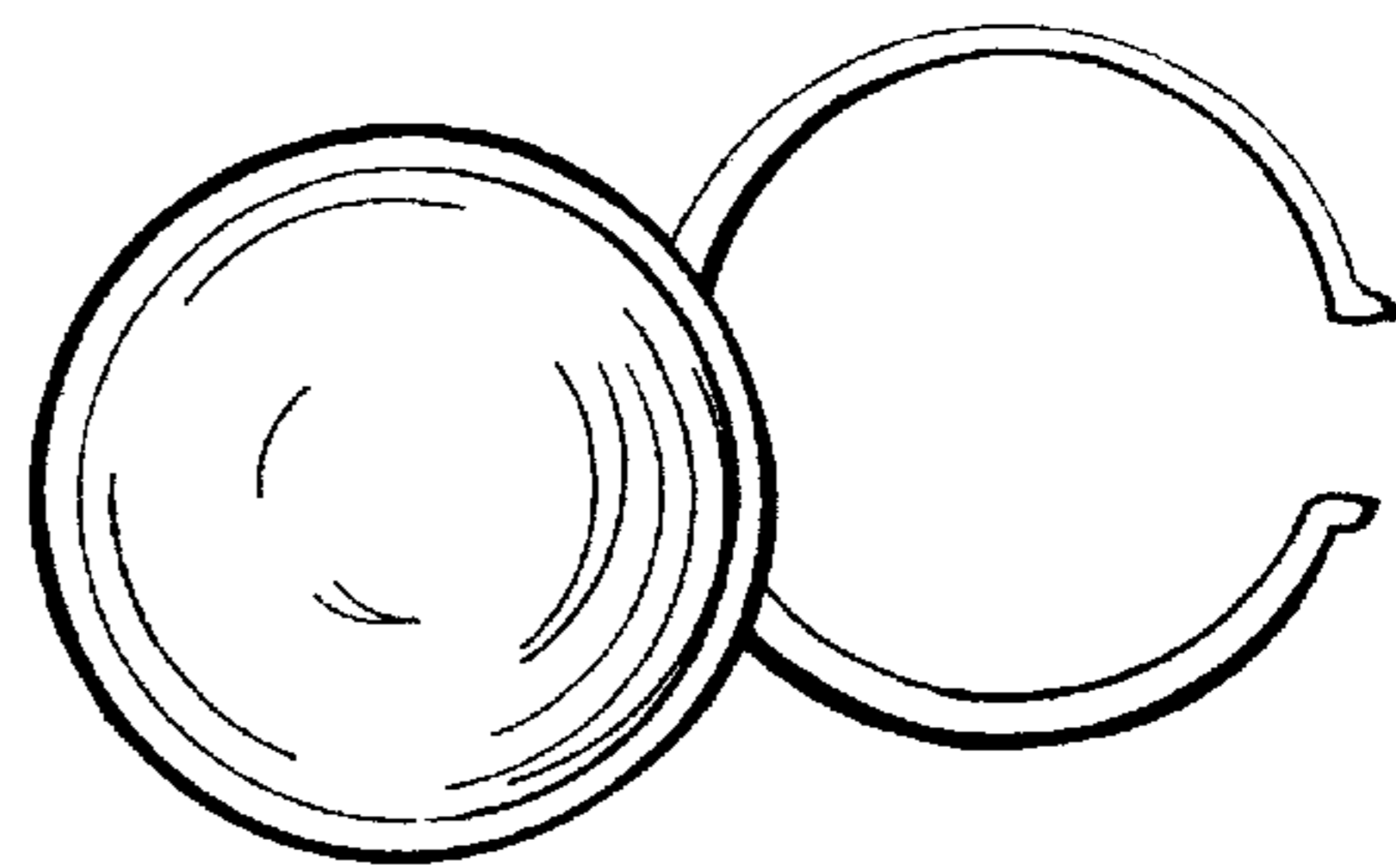


FIG. 4

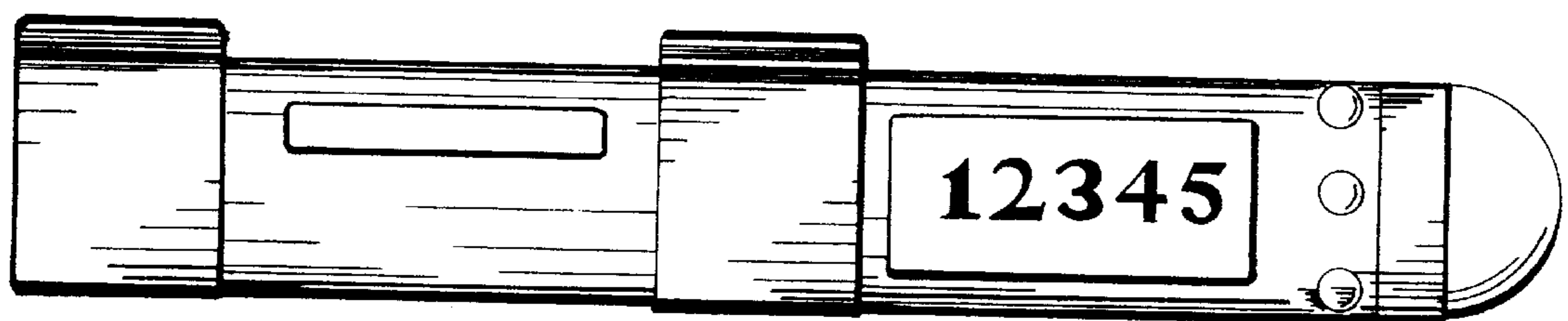


FIG. 5

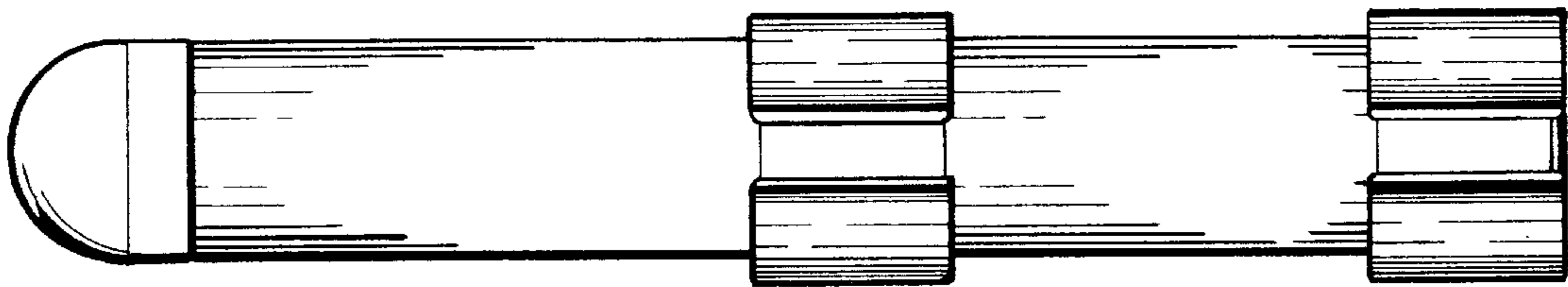


FIG. 6

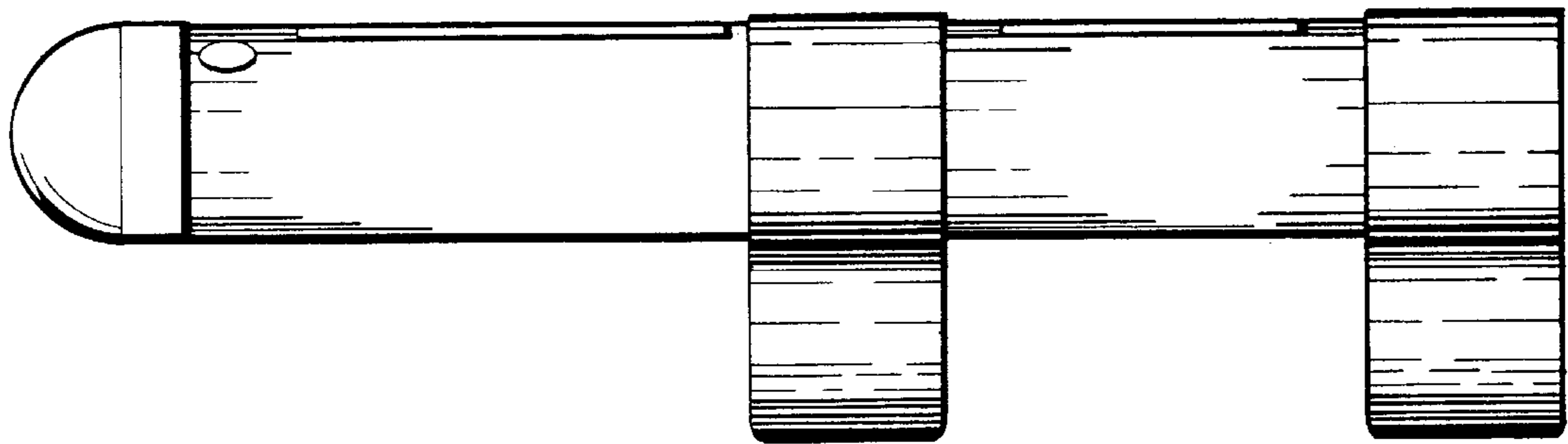


FIG. 7

