



US00D402573S

United States Patent [19]
Chen

[11] **Patent Number: Des. 402,573**

[45] **Date of Patent: **Dec. 15, 1998**

[54] **THERMOMETER**

[76] Inventor: **Chung-ming Chen**, 10F-3, No.9, Sec.2,
Roosevelt Road, Taipei, Taiwan

[**] Term: **14 Years**

[21] Appl. No.: **84,444**

[22] Filed: **Mar. 2, 1998**

[51] **LOC (6) Cl.** **10-04**

[52] **U.S. Cl.** **D10/58**

[58] **Field of Search** D10/58; 374/190-194,
374/201-203, 208

[56] **References Cited**

U.S. PATENT DOCUMENTS

D. 377,610 1/1997 Liang D10/58
3,470,744 10/1969 Lindberg 374/201

Primary Examiner—Antoine Duval Davis
Attorney, Agent, or Firm—Bacon & Thomas

[57] **CLAIM**

The ornamental design for a thermometer, as shown and described.

DESCRIPTION

FIG. 1 is a front elevational view of a thermometer showing my design;

FIG. 2 is a rear elevational view thereof;

FIG. 3 is a left side elevational view thereof;

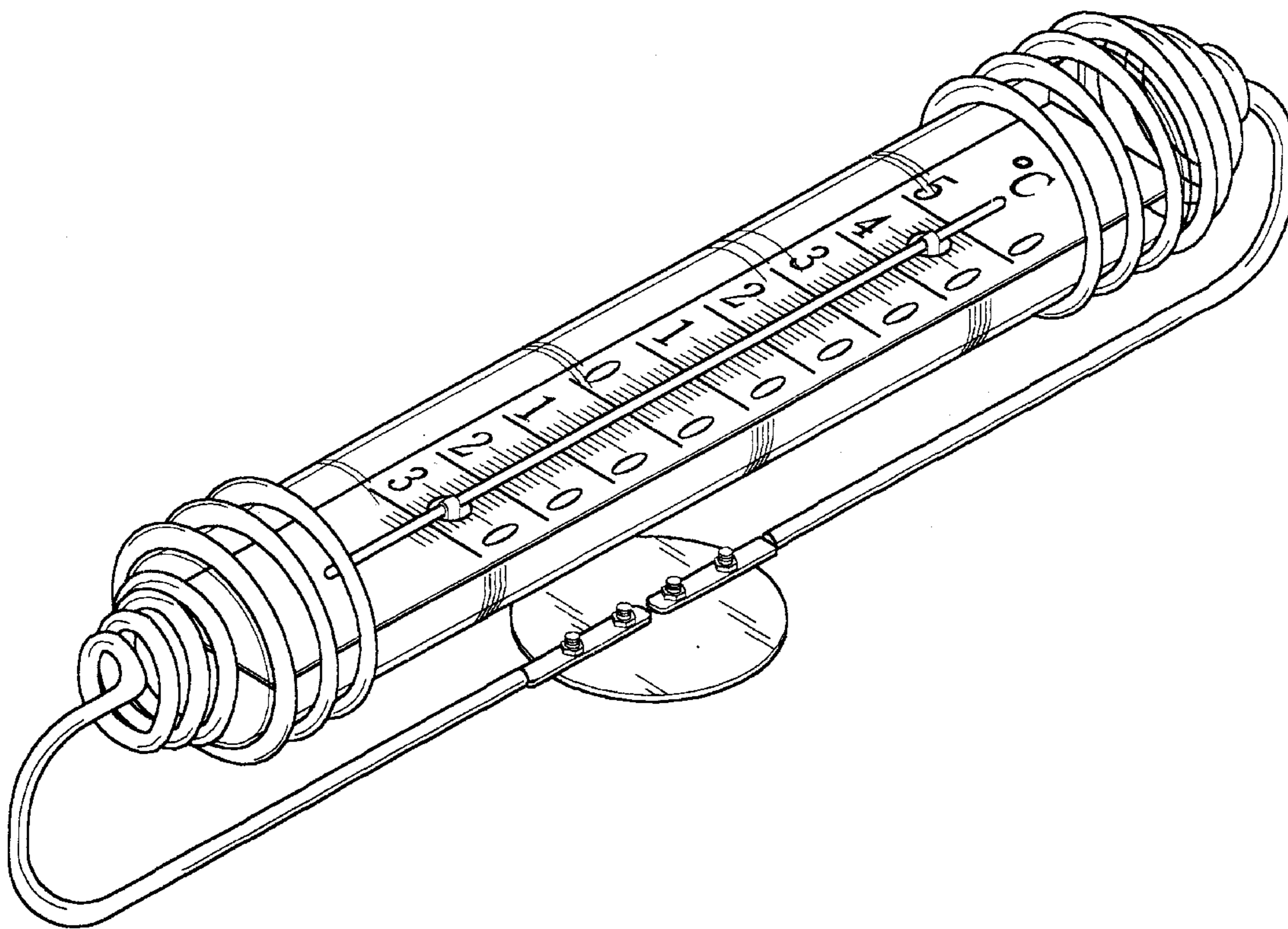
FIG. 4 is a right side elevational view thereof;

FIG. 5 is a top plan view thereof;

FIG. 6 is a bottom plan view thereof; and,

FIG. 7 is a perspective view thereof.

1 Claim, 4 Drawing Sheets



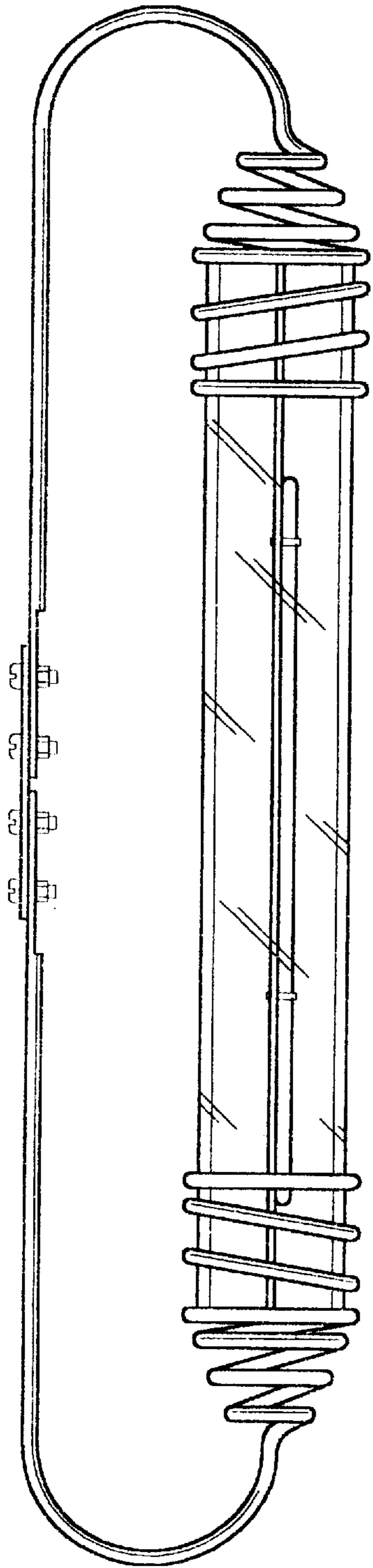


FIG. 3

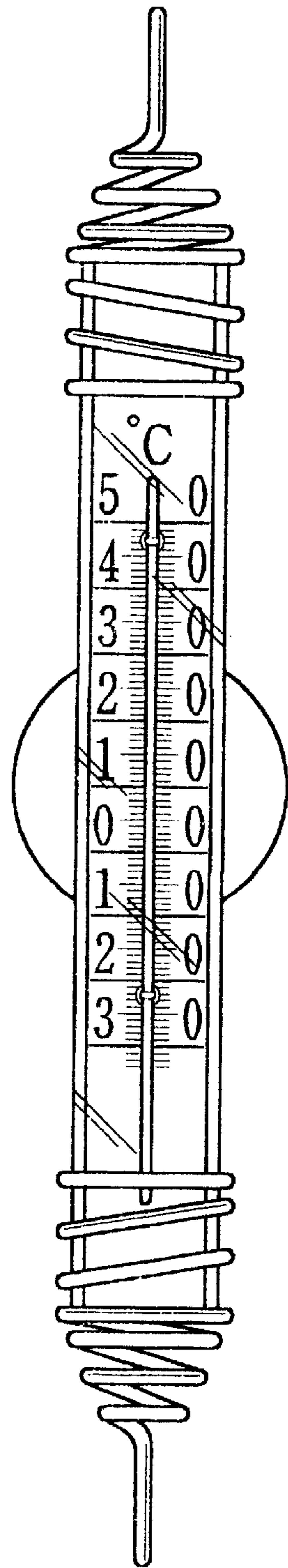


FIG. 1

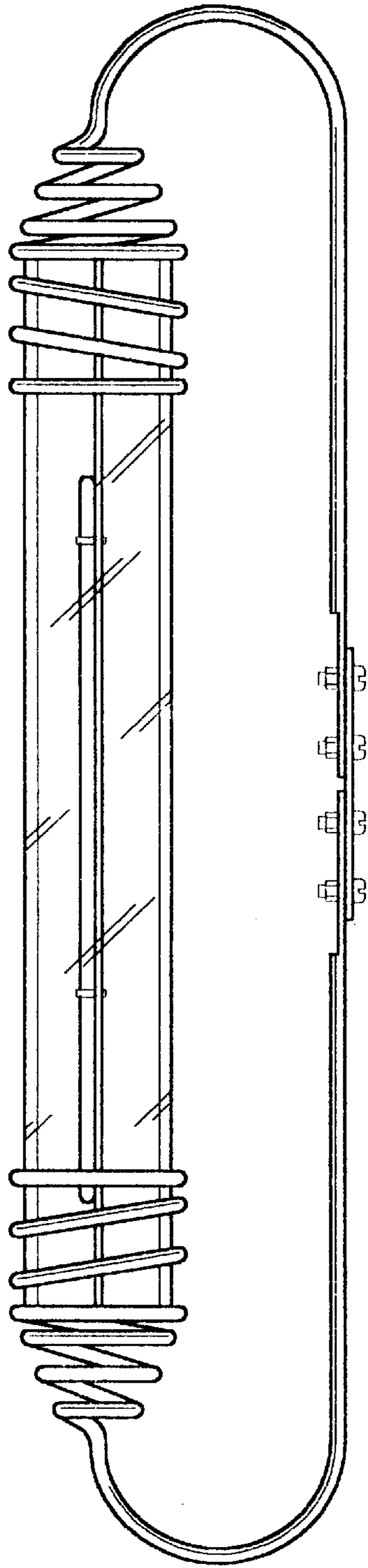


FIG. 4

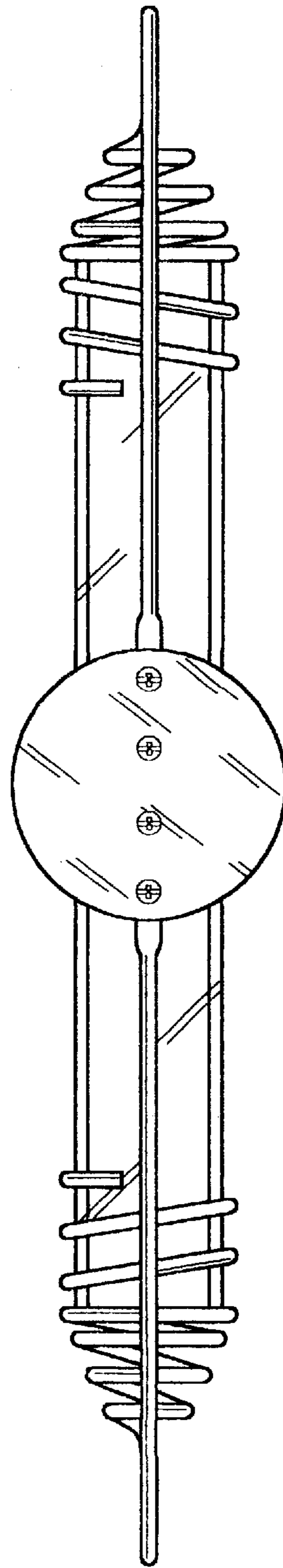


FIG. 2

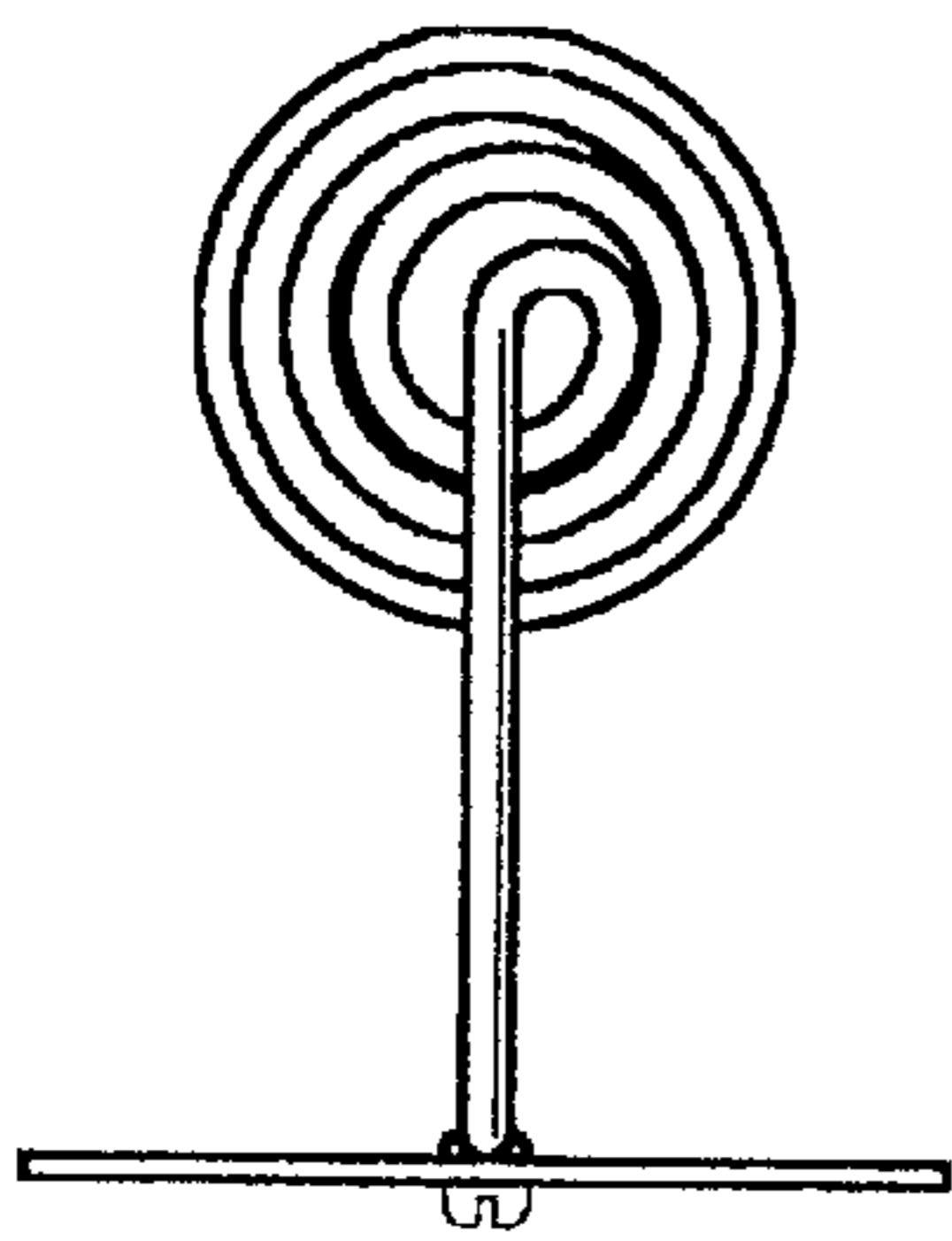


FIG. 6

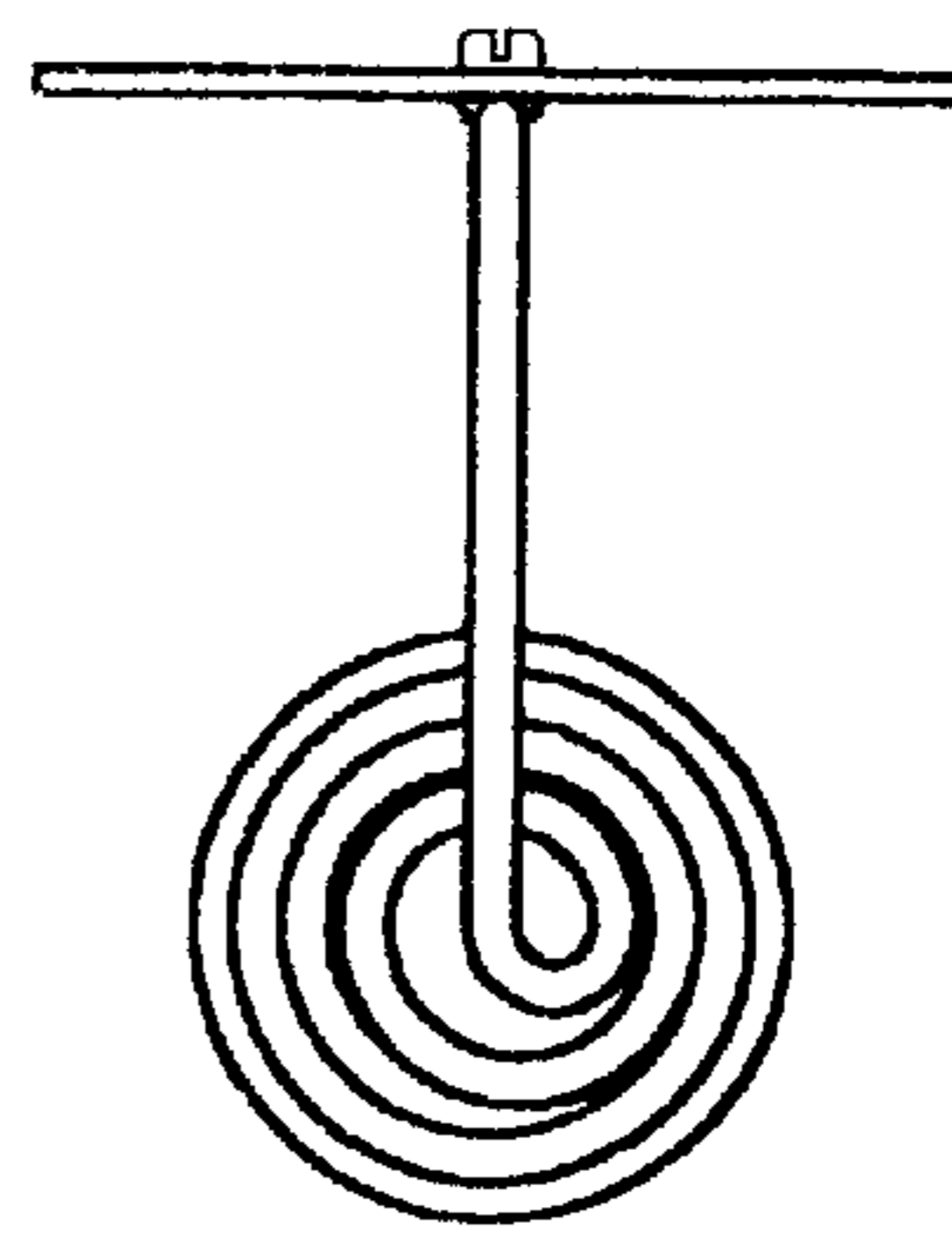


FIG. 5

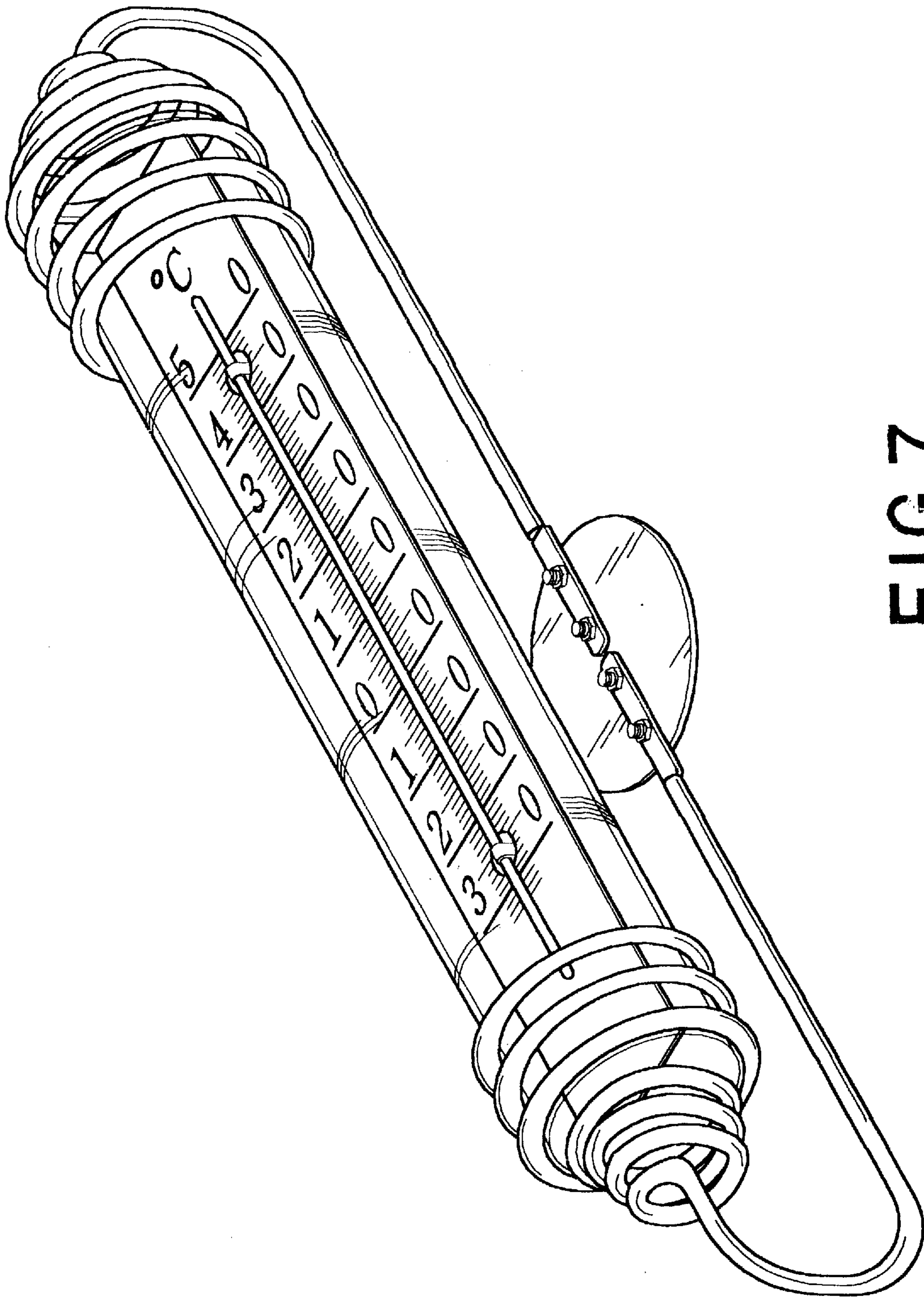


FIG. 7