



US00D402570S

# United States Patent [19]

Wright et al.

[11] Patent Number: **Des. 402,570**

[45] Date of Patent: **\*\*Dec. 15, 1998**

[54] FINGER WATCH

[76] Inventors: **Greg Wright; LaDeana Wright**, both of 4777 Pony Express Trail, Camino, Calif. 95709

[\*\*] Term: **14 Years**

[21] Appl. No.: **67,854**

[22] Filed: **Apr. 4, 1997**

[51] LOC (6) Cl. .... **10-02**

[52] U.S. Cl. .... **D10/31; D11/30**

[58] Field of Search ..... D10/2, 31, 15, D10/38, 30, 33, 6; D11/30-32

[56] **References Cited**

**U.S. PATENT DOCUMENTS**

- D. 109,626 5/1938 Stein ..... D11/30 X
- D. 148,715 2/1948 Madier ..... D11/30 X
- D. 197,801 3/1964 Nolen ..... D11/30
- D. 251,776 5/1979 Rosen ..... D11/30
- D. 262,527 1/1982 Goldberg ..... D11/1
- D. 266,312 9/1982 Lin ..... D10/2
- D. 267,312 12/1982 Frank ..... D10/2

- D. 267,859 2/1983 Kabaya ..... D10/2
- D. 296,533 7/1988 Colvin ..... D11/2
- 2,018,079 10/1935 Macioci ..... D11/30 X

*Primary Examiner*—Nelson C. Holtje  
*Attorney, Agent, or Firm*—John D. Gugliotta

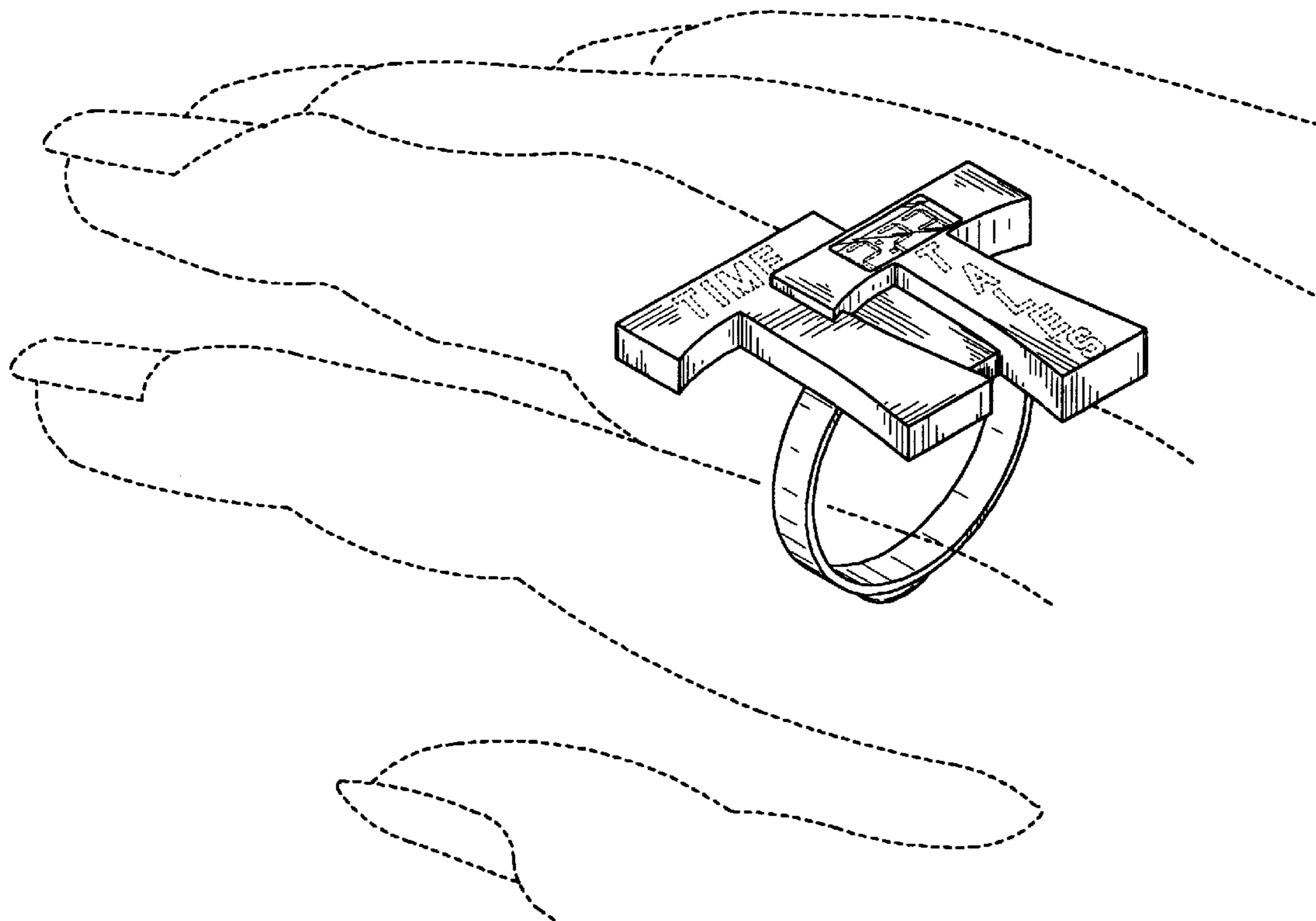
[57] **CLAIM**

The ornamental design for a finger watch, as shown and described.

**DESCRIPTION**

FIG. 1 is a perspective view of a finger watch showing my new design;  
 FIG. 2 is a top plan view thereof;  
 FIG. 3 is a bottom plan view thereof;  
 FIG. 4 is a front elevational view thereof, the opposite elevation being a mirror image; and,  
 FIG. 5 is a left side elevational view thereof, the opposite side being a mirror image.  
 The broken-line showings of a hand and indicia in FIGS. 1 and 2 are environmental only and form no part of the claimed design.

**1 Claim, 1 Drawing Sheet**



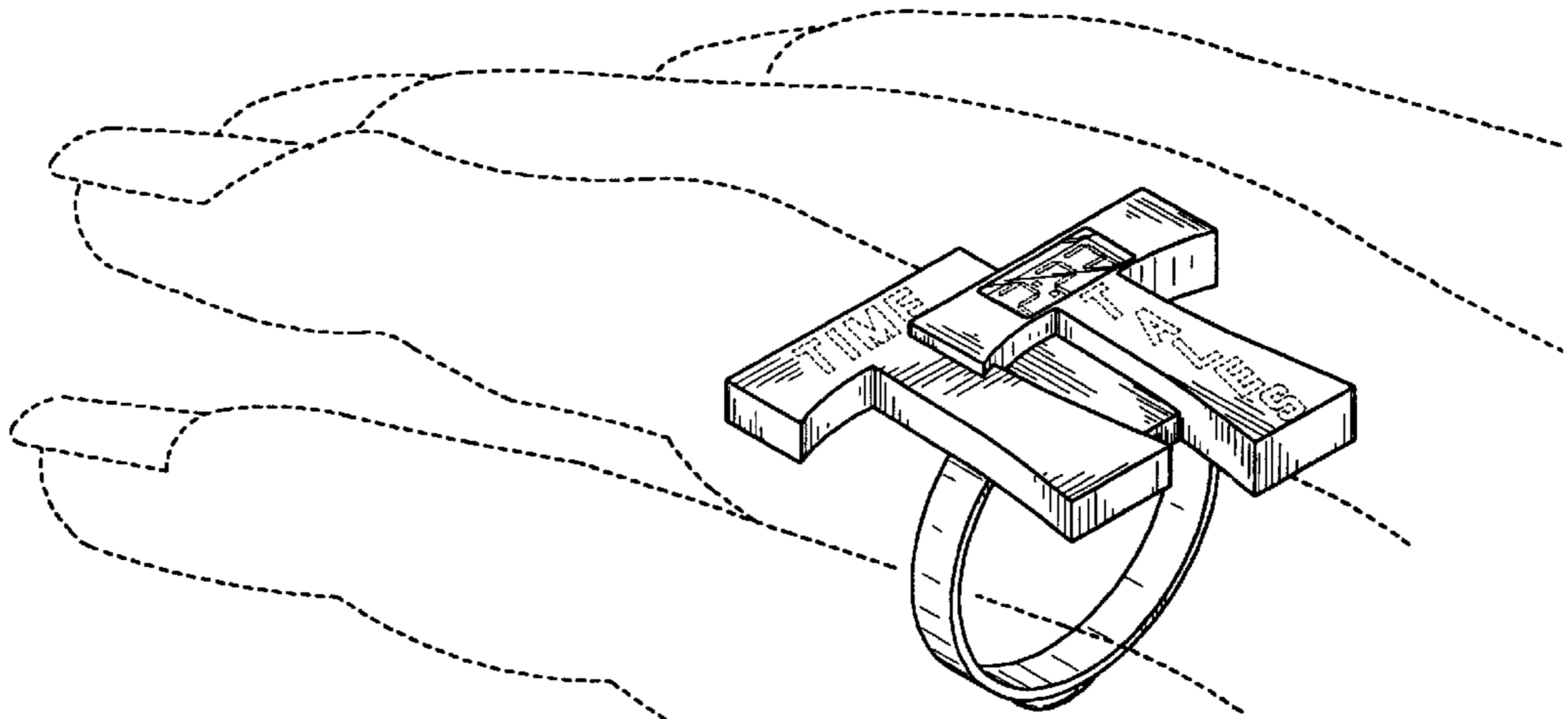


Fig.1

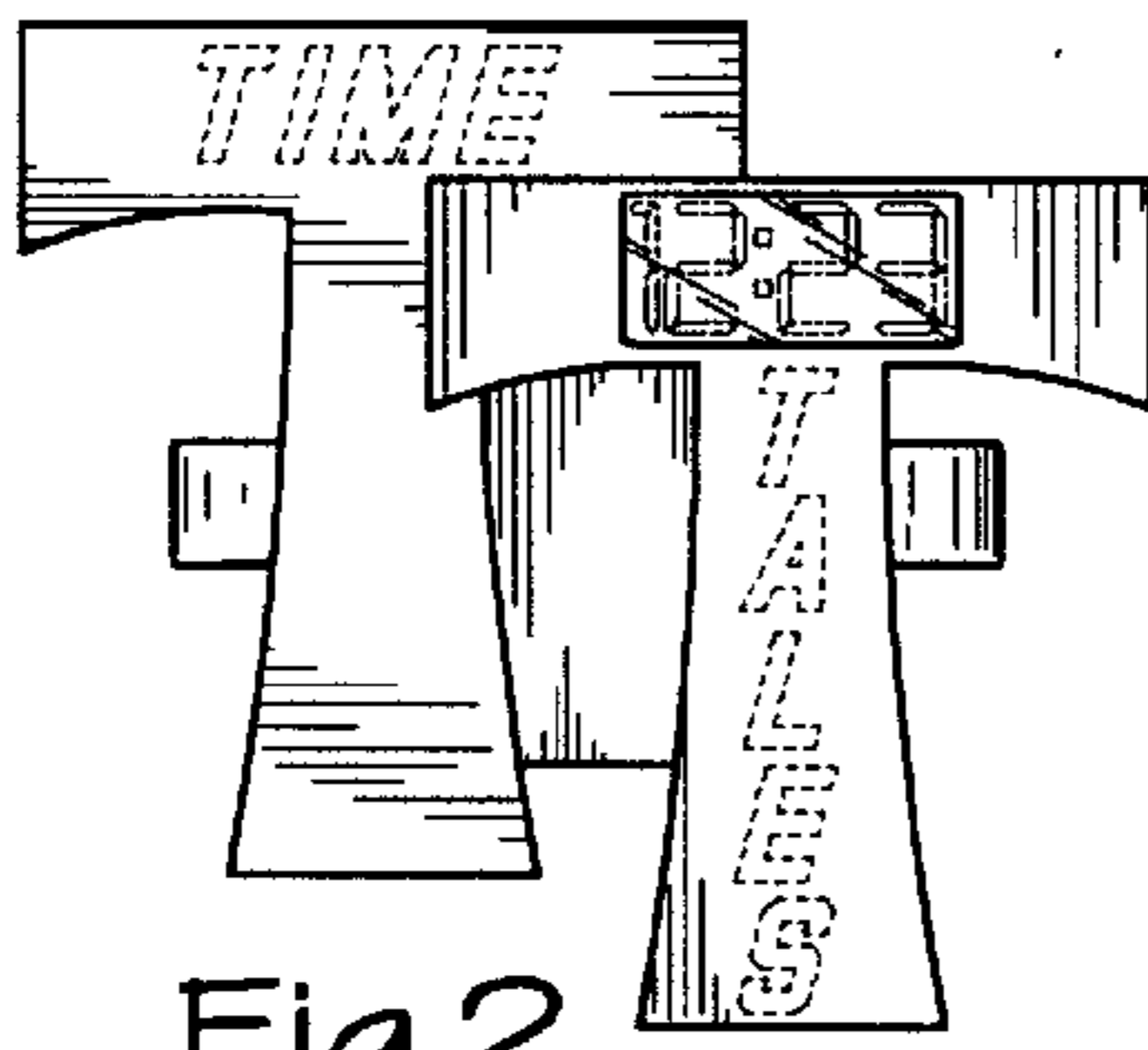


Fig.2

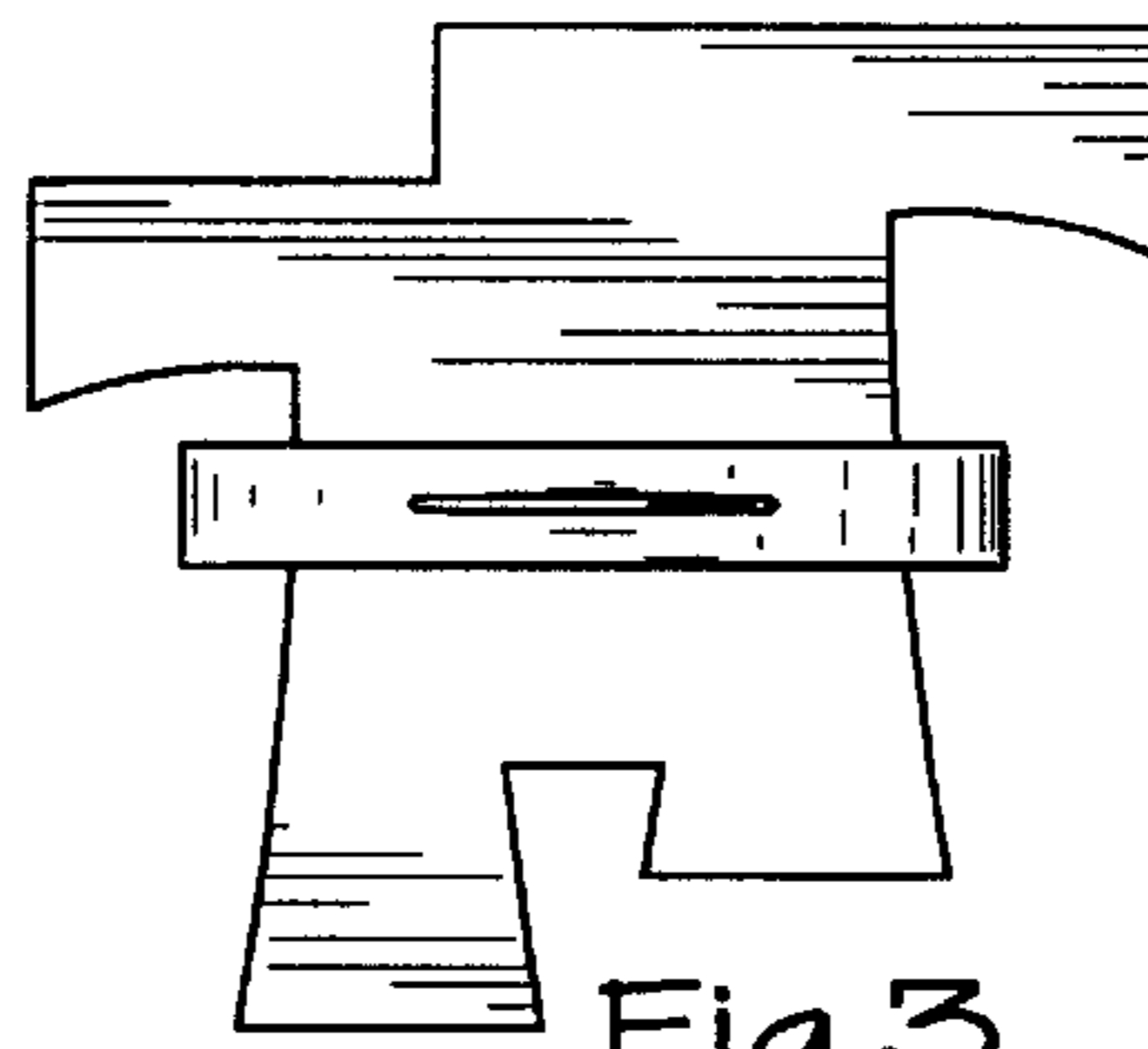


Fig.3

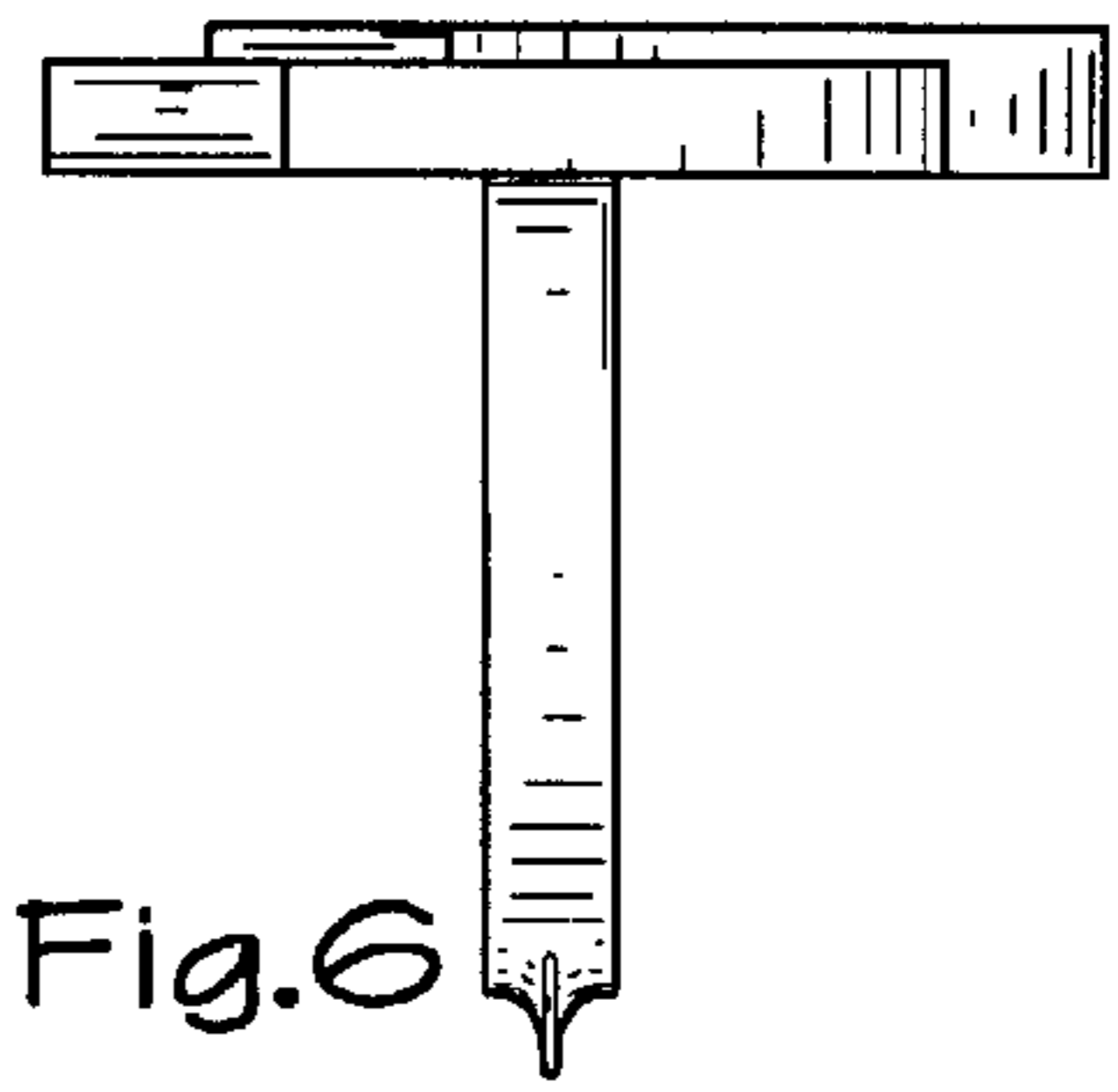


Fig.6

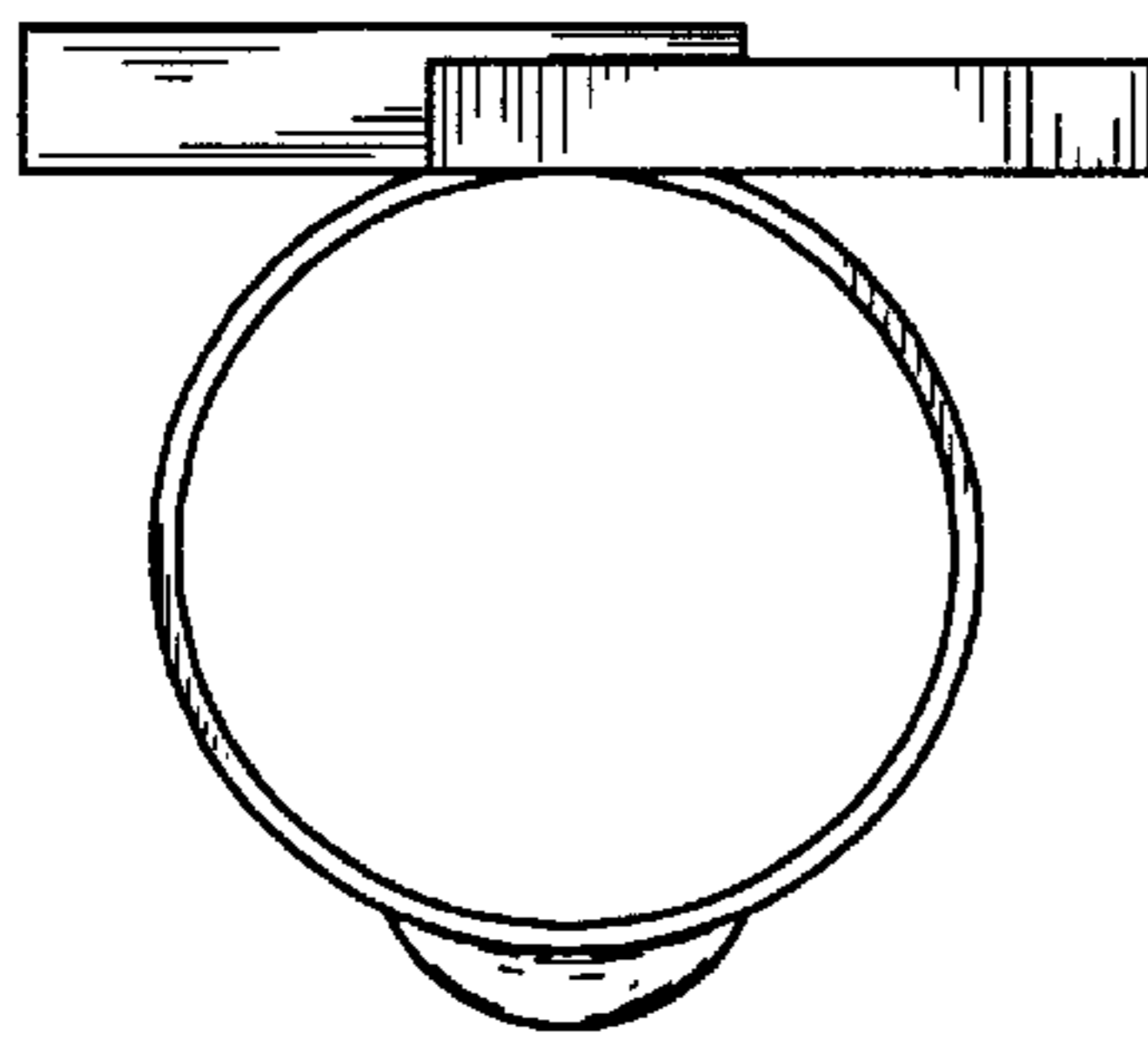


Fig.4

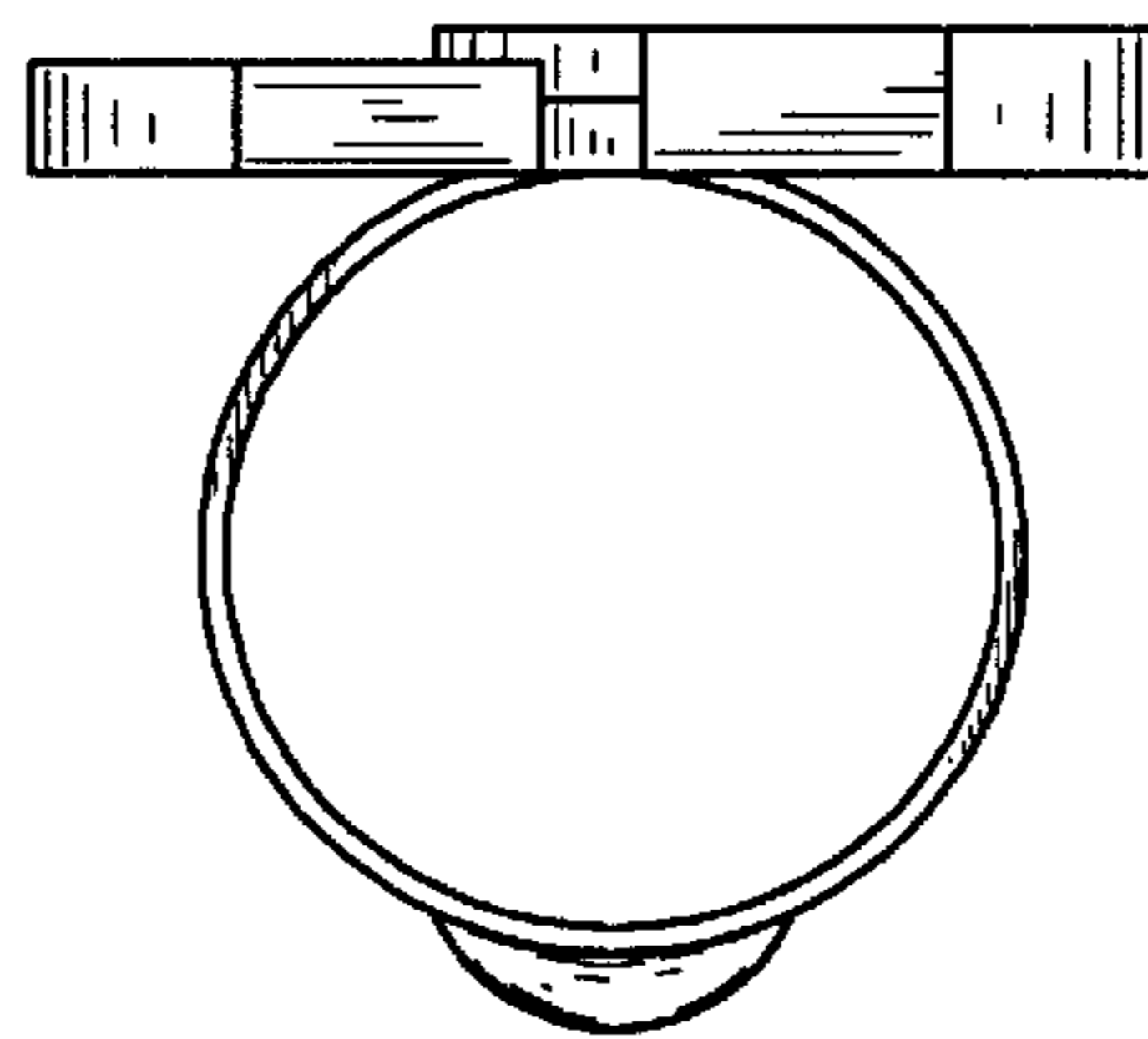


Fig.5

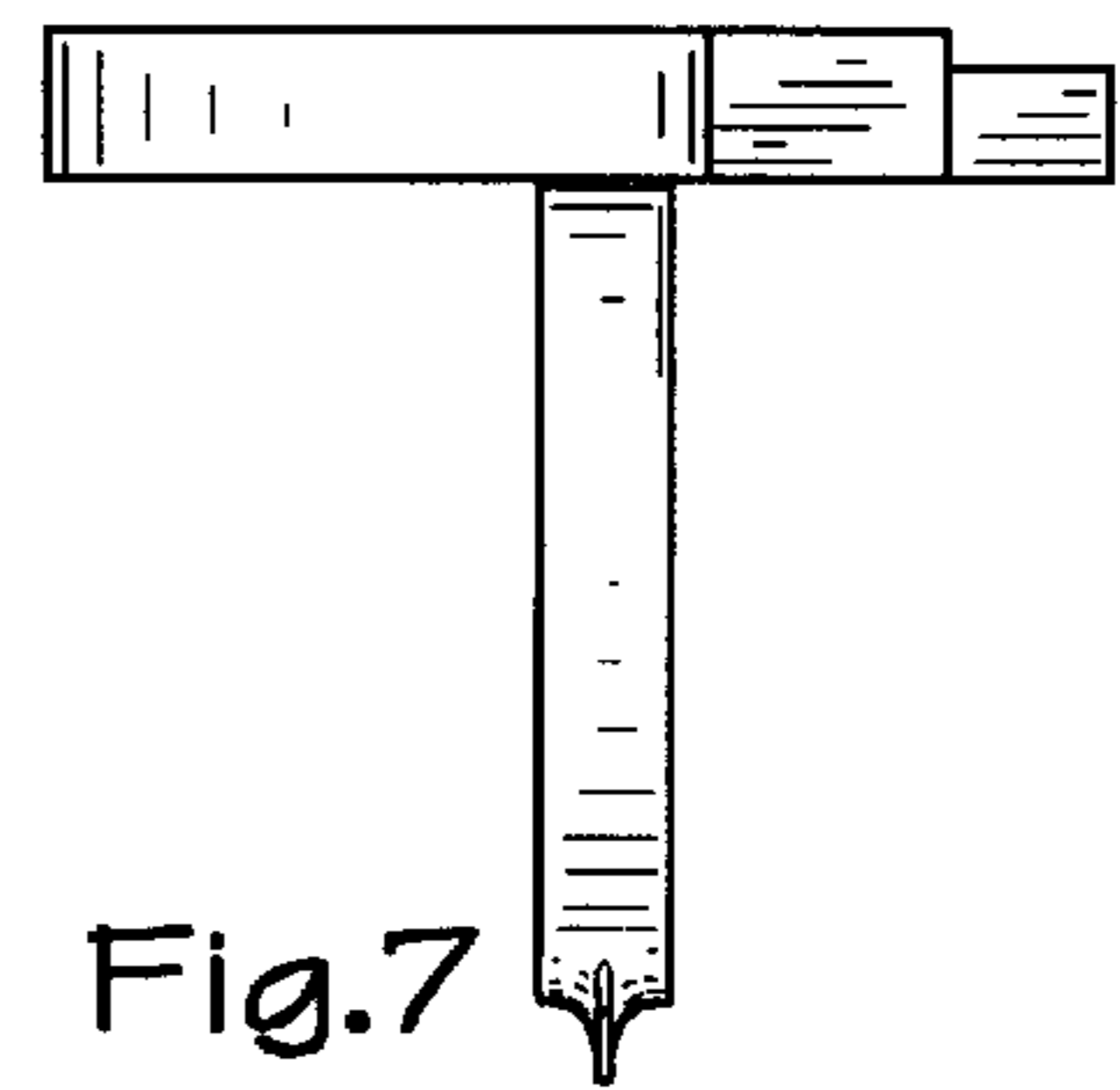


Fig.7