



US00D402562S

United States Patent [19]

Anderson et al.

[11] Patent Number: **Des. 402,562**

[45] Date of Patent: ****Dec. 15, 1998**

[54] CONTAINER

[75] Inventors: **Jack Anderson; Lisa Cerveny**, both of Seattle; **Bruce Branson-Meyer**, Bainbridge Is, all of Wash.

[73] Assignee: **Custom Building Products**, Seal Beach, Calif.

[**] Term: **14 Years**

[21] Appl. No.: **78,342**

[22] Filed: **Oct. 21, 1997**

[51] LOC (6) Cl. **09-01**

[52] U.S. Cl. **D9/528; D9/547; D9/557; D9/562**

[58] Field of Search D9/528, 557, 523, D9/547, 562, 558, 549; 215/385, 382-384, 398

[56] **References Cited**

U.S. PATENT DOCUMENTS

D. 101,392 9/1936 Oestreich D9/562

D. 172,104	5/1954	Moyer	D9/523
D. 211,503	6/1968	Anderson	D8/528
D. 242,526	11/1976	Carré	D9/523
D. 287,937	1/1987	Sargent et al.	D9/523
D. 337,273	7/1993	Thatcher	D9/547
4,616,759	10/1986	Mahler	D9/528 X

Primary Examiner—Lucy Lieberman
Attorney, Agent, or Firm—Fulwider Patton Lee & Utecht, LLP

[57] **CLAIM**

The ornamental design for a container, as shown.

DESCRIPTION

FIG. 1 is a front perspective view of a container showing my new design;
FIG. 2 is a front elevational view thereof;
FIG. 3 is a rear elevational view thereof;
FIG. 4 is a right side elevation thereof;
FIG. 5 is a bottom plan view thereof;
FIG. 6 is a top view thereof; and,
FIG. 7 is a left side elevation thereof.

1 Claim, 4 Drawing Sheets

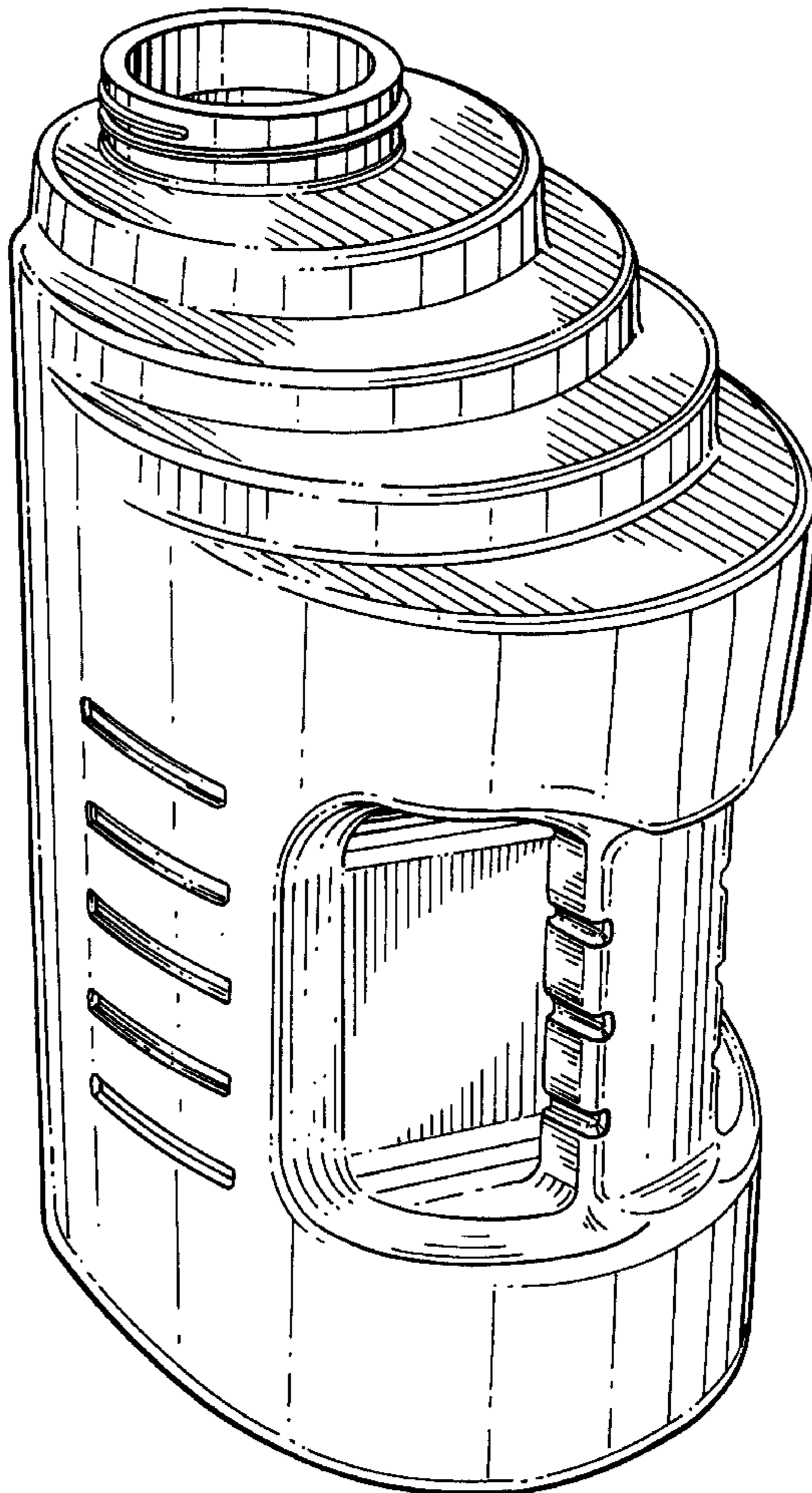


FIG. 1

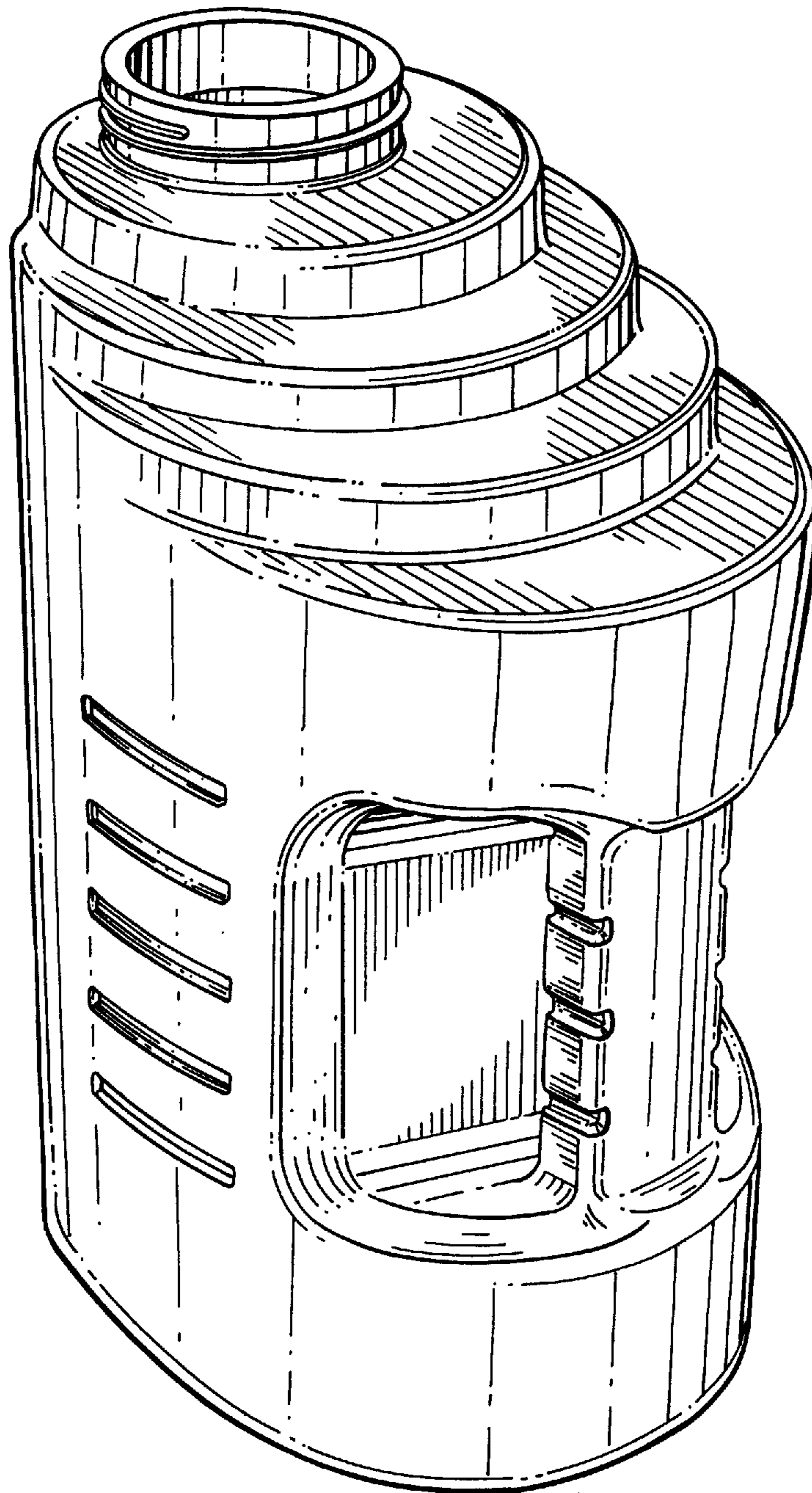


FIG. 3

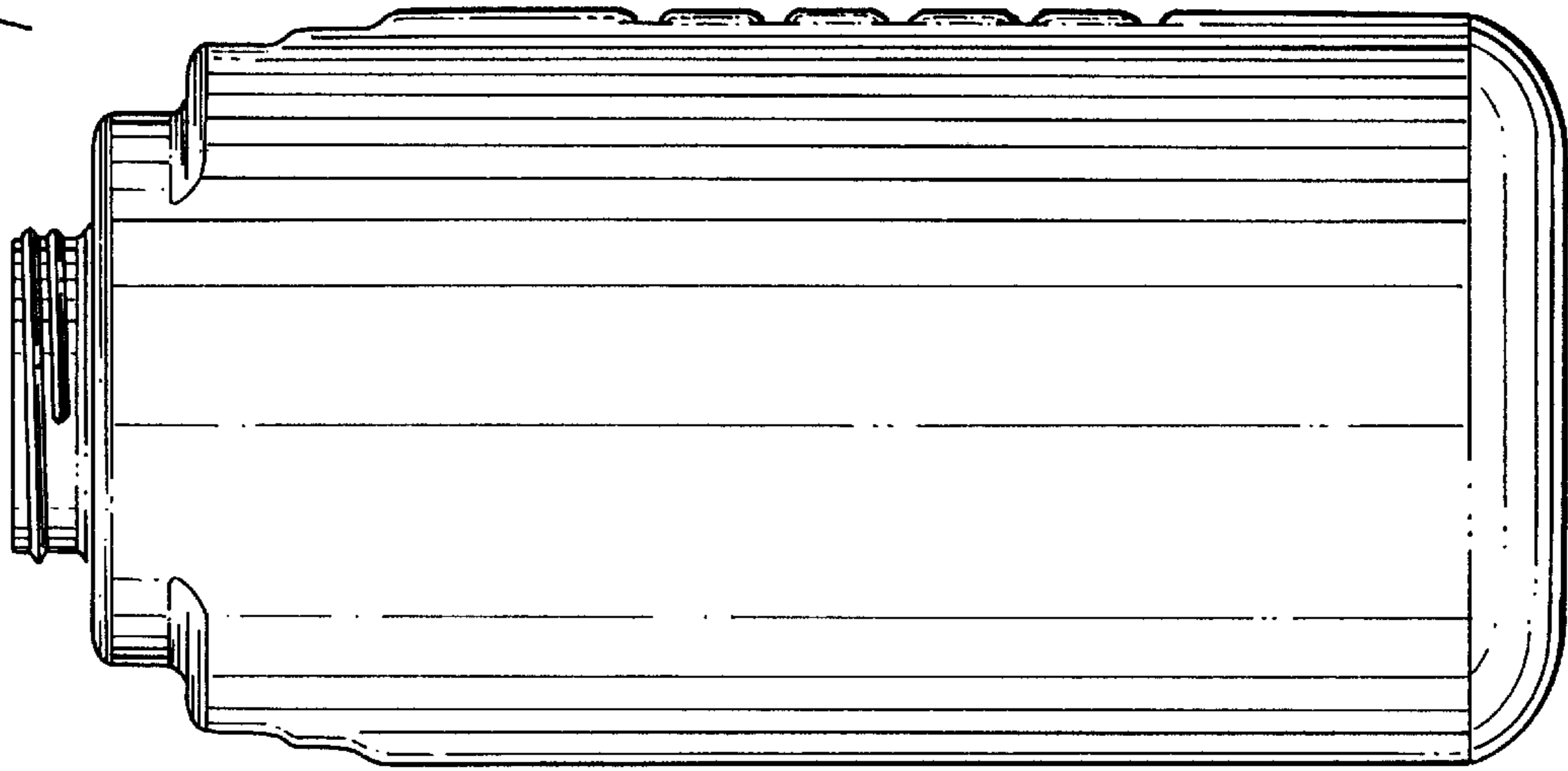


FIG. 2

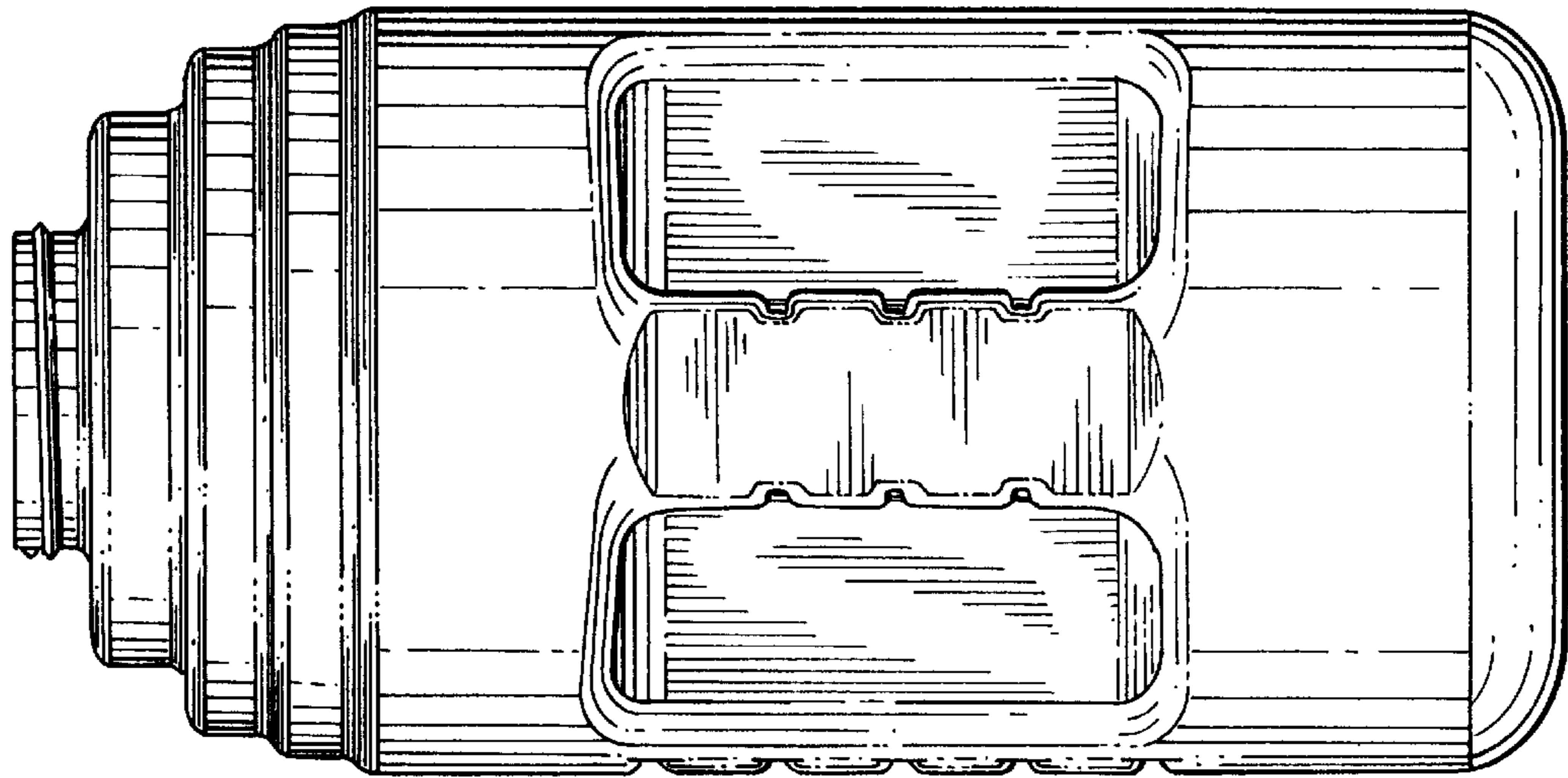


FIG. 4

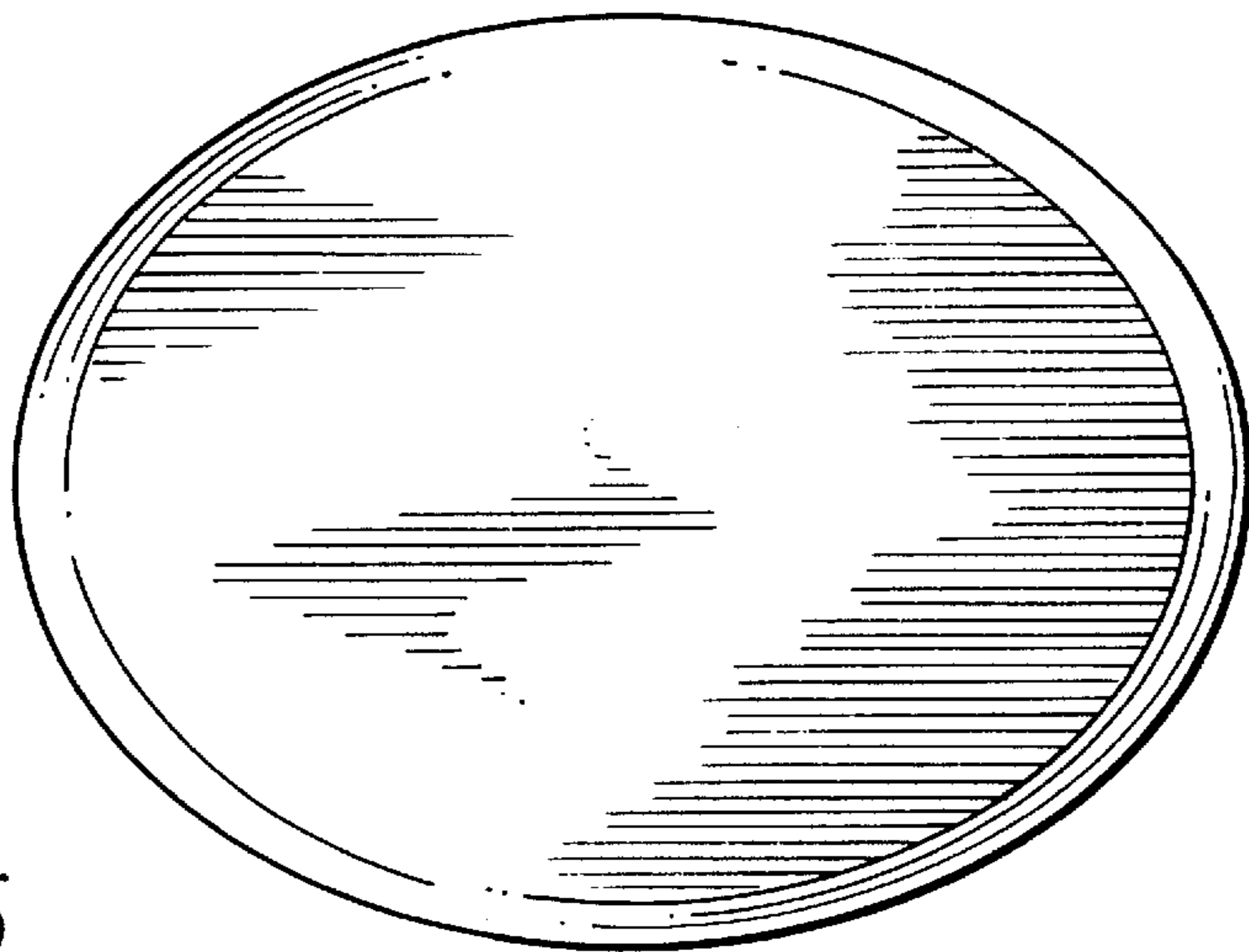
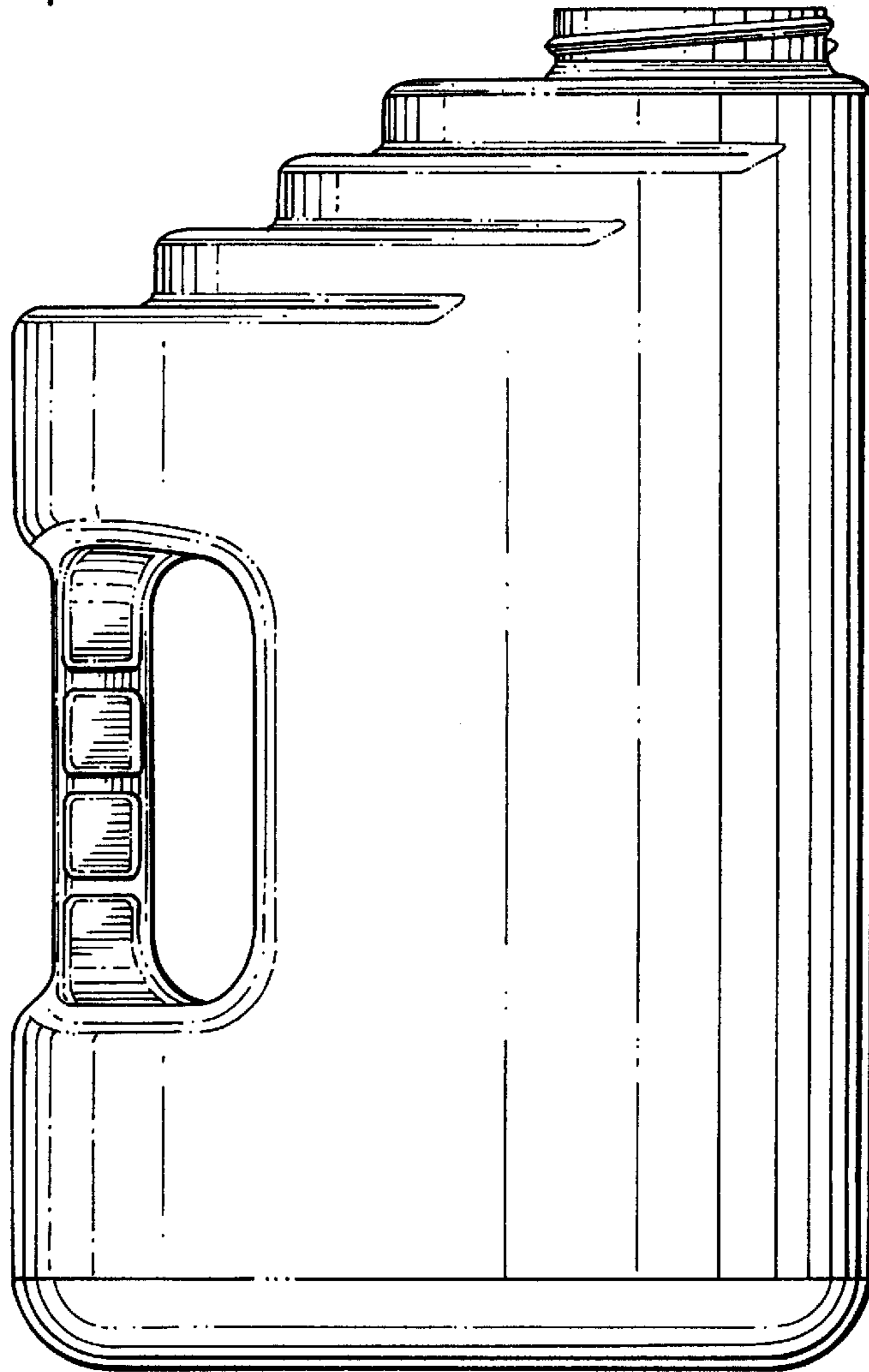


FIG. 5

FIG. 6

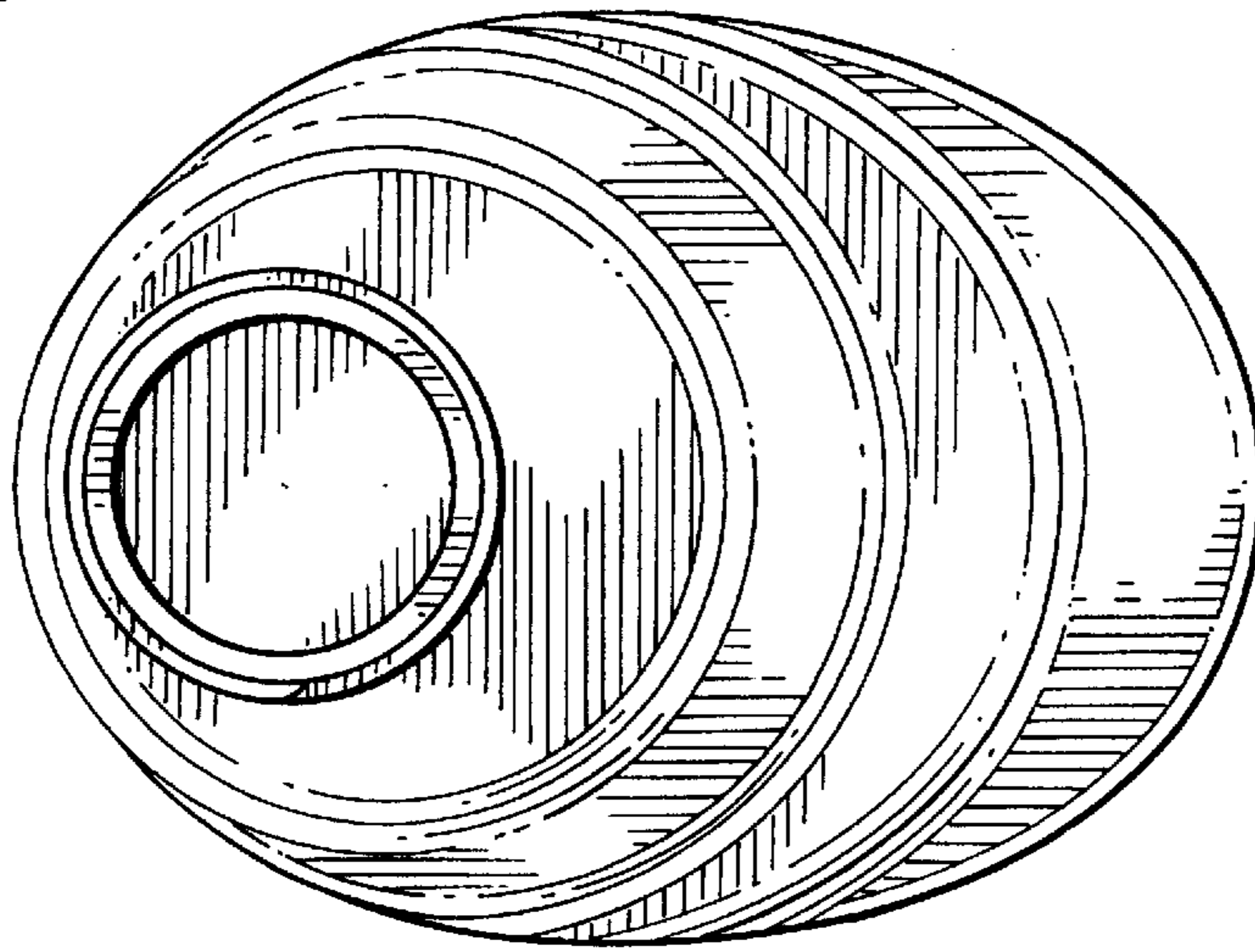


FIG. 7

