



US00D402556S

United States Patent [19] Frye

[11] **Patent Number: Des. 402,556**

[45] **Date of Patent: **Dec. 15, 1998**

[54] **PLASTIC LID FOR BEVERAGE CUP**

[75] Inventor: **Lon E. Frye**, Batavia, Ill.

[73] Assignee: **Proex Incorporated**, Batavia, Ill.

[**] Term: **14 Years**

[21] Appl. No.: **75,884**

[22] Filed: **Jul. 16, 1997**

[51] **LOC (6) Cl. 09-07**

[52] **U.S. Cl. D9/447**

[58] **Field of Search** D9/435, 443, 447,
D9/454; 206/459.1; 220/254, 268, 380,
711, 712, 713, 718; D7/392, 392.1, 510,
511, 629

[56] **References Cited**

U.S. PATENT DOCUMENTS

D. 267,633	1/1983	Christian	D9/443	X
D. 287,919	1/1987	Clements	D9/454	X
D. 379,928	6/1997	Freek et al.	D9/447	
D. 390,465	2/1998	Frye	D9/447	

4,518,096	5/1985	Winstead	220/712	X
5,398,843	3/1995	Warden et al.	220/713	X
5,509,568	4/1996	Warden et al.	220/713	X
5,624,053	4/1997	Freek et al.	220/713	

Primary Examiner—James Gandy
Assistant Examiner—Cathron B. Matta
Attorney, Agent, or Firm—Bachman & LaPointe, P.C.

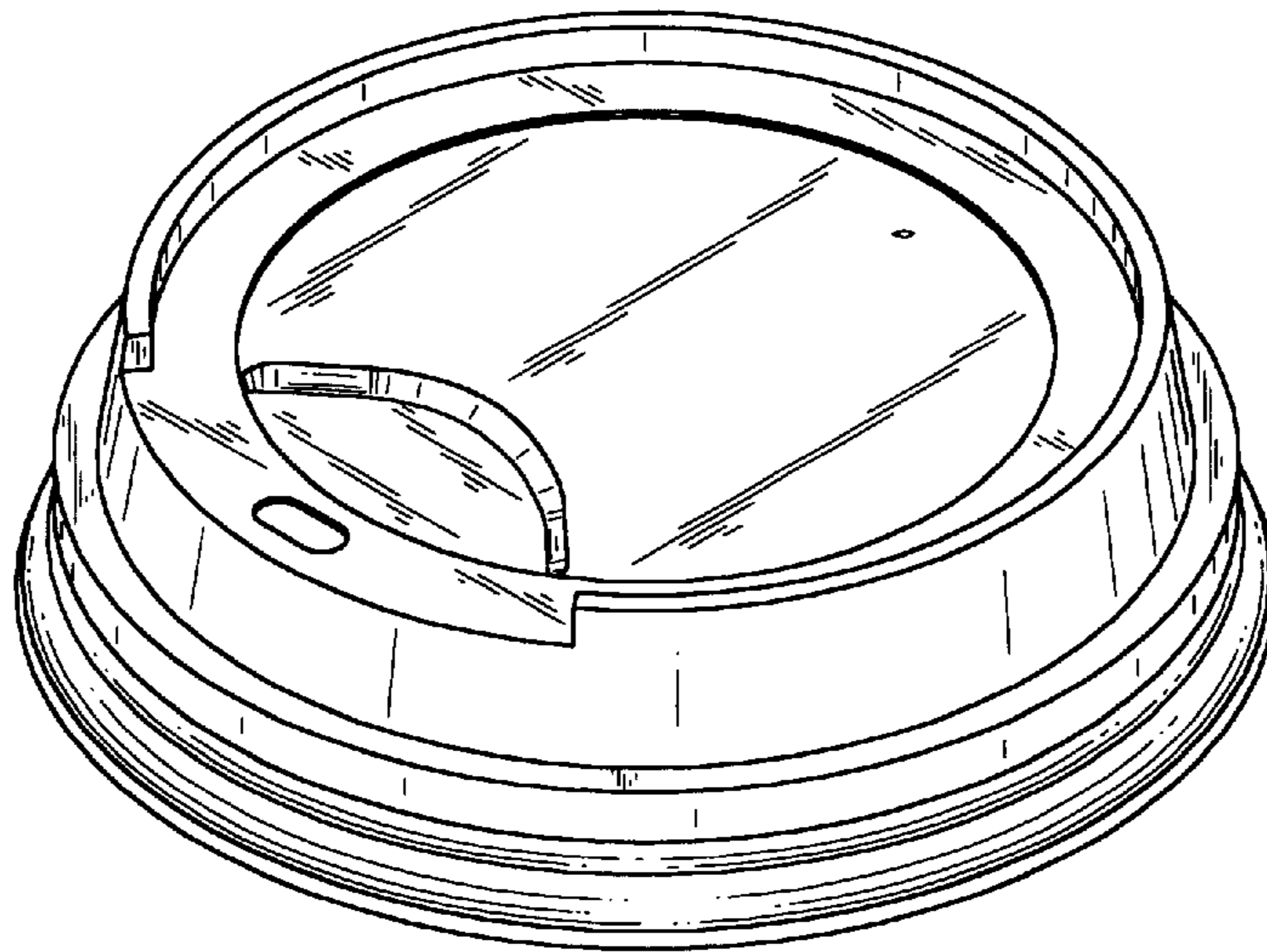
[57] **CLAIM**

The ornamental design for plastic lid for beverage cup, as shown and described.

DESCRIPTION

FIG. 1 is a perspective view of a plastic lid for beverage cup showing my new design;
FIG. 2 is a front elevational view of the showing of FIG. 1;
FIG. 3 is an elevational view of the left side of FIG. 1, the right side being a mirror image thereof;
FIG. 4 is a rear view of the showing of FIG. 1;
FIG. 5 is a top plan view of FIG. 1; and,
FIG. 6 is a bottom plan view of FIG. 1.

1 Claim, 2 Drawing Sheets



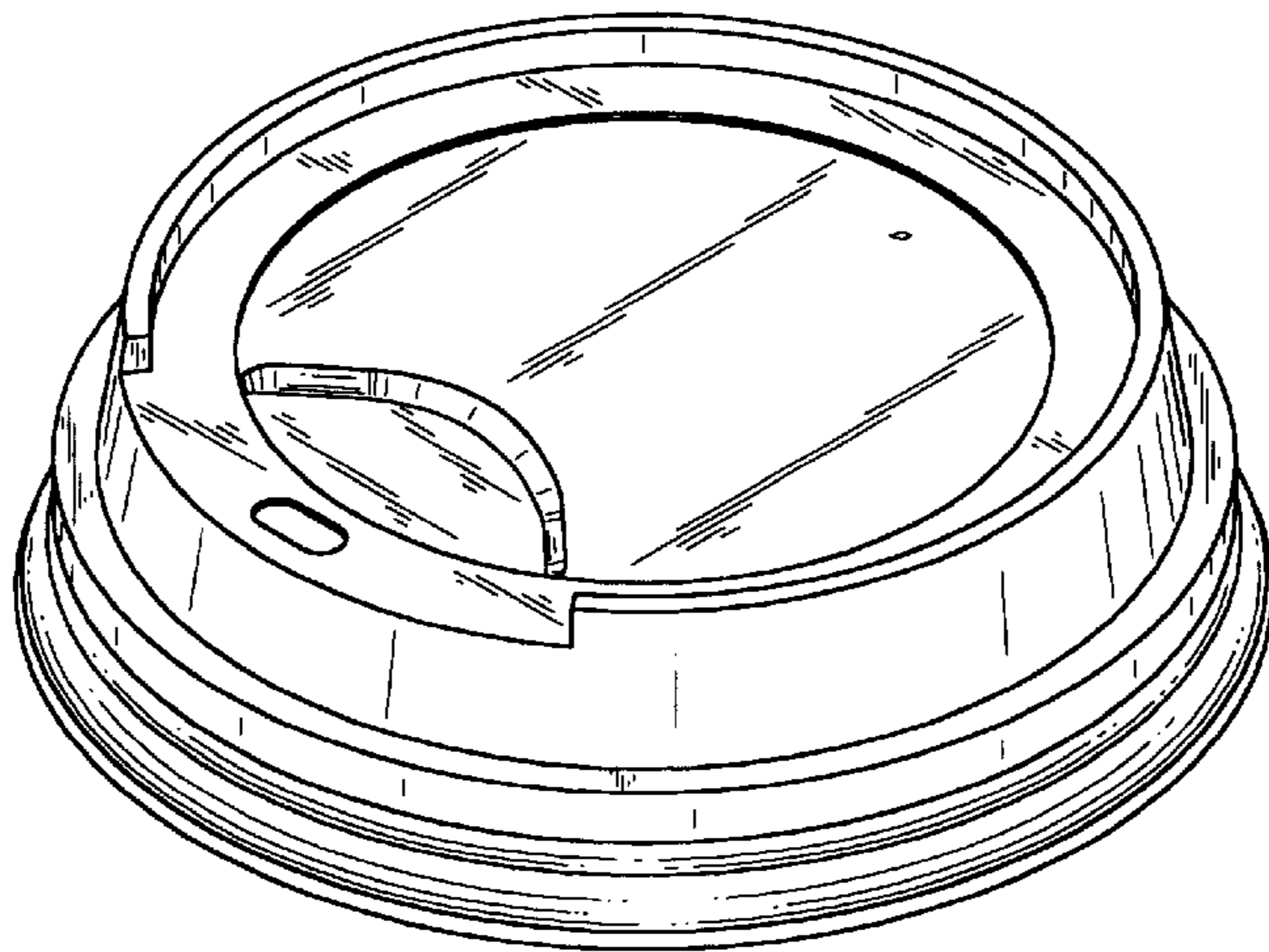


FIG. 1

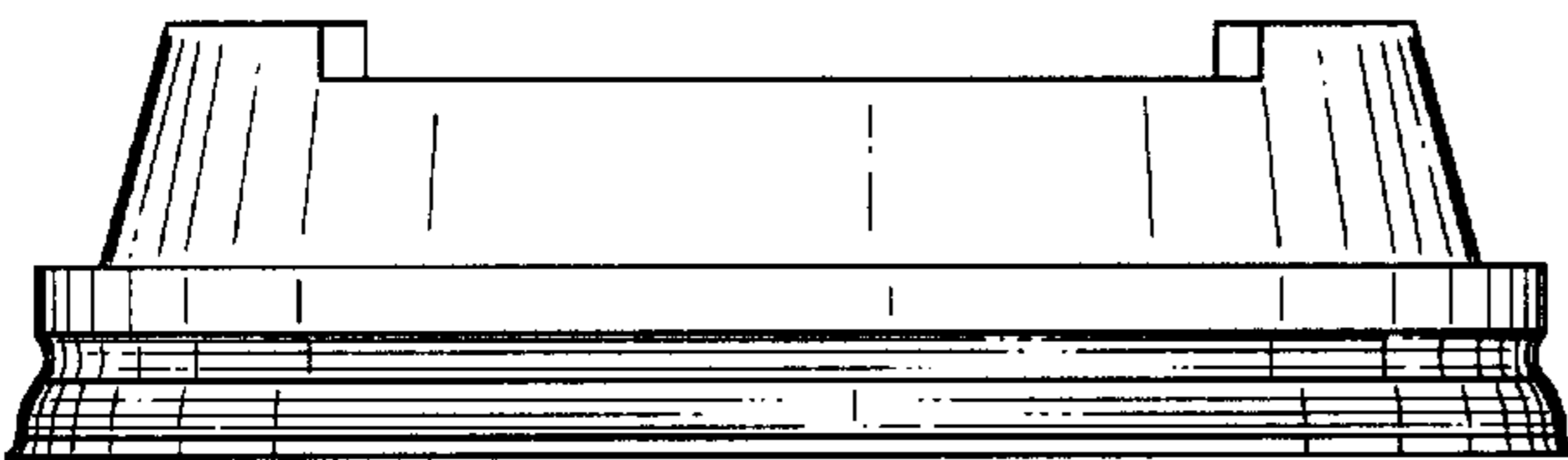


FIG. 2

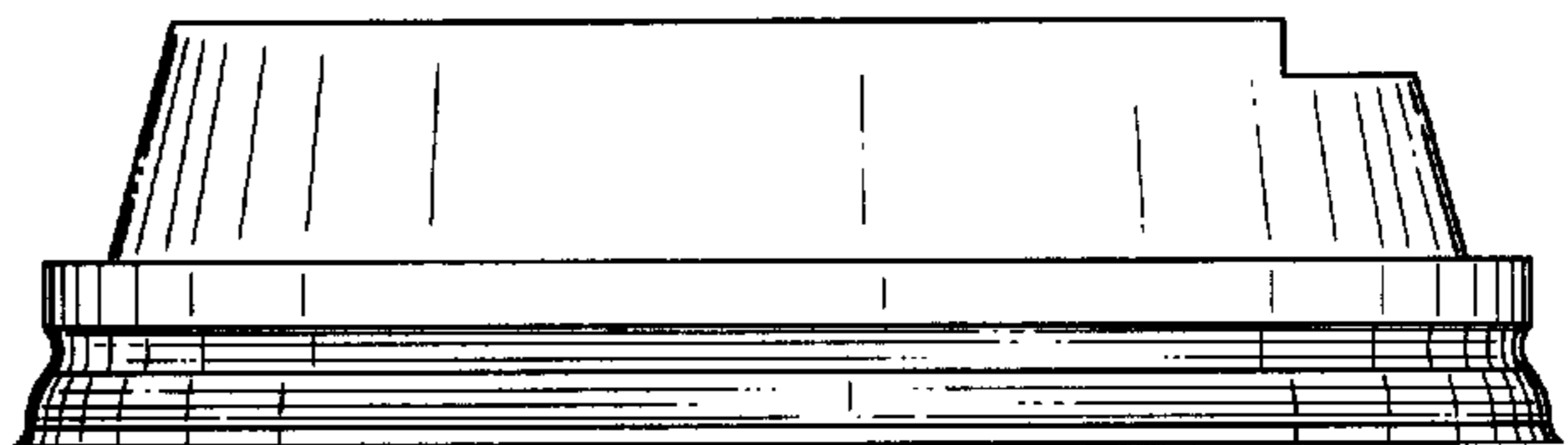


FIG. 3

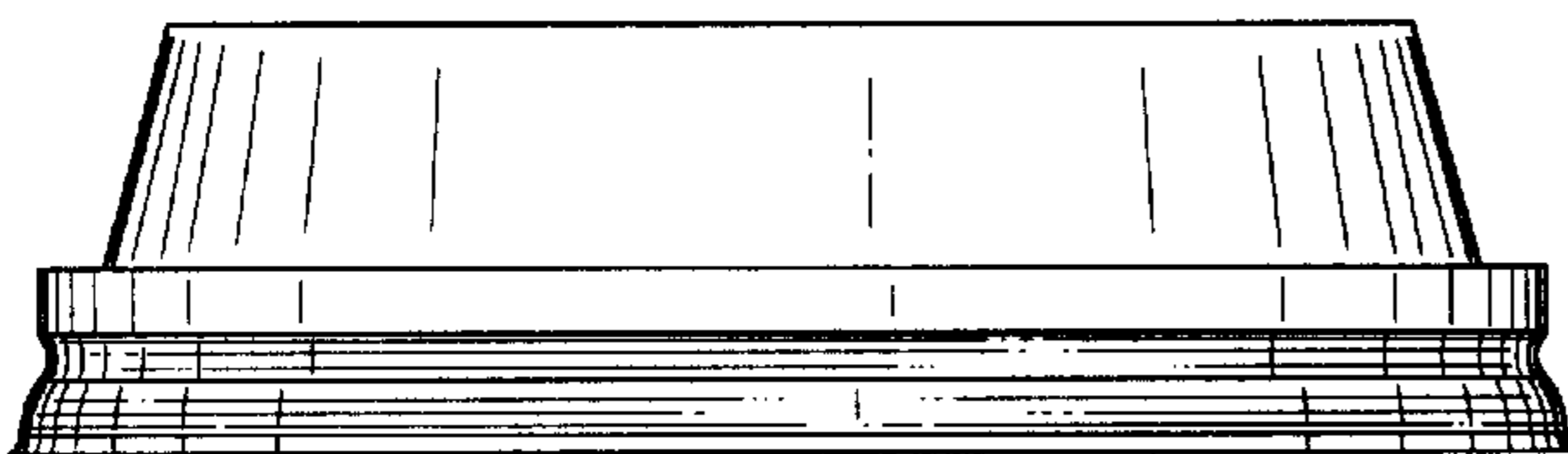


FIG. 4

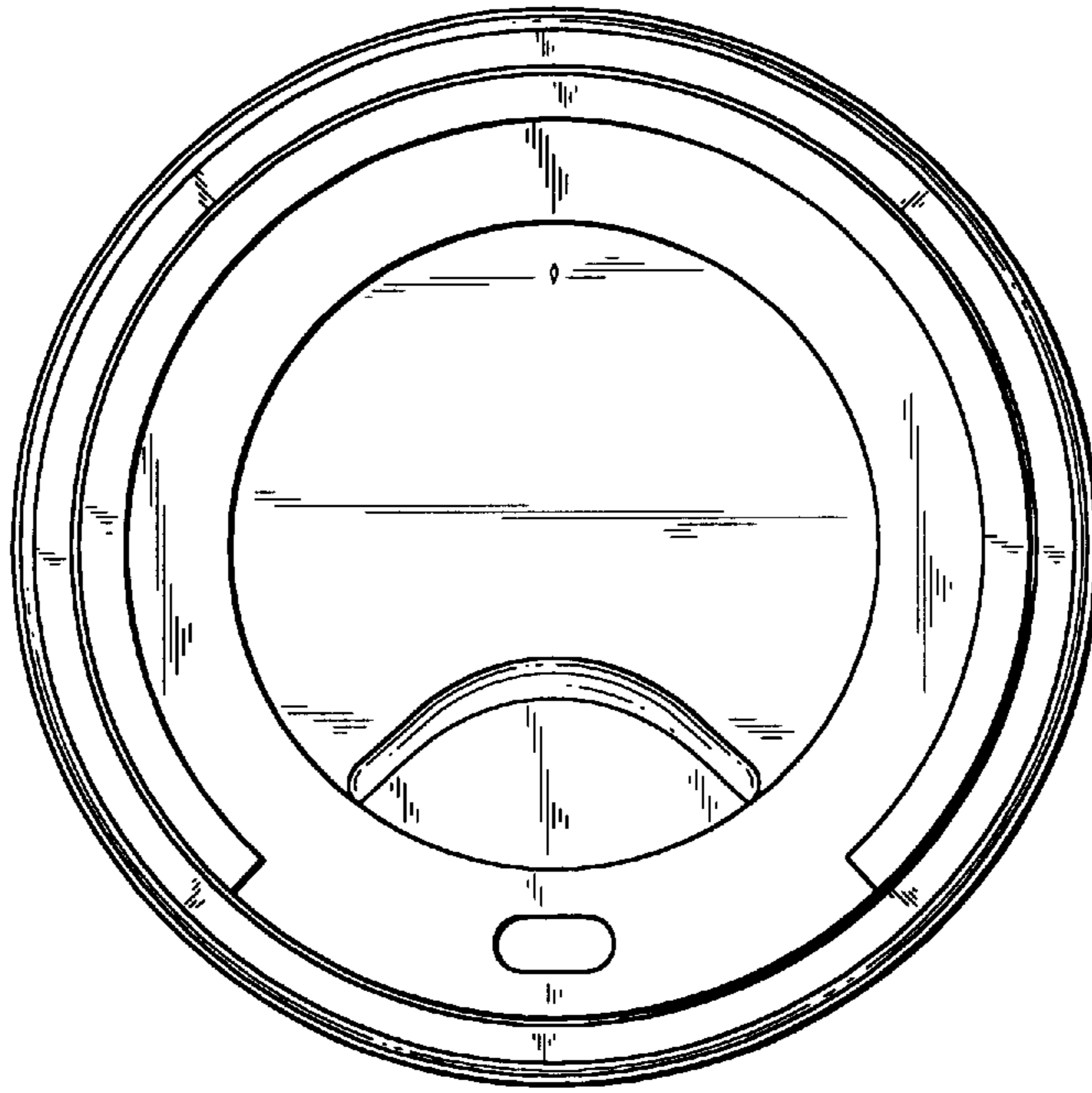


FIG. 5

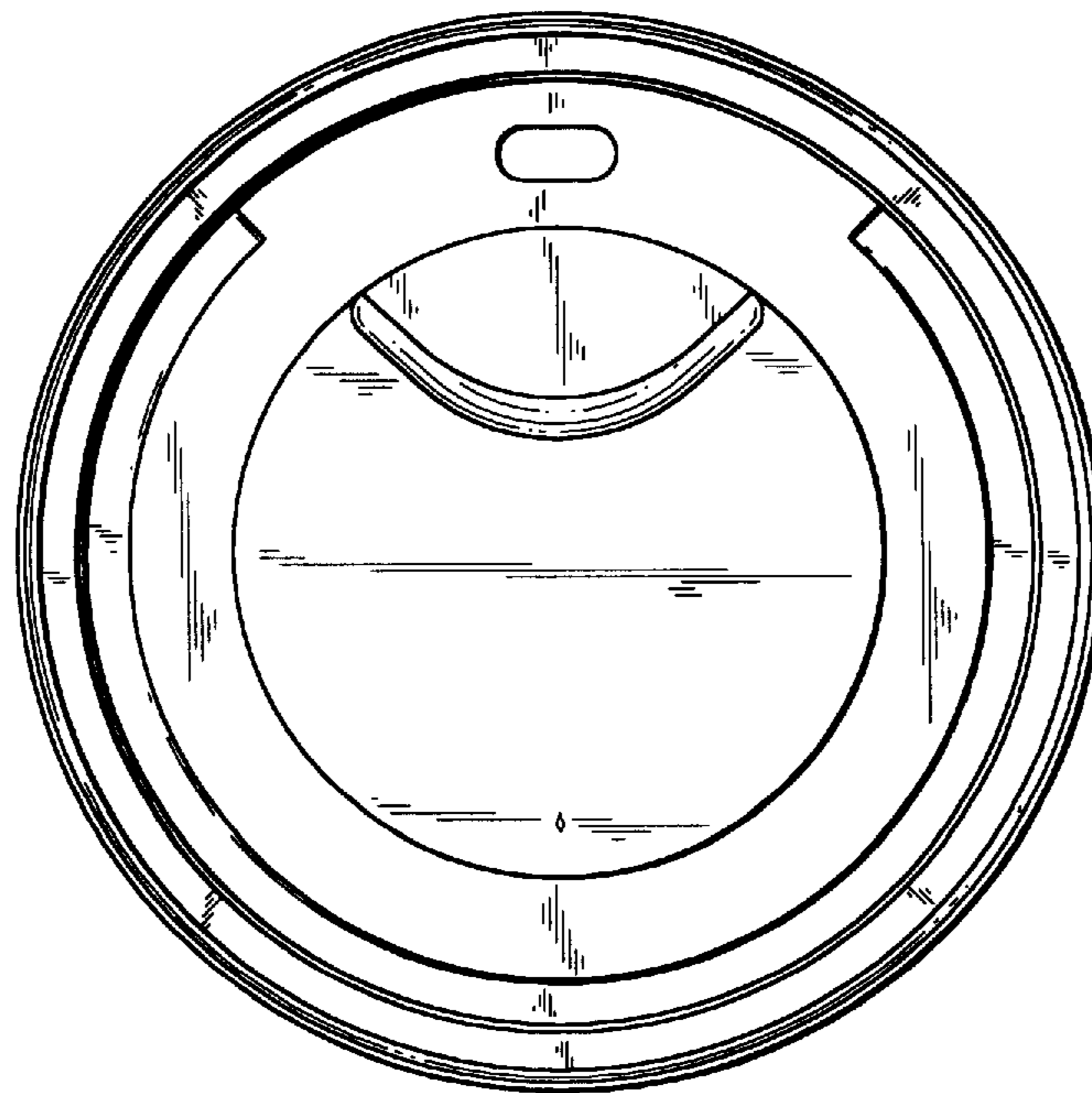


FIG. 6