



US00D402551S

United States Patent [19]
Nesbitt

[11] **Patent Number: Des. 402,551**

[45] **Date of Patent: **Dec. 15, 1998**

[54] **FOLDING HOLIDAY DECORATION ORGANIZER**

[76] Inventor: **Christine Nesbitt**, 716 Evergreen Rd., St. Marys, Pa. 15857

[**] Term: **14 Years**

[21] Appl. No.: **80,586**

[22] Filed: **Dec. 11, 1997**

[51] **LOC (6) Cl.** **09-03**

[52] **U.S. Cl.** **D9/341**

[58] **Field of Search** D3/201, 276, 291, D3/299; D9/341, 346, 347, 348, 414, 415; 206/338, 526, 747, 748, 749, 750

[56] **References Cited**

U.S. PATENT DOCUMENTS

D. 344,409	2/1994	Meredith	D9/276
D. 373,020	8/1996	Martin	D3/276 X
2,685,882	8/1954	Martin	206/750
3,123,208	3/1964	Barnum et al.	206/748
3,769,741	11/1973	Hessler et al.	206/750
4,896,776	1/1990	Kabanuk et al.	206/449 X

Primary Examiner—Ted Shooman
Assistant Examiner—Nanda Bondade

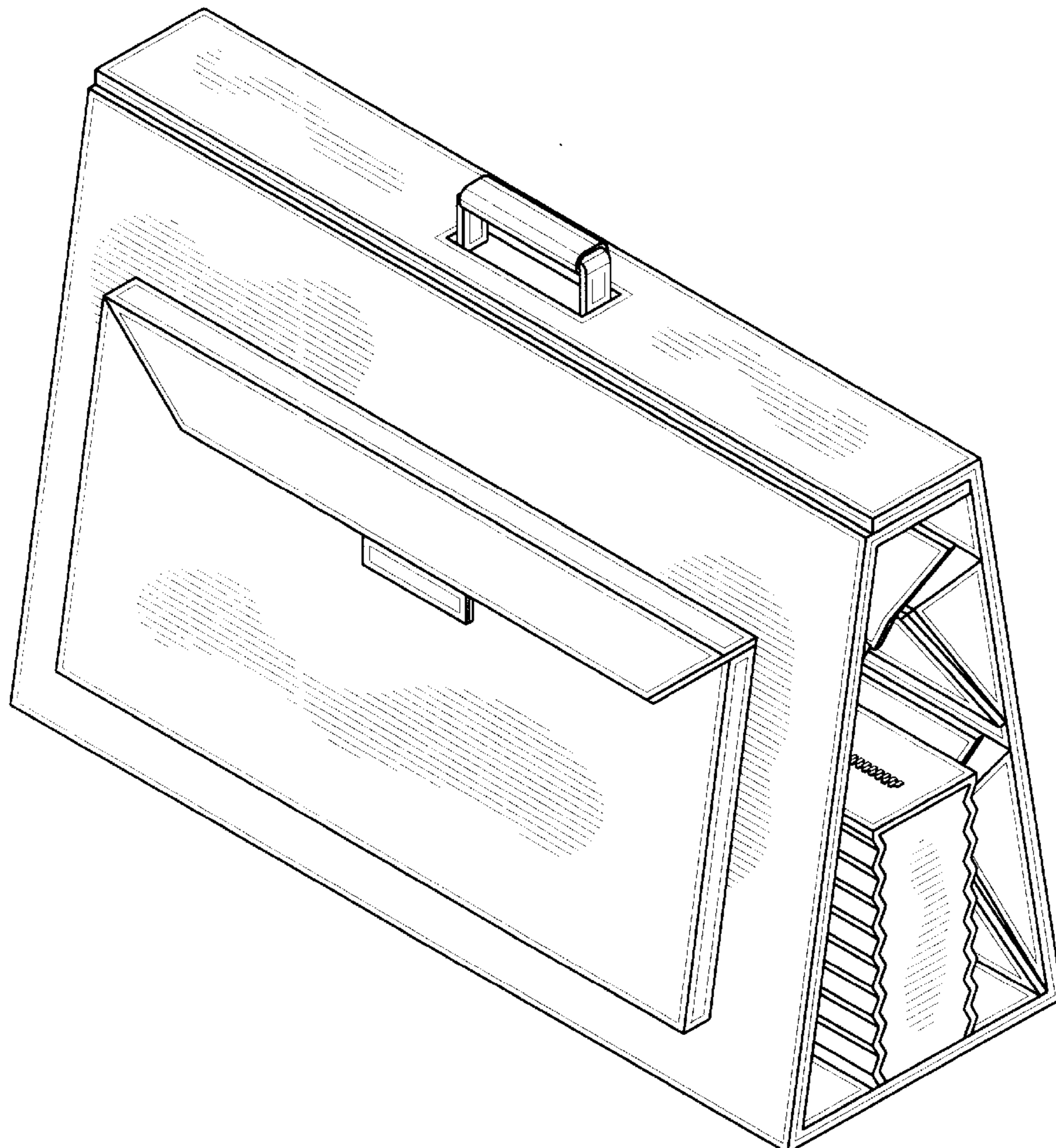
[57] **CLAIM**

The ornamental design for a folding holiday decoration organizer, as shown and described.

DESCRIPTION

FIG. 1 is a top plan view of the folding holiday decoration organizer of the present invention; FIG. 2 is a bottom plan view of the folding holiday decoration organizer of FIG. 1, the broken line showing of the writing is for illustrative purposes only and forms no part of the claimed design; FIG. 3 is a left side elevational view of the folding holiday decoration organizer of FIG. 1; FIG. 4 is a right side elevational view of the folding holiday decoration organizer of FIG. 1; FIG. 5 is a front elevational view of the folding holiday decoration organizer of FIG. 1; FIG. 6 is a back elevational view of the folding holiday decoration organizer of FIG. 1; and, FIG. 7 is a perspective view of the folding holiday decoration organizer of FIG. 1, shown in a closed position.

1 Claim, 4 Drawing Sheets



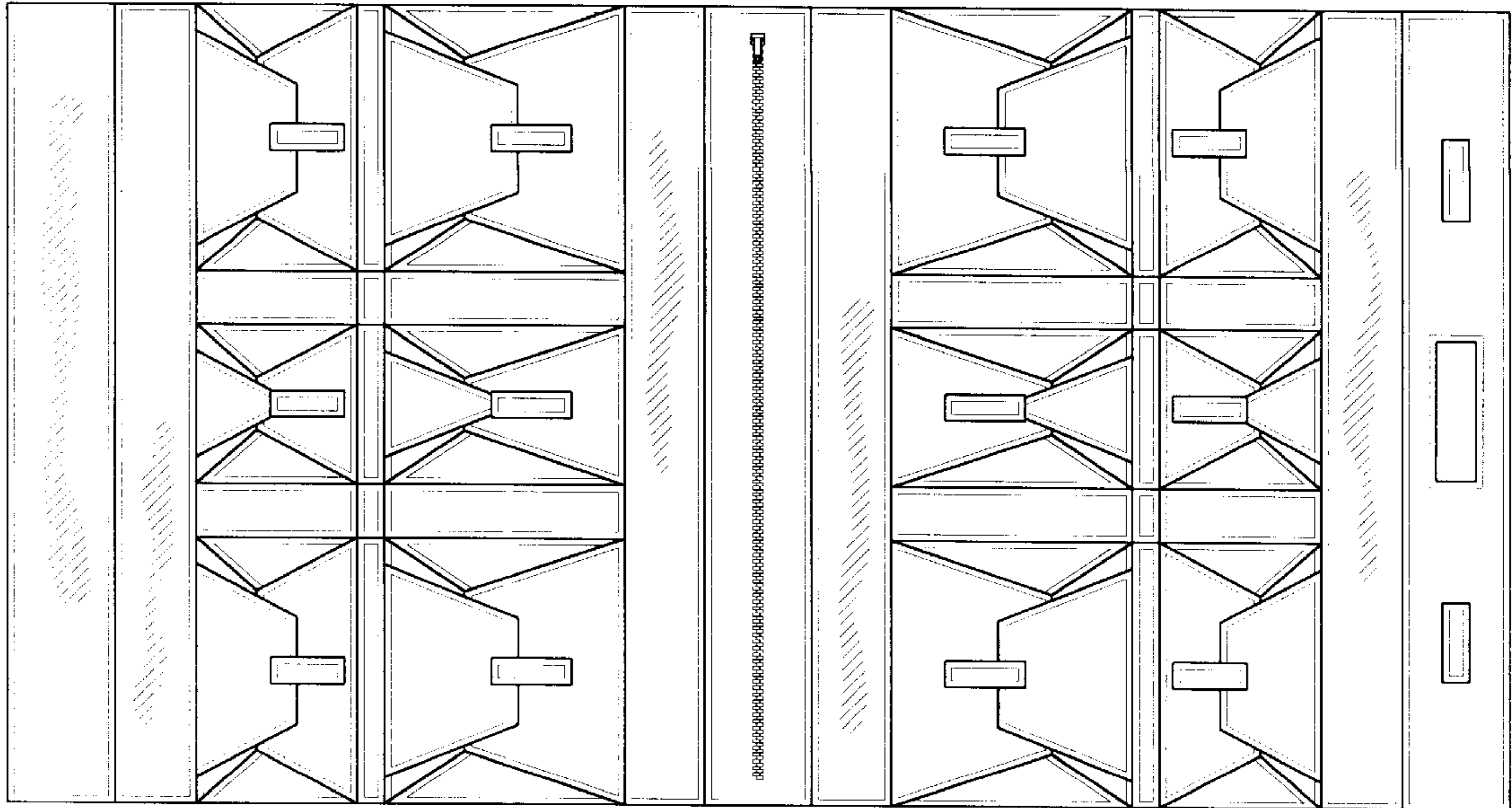


Fig. 1

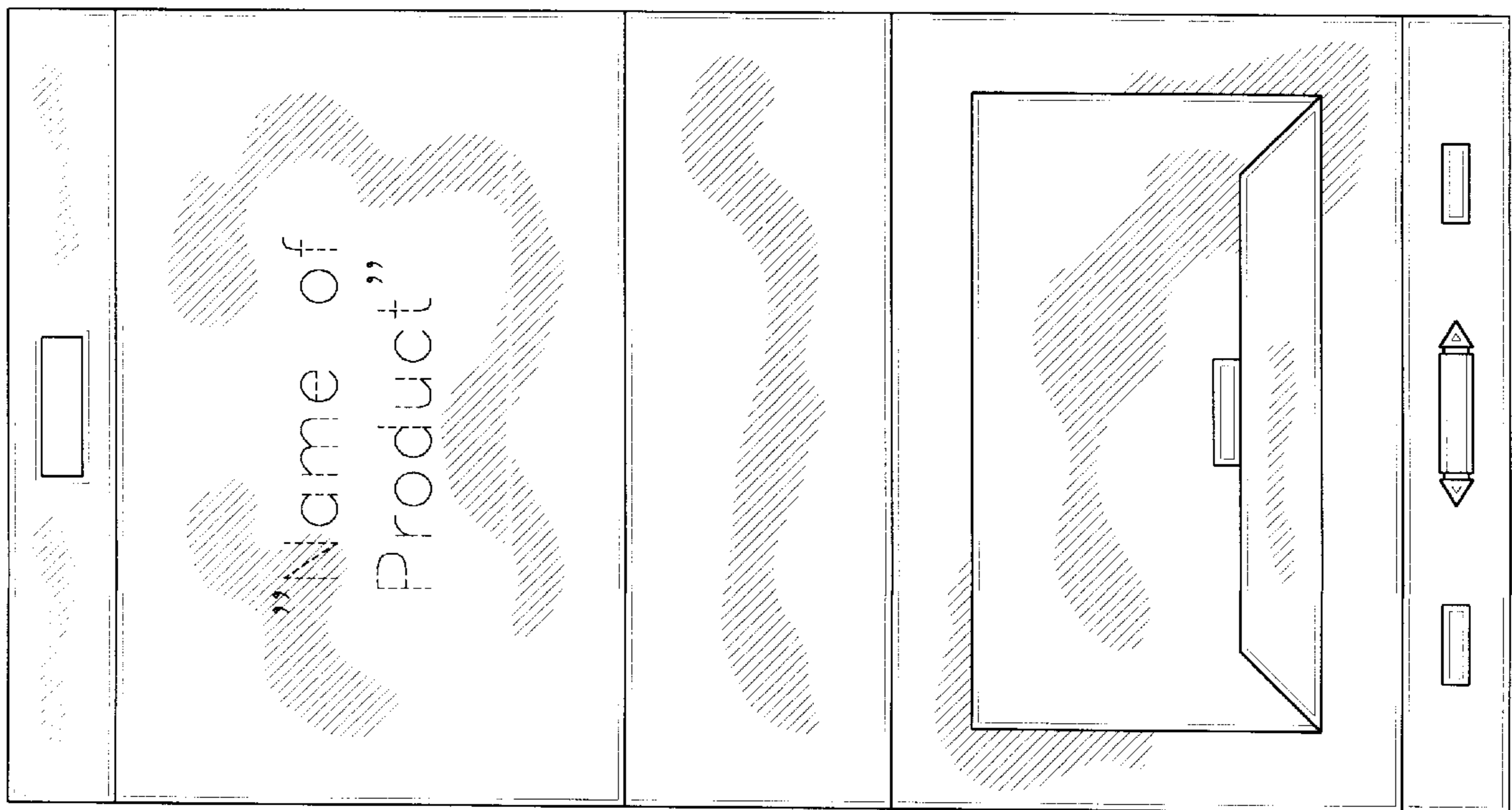


Fig. 2

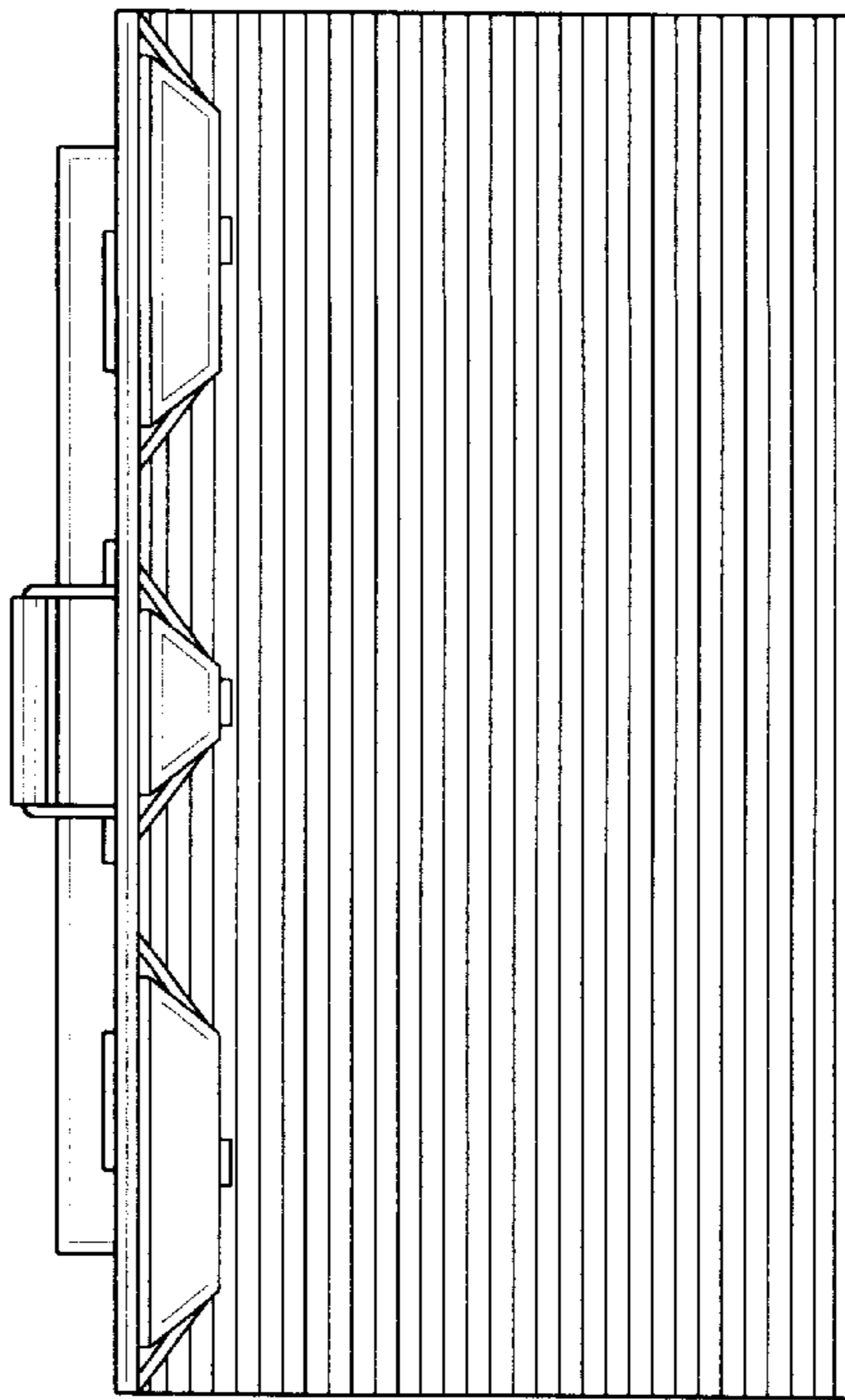


Fig. 3

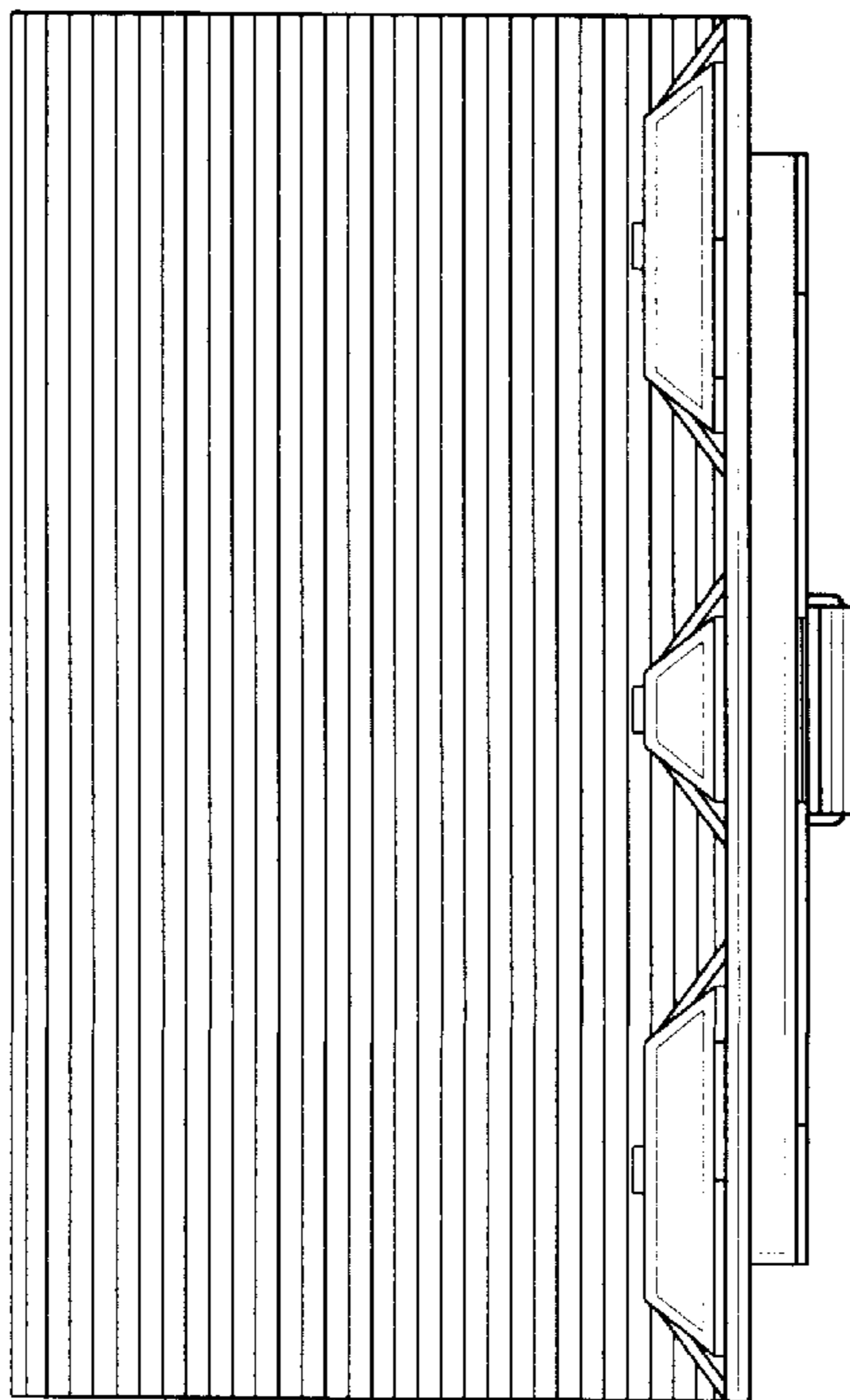


Fig. 4

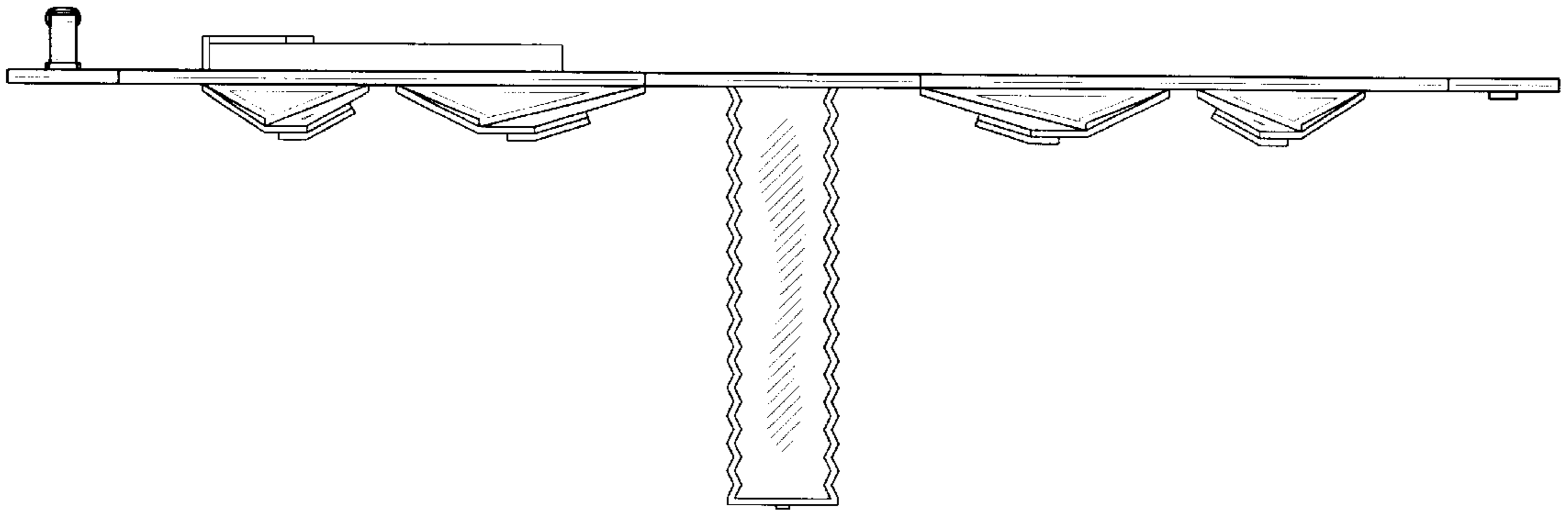


Fig. 5

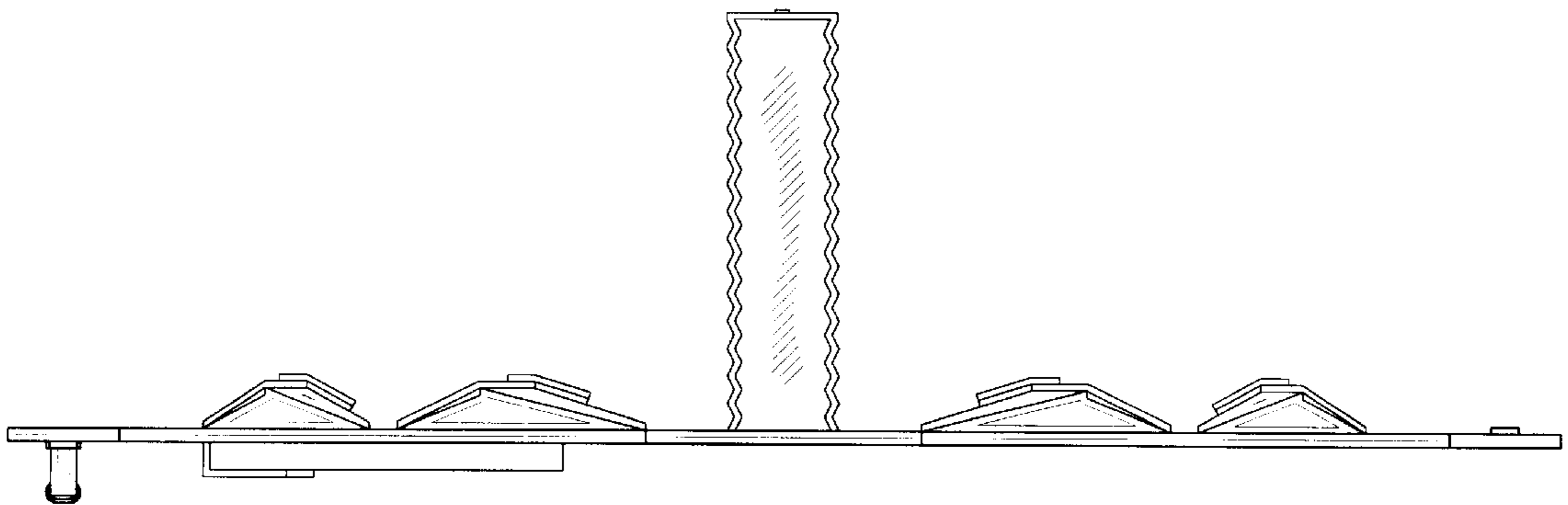


Fig. 6

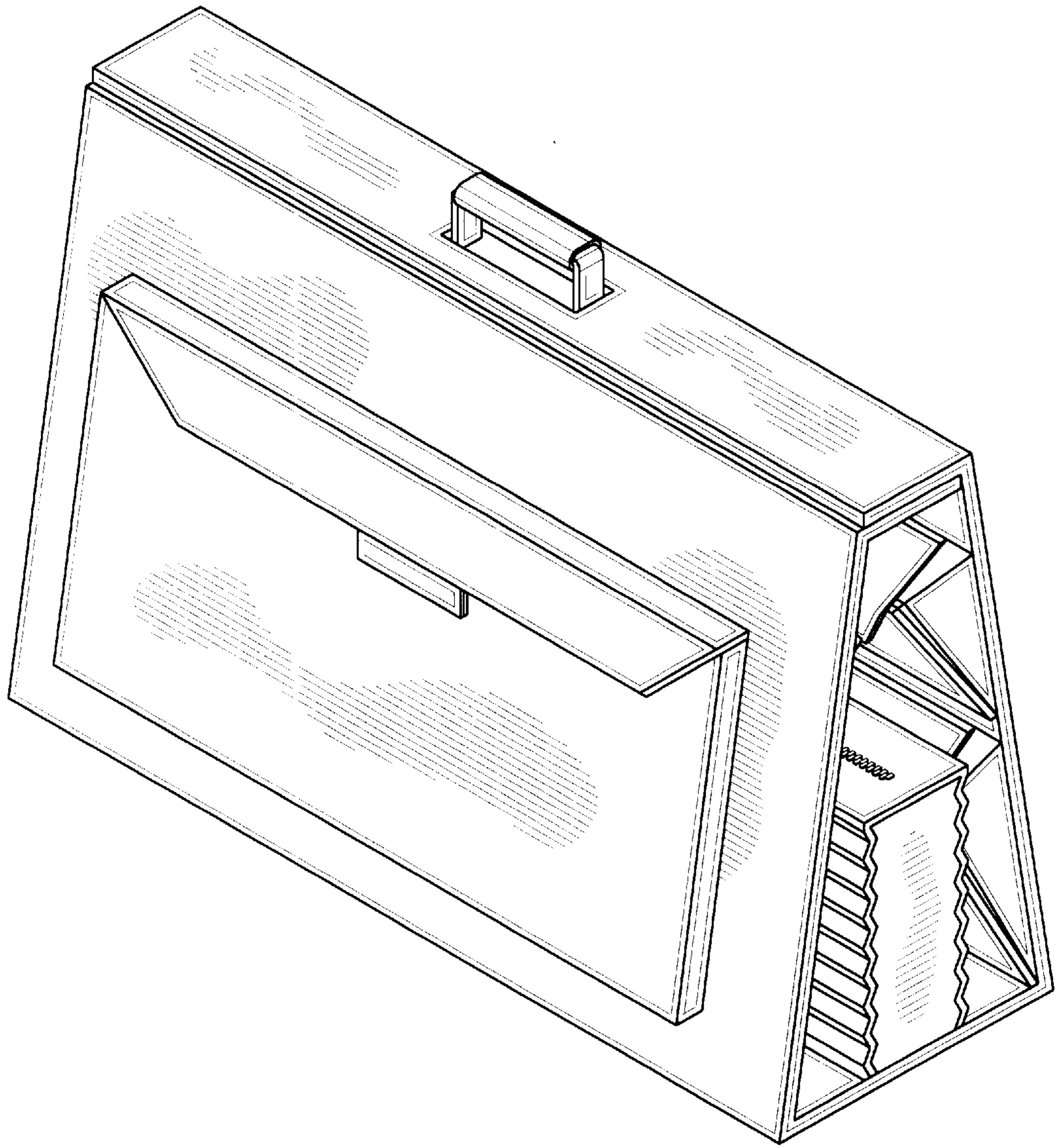


Fig. 7