

US00D402550S

**United States Patent** [19]  
**Poisson**

[11] **Patent Number: Des. 402,550**  
[45] **Date of Patent: \*\*Dec. 15, 1998**

[54] **COSMETIC DISPENSER**

[75] Inventor: **Norman D. Poisson**, Andover, Mass.

[73] Assignee: **The Gillette Company**, Boston, Mass.

[\*\*] Term: **14 Years**

[21] Appl. No.: **79,553**

[22] Filed: **Nov. 19, 1997**

[51] **LOC (6) Cl.** ..... **09-07**

[52] **U.S. Cl.** ..... **D9/338**

[58] **Field of Search** ..... D9/337-339, 503,  
D9/517-520, 529, 571-575; D28/7, 76,  
82; 401/95, 172, 175, 176, 179, 209, 213

[56] **References Cited**

**U.S. PATENT DOCUMENTS**

- D. 279,650 7/1985 Aldrich, III et al. .... D9/529
- D. 293,034 12/1987 DuCret ..... D9/529 X
- D. 317,118 5/1991 Crawford ..... D9/338
- D. 330,860 11/1992 Gatrost ..... D9/338 X

- D. 346,112 4/1994 Alcindor ..... D9/338
- D. 385,779 11/1997 Sokol et al. .... D9/338
- 4,840,511 6/1989 Fattori et al. .... 401/213
- 5,051,016 9/1991 Bengston ..... 401/213

*Primary Examiner*—Ted Shooman  
*Assistant Examiner*—Nanda Bondade  
*Attorney, Agent, or Firm*—Stephan P. Williams

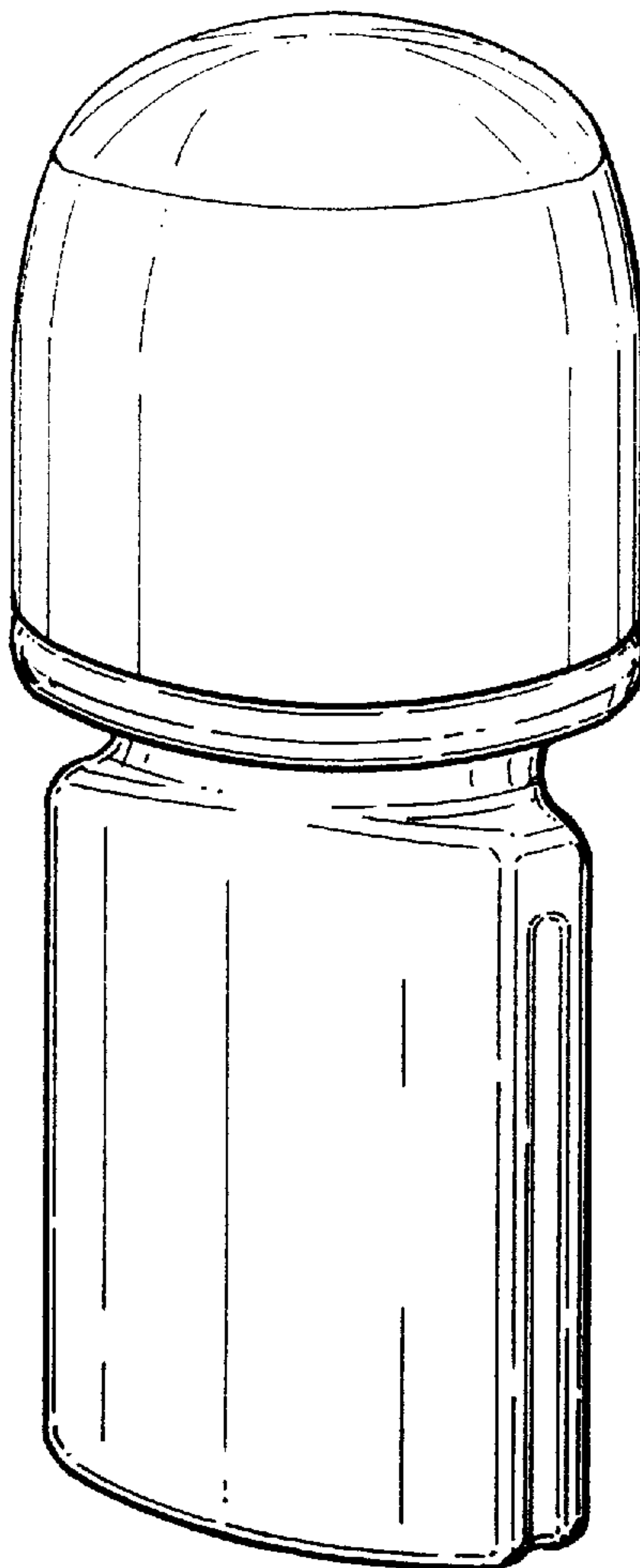
[57] **CLAIM**

The ornamental design for a cosmetic dispenser, as shown and described.

**DESCRIPTION**

FIG. 1 is a perspective view as seen from the top, front and right side of a cosmetic dispenser showing my new design; FIG. 2 is a front elevational view thereof, the rear elevation being a mirror image thereof; FIG. 3 is a right side elevational view thereof, the left side elevation being a mirror image thereof; FIG. 4 is a top plan view thereof; and, FIG. 5 is a bottom plan view thereof.

**1 Claim, 1 Drawing Sheet**



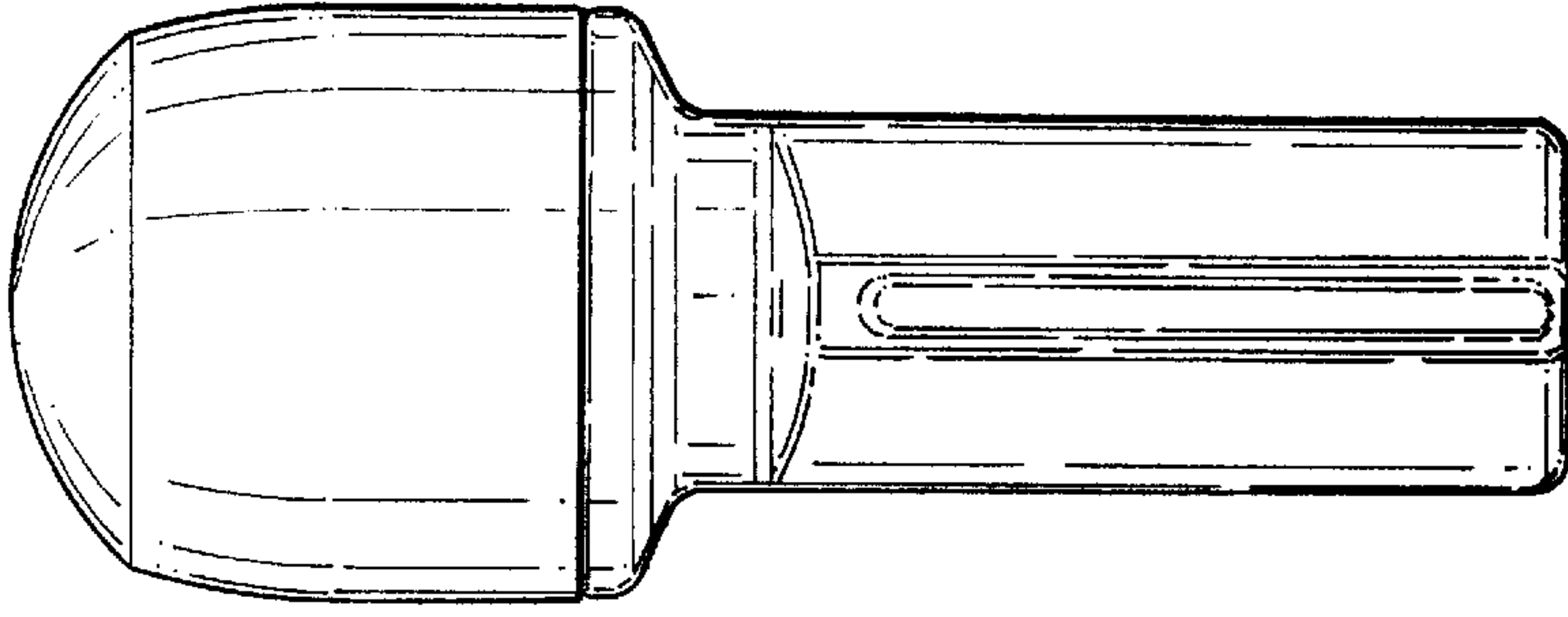


FIG. 3

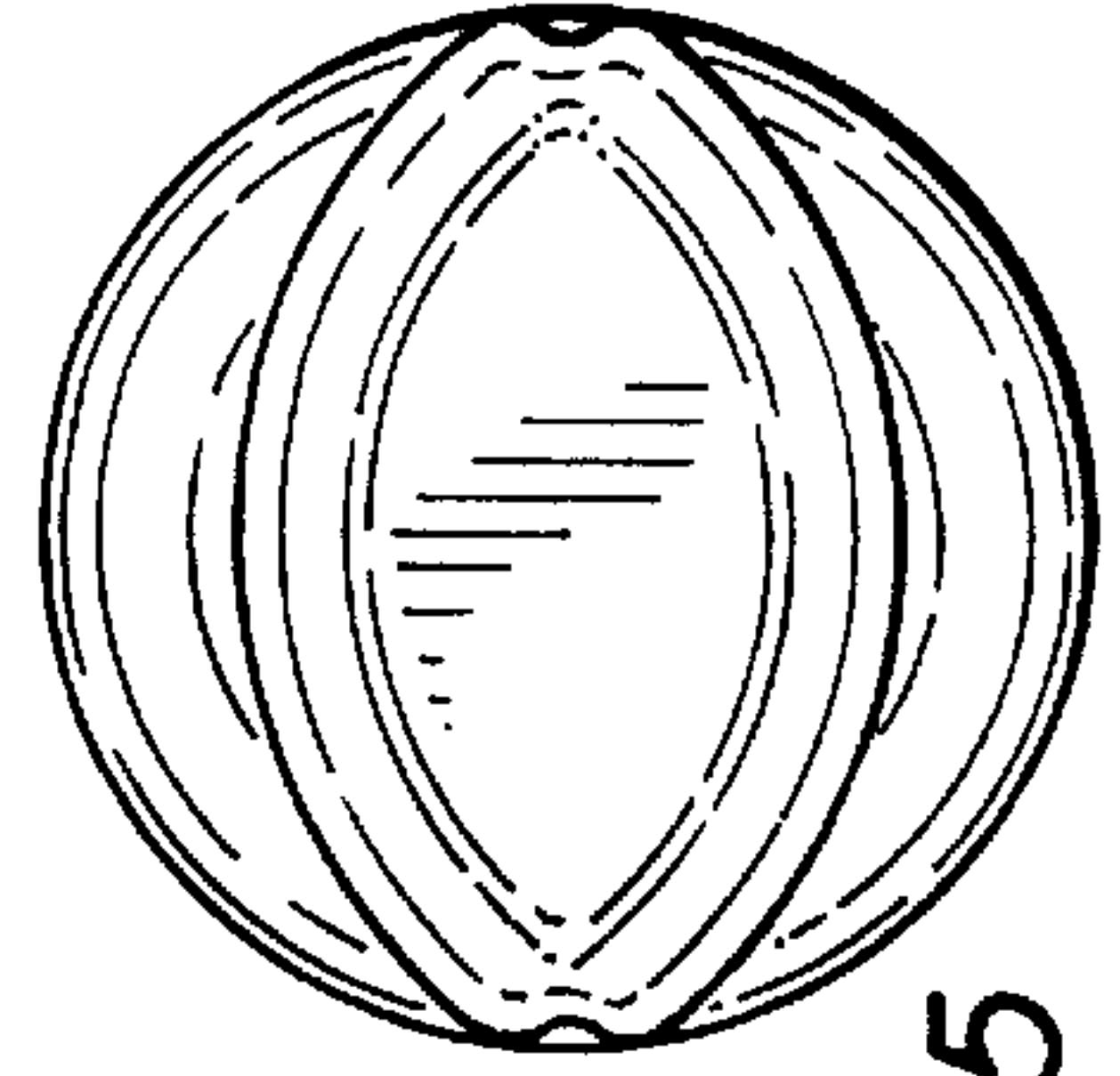


FIG. 5

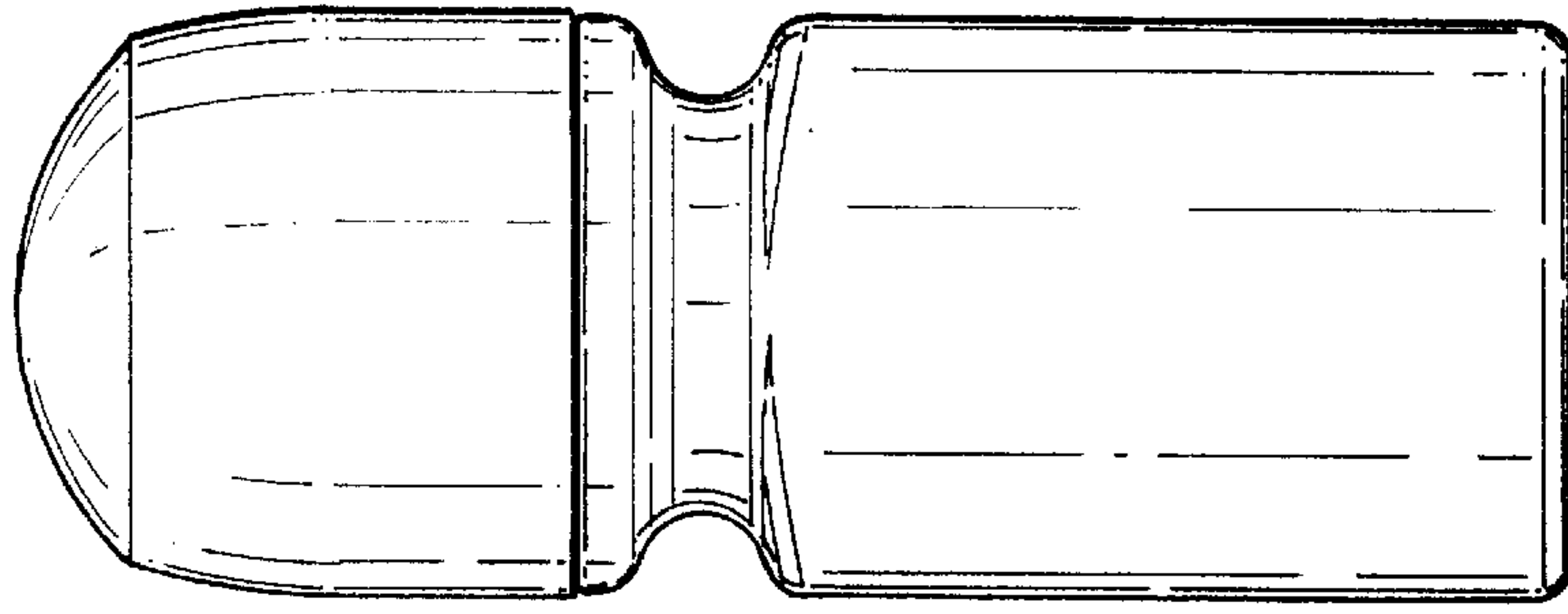


FIG. 2

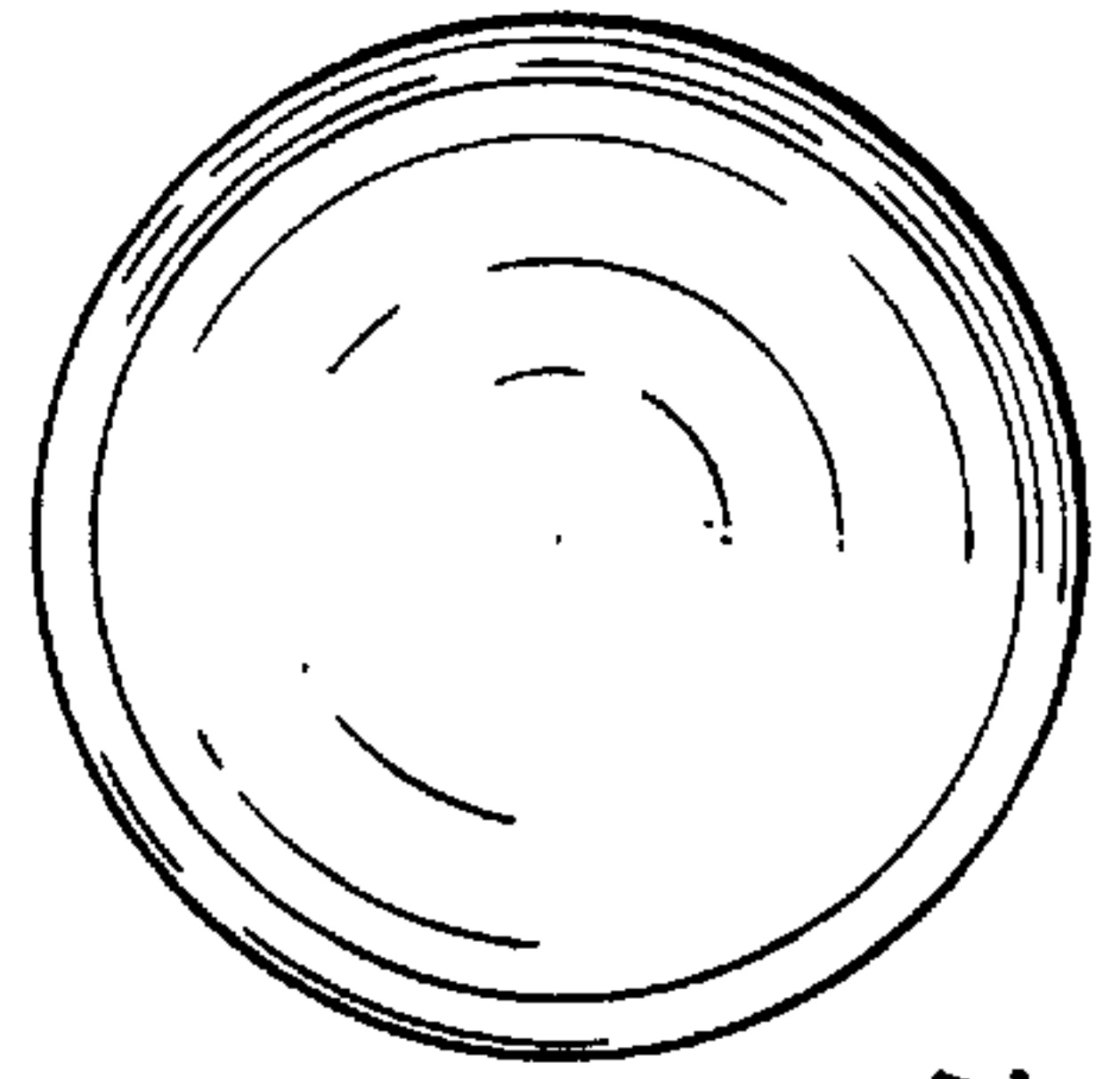


FIG. 4

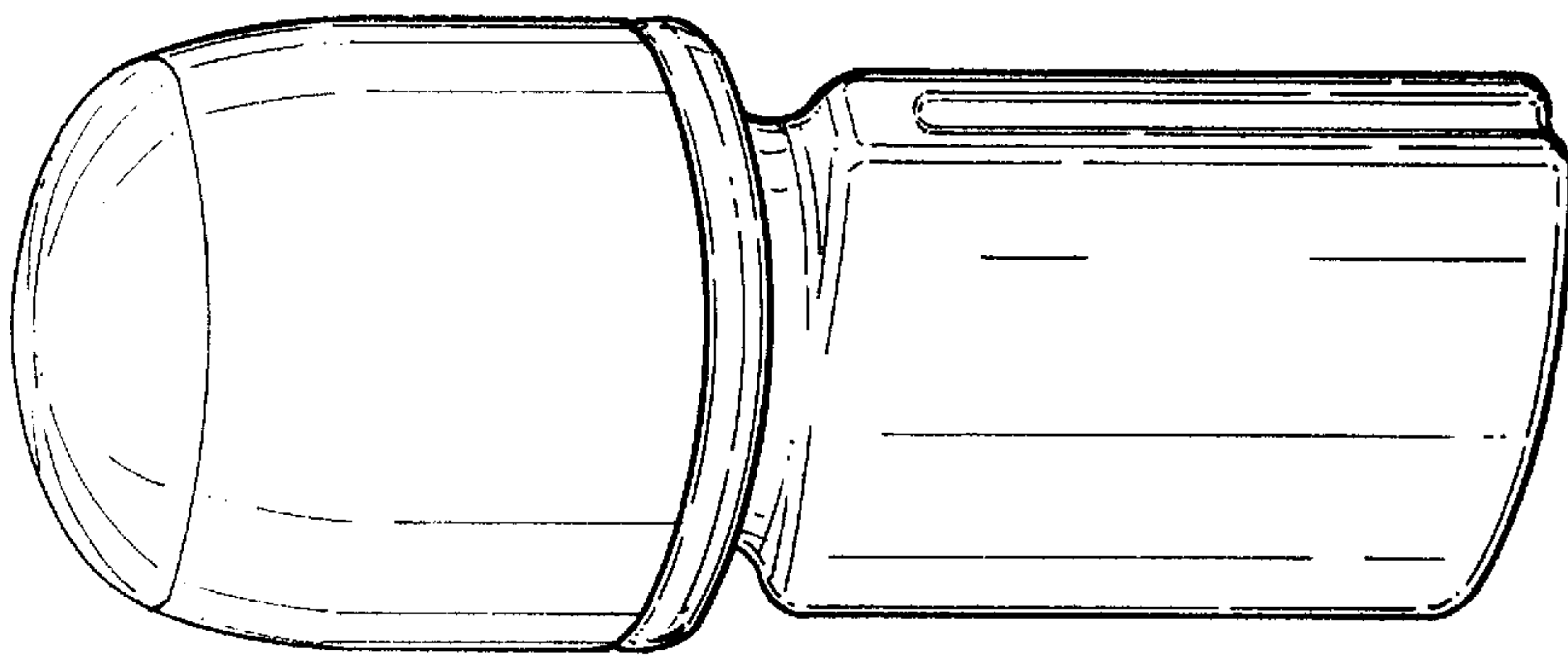


FIG. 1