



US00D402536S

United States Patent [19]
Cousins

[11] **Patent Number: Des. 402,536**

[45] **Date of Patent: **Dec. 15, 1998**

[54] **SUPPORT BRACKET**

2,884,478 4/1959 Becker et al. 174/94 R
5,697,129 2/1995 Neville 24/339

[75] Inventor: **Morison S. Cousins**, Winter Park, Fla.

Primary Examiner—Holly Baynham
Attorney, Agent, or Firm—John A. Doninger

[73] Assignee: **Dart Industries Inc.**, Orlando, Fla.

[**] Term: **14 Years**

[57] **CLAIM**

[21] Appl. No.: **80,451**

The ornamental design for a support bracket, as shown and described.

[22] Filed: **Dec. 10, 1997**

DESCRIPTION

[51] **LOC (6) Cl.** **08-05**

[52] **U.S. Cl.** **D8/354**

[58] **Field of Search** D8/354, 394-396,
D8/356; 248/49, 62, 68.1, 74.1-74.4; 24/336,
339, 546; 174/94 R

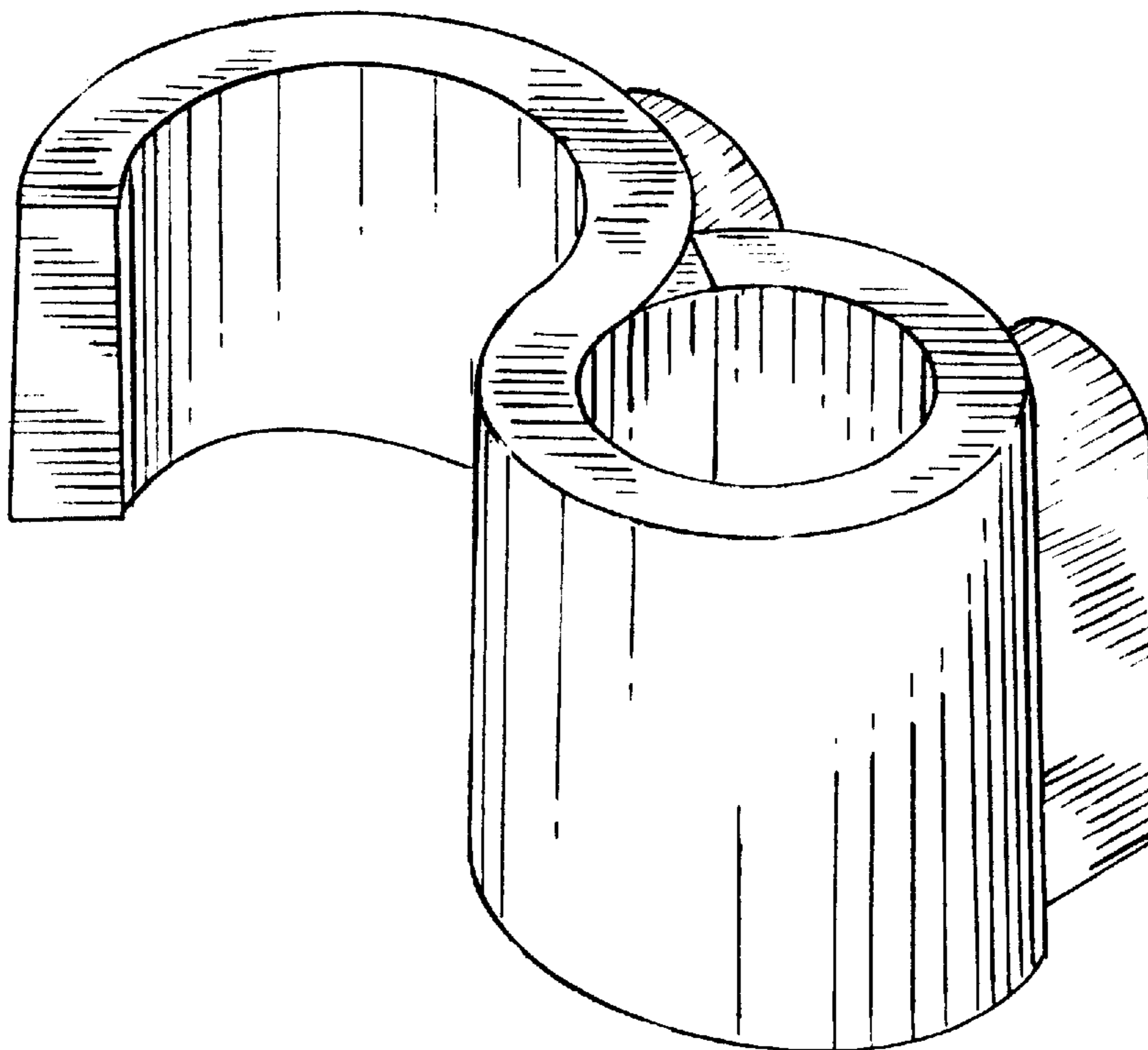
FIG. 1 is a top, front and side perspective view of a support bracket showing my new design;
FIG. 2 is a left side elevation view thereof;
FIG. 3 is a right side elevation view thereof;
FIG. 4 is a top plan view thereof;
FIG. 5 is a bottom plan view thereof;
FIG. 6 is a front elevation view thereof; and,
FIG. 7 is a rear side elevation view thereof.

[56] **References Cited**

U.S. PATENT DOCUMENTS

D. 267,231 12/1982 Green, Jr. D8/395

1 Claim, 3 Drawing Sheets



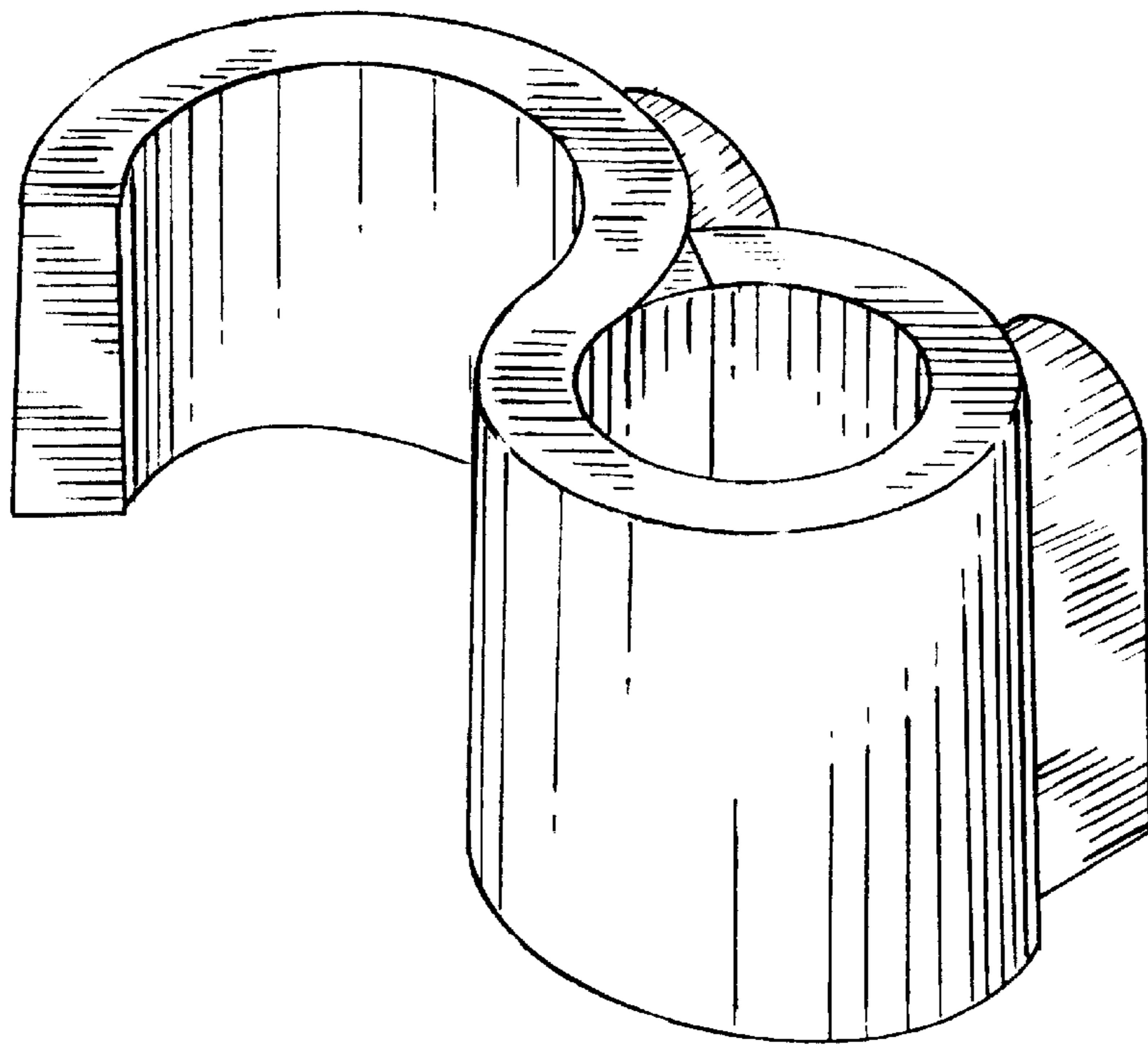


FIG. 1

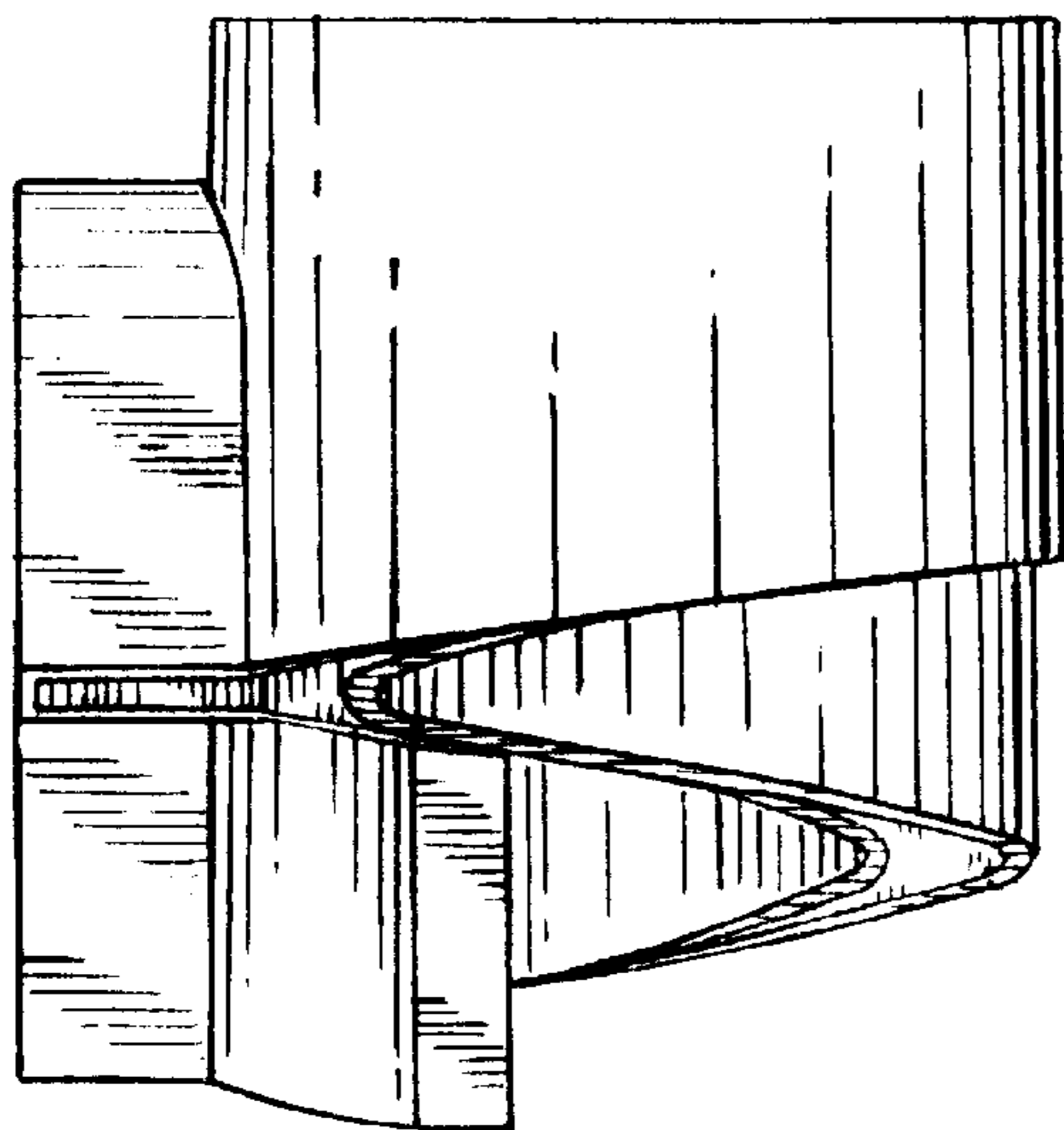


FIG. 2

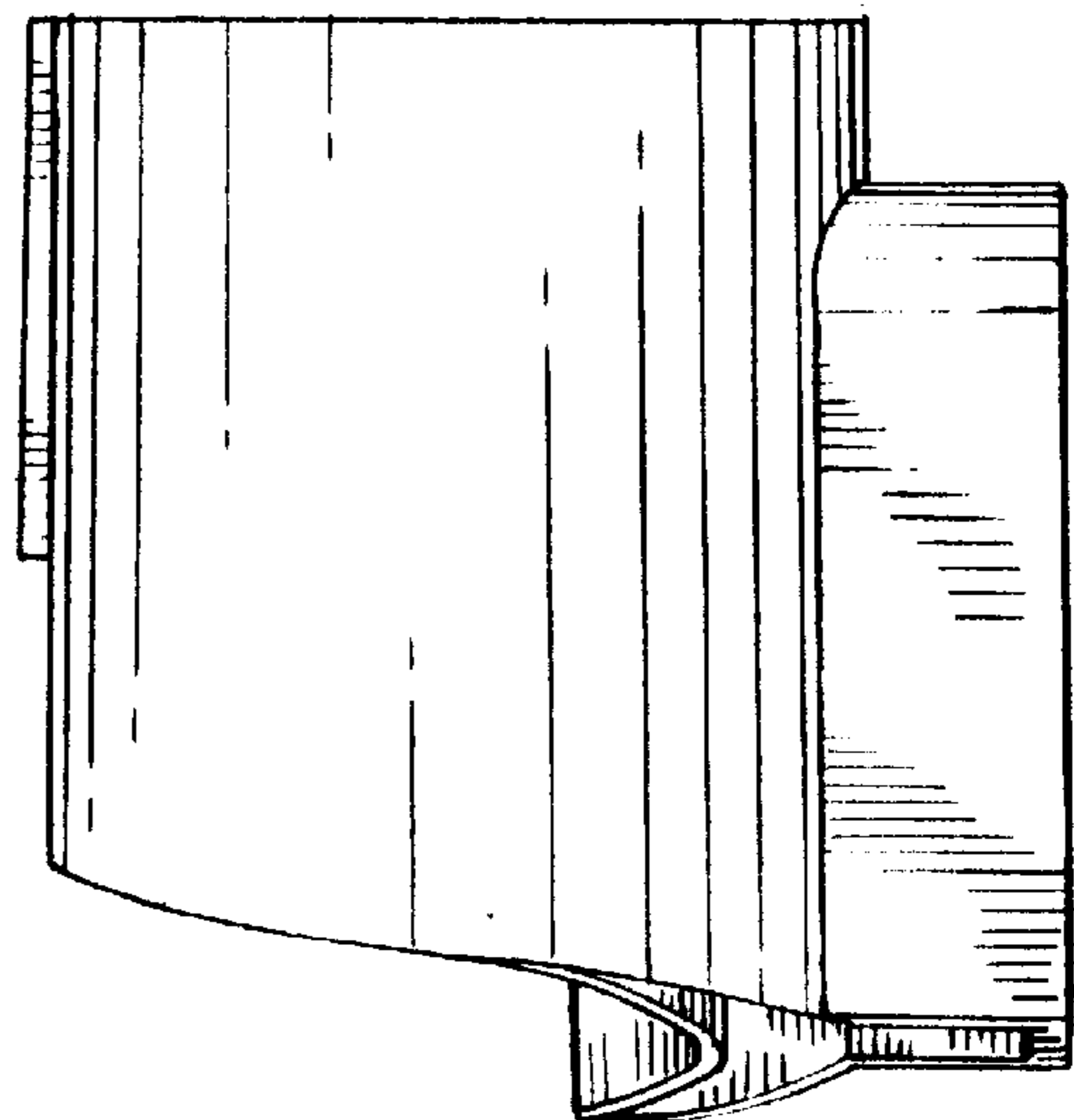


FIG. 3

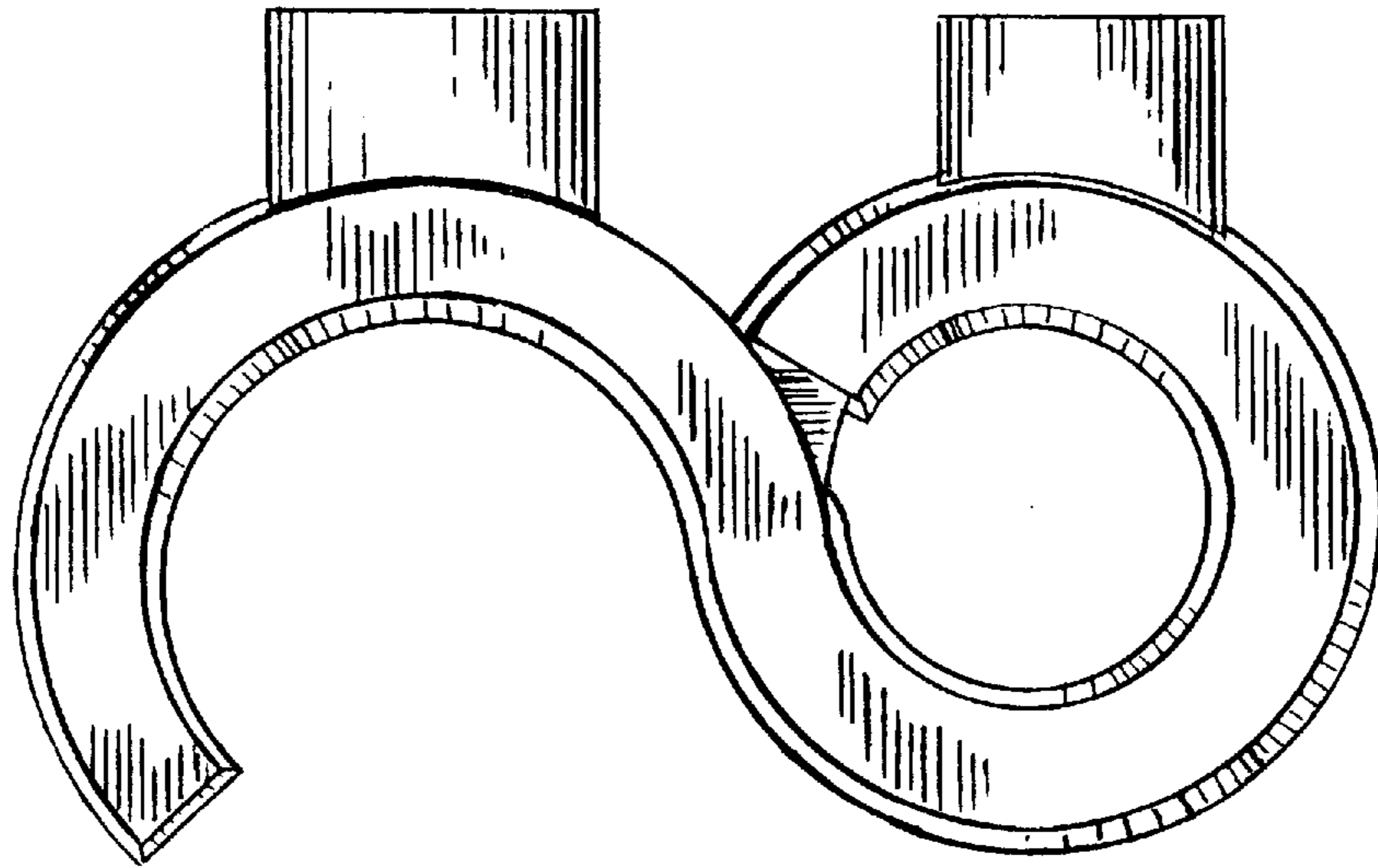


FIG. 4

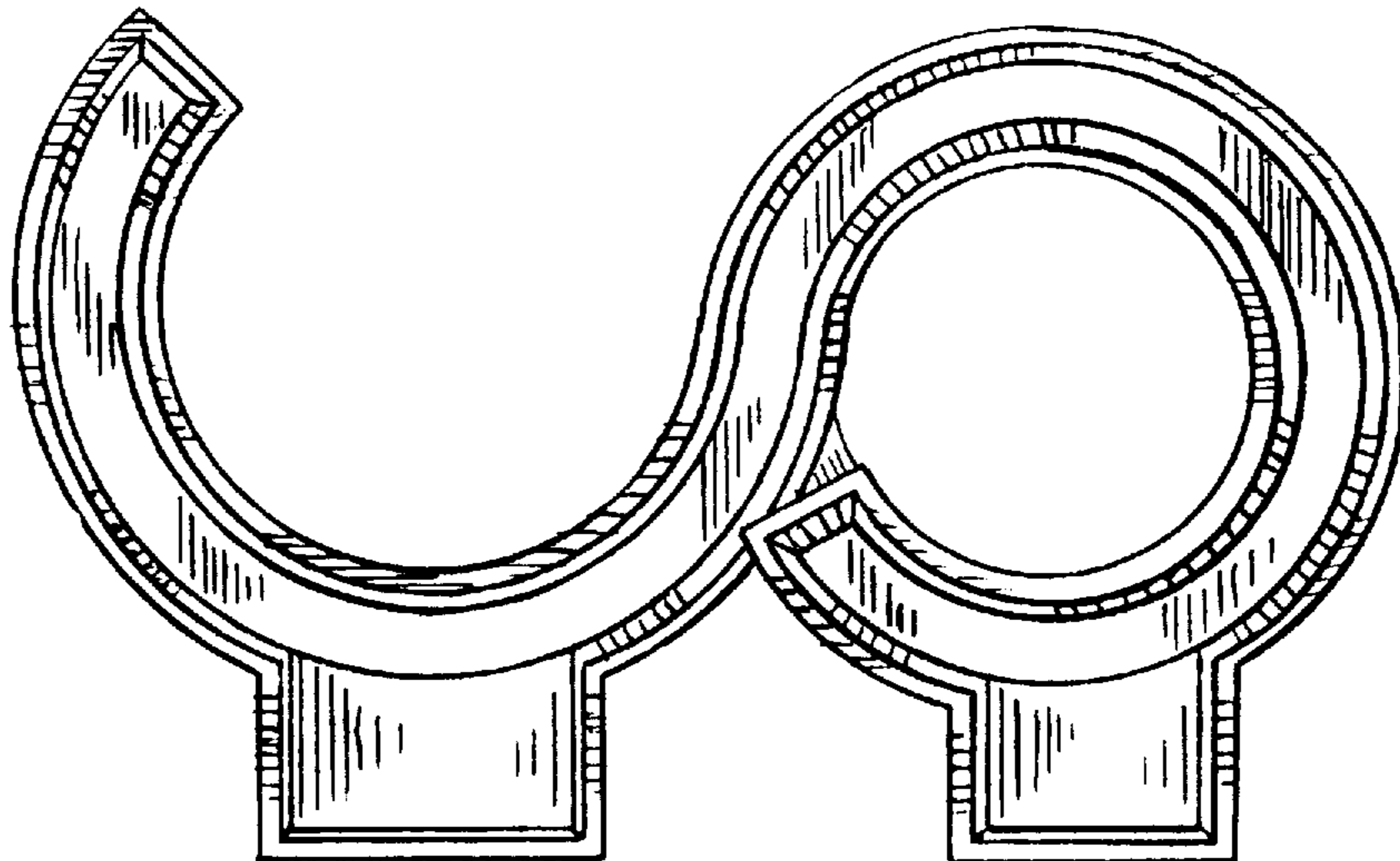


FIG. 5

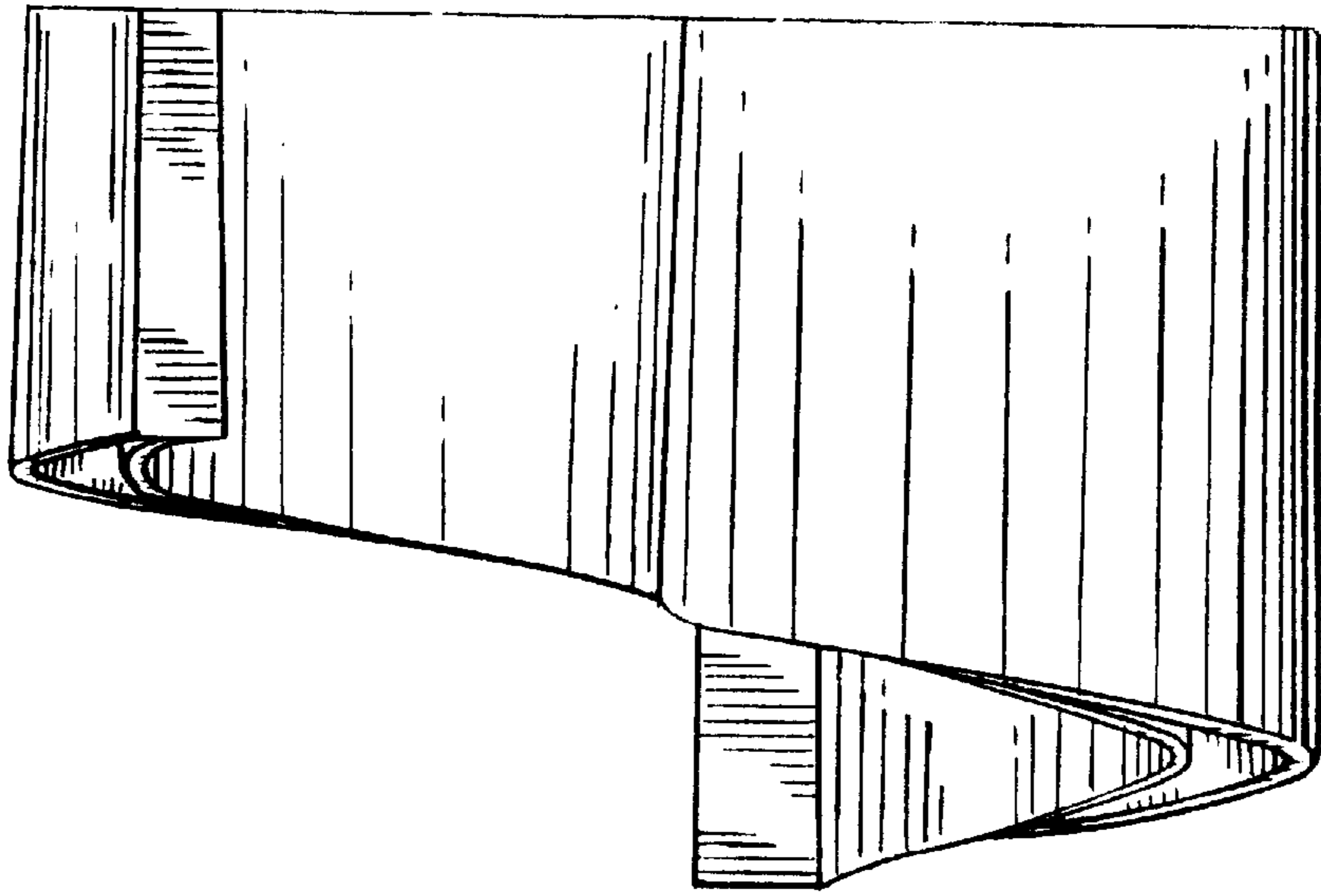


FIG. 6

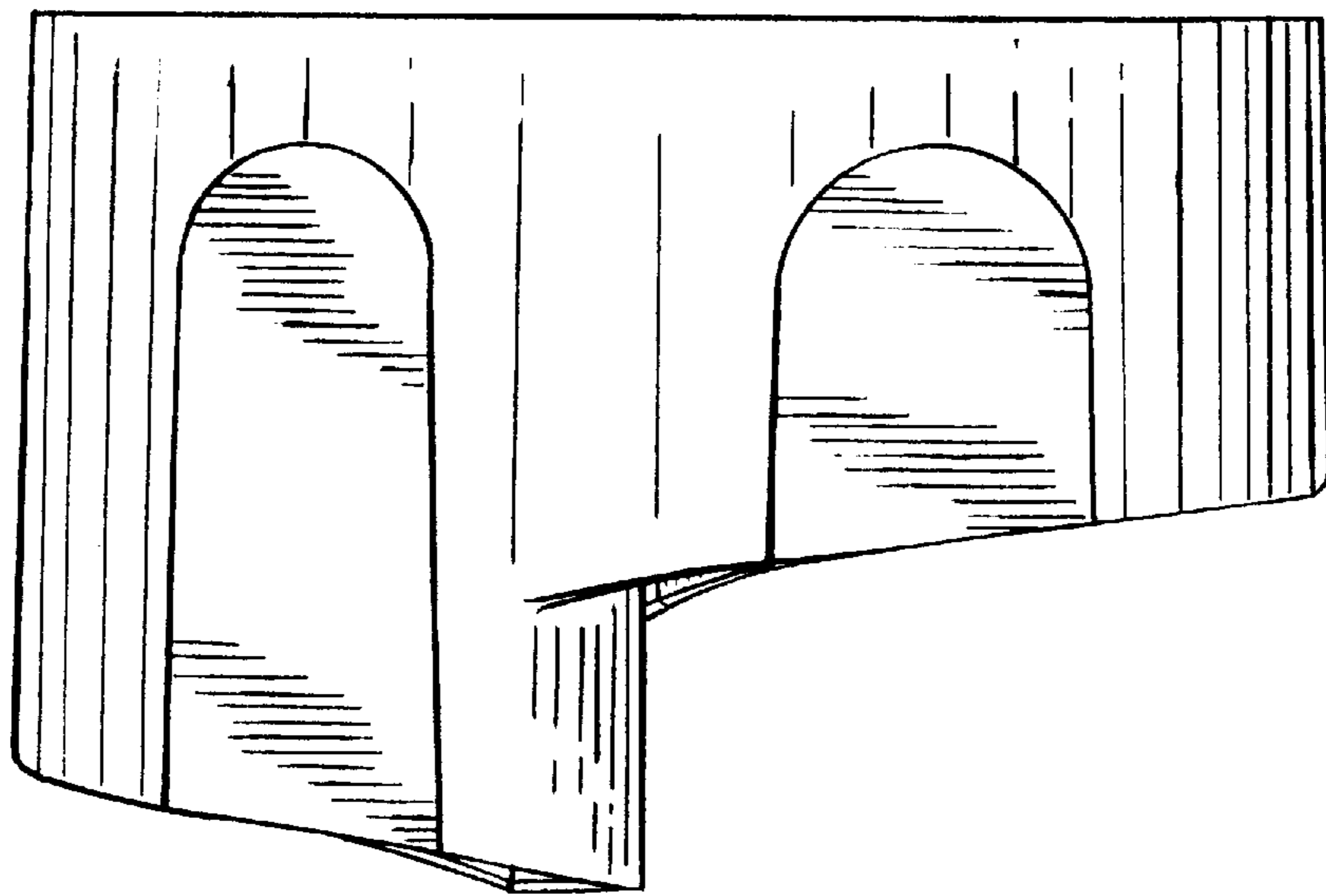


FIG. 7