



US00D402535S

**United States Patent** [19]  
**Wright**

[11] **Patent Number: Des. 402,535**

[45] **Date of Patent: \*\*Dec. 15, 1998**

[54] **GLASS BLOCK SPACER**

[76] Inventor: **Brian C. Wright**, 13433-228th St. SE.,  
Snohomish, Wash. 98290

[\*\*] Term: **14 Years**

[21] Appl. No.: **72,955**

[22] Filed: **Jun. 26, 1997**

[51] **LOC (6) Cl. .... 08-05**

[52] **U.S. Cl. .... D8/354**

[58] **Field of Search .... D25/119, 102,**  
**D25/122, 123; D8/354; 52/103**

[56] **References Cited**

**U.S. PATENT DOCUMENTS**

D. 294,867	3/1988	Meshulam	.....	D25/119
D. 323,896	2/1992	Alcazar	.....	D25/119 X
D. 346,032	4/1994	Colson	.....	D25/119
5,467,954	11/1995	Wekell	.....	248/246 X

*Primary Examiner*—Holly Baynham  
*Attorney, Agent, or Firm*—Lyon & Lyon LLP

[57] **CLAIM**

An ornamental design for a glass block spacer, as shown and described.

**DESCRIPTION**

FIG. 1 is a front perspective view of the glass block spacer showing my design in use;

FIG. 2 is a fragmentary perspective view of the glass block spacer of my design;

FIG. 3 is a fragmentary front elevational view thereof;

FIG. 4 is a fragmentary rear elevational view thereof;

FIG. 5 is a fragmentary right side elevational view thereof;

FIG. 6 is a fragmentary left side elevational view thereof;

FIG. 7 is a top plan view thereof; and,

FIG. 8 is a bottom plan view thereof.

The undisclosed opposite end is identical in appearance to the end shown as FIG. 2. It is shown broken away for clarity of illustration and to indicate indeterminate length.

The broken line showing of glass block and additional spacers are for illustrative purposes only and form no part of the claimed design.

**1 Claim, 2 Drawing Sheets**

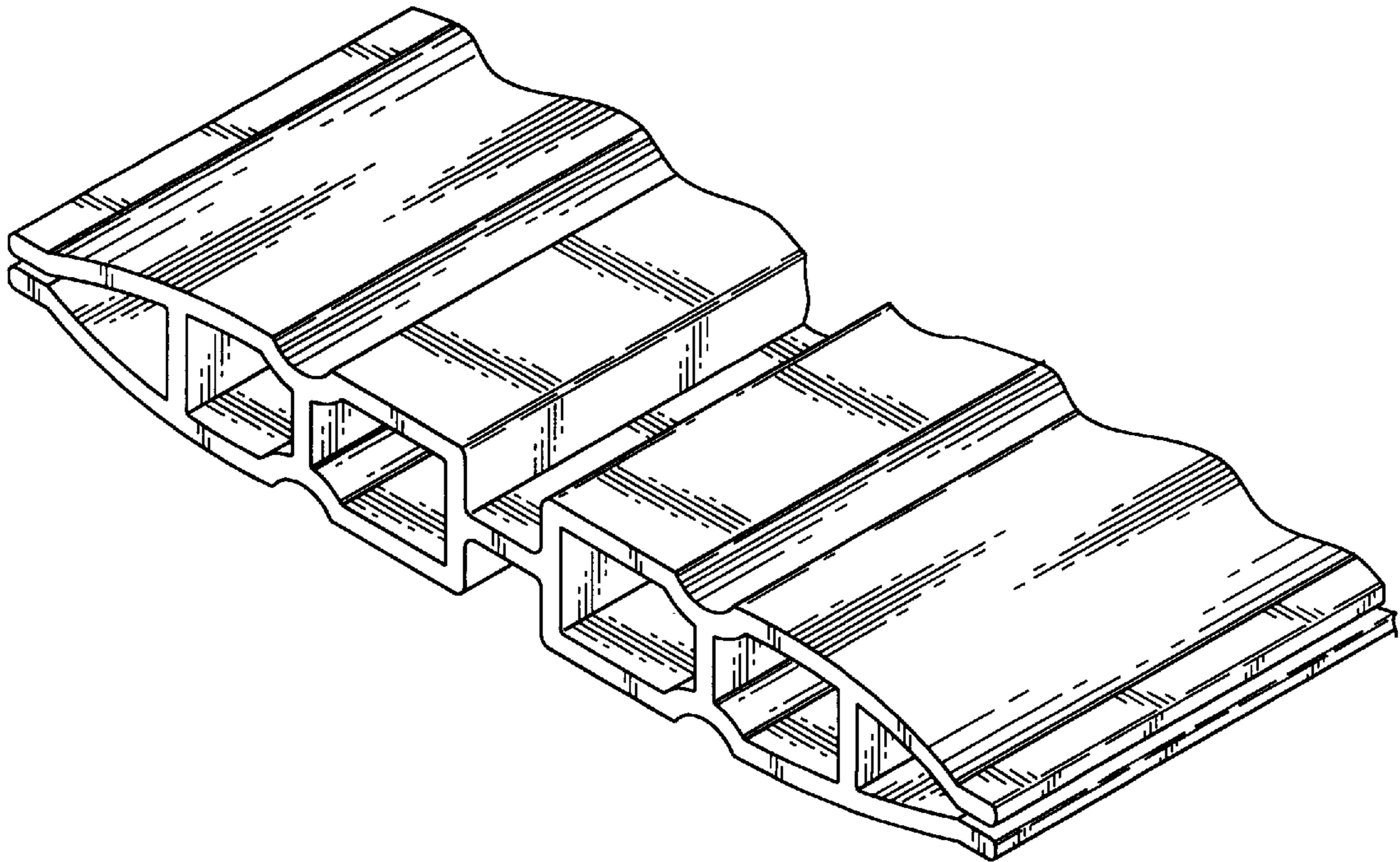


FIG. 1

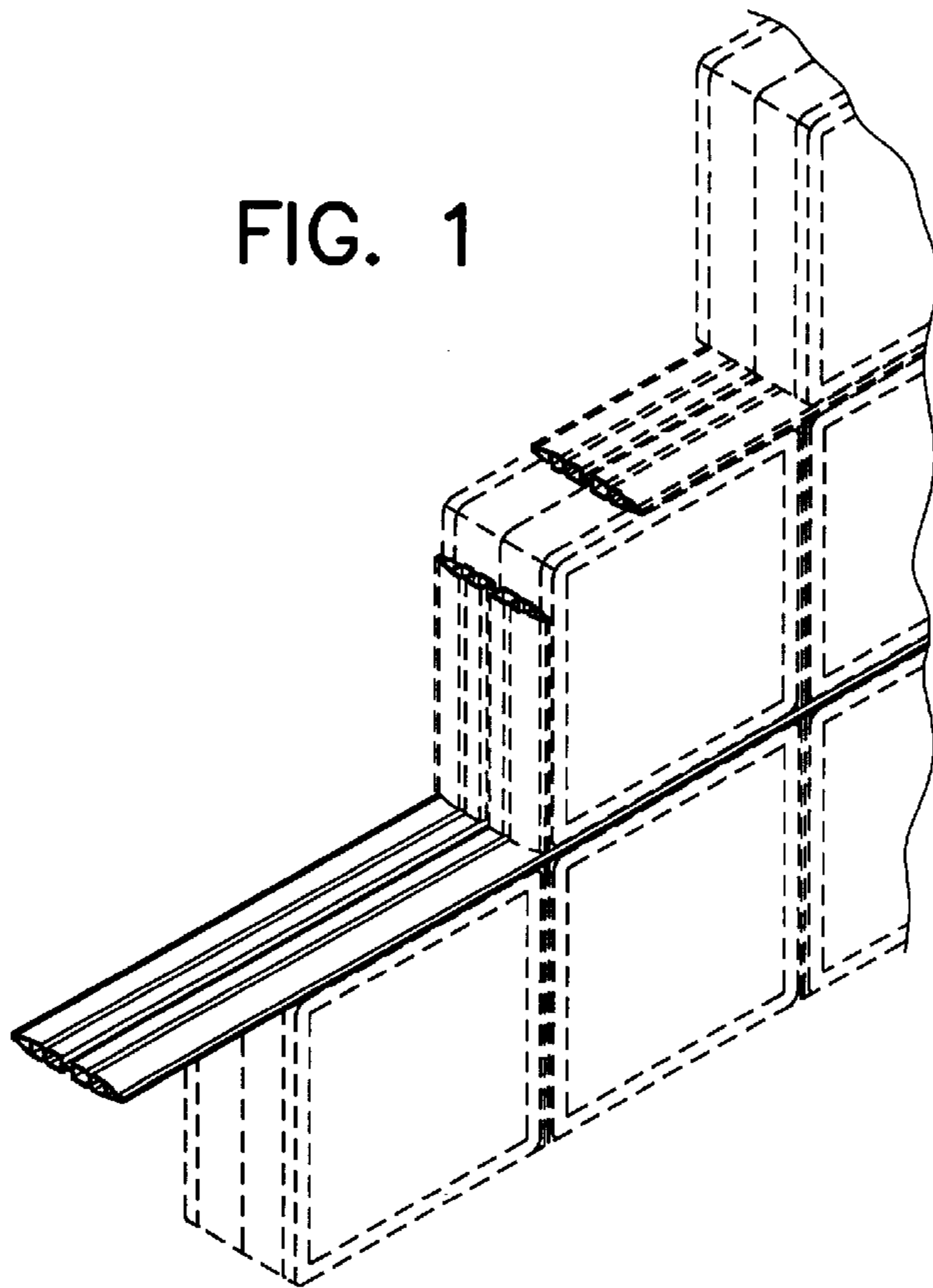


FIG. 2

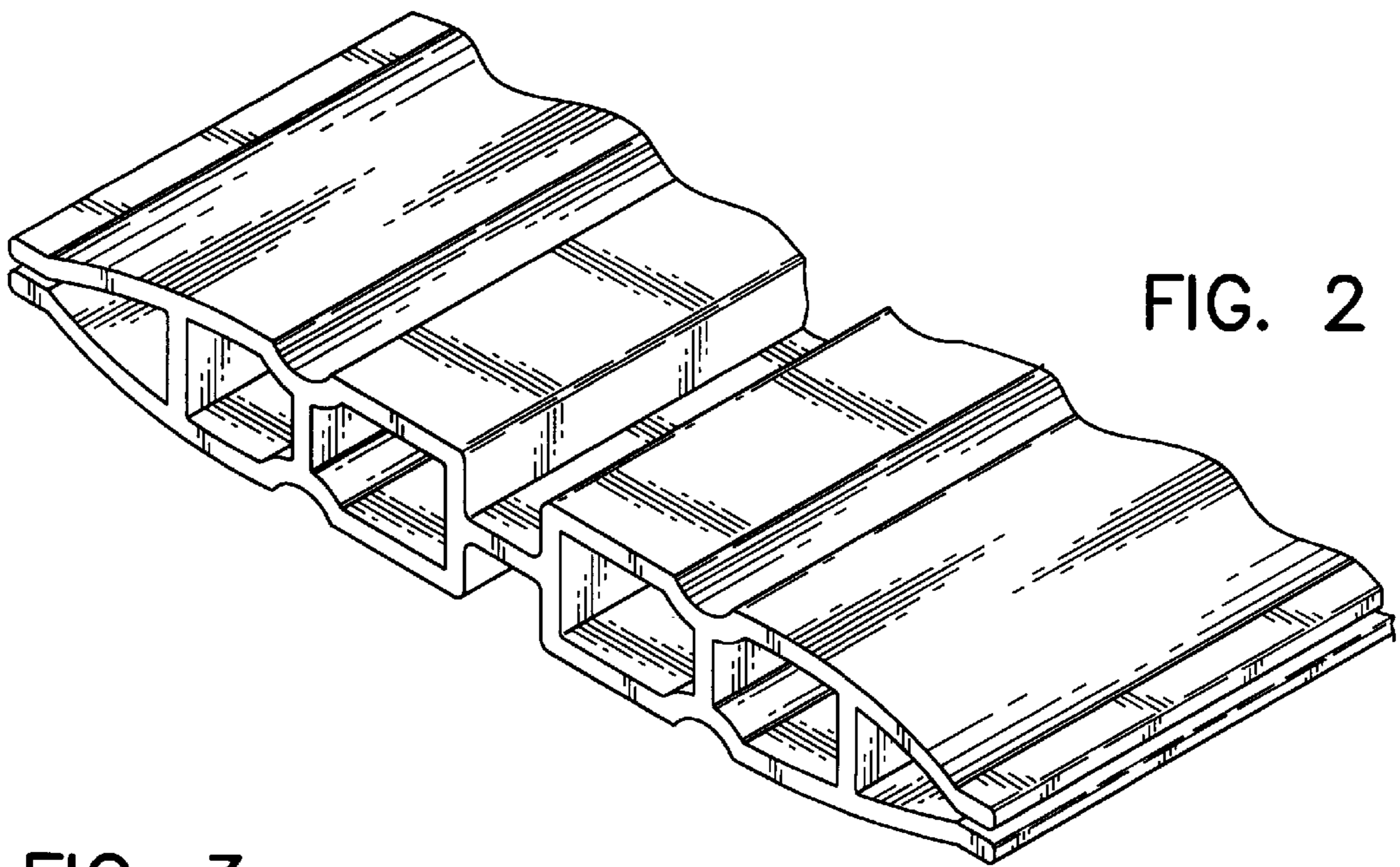


FIG. 3

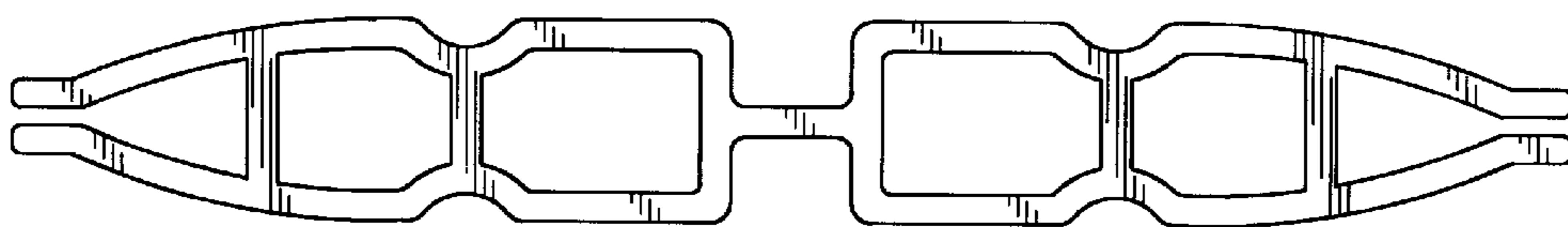


FIG. 4

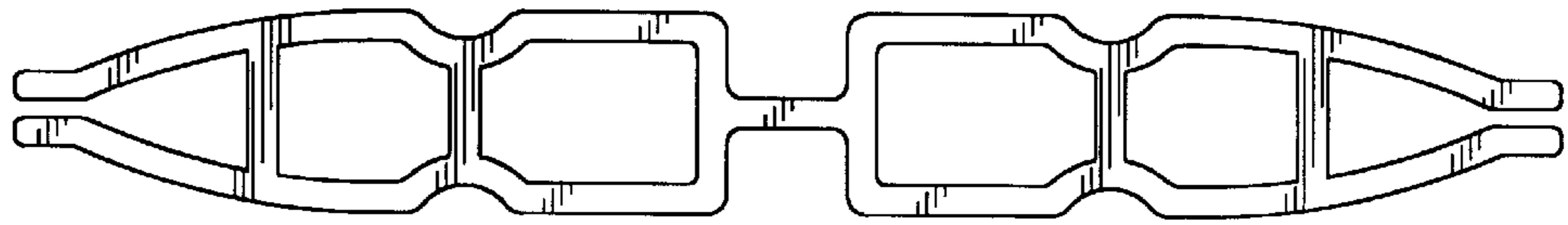


FIG. 5

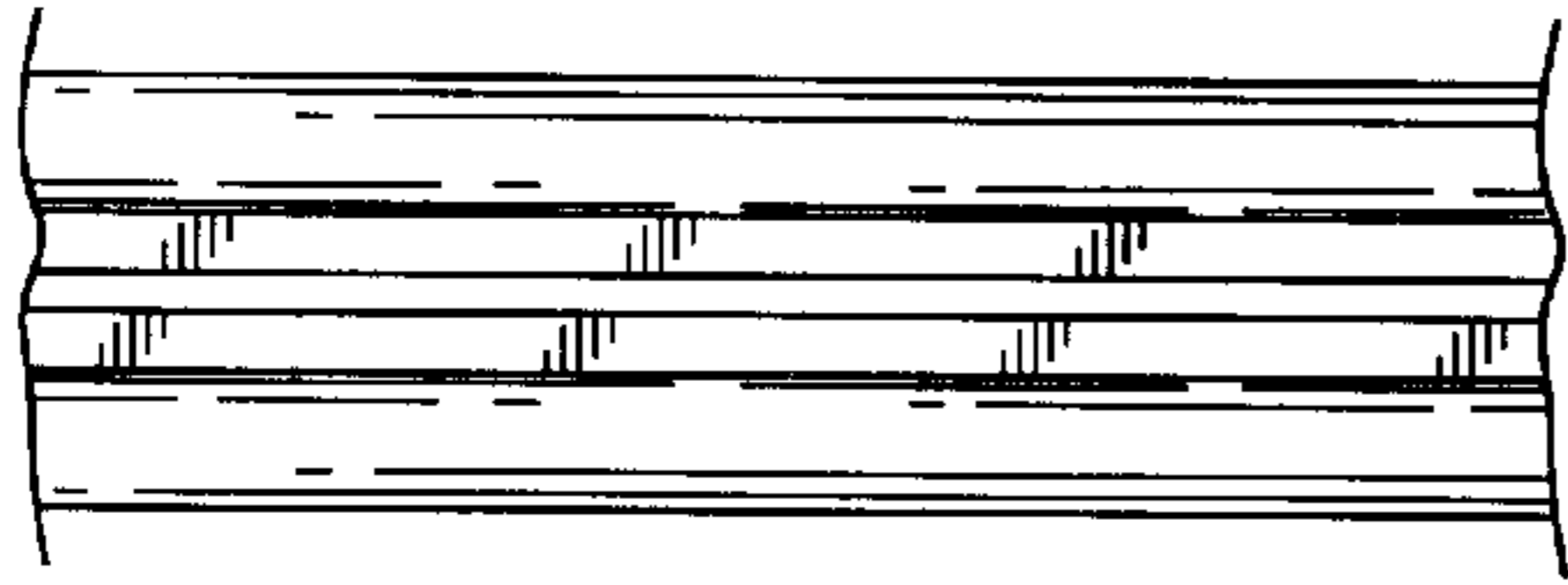


FIG. 6

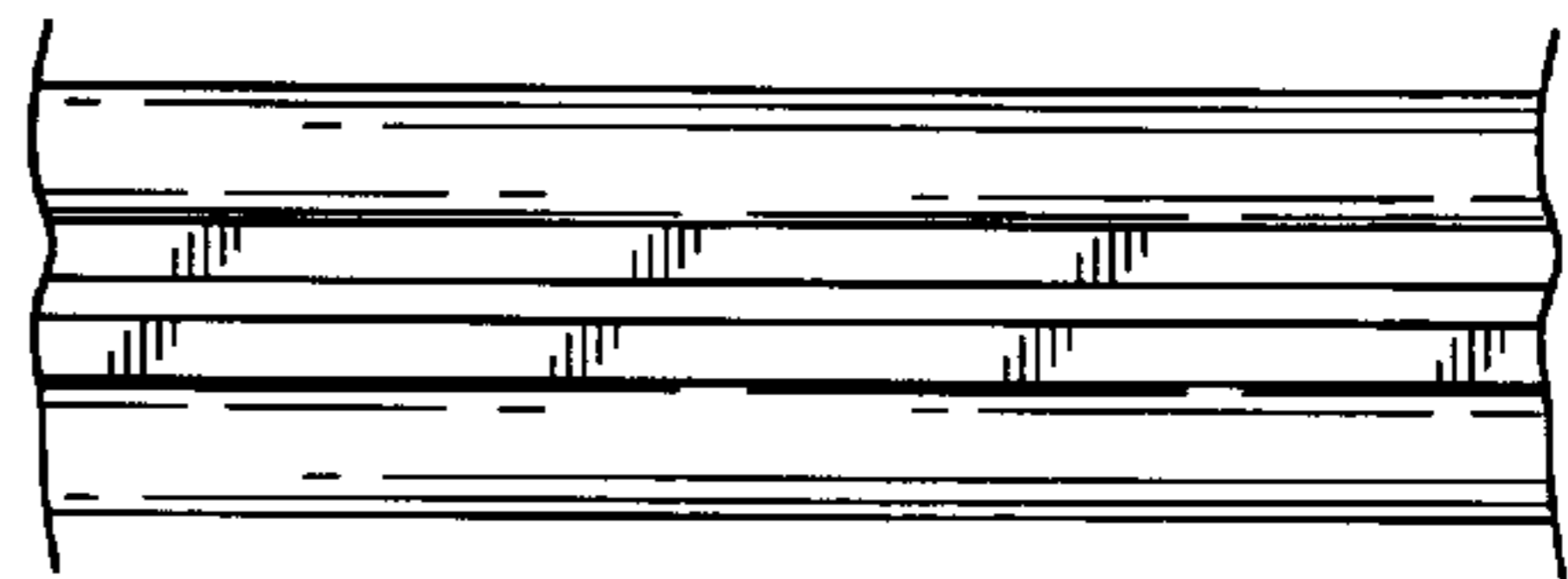


FIG. 7

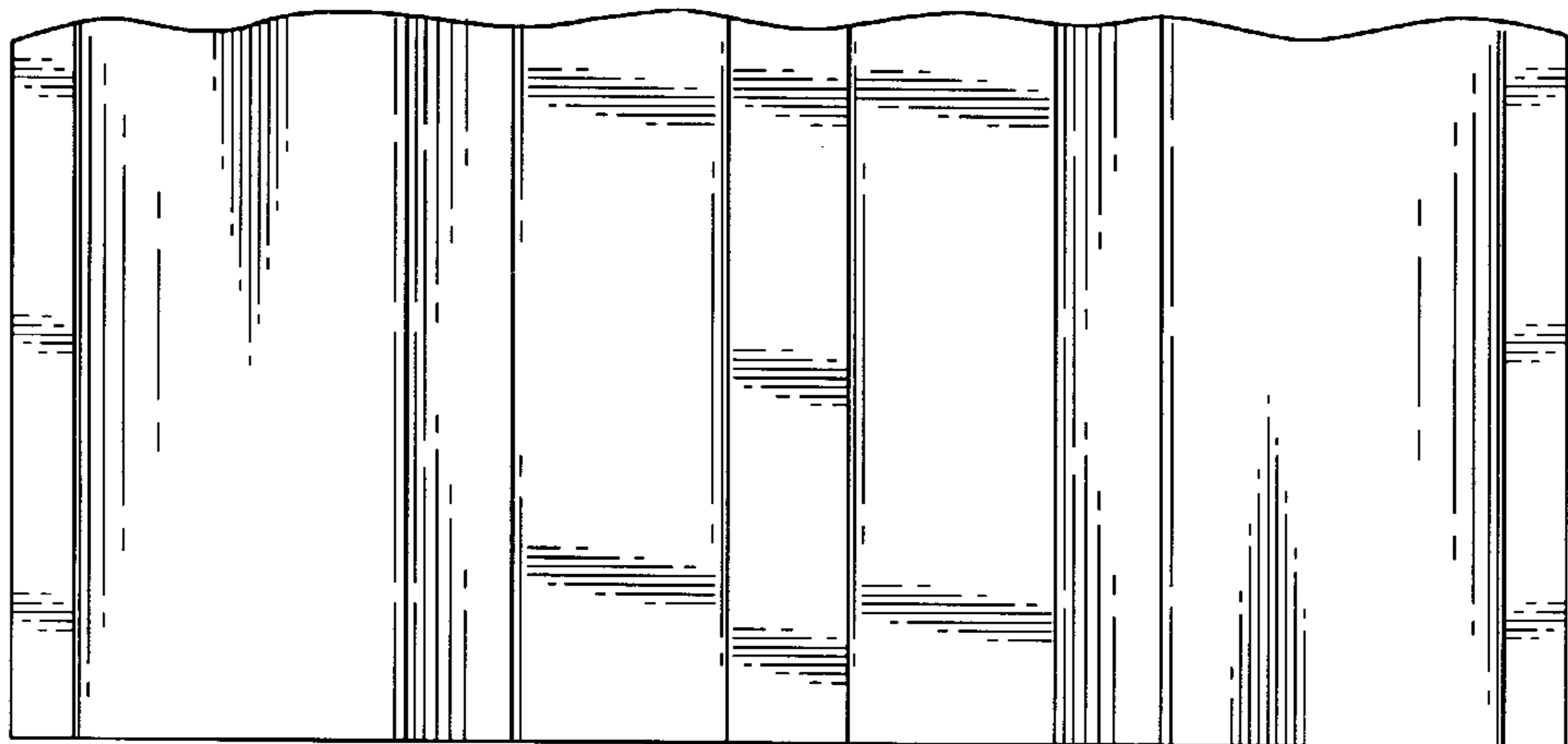


FIG. 8

